



US00D711747S

(12) **United States Design Patent**
Lloyd

(10) **Patent No.:** **US D711,747 S**

(45) **Date of Patent:** **** Aug. 26, 2014**

(54) **FRAGRANCE BOTTLE CAP**

D639,667 S * 6/2011 Bogert et al. D9/544
D646,581 S * 10/2011 Baron D9/435
D654,369 S * 2/2012 Del Cerro et al. D9/635

(71) Applicant: **Kate Spade LLC**, New York, NY (US)

* cited by examiner

(72) Inventor: **Deborah Lloyd**, Brooklyn, NY (US)

Primary Examiner — Sandra Morris

(**) Term: **14 Years**

(74) *Attorney, Agent, or Firm* — Norvell IP llc; Shyla Jones

(21) Appl. No.: **29/449,977**

(57) **CLAIM**

(22) Filed: **Mar. 15, 2013**

I claim the ornamental design for the fragrance bottle cap, as shown and described.

(51) **LOC (10) Cl.** **09-07**

DESCRIPTION

(52) **U.S. Cl.**
USPC **D9/451**; D9/635

(58) **Field of Classification Search**
USPC D7/514–520, 613, 619.2, 623, 628,
D7/392.1; D9/600, 635, 500–504,
D9/516.519, 544–546, 549, 434–435,
D9/439–441, 444–447, 450–451, 454;
206/494, 457, 459.1, 459.5; 215/230,
215/400

FIG. 1 is a perspective view of a first embodiment of the fragrance bottle cap of the present invention.
FIG. 2 is a front view of the invention shown in FIG. 1.
FIG. 3 is a rear view of the invention shown in FIG. 1.
FIG. 4 is a first side view of the invention shown in FIG. 1.
FIG. 5 is a second side view of the invention shown in FIG. 1.
FIG. 6 is a top view of the invention shown in FIG. 1.
FIG. 7 is a bottom view of the invention shown in FIG. 1.
FIG. 8 is a perspective view of a second embodiment of the fragrance bottle cap of the present invention.
FIG. 9 is a front view of the invention shown in FIG. 8.
FIG. 10 is a rear view of the invention shown in FIG. 8.
FIG. 11 is a first side view of the invention shown in FIG. 8.
FIG. 12 is a second side view of the invention shown in FIG. 8.

See application file for complete search history.

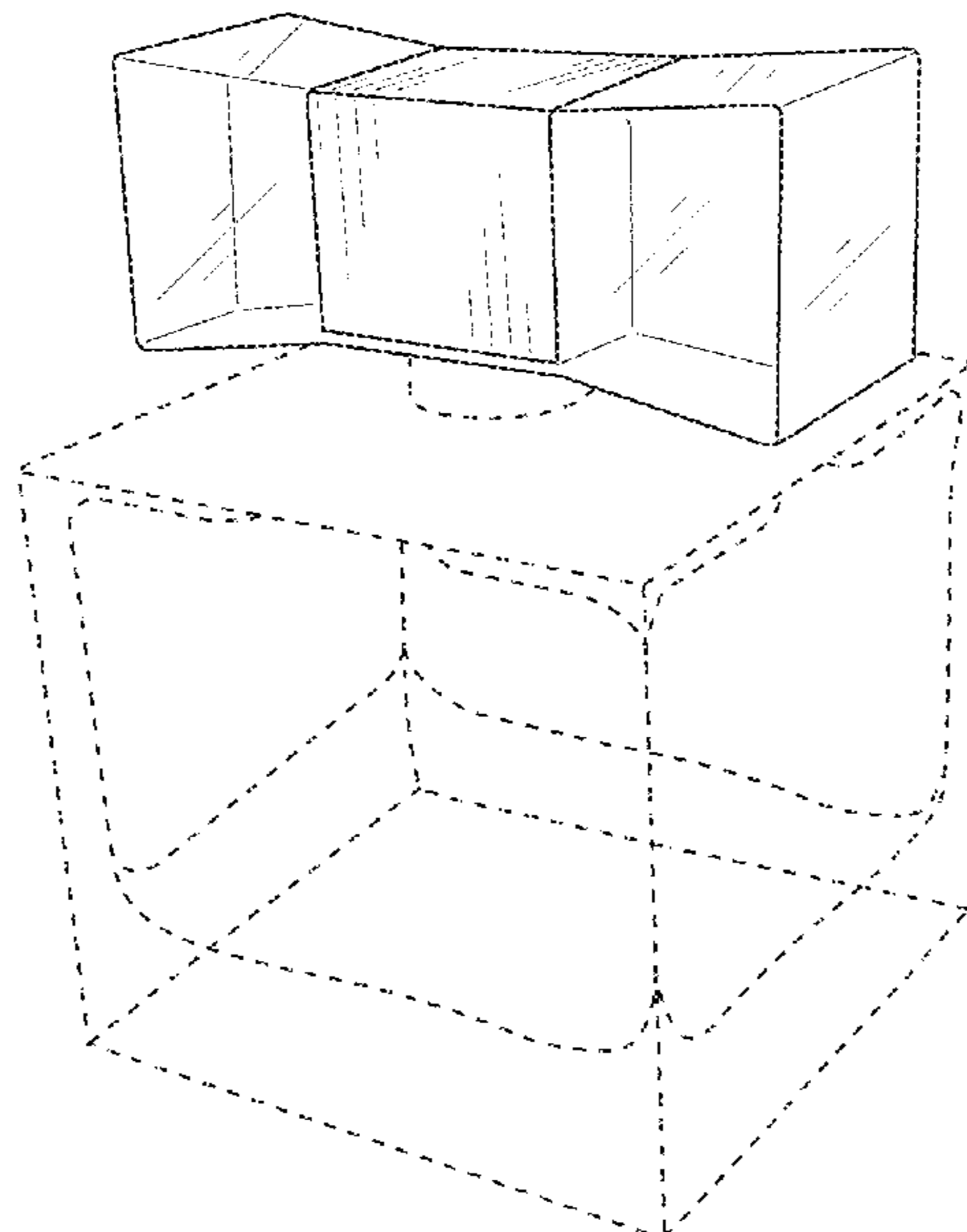
(56) **References Cited**

U.S. PATENT DOCUMENTS

D125,899 S * 3/1941 McIntosh D9/635
D134,427 S * 11/1942 McIntosh D9/451
D235,735 S * 7/1975 Dinand D9/544
D244,749 S * 6/1977 Hodges D9/635
D320,675 S * 10/1991 Carranza D9/451
D336,036 S * 6/1993 Wacker D9/635
D422,507 S * 4/2000 Luzzi et al. D9/544
D542,670 S * 5/2007 Herrmann D9/544
D620,804 S * 8/2010 Bogert et al. D9/544
D622,142 S * 8/2010 de France D9/441

FIG. 13 is a top view of the invention shown in FIG. 8; and, FIG. 14 is a bottom view of the invention shown in FIG. 8.
The ornamental design which is claimed is shown in the solid lines in the drawings. The broken lines in the drawings are for illustrative purposes only and form no part of the claimed design.

1 Claim, 14 Drawing Sheets



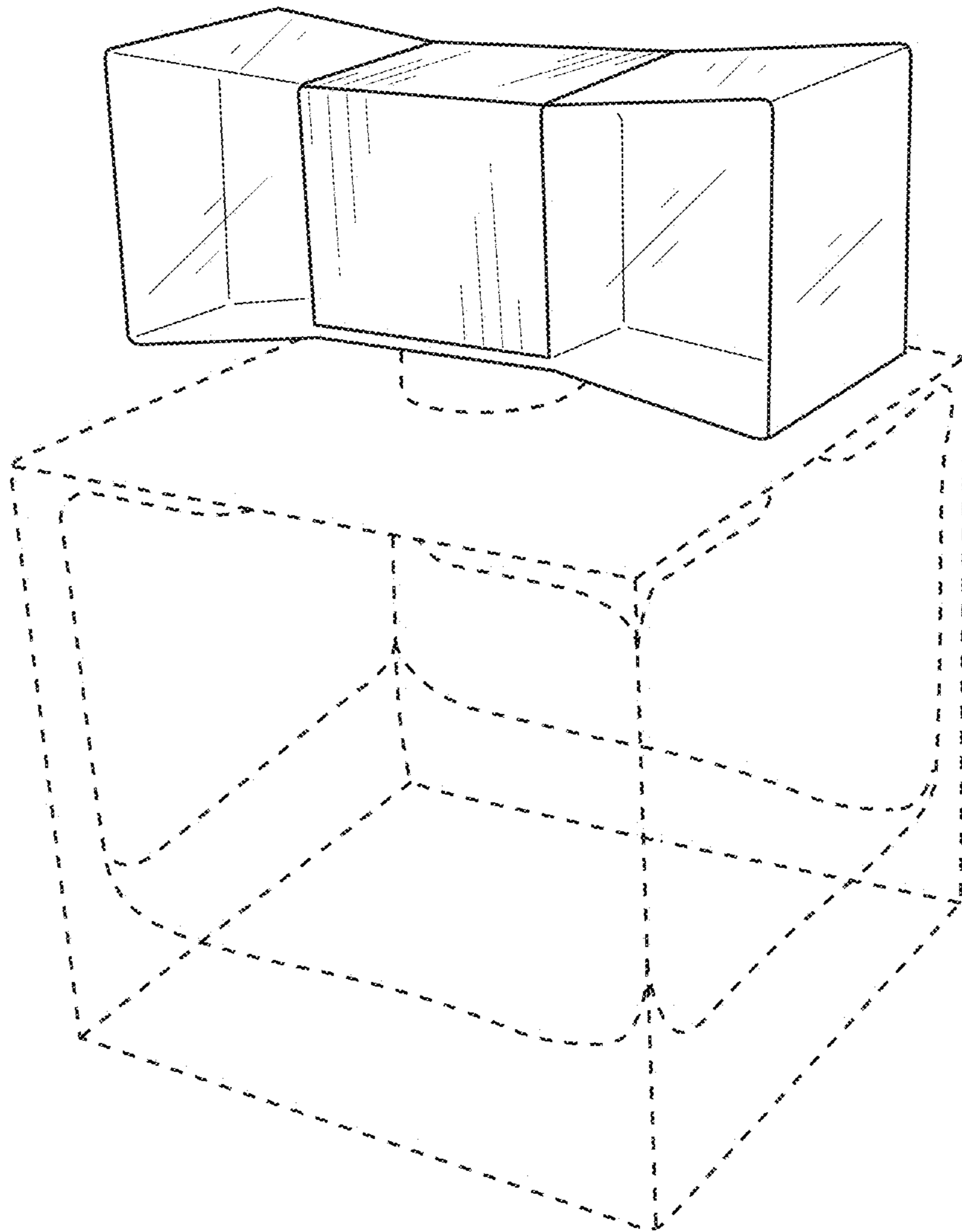


FIG. 1

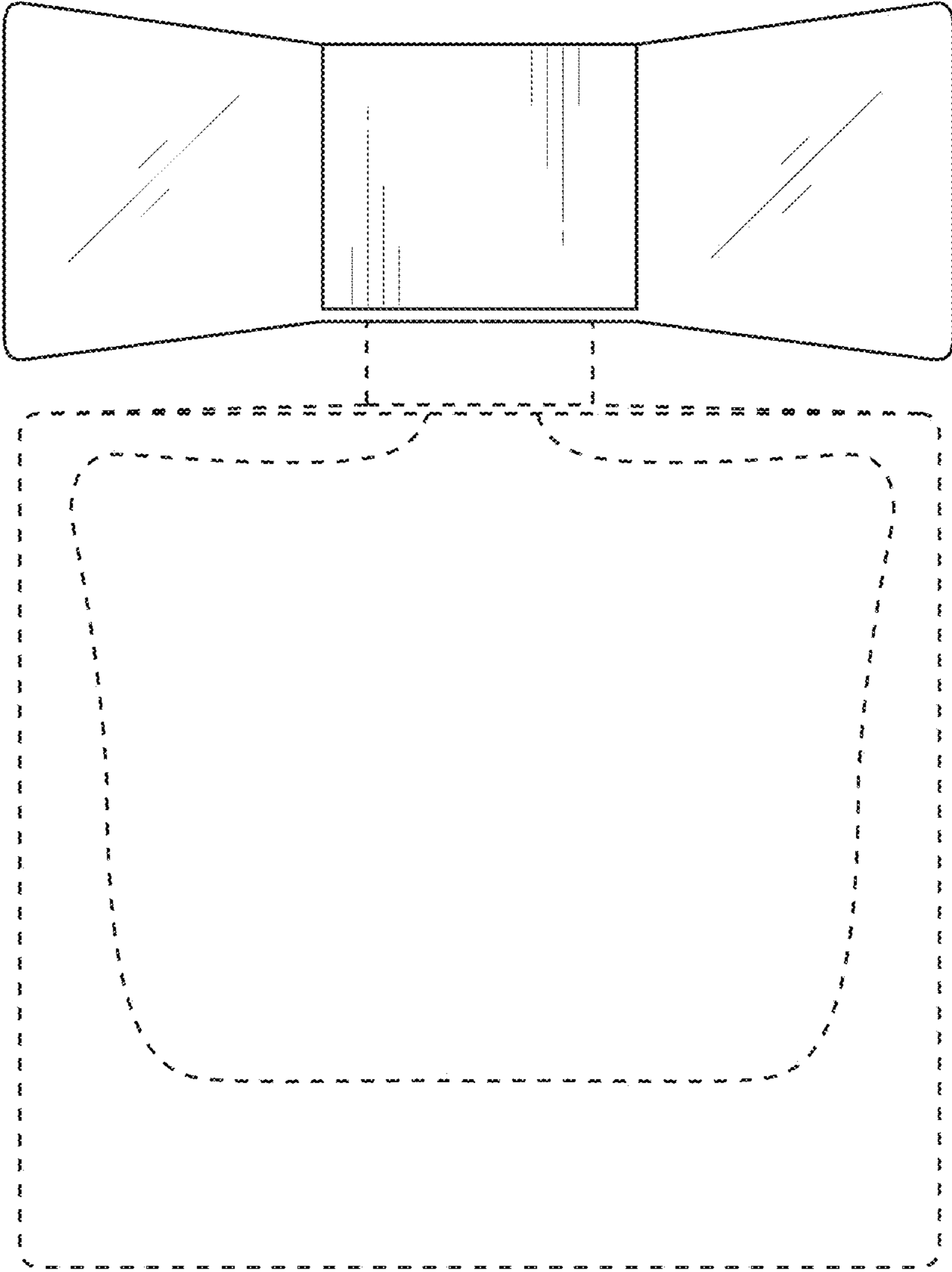


FIG. 2

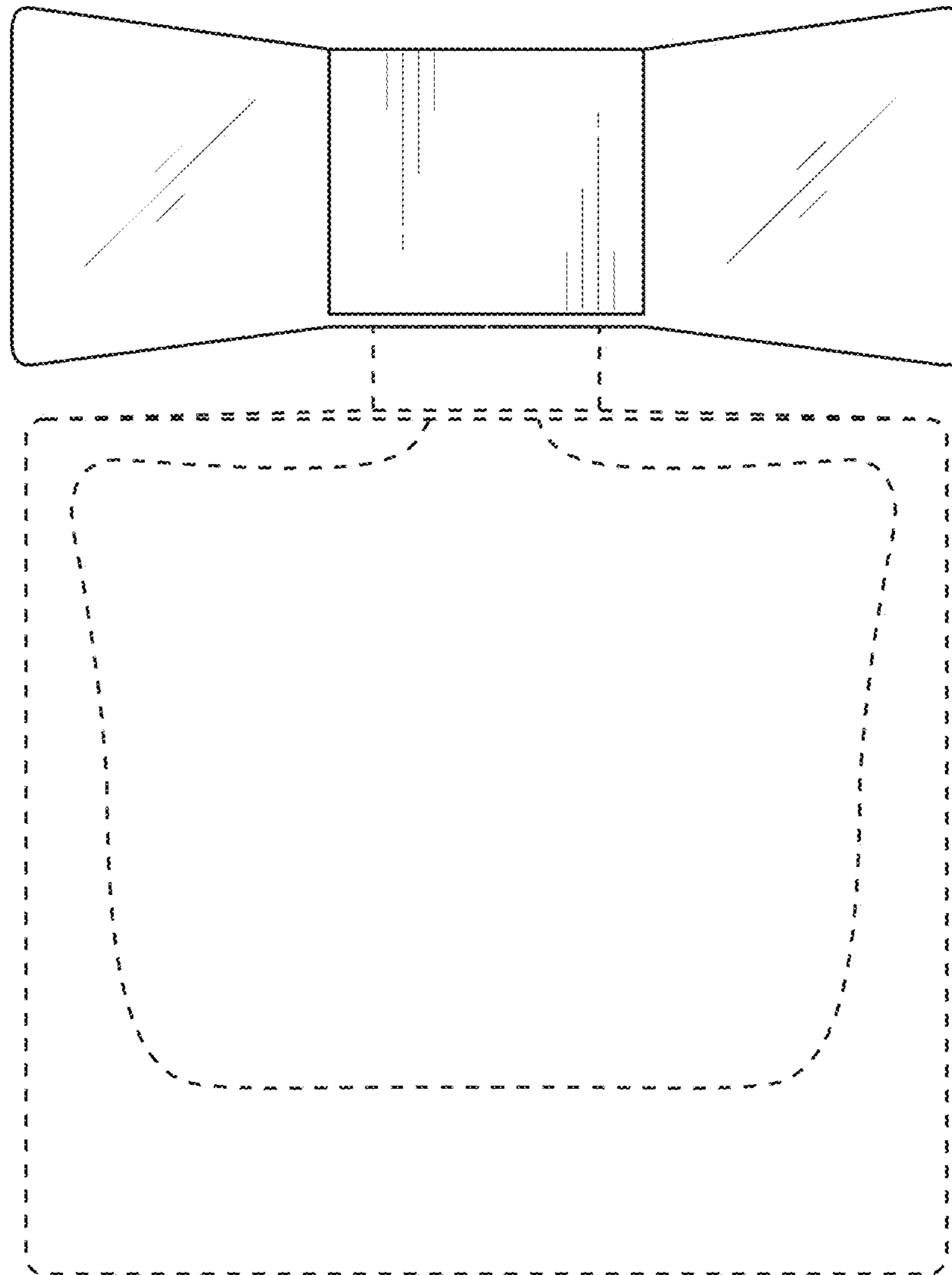


FIG. 3

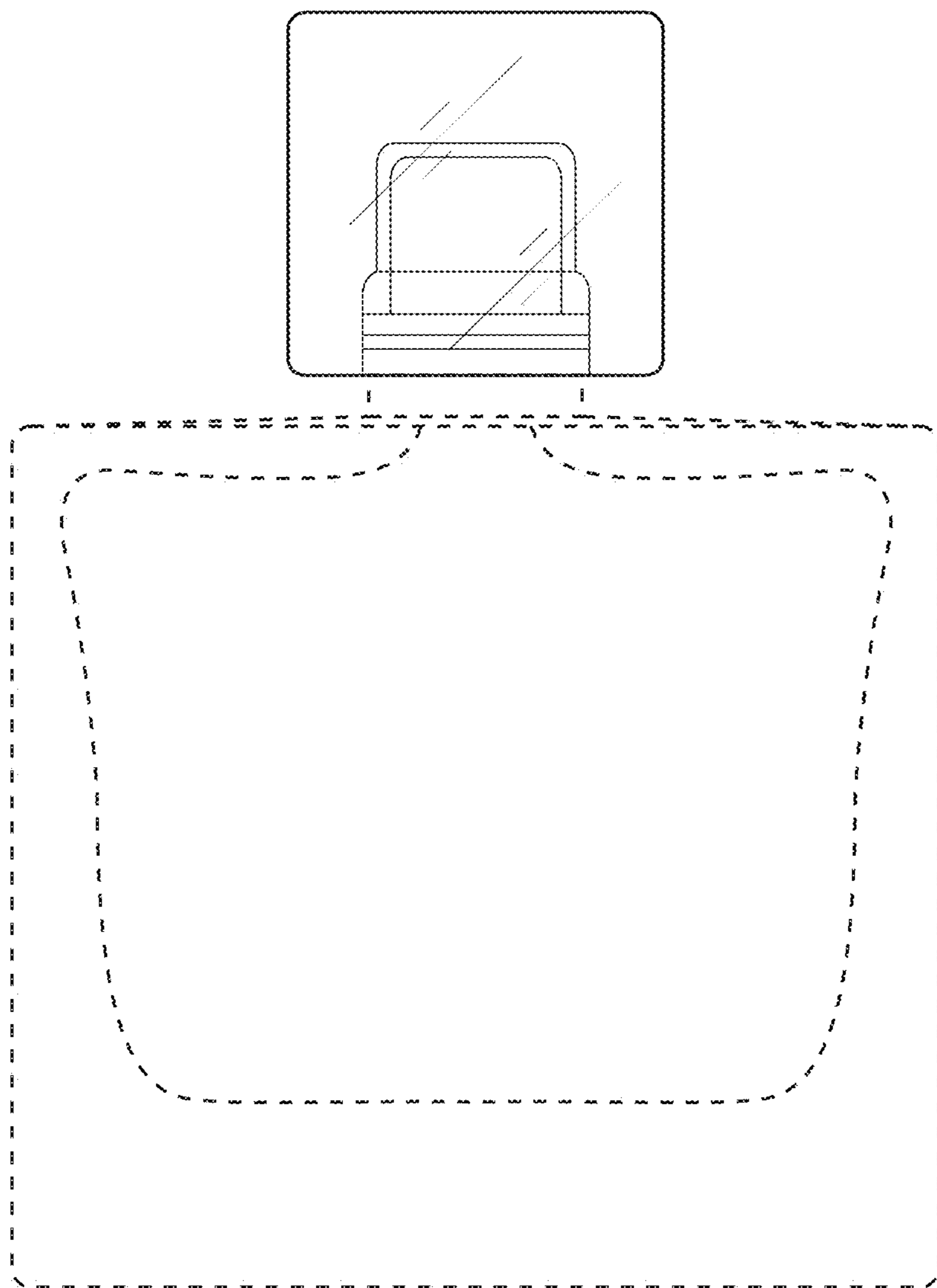


FIG. 4

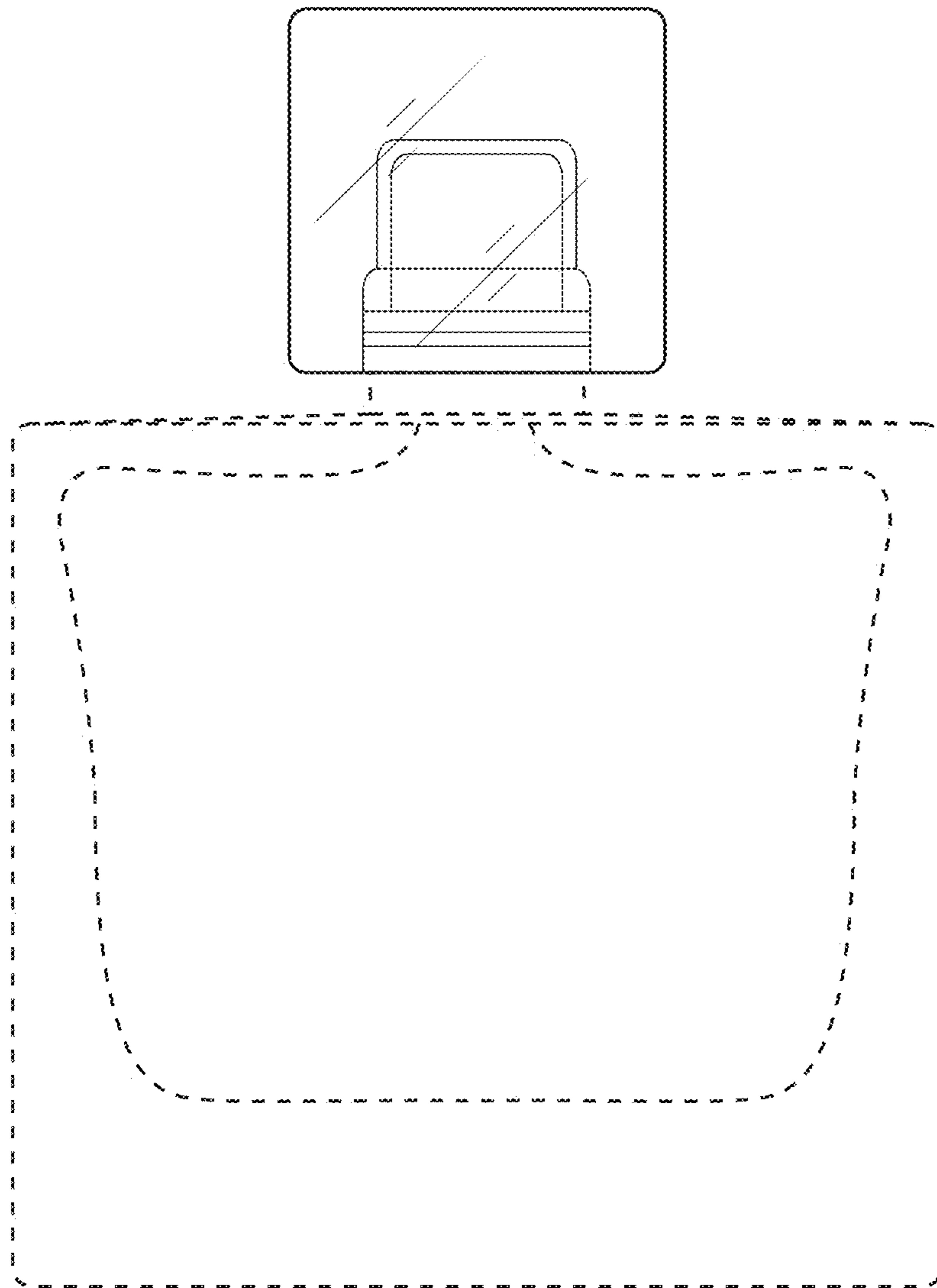


FIG. 5

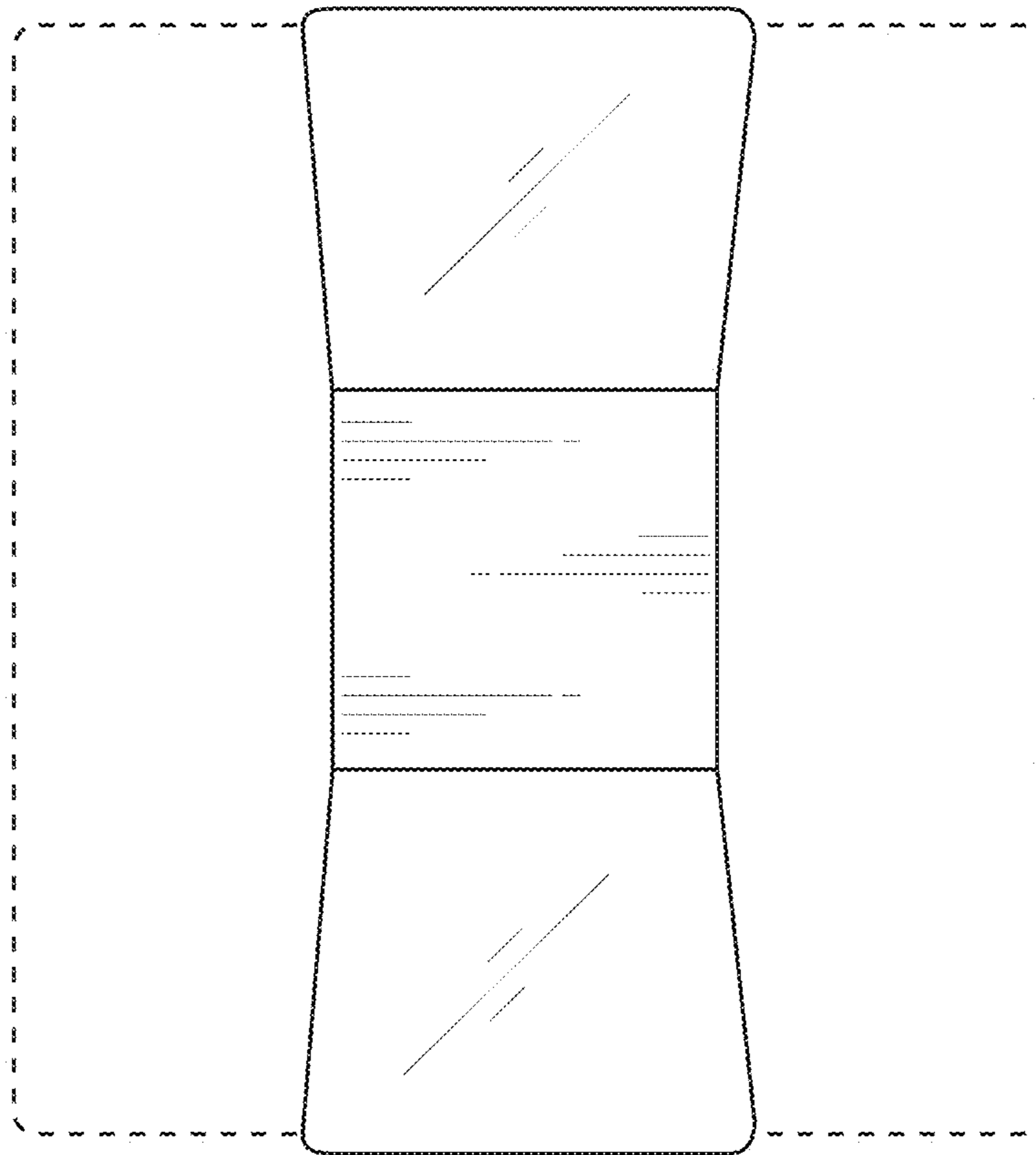


FIG. 6

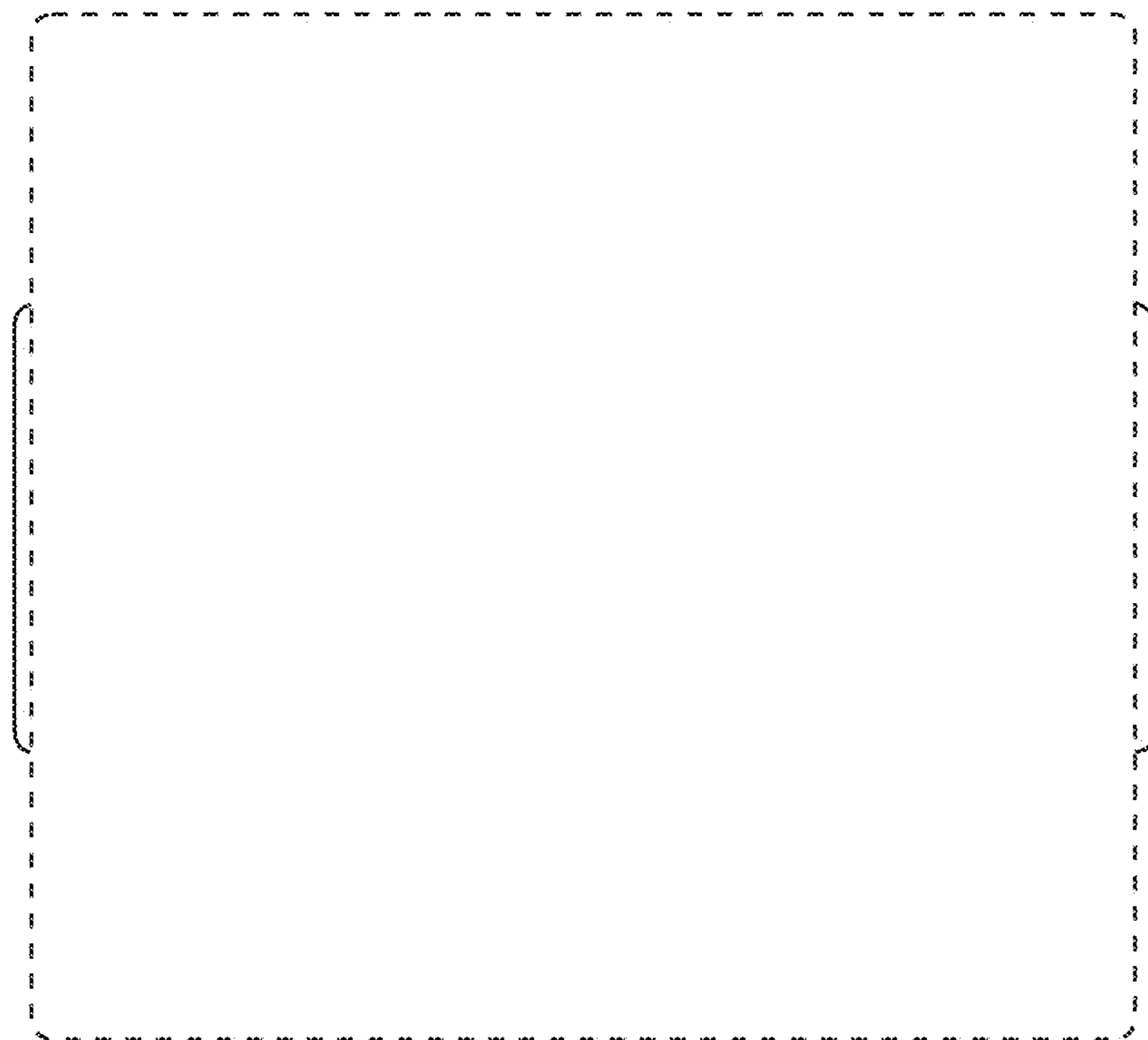


FIG. 7

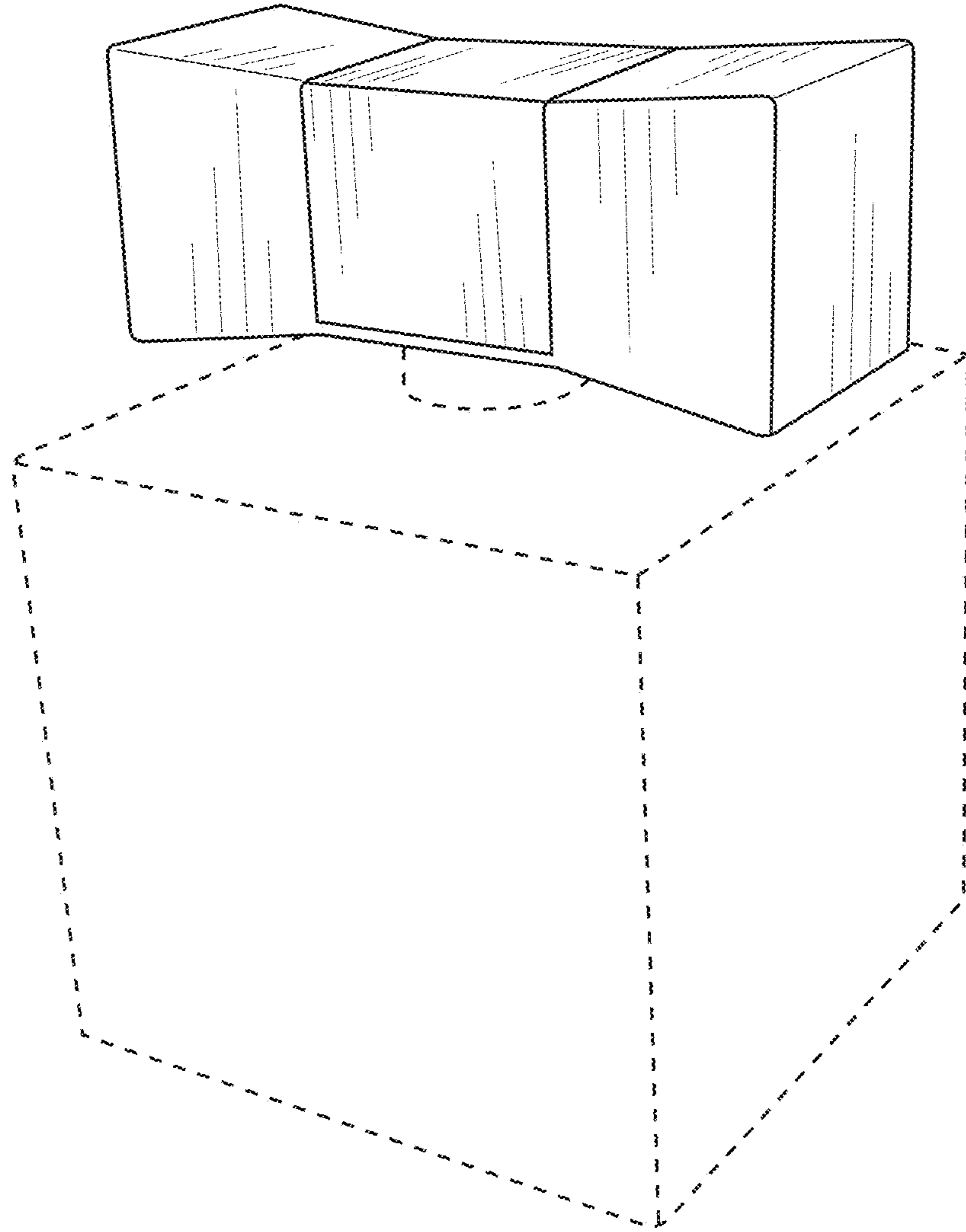


FIG. 8

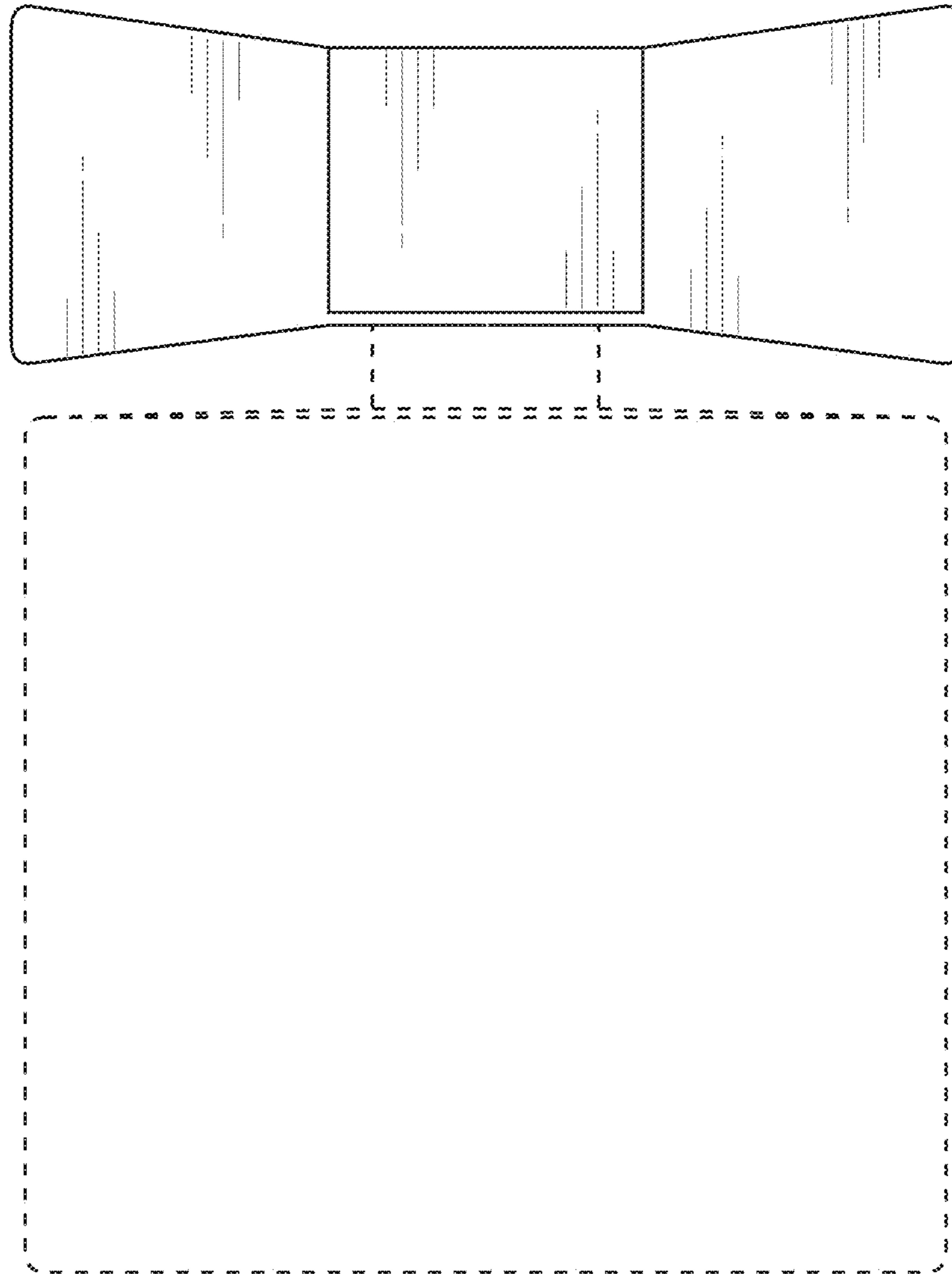


FIG. 9

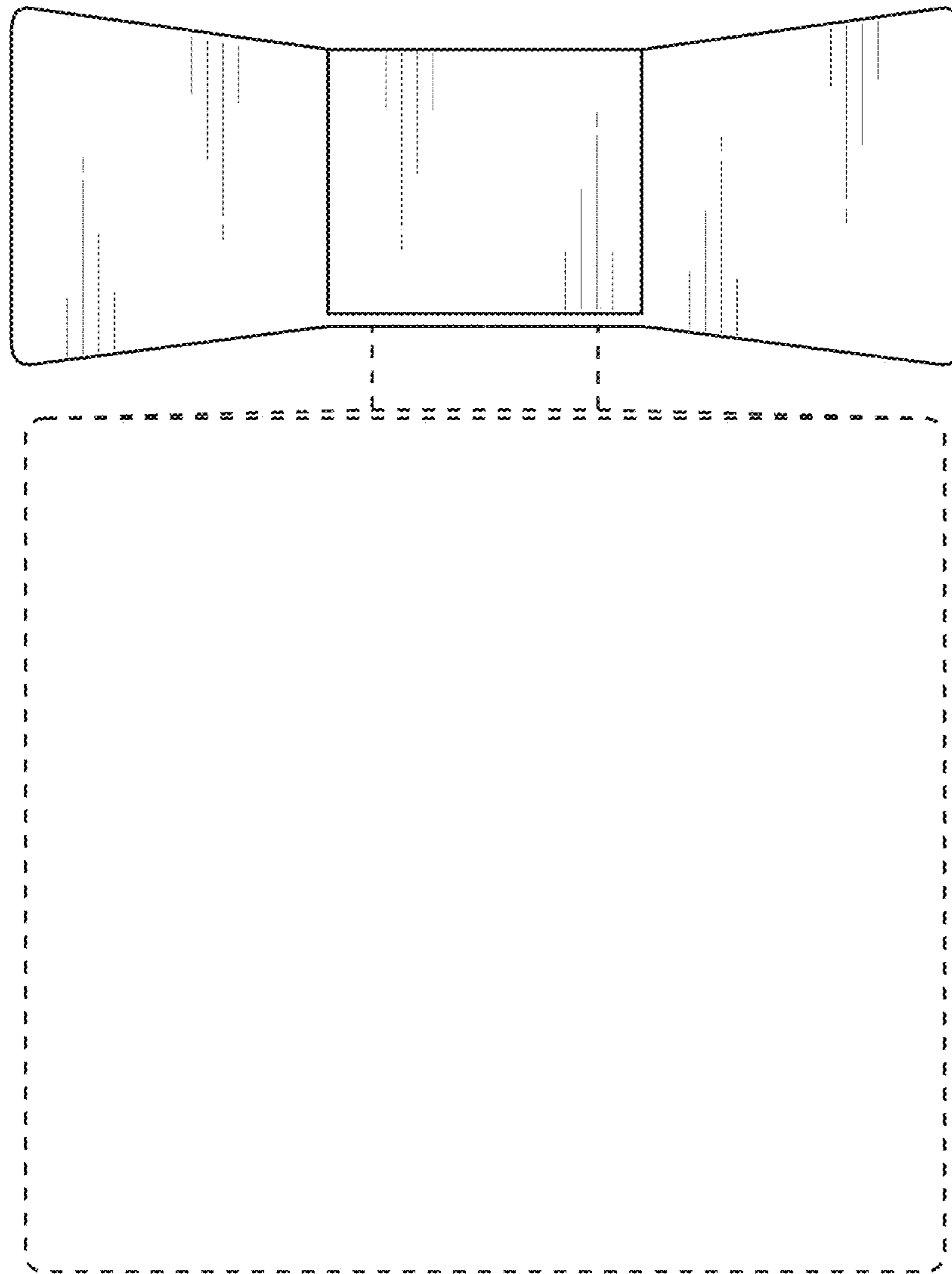


FIG. 10

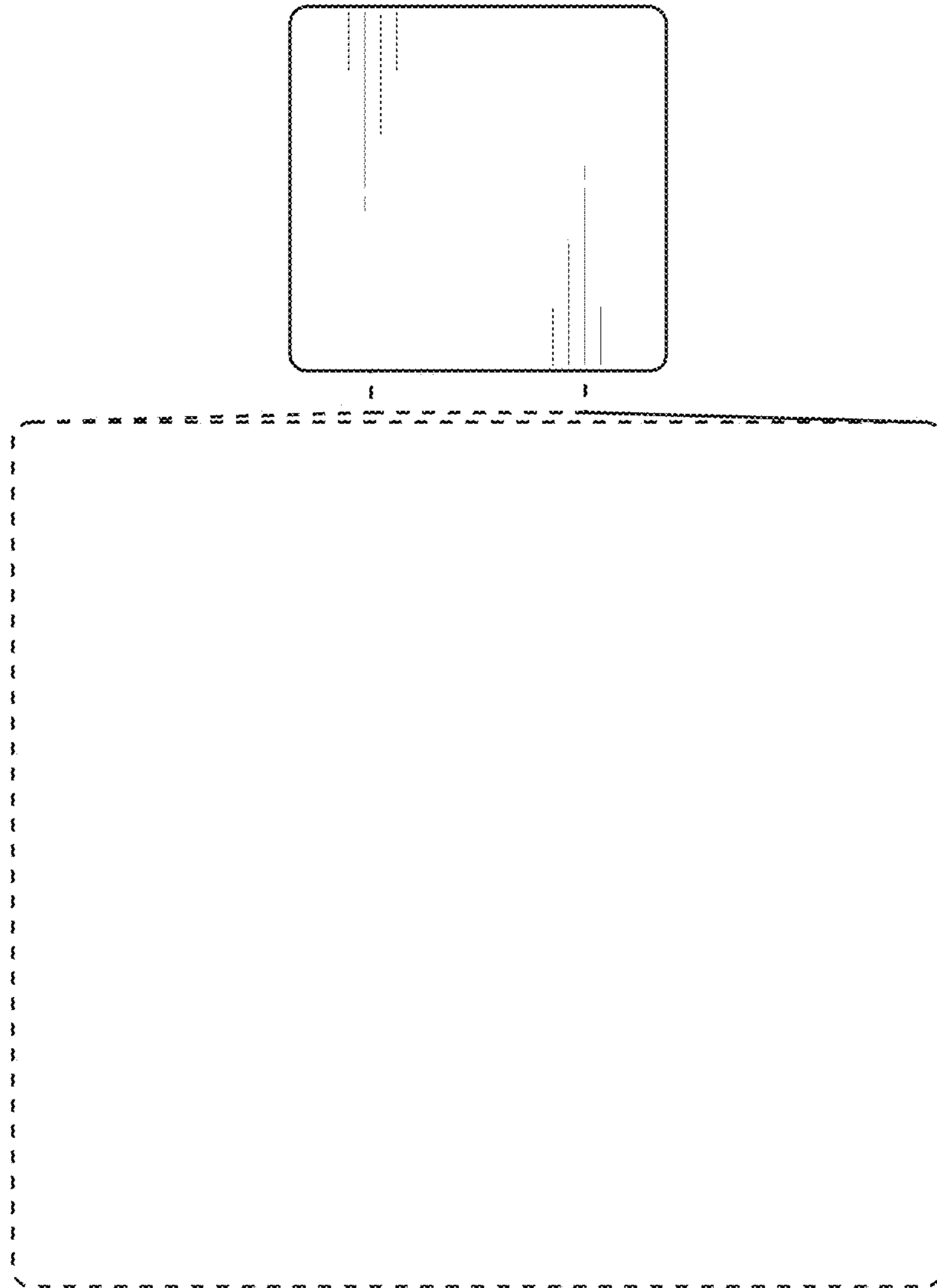


FIG. 11

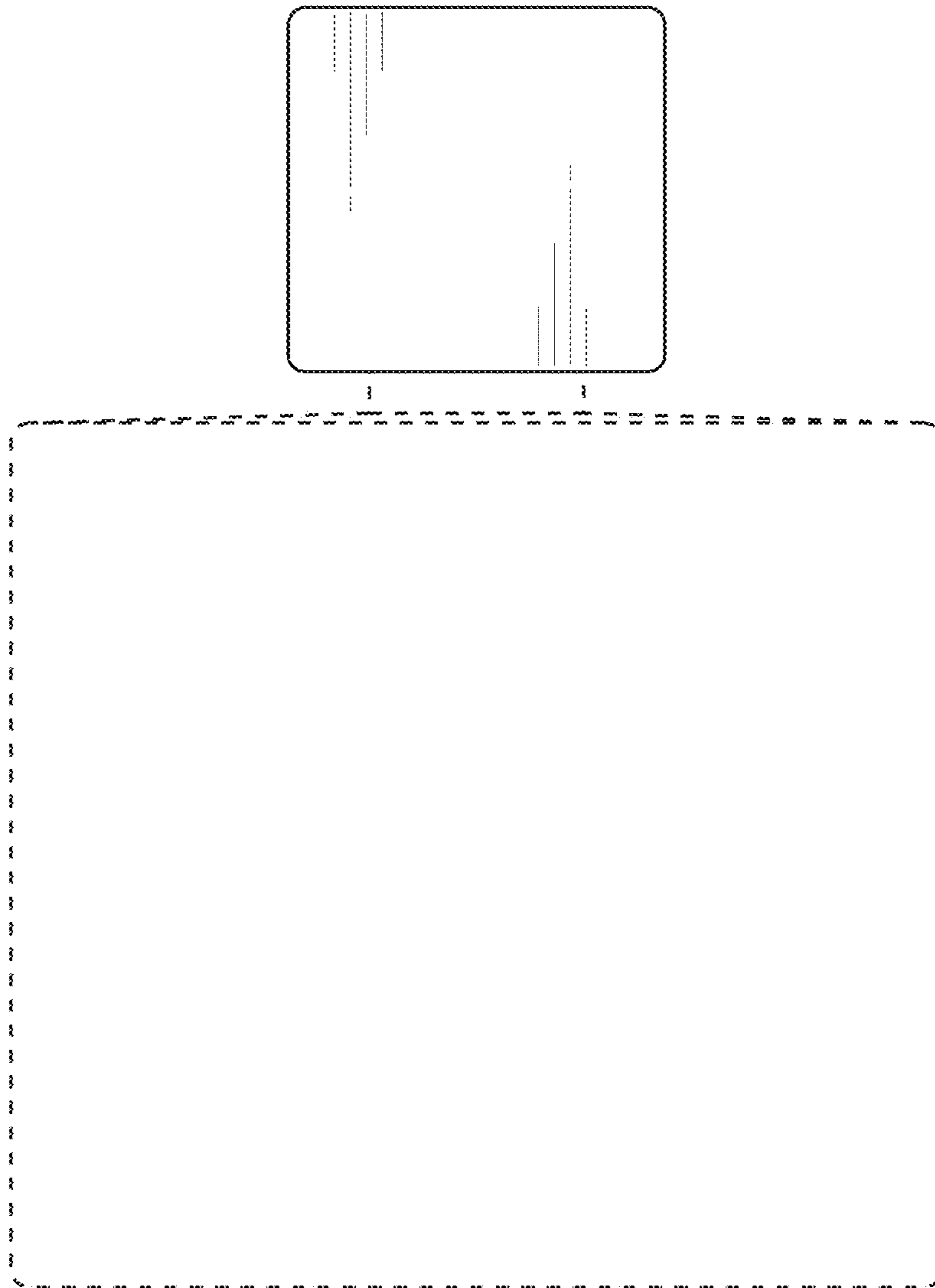


FIG. 12

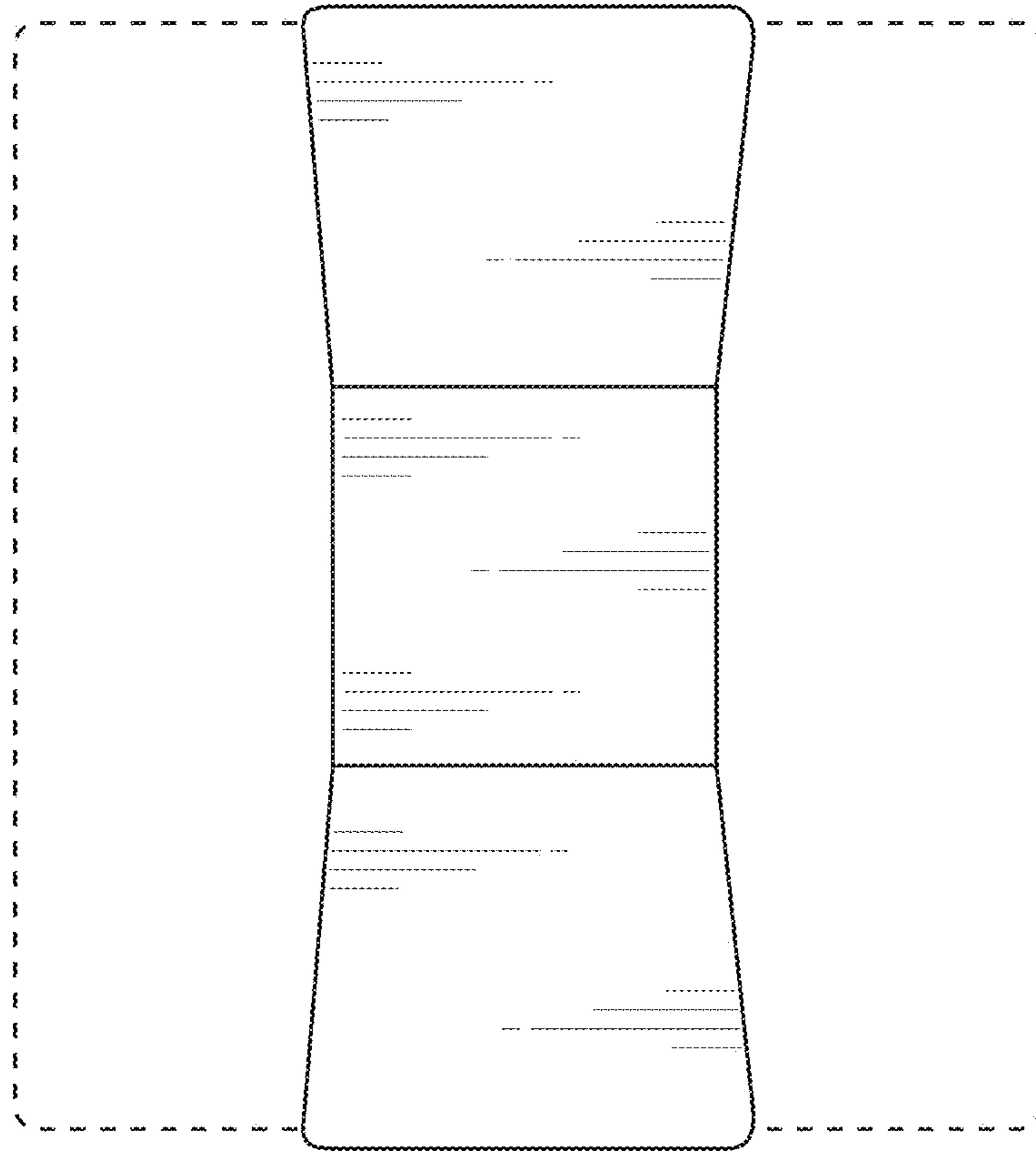


FIG. 13



FIG 14