



US00D711746S

(12) **United States Design Patent**
Humm et al.

(10) **Patent No.:** **US D711,746 S**
(45) **Date of Patent:** **** Aug. 26, 2014**

(54) **TOBACCO BOX**

(71) Applicants: **British American Tobacco (Investments) Limited**, London (GB); **British American Tobacco (Holdings) Limited**, London (GB)

(72) Inventors: **Stuart Humm**, London (GB); **Warren Keefe**, London (GB); **Paul Gibson**, London (GB)

(73) Assignees: **British American Tobacco (Investments) Limited**, London (GB); **British-American Tobacco (Holdings) Limited**, London (GB)

(**) Term: **14 Years**

(21) Appl. No.: **29/471,459**

(22) Filed: **Oct. 31, 2013**

Related U.S. Application Data

(62) Division of application No. 29/394,676, filed on Jun. 20, 2011.

(30) **Foreign Application Priority Data**

Dec. 20, 2010 (EM) 001796038

(51) **LOC (10) Cl.** **09-07**

(52) **U.S. Cl.**
USPC **D9/449**

(58) **Field of Classification Search**

CPC B65D 39/00; B65D 39/16; B65D 43/08; B65D 43/16; B65D 43/163; B65D 45/00; B65D 45/16; B65D 45/18; B65D 45/30; B65D 45/305; B65D 51/00; B65D 51/60
USPC D9/414, 416, 424, 428, 434-435, 443, D9/446-447, 449, 454, 500, 504-505, 516, D9/549, 558, 575, 715, 721, 763, 772, D9/779-780, 420, 422-423; D1/105; D3/203.2, 203.3, 203.4; D27/102, 133,

D27/172, 183, 186, 189-190; D28/78, 82; 215/236-237, 258, 363; 220/316, 324, 220/810, 820, 833, 836-837, 345.1, 345.2, 220/796, 801, 805; 206/236, 242, 265, 266, 206/268, 270; 229/87.14

See application file for complete search history.

(56) **References Cited**

U.S. PATENT DOCUMENTS

3,327,887 A 6/1967 Chalmers
3,388,706 A 6/1968 Muirheid

(Continued)

Primary Examiner — Ian Simmons

Assistant Examiner — Dana L Meyrow

(74) *Attorney, Agent, or Firm* — N W Poulsen

(57) **CLAIM**

We claim the ornamental design for a tobacco box, as shown and described.

DESCRIPTION

FIG. 1 perspective view of a tobacco box showing our new design;

FIG. 2 is a top plan view thereof;

FIG. 3 is a bottom plan view thereof;

FIG. 4 is a front elevation view thereof;

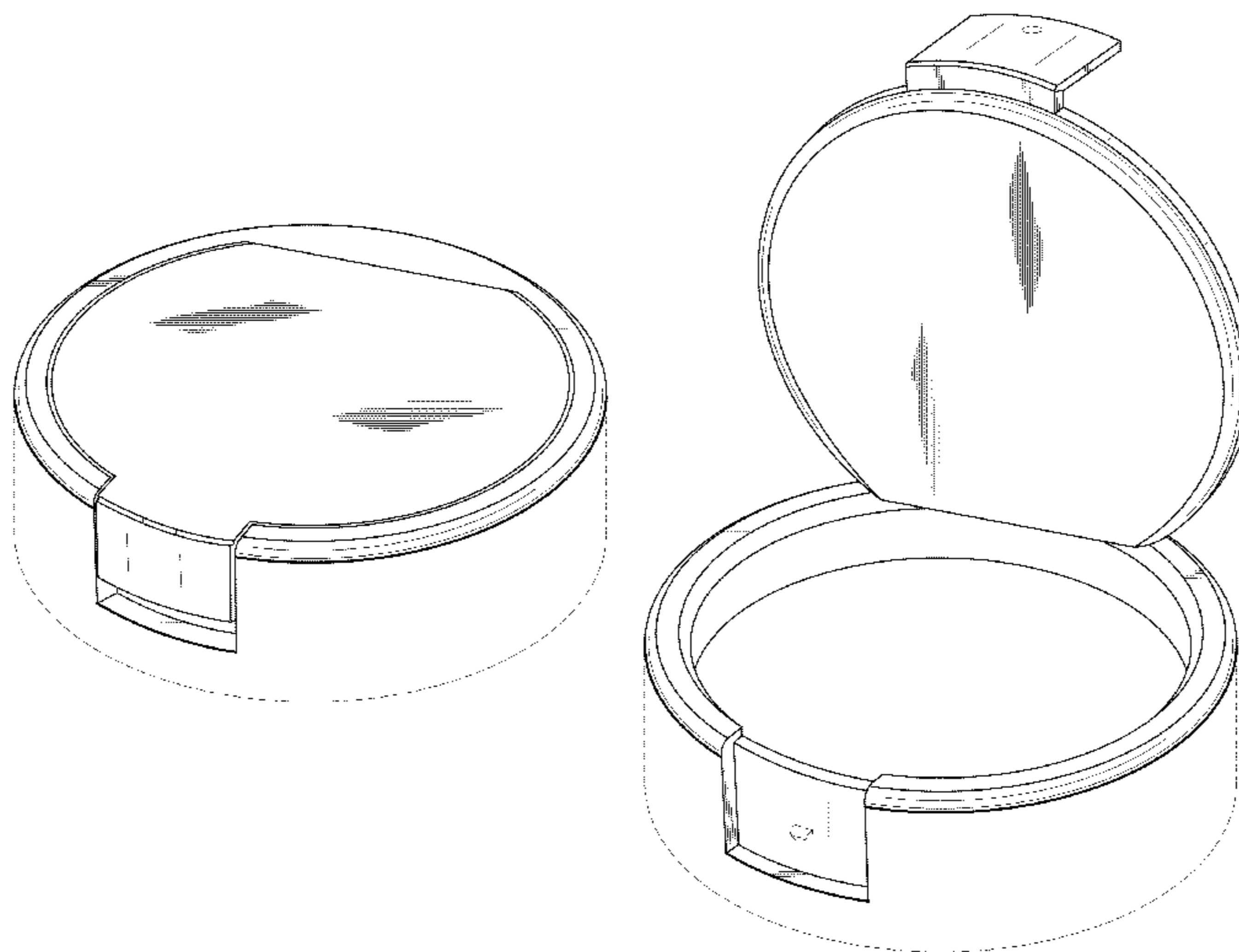
FIG. 5 is a rear elevation view thereof;

FIG. 6 is a left side elevation view thereof, the right side elevation view being a mirror image; and,

FIG. 7 is a perspective view thereof, showing the tobacco box in the open position.

The broken lines immediately adjacent to the shaded areas represent the bounds of the claim. Only the surfaces with applied surface shading are included in the claimed design. Those surface areas with no surface shading and the broken lines illustrate the portions of the design that form no part of the claim.

1 Claim, 7 Drawing Sheets



(56)

References Cited

U.S. PATENT DOCUMENTS

D218,793 S	9/1970	Rushlow		D529,800 S *	10/2006	Liebe	D9/449
3,596,758 A	8/1971	Phillips, Jr. et al.		D544,167 S	6/2007	Dukic, Jr. et al.	
4,022,352 A *	5/1977	Pehr	222/153.14	7,377,399 B2	5/2008	Lane et al.	
4,533,058 A *	8/1985	Uhlig	215/216	D581,792 S	12/2008	Krohn	
4,724,978 A *	2/1988	Cleevely et al.	220/258.2	D599,953 S	9/2009	Gibson et al.	
4,895,251 A	1/1990	Focke et al.		D603,698 S	11/2009	VerWeyst	
D317,869 S *	7/1991	Kipperman et al.	D9/446	D617,210 S	6/2010	Abolfazlian et al.	
5,147,054 A *	9/1992	Pehr	215/253	D617,941 S	6/2010	Björkholm	
5,277,315 A	1/1994	Plein		D625,047 S	10/2010	Gibon et al.	
5,762,230 A	6/1998	Policappelli		D640,545 S	6/2011	Gibson et al.	
5,826,785 A	10/1998	Belvederi et al.		D640,546 S	6/2011	Berggren	
D431,458 S *	10/2000	Bried et al.	D3/203.2	D645,352 S	9/2011	Boré	
6,126,013 A	10/2000	Miller		D650,269 S	12/2011	Berggren	
6,168,014 B1	1/2001	Manservigi et al.		D651,519 S	1/2012	Gibson et al.	
D441,144 S	4/2001	Vanoncini		D660,693 S	5/2012	Berggren	
6,216,860 B1	4/2001	Boriani et al.		D686,513 S *	7/2013	Henriksson	D9/772
6,364,106 B1	4/2002	Fagg et al.		2003/0164314 A1	9/2003	Bray	
D456,713 S *	5/2002	Bried et al.	D9/449	2004/0026272 A1	2/2004	Conti et al.	
D474,856 S	5/2003	Hatto		2004/0144661 A1	7/2004	Lutzig	
7,025,201 B2	4/2006	Draghetti et al.		2004/0217023 A1	11/2004	Fagg et al.	
D522,362 S *	6/2006	Liebe	D9/449	2005/0155878 A1	7/2005	Pham	
				2006/0255111 A1	11/2006	Bray et al.	
				2010/0059395 A1	3/2010	England	
				2010/0126889 A1	5/2010	Holford	

* cited by examiner

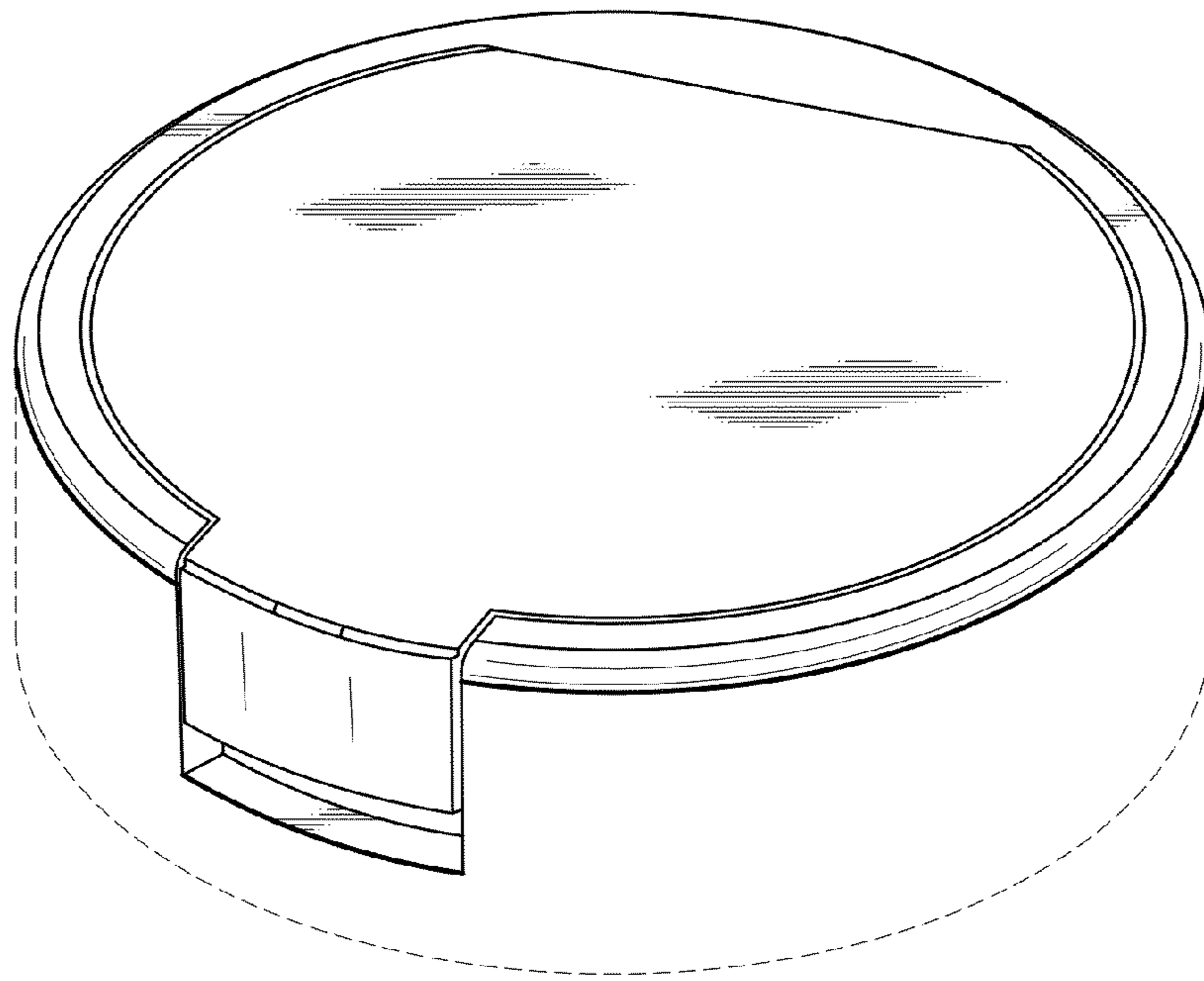


FIG. 1

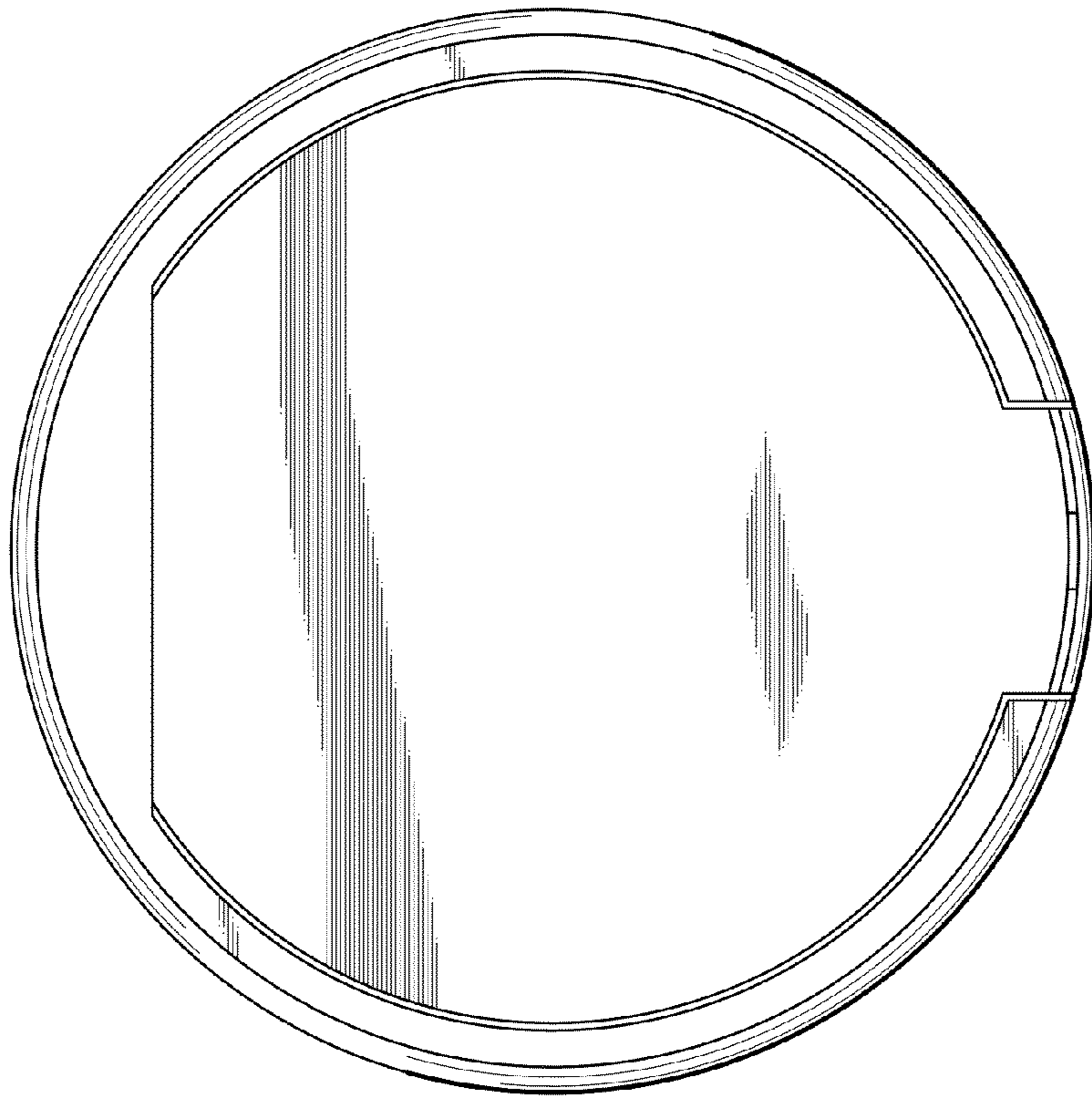


FIG. 2

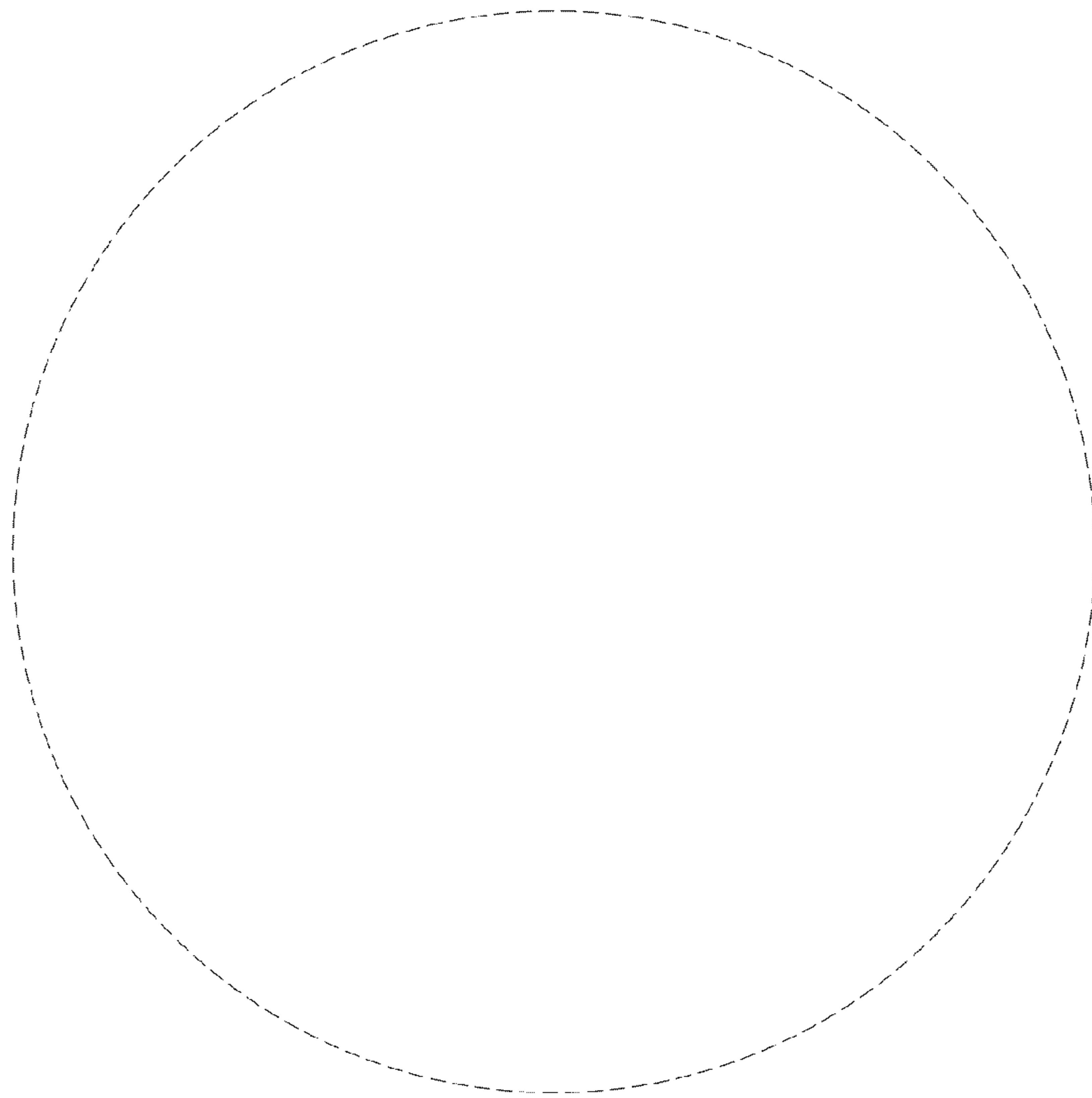


FIG.3

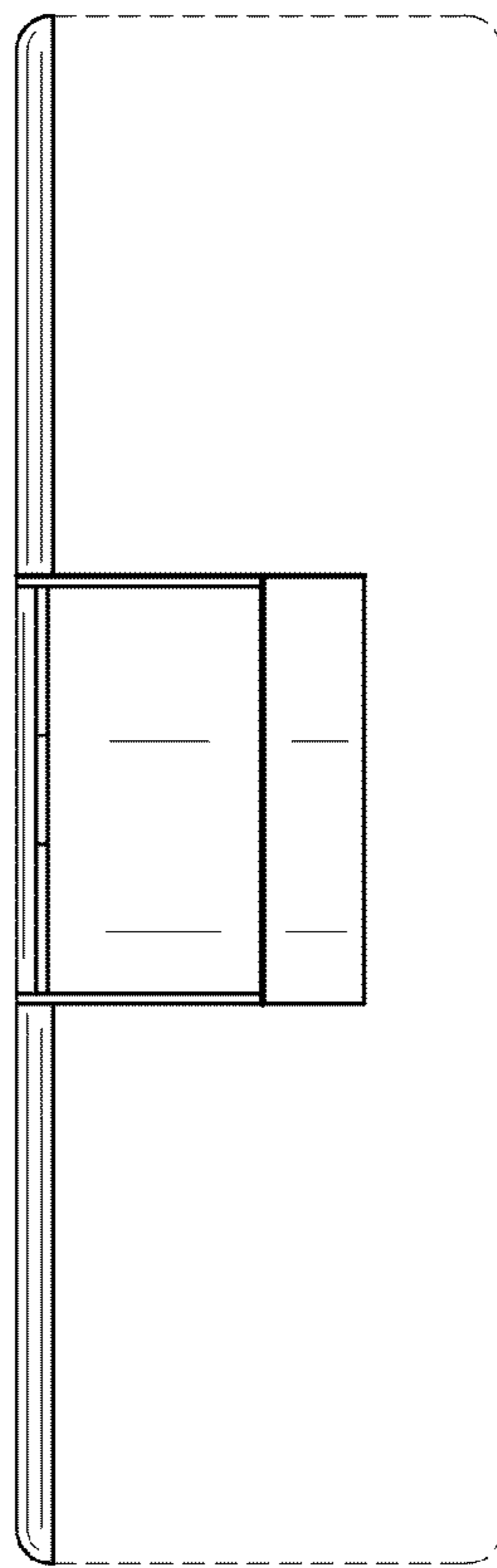


FIG.4

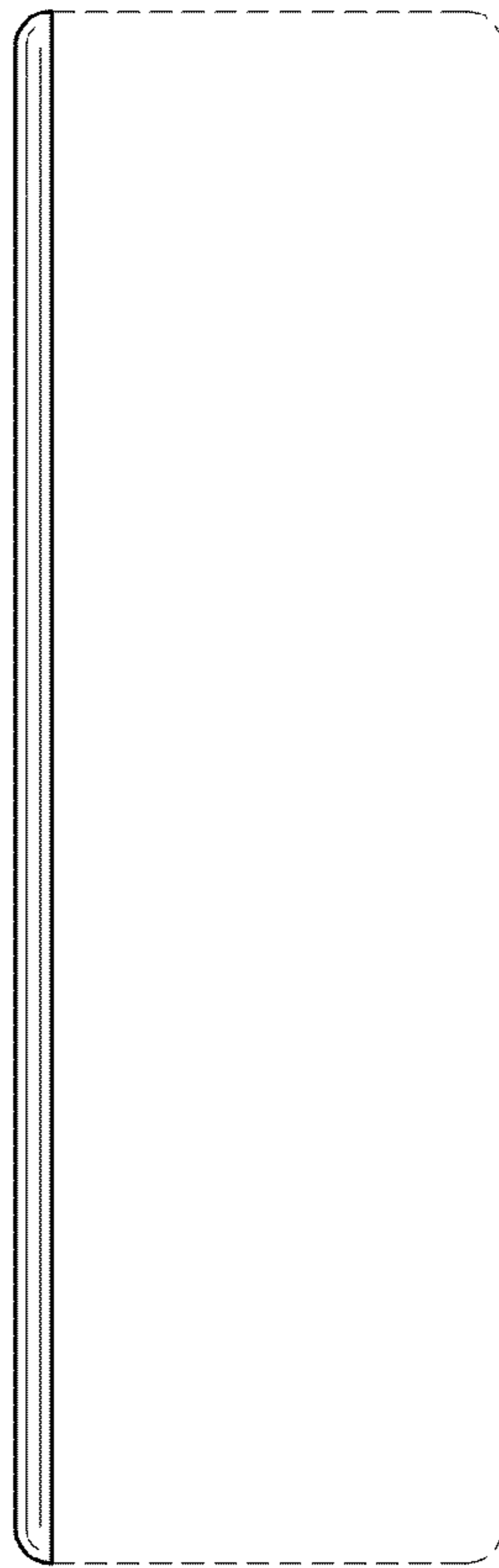


FIG.5

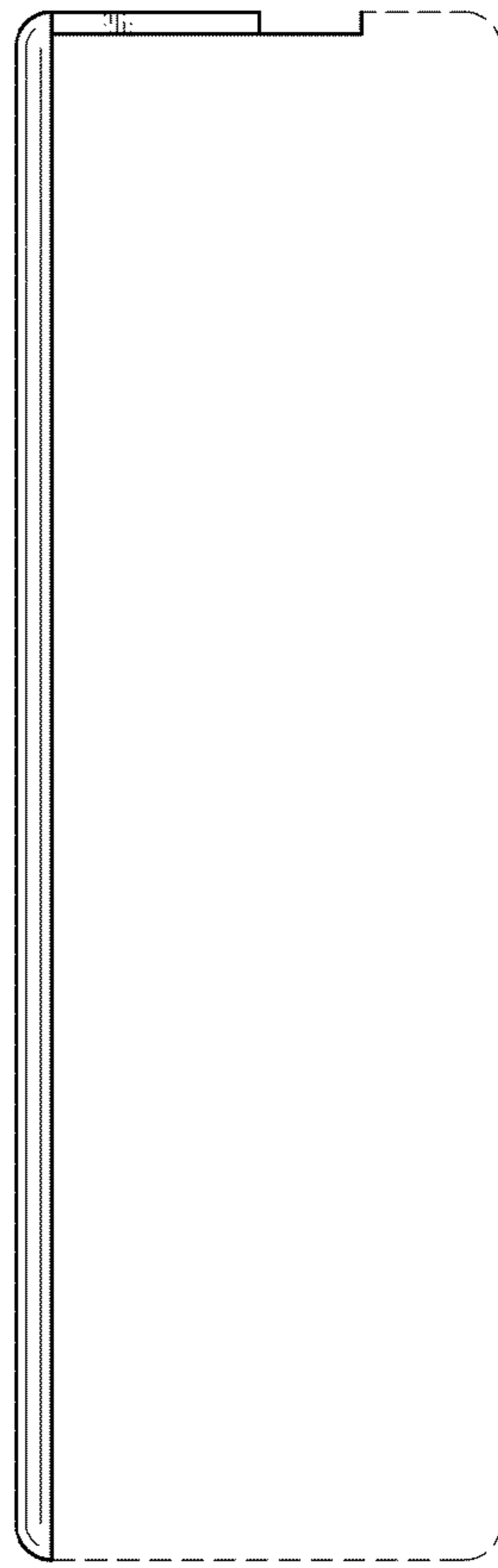


FIG.6

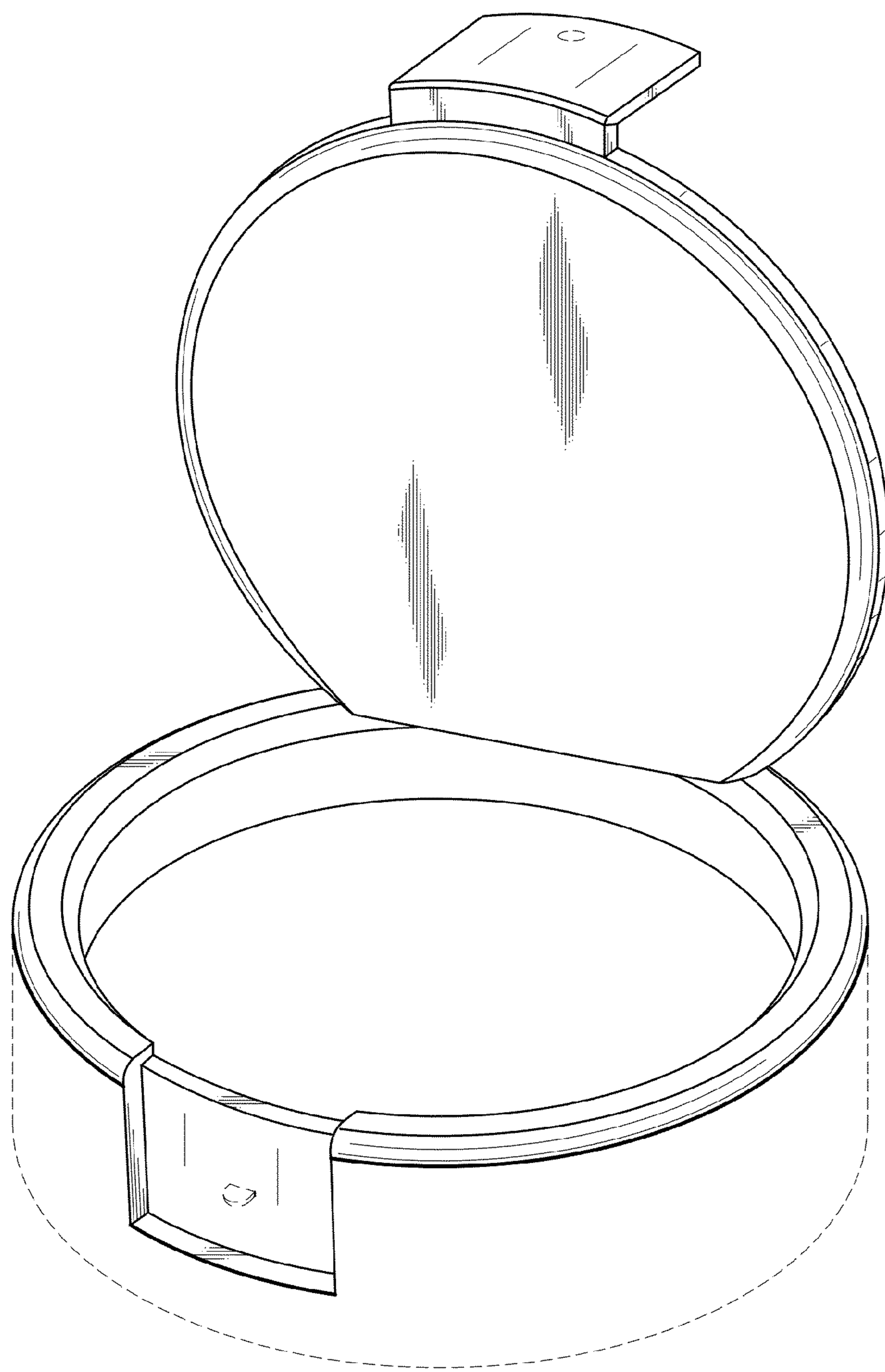


FIG.7