



US00D711745S

(12) **United States Design Patent**  
**Humm et al.**

(10) **Patent No.:** **US D711,745 S**

(45) **Date of Patent:** **\*\* Aug. 26, 2014**

(54) **TOBACCO BOX**

D28/82; D14/484; D8/358; 215/258, 363;  
220/796, 801, 805; 206/236, 242,  
206/265–266, 270; 229/87.14

(71) Applicants: **British American Tobacco (Investments) Limited**, London (GB); **British American Tobacco (Holdings) Limited**, London (GB)

See application file for complete search history.

(72) Inventors: **Stuart Humm**, London (GB); **Warren Keefe**, London (GB); **Paul Gibson**, London (GB)

(56) **References Cited**

U.S. PATENT DOCUMENTS

(73) Assignees: **British American Tobacco (Investments) Limited**, London (GB); **British-American Tobacco (Holdings) Limited**, London (GB)

3,327,887 A	6/1967	Chalmers	
3,388,706 A	6/1968	Muirheid	
D218,793 S	9/1970	Rushlow	
3,596,758 A	8/1971	Phillips, Jr. et al.	
D256,558 S *	8/1980	Smith	D9/454
D261,486 S *	10/1981	Smith	D9/452
D264,441 S *	5/1982	Smith	D9/454
D277,826 S *	3/1985	Brown, Sr.	D9/439
D304,584 S *	11/1989	Kano	D14/484
D304,585 S *	11/1989	Kano	D14/484

(\*\*) **Term:** **14 Years**

(Continued)

(21) **Appl. No.:** **29/471,439**

*Primary Examiner* — Ian Simmons

(22) **Filed:** **Oct. 31, 2013**

*Assistant Examiner* — Dana L Meyrow

**Related U.S. Application Data**

(62) Division of application No. 29/394,676, filed on Jun. 20, 2011.

(74) *Attorney, Agent, or Firm* — N W Poulsen

(30) **Foreign Application Priority Data**

Dec. 20, 2010 (EM) ..... 001796038

(51) **LOC (10) Cl.** ..... **09-07**

(52) **U.S. Cl.**  
USPC ..... **D9/449**

(58) **Field of Classification Search**  
CPC ..... B65D 39/00; B65D 39/16; B65D 43/08;  
B65D 45/00; B65D 45/30; B65D 45/305;  
B65D 51/60  
USPC ..... D9/414, 416, 424, 428, 434–435, 443,  
D9/446–447, 449, 454, 500, 504–505, 516,  
D9/549, 558, 575, 715, 721, 763, 772,  
D9/779–780, 530, 533, 535; D1/105;  
D3/203.2, 203.3, 203.4, 24; D27/102,  
D27/133, 172, 183, 186, 189–190; D28/78,

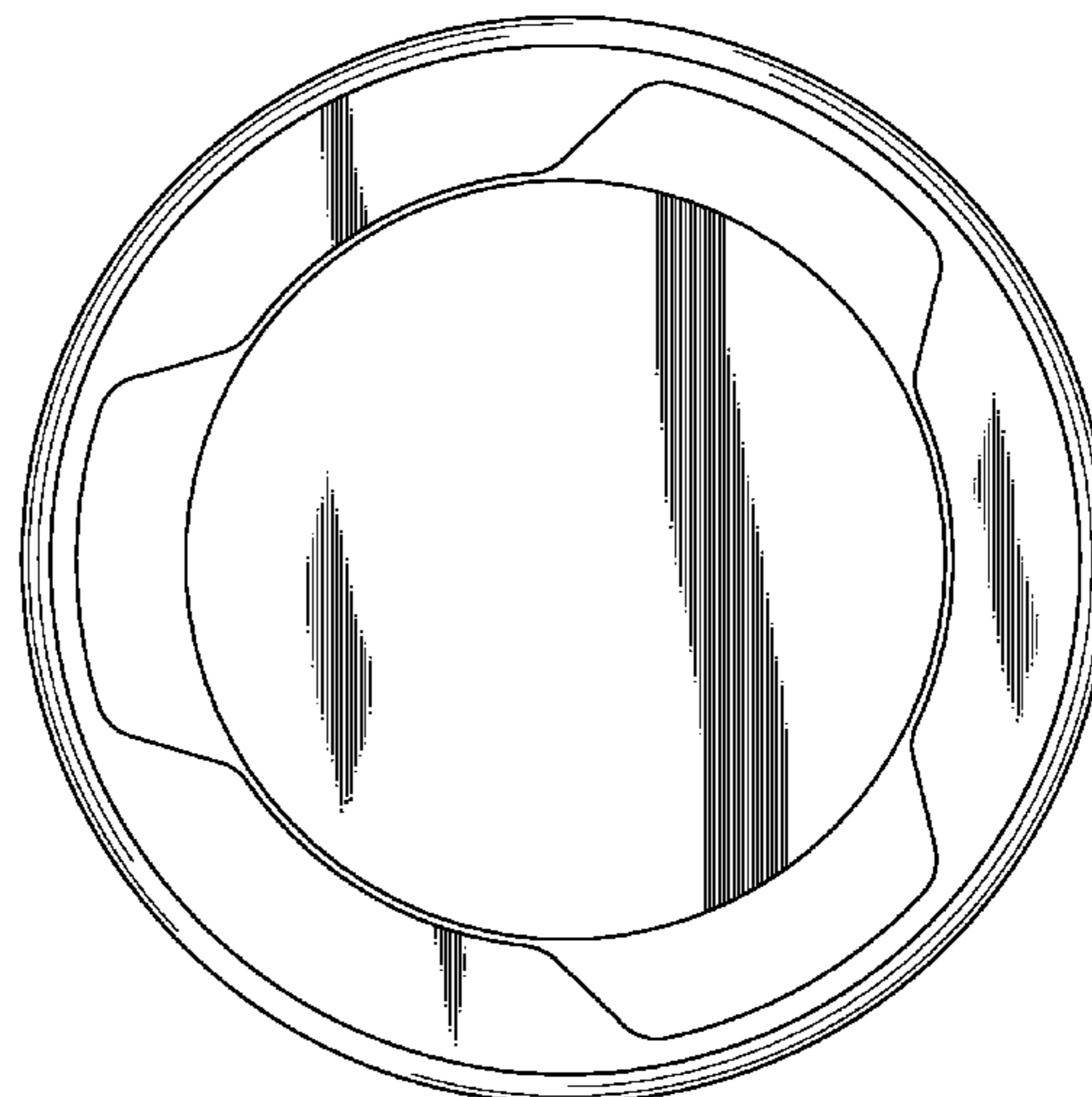
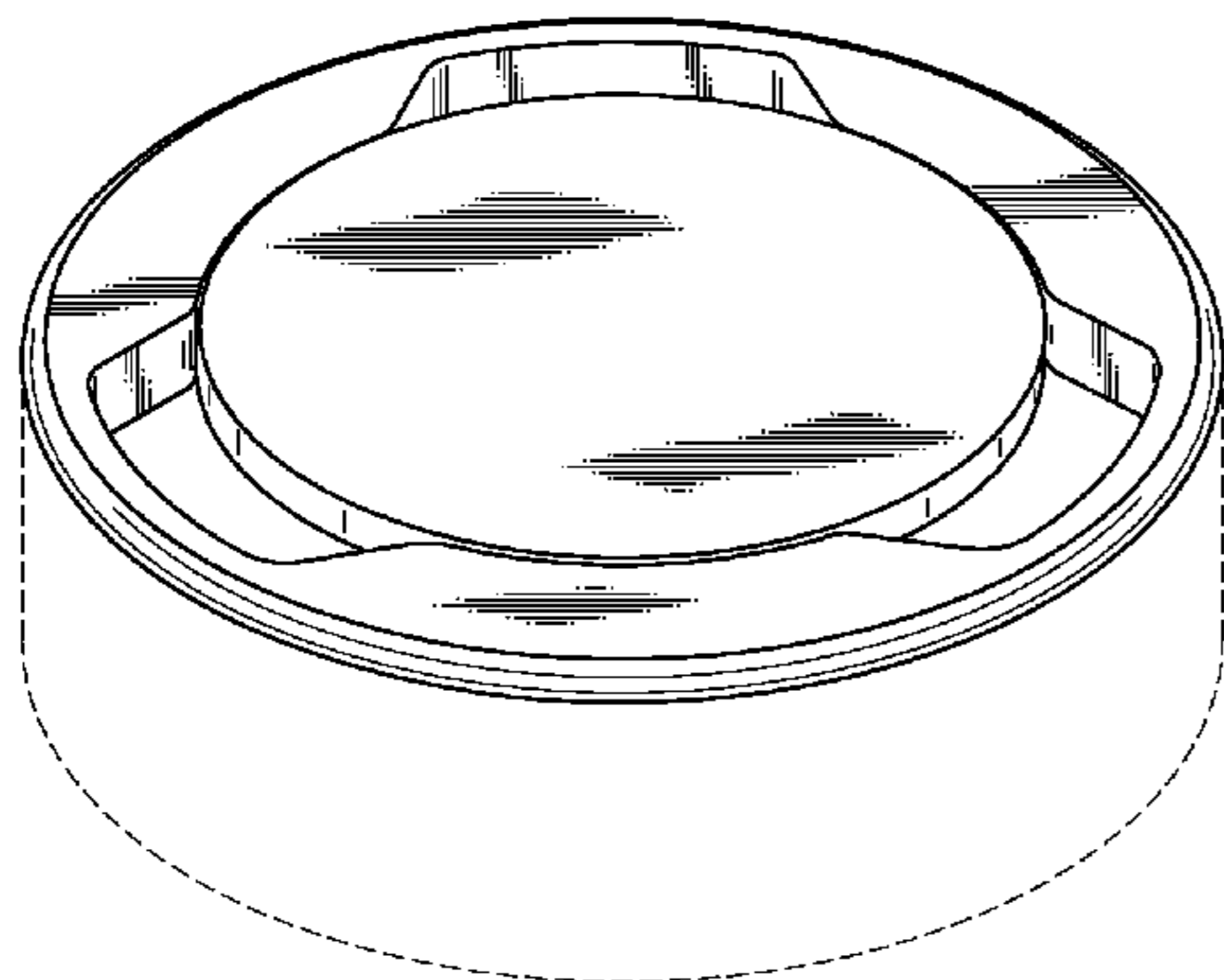
(57) **CLAIM**

We claim the ornamental design for a tobacco box, as shown and described.

**DESCRIPTION**

FIG. 1 perspective view of a tobacco box showing our new design;  
FIG. 2 is a top plan view thereof;  
FIG. 3 is a bottom plan view thereof; and,  
FIG. 4 is a side elevation view thereof.  
The broken lines immediately adjacent to the shaded areas represent the bounds of the claim. Only the surfaces with applied surface shading are included in the claimed design. Those surface areas with no surface shading and the broken lines illustrate the portions of the design that form no part of the claim.

**1 Claim, 4 Drawing Sheets**



(56)

**References Cited**

U.S. PATENT DOCUMENTS

4,895,251 A 1/1990 Focke et al.  
 5,277,315 A 1/1994 Plein  
 5,762,230 A 6/1998 Policappelli  
 5,826,785 A 10/1998 Belvederi  
 6,126,013 A 10/2000 Miller  
 6,168,014 B1 1/2001 Manservigi et al.  
 D441,144 S 4/2001 Vanoncini  
 6,216,860 B1 4/2001 Boriani et al.  
 6,364,106 B1 4/2002 Fagg et al.  
 D474,856 S 5/2003 Hatto  
 7,025,201 B2 4/2006 Draghetti et al.  
 D544,167 S 6/2007 Dukic, Jr. et al.  
 7,377,399 B2 5/2008 Lane et al.  
 D581,792 S 12/2008 Krohn  
 D599,953 S 9/2009 Gibson et al.

D603,698 S 11/2009 VerWeyst  
 D617,210 S 6/2010 Abolfazlian et al.  
 D617,941 S 6/2010 Björkholm  
 D625,047 S 10/2010 Gibson et al.  
 D640,545 S 6/2011 Gibson et al.  
 D640,546 S 6/2011 Berggren  
 D645,352 S 9/2011 Boré  
 D650,269 S 12/2011 Berggren  
 D651,519 S 1/2012 Gibson et al.  
 D660,693 S 5/2012 Berggren  
 2003/0164314 A1 9/2003 Bray  
 2004/0026272 A1 2/2004 Conti et al.  
 2004/0144661 A1 7/2004 Lutzig  
 2004/0217023 A1 11/2004 Fagg et al.  
 2005/0155878 A1 7/2005 Pham  
 2006/0255111 A1 11/2006 Bray et al.  
 2010/0059395 A1 3/2010 England  
 2010/0126889 A1 5/2010 Holford

\* cited by examiner

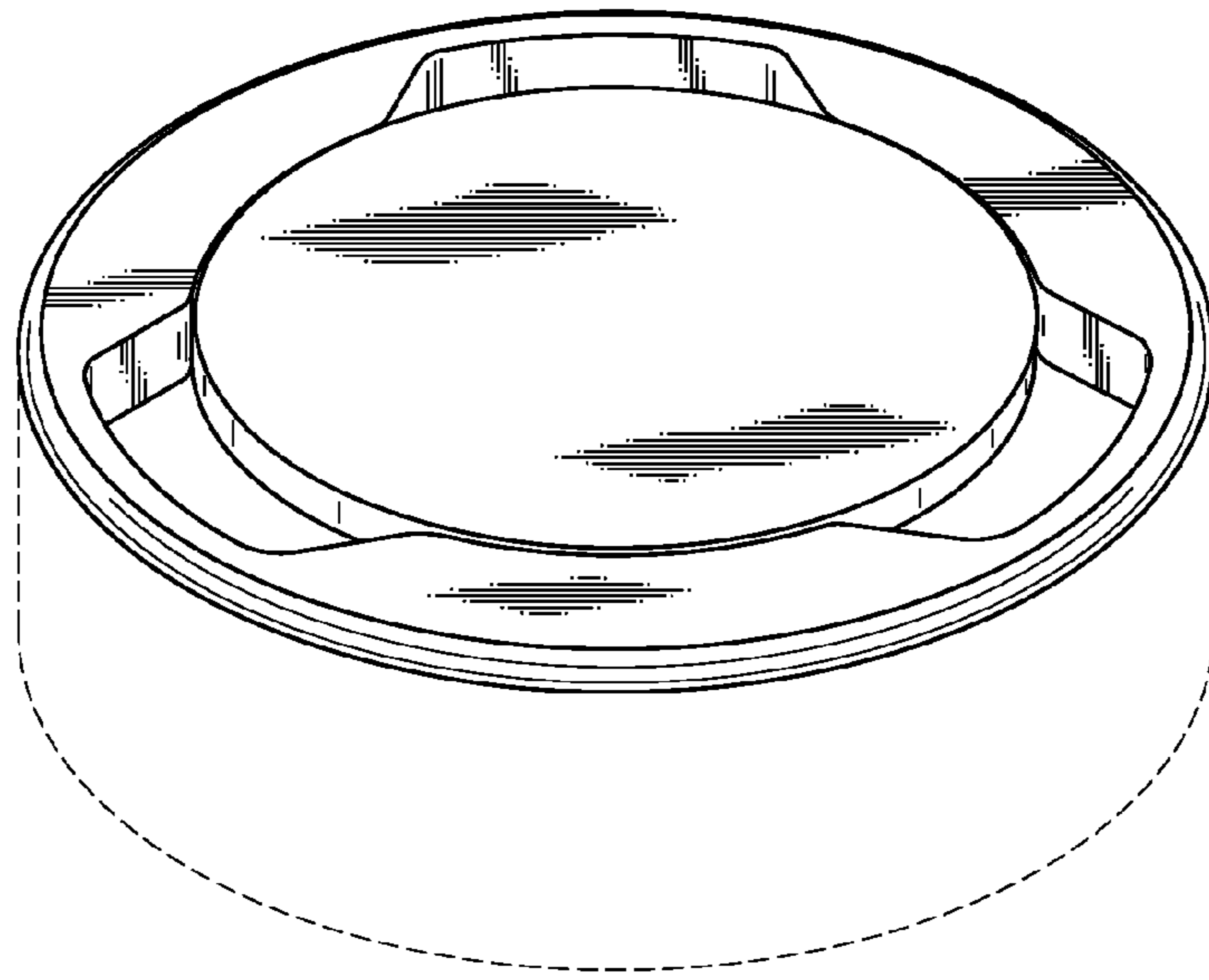


FIG. 1

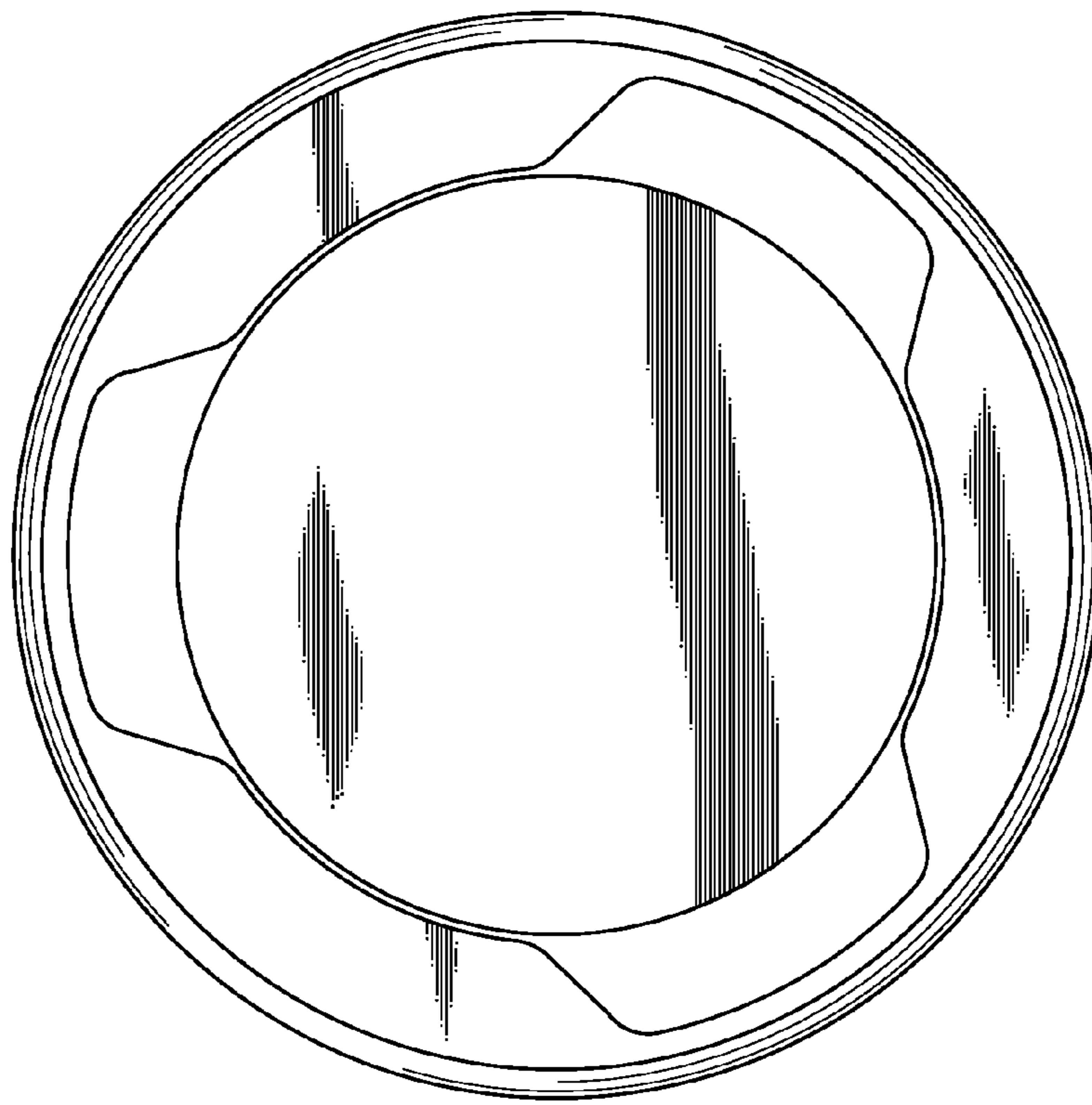
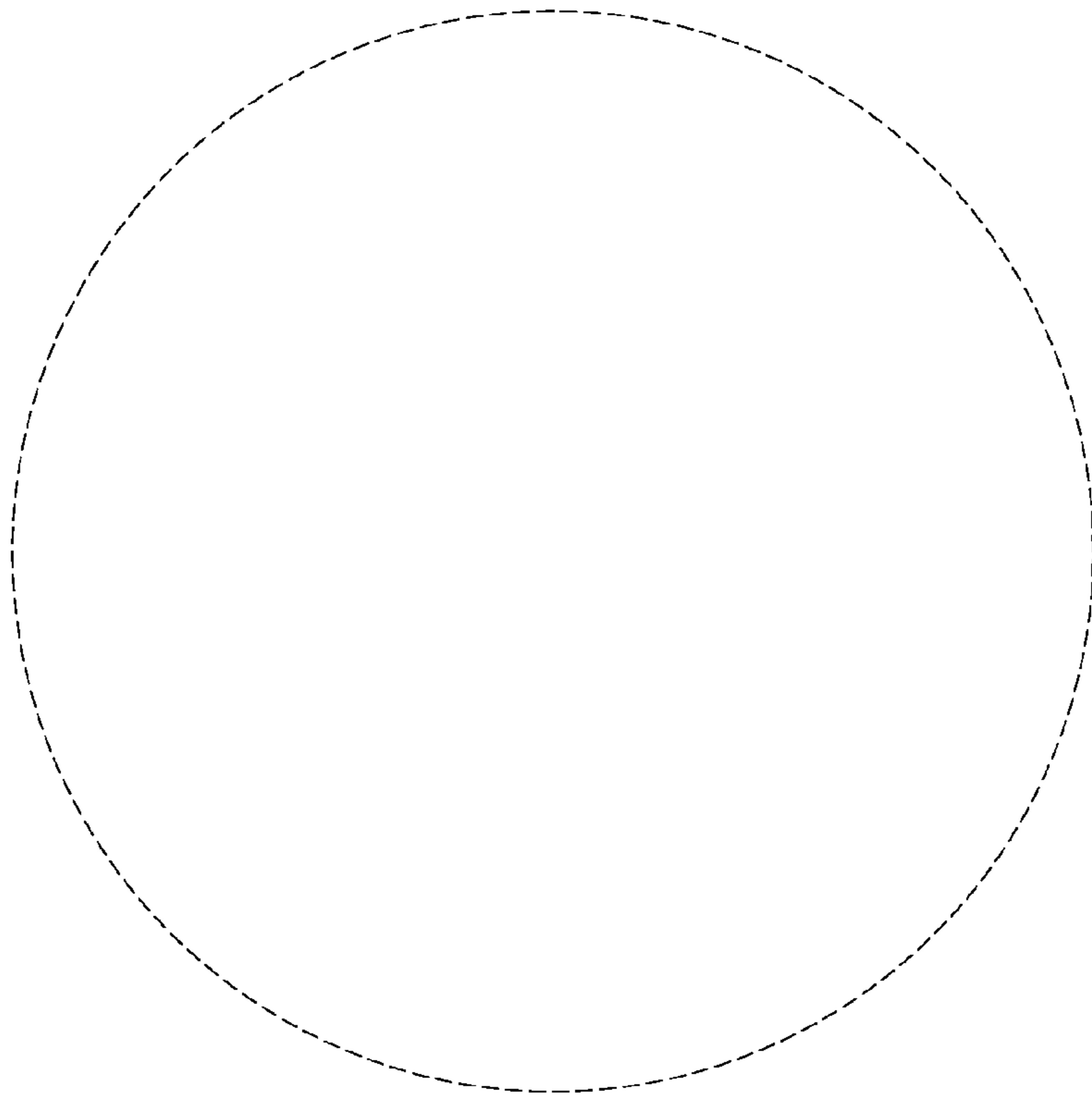
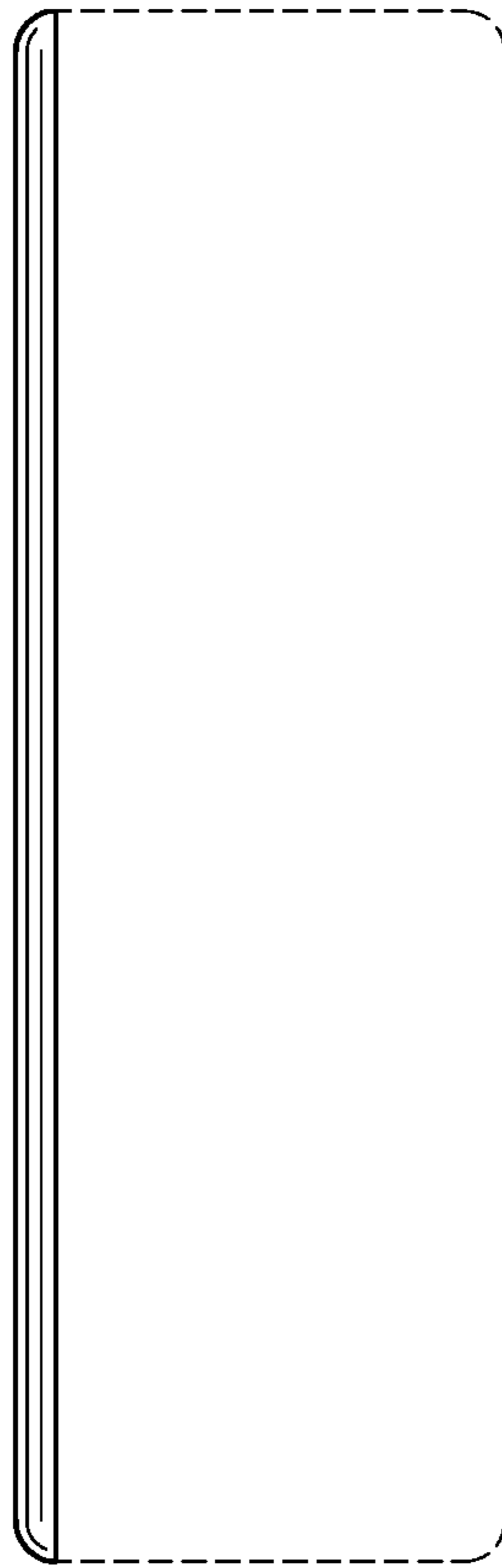


FIG.2



**FIG.3**



**FIG.4**

UNITED STATES PATENT AND TRADEMARK OFFICE  
**CERTIFICATE OF CORRECTION**

PATENT NO. : D711,745 S  
APPLICATION NO. : 29/471439  
DATED : August 26, 2014  
INVENTOR(S) : Stuart Humm et al.

Page 1 of 1

It is certified that error appears in the above-identified patent and that said Letters Patent is hereby corrected as shown below:

On the title page, item (71) Applicants: "British American Tobacco" should read -- British American Tobacco --

Signed and Sealed this  
Thirtieth Day of December, 2014



Michelle K. Lee  
*Deputy Director of the United States Patent and Trademark Office*