



US00D711741S

(12) **United States Design Patent**
Humm et al.

(10) **Patent No.:** **US D711,741 S**

(45) **Date of Patent:** **** Aug. 26, 2014**

(54) **TOBACCO BOX**

(75) Inventors: **Stuart Humm**, London (GB); **Warren Keefe**, London (GB); **Paul Gibson**, London (GB)

(73) Assignees: **British American Tobacco (Investments) Limited**, London (GB); **British-American Tobacco (Holdings) Limited**, London (GB)

(**) Term: **14 Years**

(21) Appl. No.: **29/394,676**

(22) Filed: **Jun. 20, 2011**

(30) **Foreign Application Priority Data**

Dec. 20, 2010 (EM) 001796038

(51) **LOC (10) Cl.** **09-07**

(52) **U.S. Cl.**
USPC **D9/447**

(58) **Field of Classification Search**

USPC D9/500, 503-505, 516, 529, 549, 553, D9/558, 575, 763, 772, 779-780, 435, 439, D9/443, 454, 414, 416, 424, 428, 434, D9/446-447, 449, 715, 721; D28/73, D28/75-76, 78, 82; 215/379, 258, 363; 220/660, 675, 796, 801, 805; D3/201, D3/203.2, 203.3, 273, 302, 203.4; D27/183, 186-187, 189-190, 191, 102, D27/133, 172; D1/105; 206/236, 242, 206/265-266, 270; 229/87.14

See application file for complete search history.

(56) **References Cited**

U.S. PATENT DOCUMENTS

D441,144 S *	4/2001	Vanoncini	D28/82
D544,167 S *	6/2007	Dukic et al.	D34/3
D581,792 S *	12/2008	Krohn	D9/504
D599,953 S *	9/2009	Gibson et al.	D27/190
D603,698 S *	11/2009	VerWeyst	D9/500
D617,210 S *	6/2010	Abolfazlian et al.	D9/772
D617,941 S *	6/2010	Bjorkholm	D27/172
D625,047 S *	10/2010	Gibson et al.	D27/183
D640,545 S *	6/2011	Gibson et al.	D9/428
D640,546 S *	6/2011	Berggren	D9/428
D645,352 S *	9/2011	Bore	D9/504
D650,269 S *	12/2011	Berggren	D9/428
D651,519 S *	1/2012	Gibson et al.	D9/529
D660,693 S *	5/2012	Berggren	D9/428

* cited by examiner

Primary Examiner — Ian Simmons

Assistant Examiner — Dana L Meyrow

(74) *Attorney, Agent, or Firm* — N W Poulsen

(57) **CLAIM**

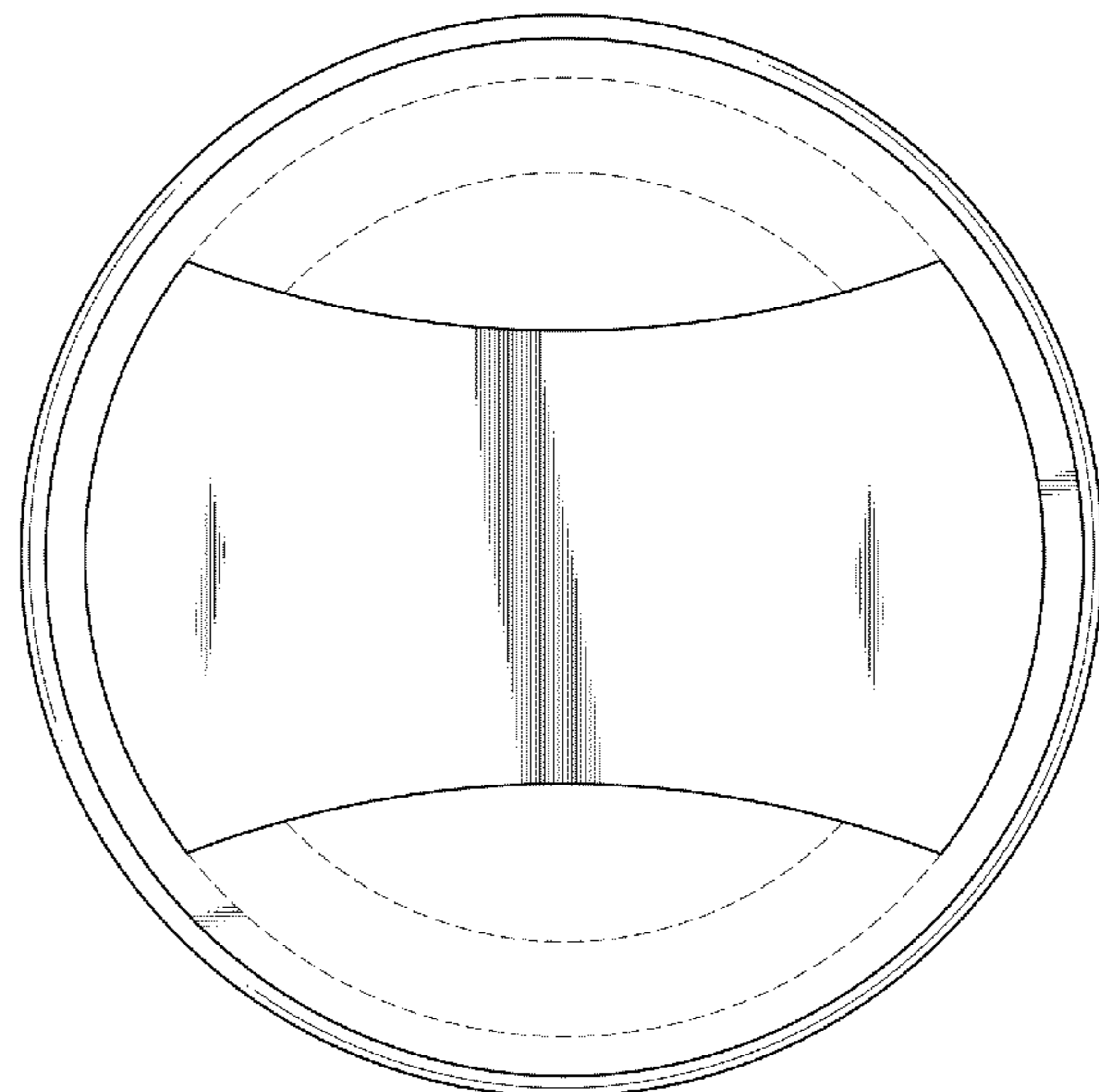
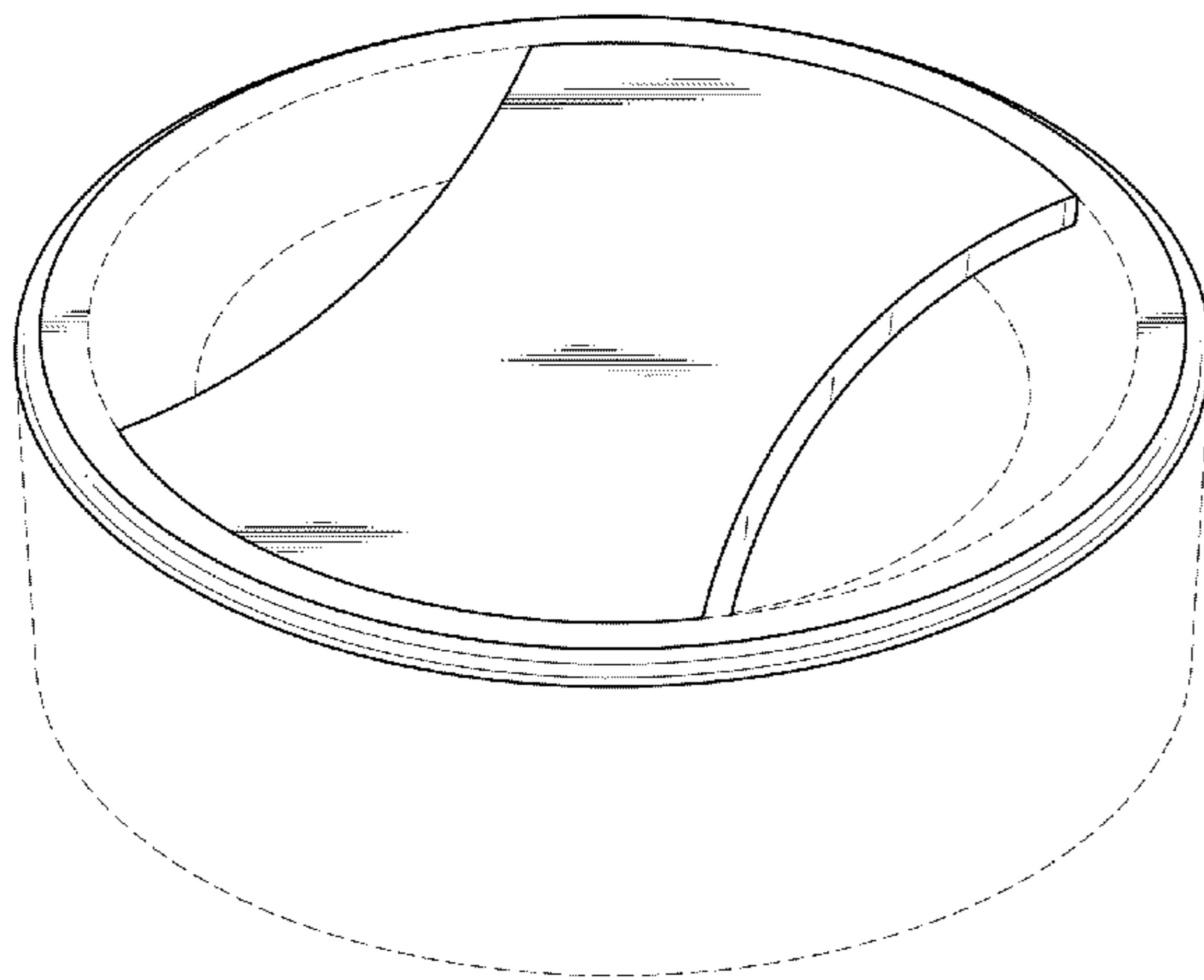
The ornamental designs for a tobacco box, as shown and described.

DESCRIPTION

FIG. 1 is a perspective view of a new design for a tobacco box; FIG. 2 is a top plan view thereof; FIG. 3 is a bottom plan view thereof; and, FIG. 4 is a side elevation view thereof.

The broken lines immediately adjacent to the shaded areas represent the bounds of the claim. Only the surfaces with applied surface shading are included in the claimed design. Those surface areas with no surface shading and the broken lines illustrate portions of the design that form no part of the claimed design.

1 Claim, 4 Drawing Sheets



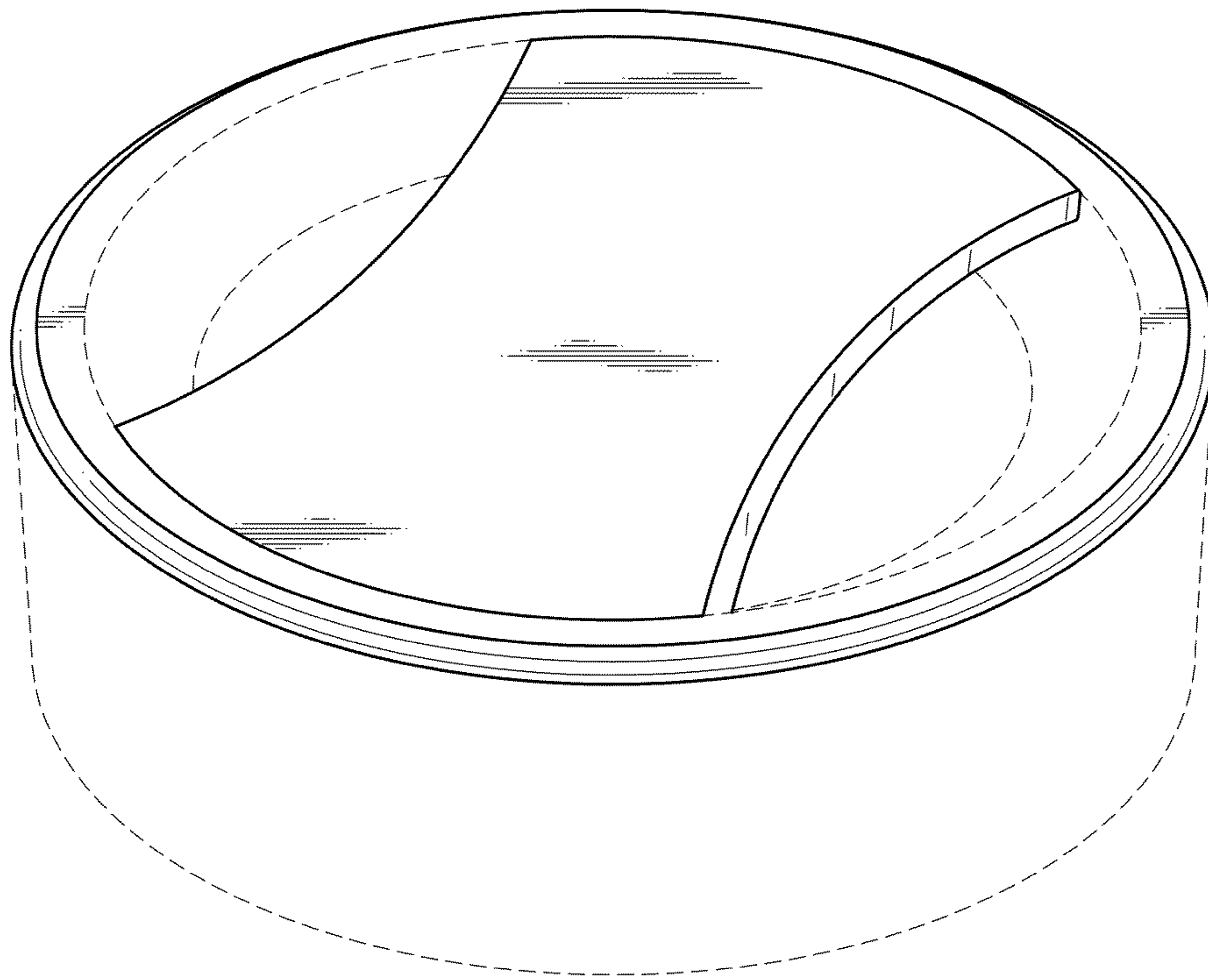


FIG.1

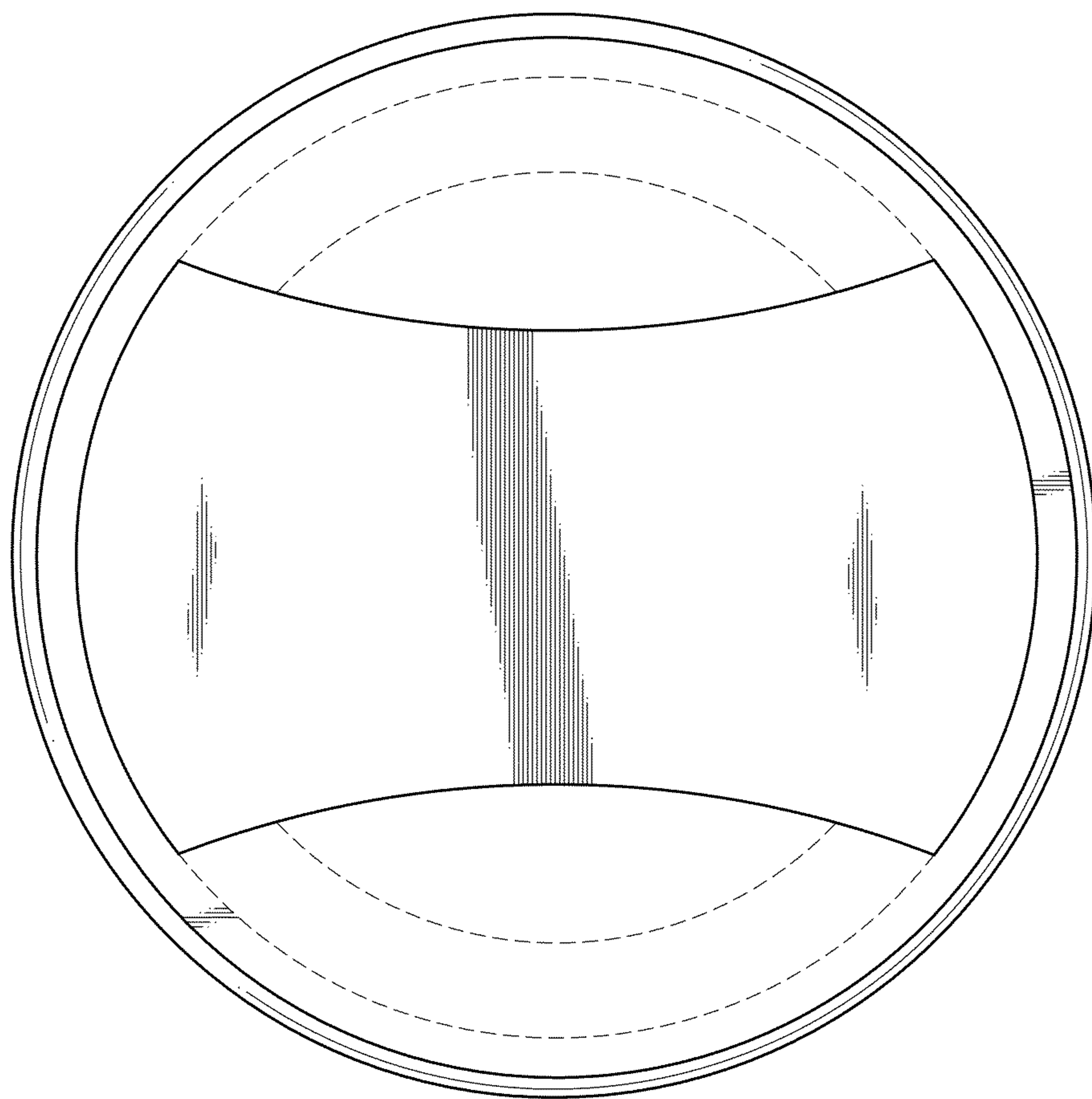


FIG. 2

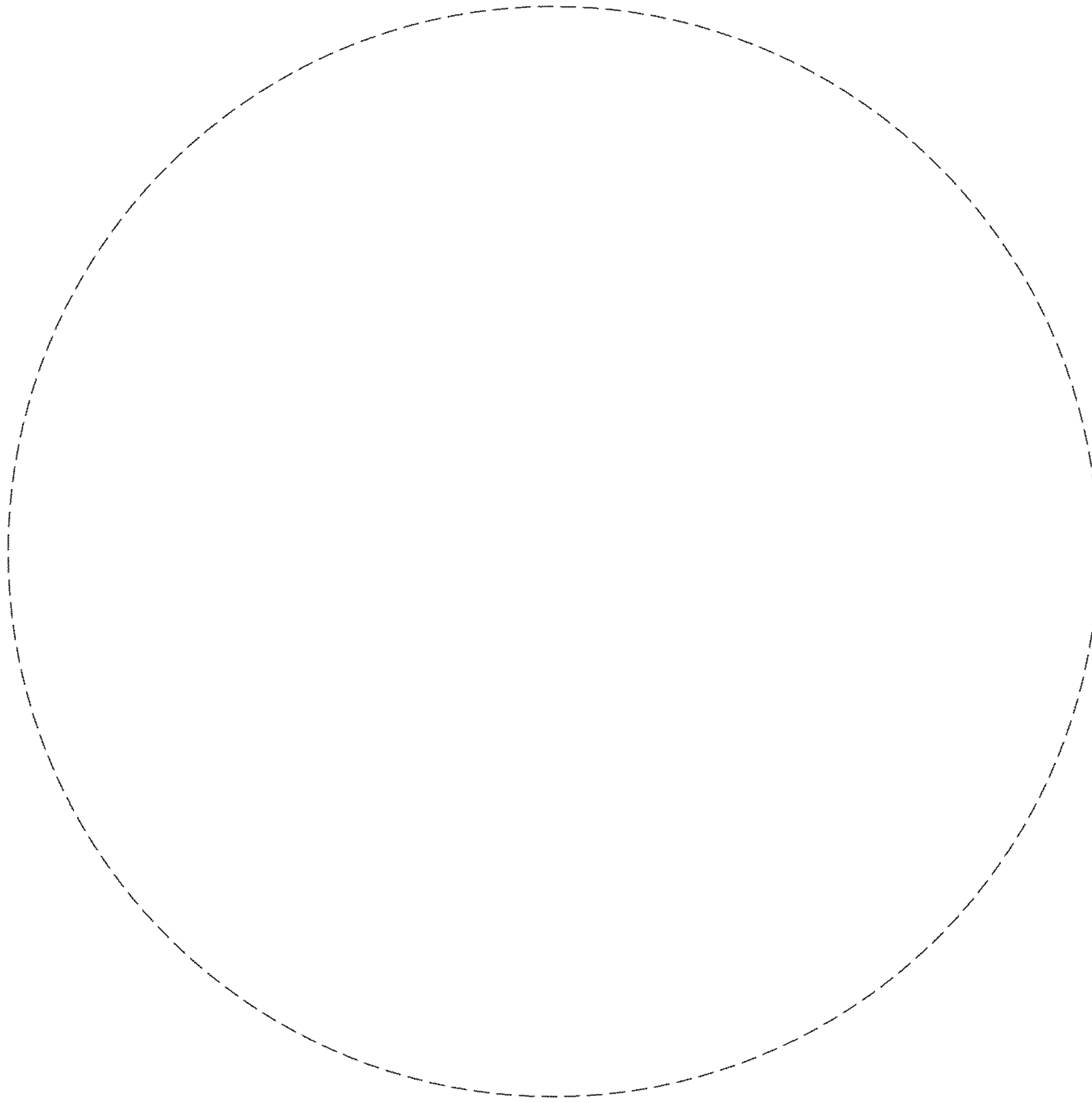


FIG.3

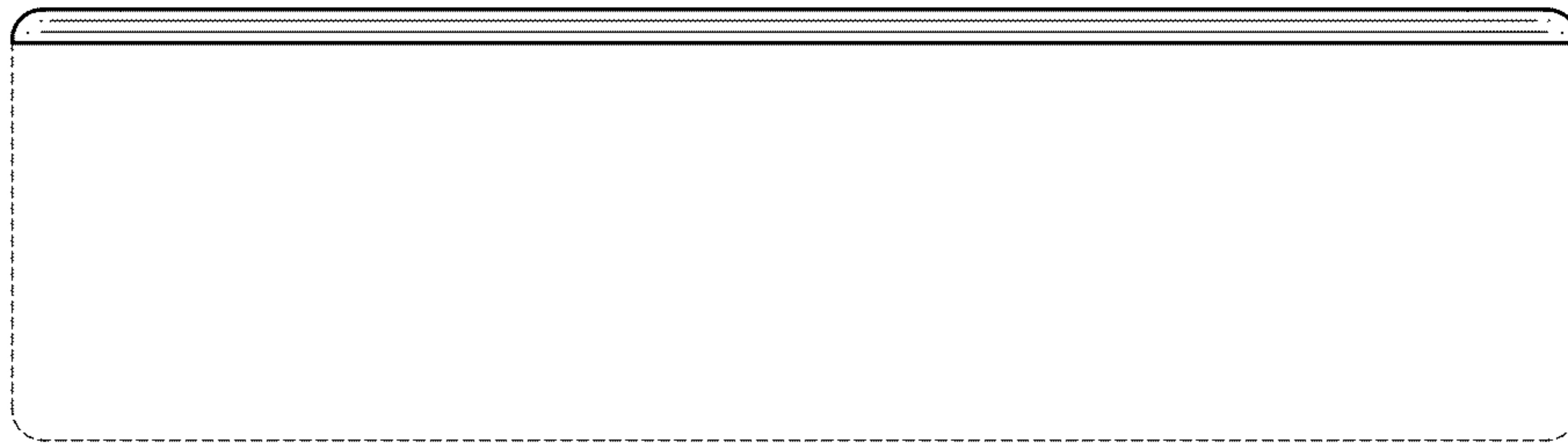


FIG.4