



US00D711739S

(12) **United States Design Patent**  
**Priebe et al.**

(10) **Patent No.:** **US D711,739 S**

(45) **Date of Patent:** **\*\* Aug. 26, 2014**

(54) **PUSH TAB VIAL COVER**

(71) Applicant: **Apothecary Products, Inc.**, Burnsville, MN (US)

(72) Inventors: **Robert N. Priebe**, Bloomington, MN (US); **Terrance O. Noble**, Burnsville, MN (US)

(73) Assignee: **Apothecary Products, LLC**, Burnsville, MN (US)

(\*\*) Term: **14 Years**

(21) Appl. No.: **29/447,880**

(22) Filed: **Mar. 7, 2013**

(51) **LOC (10) Cl.** ..... **09-07**

(52) **U.S. Cl.**  
USPC ..... **D9/435**

(58) **Field of Classification Search**  
USPC ..... D9/435, 443, 452, 453; D23/250;  
215/209, 211, 213, 214, 216, 217, 221,  
215/309, 330, 341, 343, 344, 345, 346, 347,  
215/348, 349, 350, 351; 220/254.8, 288,  
220/315

See application file for complete search history.

(56) **References Cited**

**U.S. PATENT DOCUMENTS**

D55,125 S	5/1920	Hammer
D55,380 S	6/1920	Hammer
D58,571 S	8/1921	Hyatt
D68,988 S	12/1925	Riehle
1,577,019 A	3/1926	Hammer
D78,805 S	6/1929	Burke

(Continued)

**OTHER PUBLICATIONS**

Photographs of commercial products, identified in Exhibits A, B, C, and D; each of the commercial products being in existence before Jun. 5, 2008.

(Continued)

*Primary Examiner* — Susan Bennett Hattan

*Assistant Examiner* — Leanne Was

(74) *Attorney, Agent, or Firm* — Merchant & Gould P.C.

(57) **CLAIM**

The ornamental design for push tab vial cover, as shown and described.

**DESCRIPTION**

FIG. 1 is a perspective view of a first embodiment of a push tab vial cover, according to our design;

FIG. 2 is a right view thereof;

FIG. 3 is a left view thereof;

FIG. 4 is a front view thereof;

FIG. 5 is a rear view thereof;

FIG. 6 is a top view thereof;

FIG. 7 is a bottom view thereof;

FIG. 8 is a perspective view of a second embodiment of a push tab vial cover, according to our new design;

FIG. 9 is a right view thereof;

FIG. 10 is a left view thereof;

FIG. 11 is a front view thereof;

FIG. 12 is a rear view thereof;

FIG. 13 is a top view thereof;

FIG. 14 is a bottom view thereof;

FIG. 15 is a perspective view of a third embodiment of a push tab vial cover, according to our new design;

FIG. 16 is a right view thereof;

FIG. 17 is a left view thereof;

FIG. 18 is a front view thereof;

FIG. 19 is a rear view thereof;

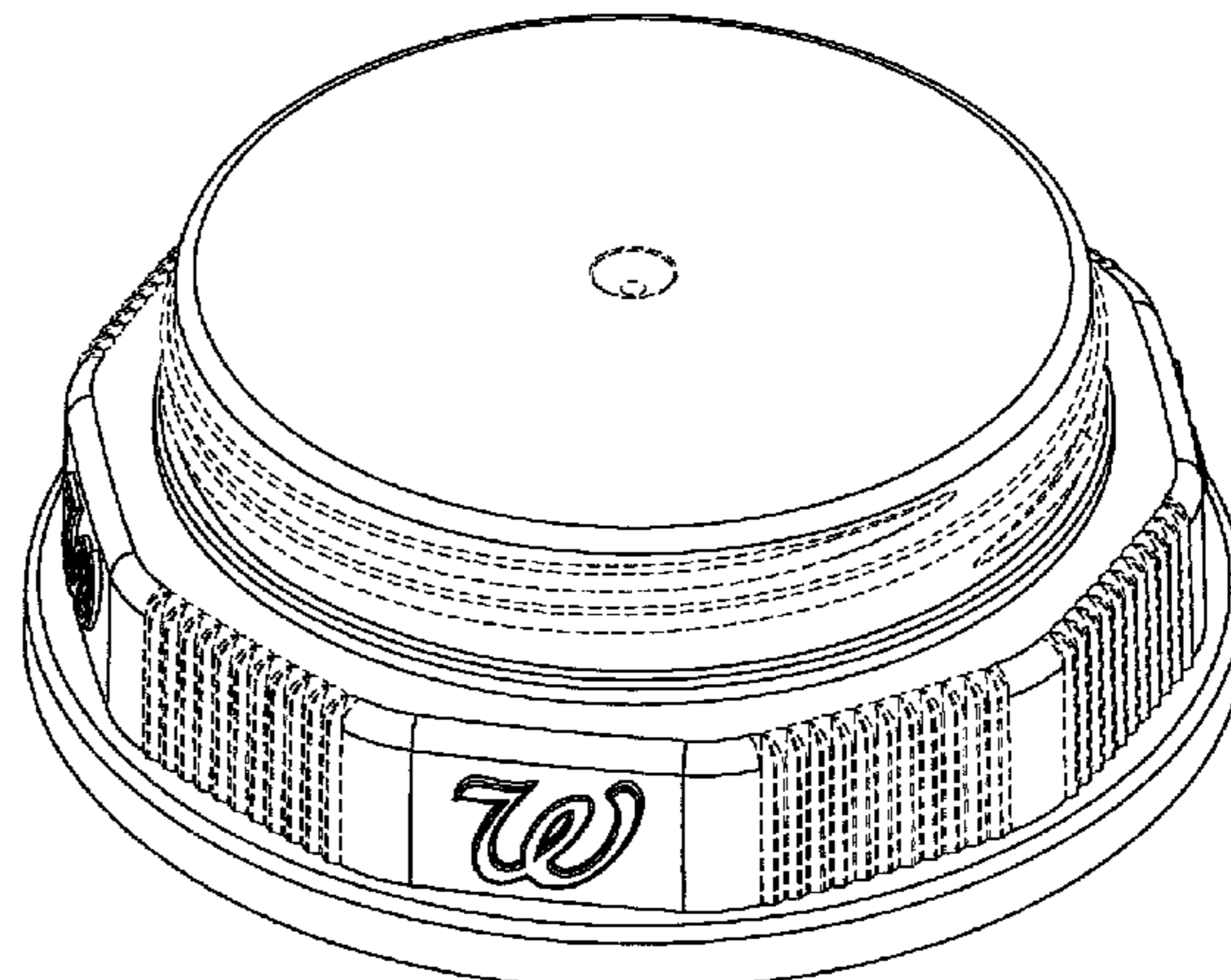
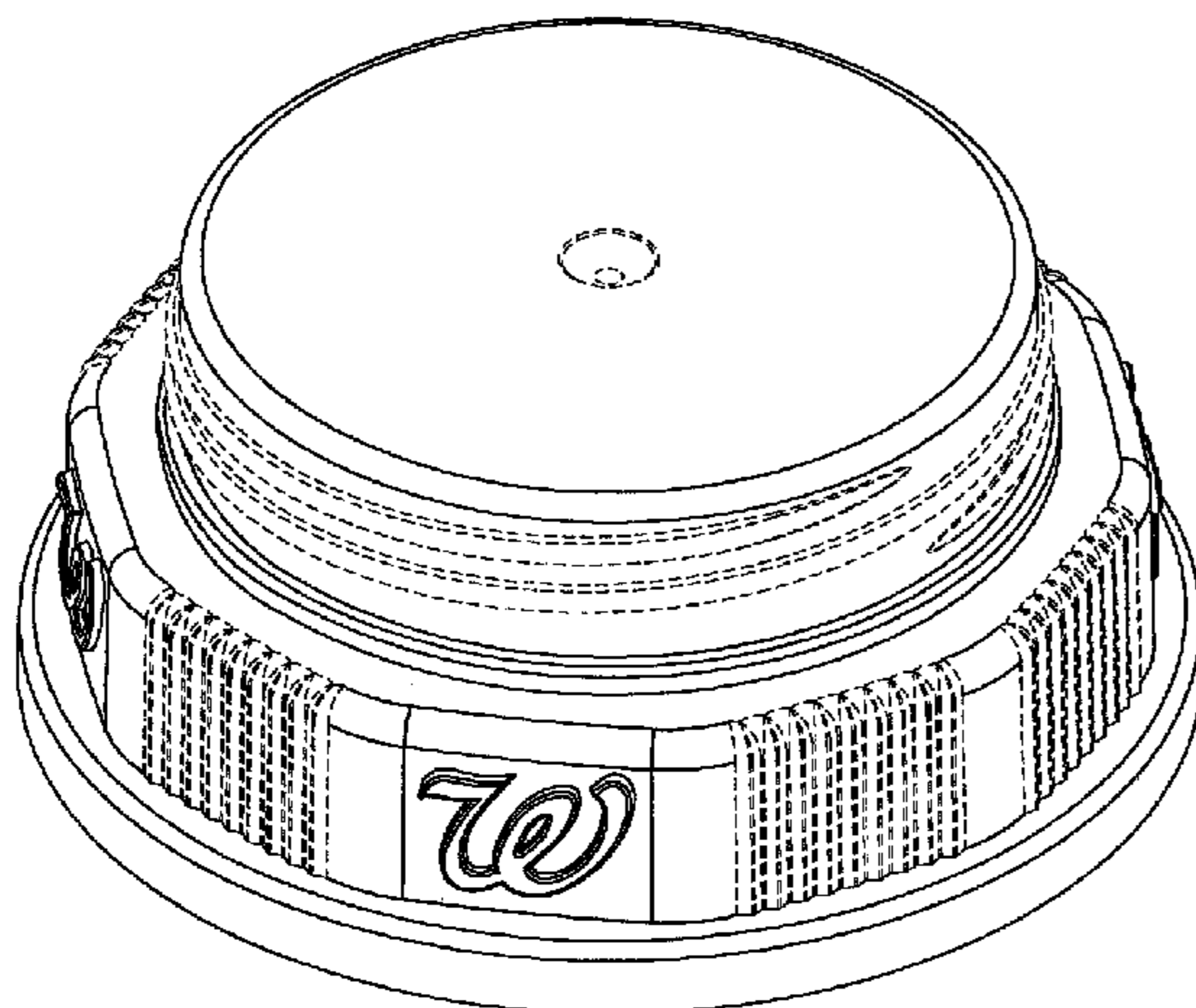
FIG. 20 is a top view thereof; and,

FIG. 21 is a bottom view thereof.

The broken lines in the drawings depict environmental subject matter and form no part of the claimed design.

The script “W” forming part of the claimed design is a registered trademark of Walgreen Co., Deerfield, Ill.

**1 Claim, 14 Drawing Sheets**



(56)

References Cited

U.S. PATENT DOCUMENTS

D84,966 S 8/1931 Weisenburg  
 D88,404 S 11/1932 Conner  
 D89,737 S 5/1933 Barnes  
 D89,809 S 5/1933 Von Till  
 D93,650 S 10/1934 Fleisch  
 1,981,414 A 11/1934 Hermani  
 D227,552 S 7/1973 Bridges  
 3,884,379 A 5/1975 Landen  
 D246,698 S \* 12/1977 Morris ..... D9/439  
 4,103,797 A 8/1978 Morris  
 D276,027 S 10/1984 Albert et al.  
 D279,267 S \* 6/1985 Morris ..... D9/454  
 D298,803 S 12/1988 Ebling  
 4,852,751 A 8/1989 Halfacre  
 D304,905 S 12/1989 Zimmerman  
 5,163,559 A 11/1992 Bunin  
 5,207,341 A 5/1993 Yeager  
 D337,725 S 7/1993 Bunin  
 5,385,252 A \* 1/1995 Hidding et al. .... 215/230  
 5,544,768 A 8/1996 Gargione  
 5,711,442 A 1/1998 Kusz  
 5,740,933 A 4/1998 Conti et al.  
 5,836,466 A 11/1998 Briere et al.  
 D401,762 S 12/1998 Abrams et al.  
 5,899,348 A 5/1999 Konefal et al.  
 6,000,546 A 12/1999 Noble  
 6,039,195 A 3/2000 Konefal et al.  
 6,076,689 A 6/2000 Vassallo  
 6,327,770 B1 12/2001 Konefal et al.  
 D457,819 S 5/2002 Noble et al.  
 D460,357 S 7/2002 Kras et al.  
 6,508,373 B1 1/2003 Robinson  
 D481,314 S \* 10/2003 Noonan ..... D9/438  
 D482,967 S 12/2003 Bourque et al.  
 D485,181 S 1/2004 Yourist  
 D516,911 S \* 3/2006 Bloom et al. .... D9/453  
 D520,874 S 5/2006 Gross et al.  
 D528,288 S 9/2006 Coe et al.  
 D568,450 S 5/2008 King, Jr. et al.  
 D578,889 S \* 10/2008 Sadiq ..... D9/453  
 D584,619 S \* 1/2009 Lohrman et al. .... D9/453  
 7,559,432 B2 \* 7/2009 Mavin et al. .... 220/258.2  
 D610,456 S \* 2/2010 Rognard ..... D9/452

D612,731 S 3/2010 Bragg  
 D613,827 S 4/2010 Damaske et al.  
 D614,952 S \* 5/2010 Caserta ..... D9/438  
 D616,745 S \* 6/2010 Stull et al. .... D9/452  
 D616,746 S \* 6/2010 Stull et al. .... D9/452  
 D616,747 S \* 6/2010 Stull et al. .... D9/452  
 D617,191 S \* 6/2010 Stull et al. .... D9/452  
 D619,003 S \* 7/2010 Benoit-Gonin et al. .... D9/453  
 7,798,330 B2 9/2010 Noble et al.  
 7,823,736 B1 11/2010 Pugne et al.  
 D632,958 S 2/2011 Fuchs  
 D638,294 S 5/2011 Heidel et al.  
 7,942,280 B2 5/2011 Priebe et al.  
 D639,161 S 6/2011 Webster  
 D642,918 S \* 8/2011 Taylor ..... D9/453  
 D642,919 S \* 8/2011 Taylor ..... D9/453  
 D642,920 S \* 8/2011 Taylor ..... D9/453  
 D643,288 S \* 8/2011 Taylor ..... D9/453  
 8,006,845 B2 8/2011 Noble et al.  
 D645,349 S 9/2011 Tilton  
 8,011,525 B2 9/2011 Robinson  
 D648,215 S 11/2011 Rigling et al.  
 D648,628 S 11/2011 Priebe et al.  
 D657,244 S 4/2012 Priebe et al.  
 2002/0166834 A1 11/2002 Branson et al.  
 2004/0040928 A1 \* 3/2004 Noonan ..... 215/252  
 2006/0070970 A1 4/2006 Shingle  
 2006/0113272 A1 \* 6/2006 Rodriguez et al. .... 215/252  
 2007/0062901 A1 3/2007 Konefal  
 2008/0087625 A1 \* 4/2008 Kumata et al. .... 215/252  
 2008/0251489 A1 \* 10/2008 Livingston et al. .... 215/250  
 2009/0120896 A1 \* 5/2009 Scarlata ..... 215/217  
 2009/0283492 A1 \* 11/2009 Molinaro et al. .... 215/256  
 2009/0301985 A1 \* 12/2009 Priebe et al. .... 215/211  
 2009/0301986 A1 \* 12/2009 Phelan et al. .... 215/252  
 2010/0200533 A1 \* 8/2010 Rice ..... 215/216  
 2011/0094990 A1 \* 4/2011 Sprishen et al. .... 215/217  
 2011/0180540 A1 \* 7/2011 Priebe et al. .... 220/315  
 2012/0228257 A1 \* 9/2012 Rabie ..... 215/252  
 2013/0043207 A1 \* 2/2013 Luzzato et al. .... 215/252

OTHER PUBLICATIONS

Photos of prior art pill boxes, in public use before May 11, 2012.  
 Design U.S. Appl. No. 29/420,707, filed May 11, 2012.

\* cited by examiner

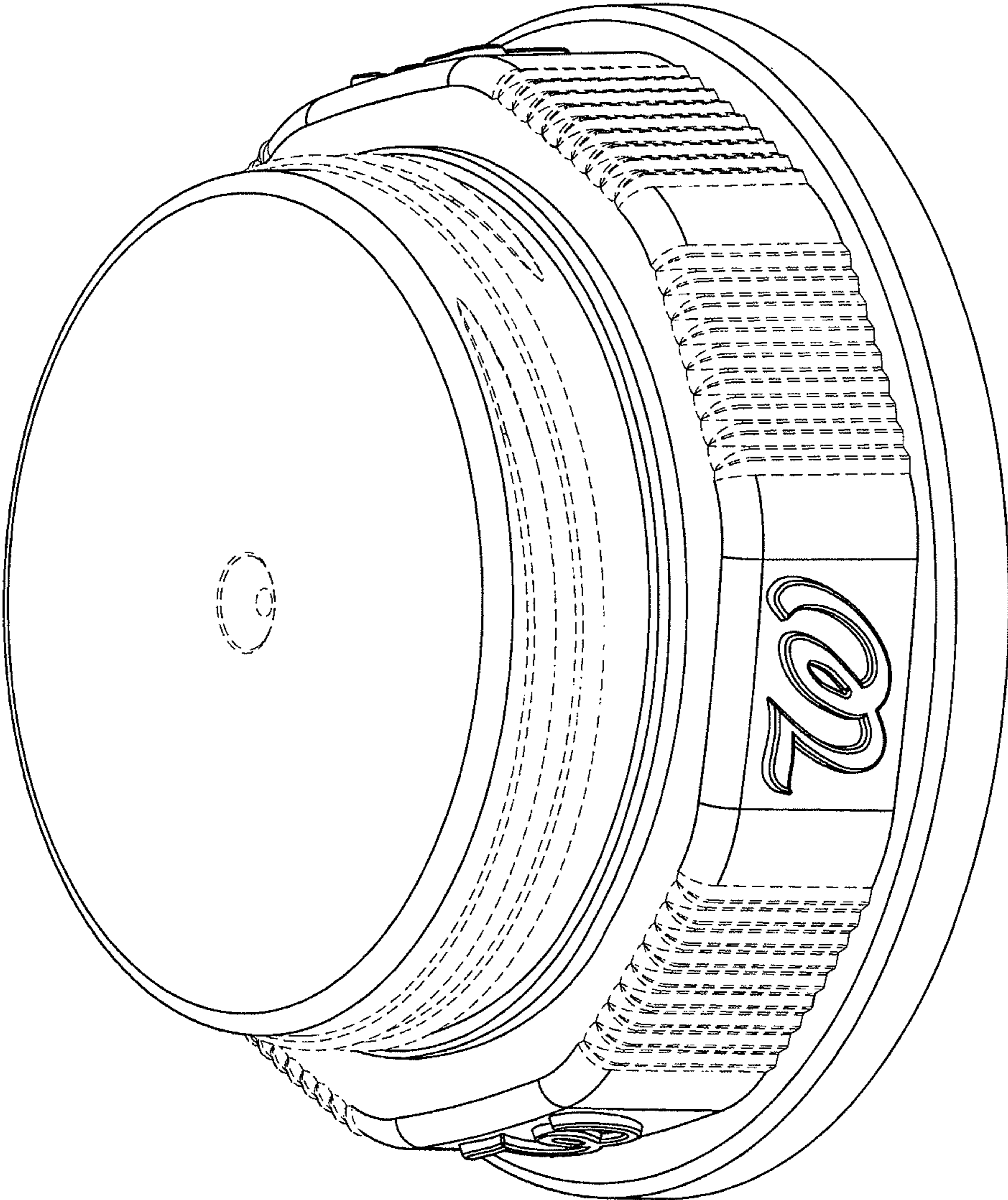


FIG. 1

FIG. 2

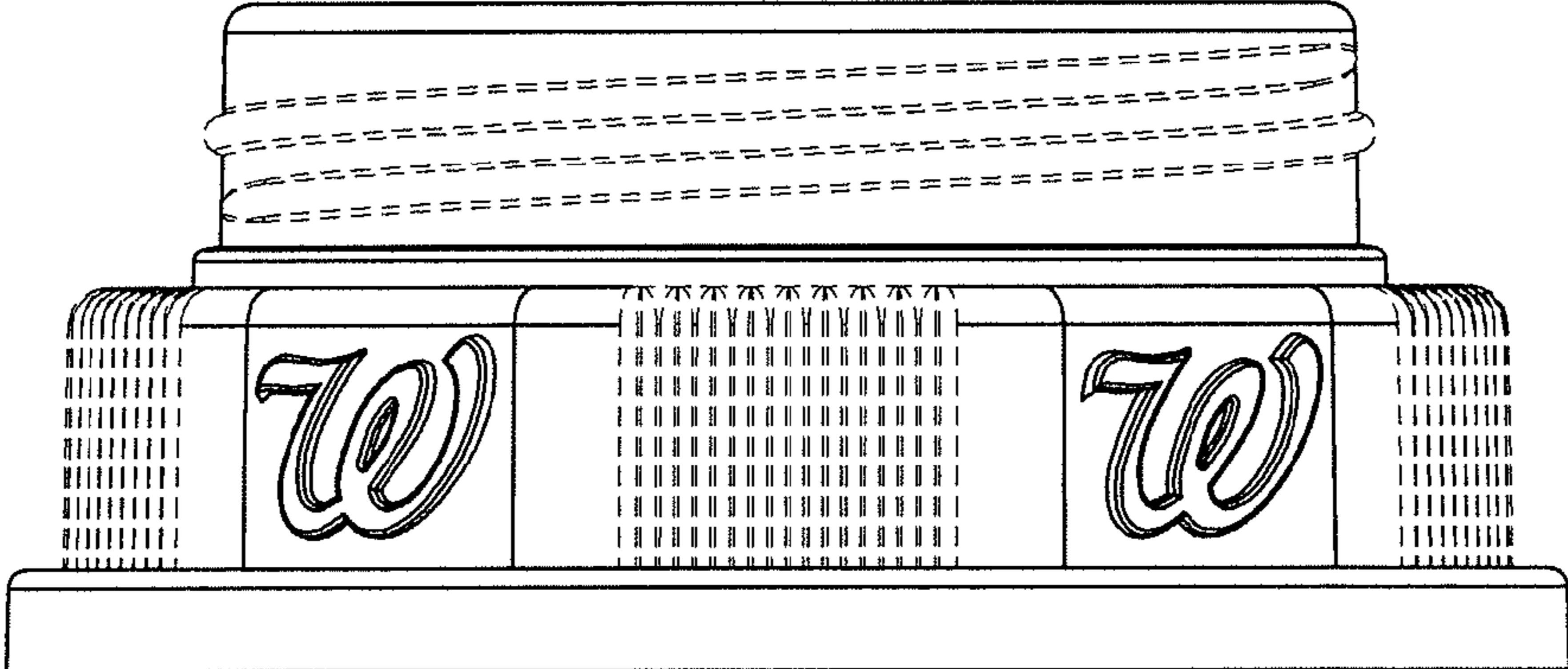


FIG. 3

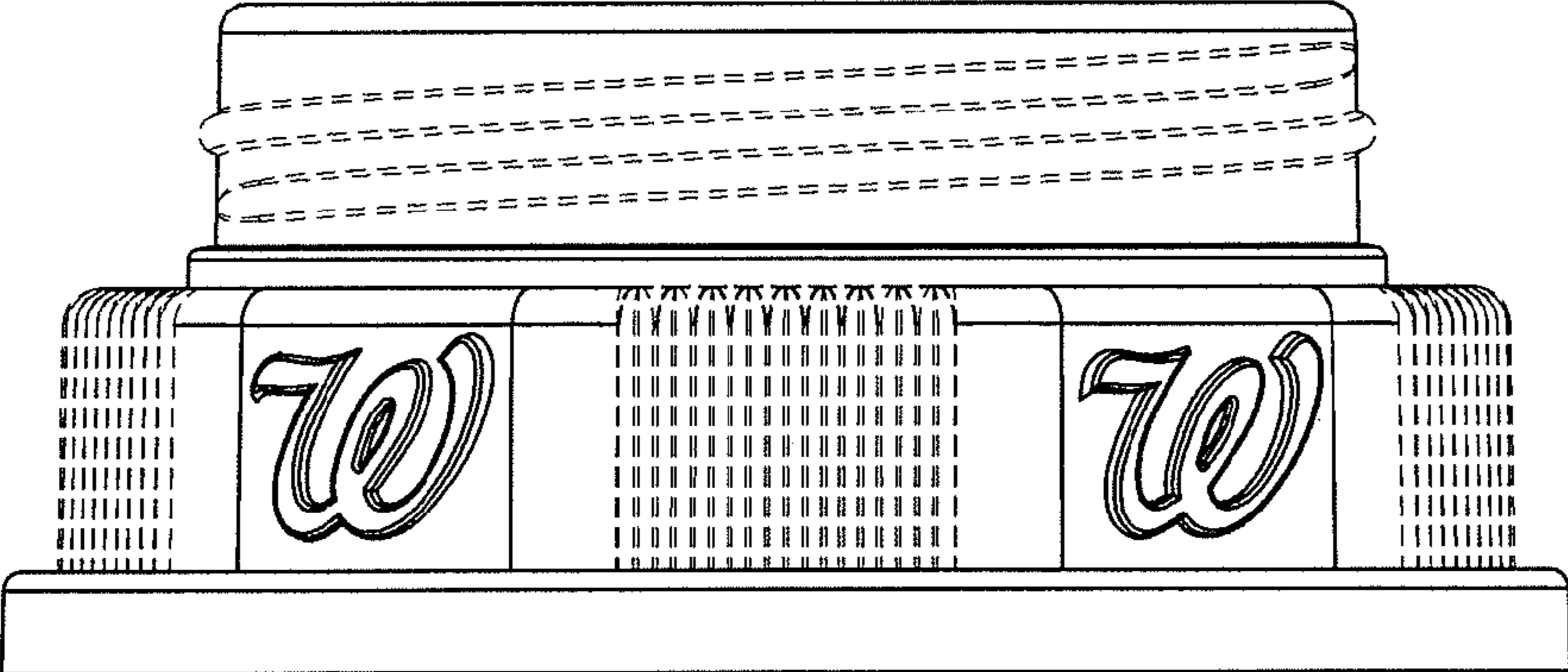


FIG. 4

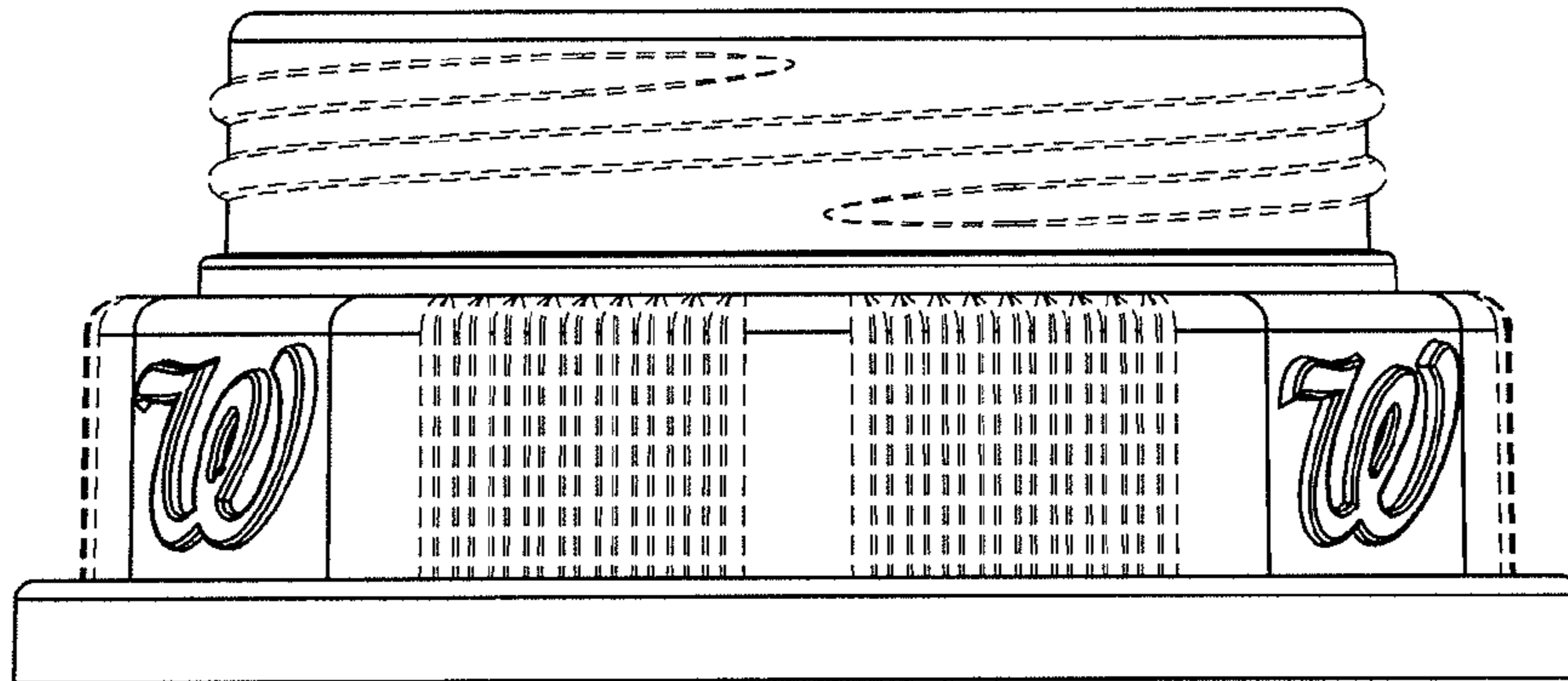


FIG. 5

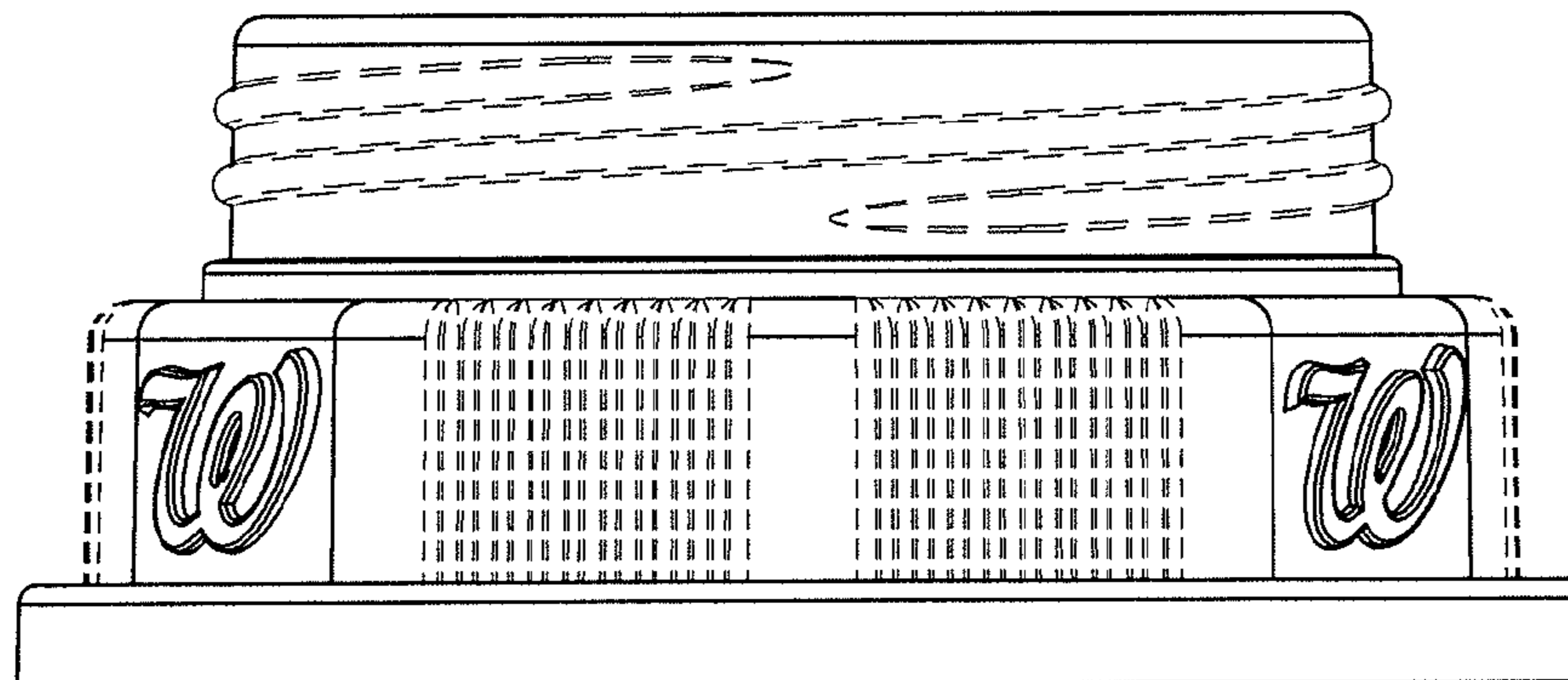


FIG. 6

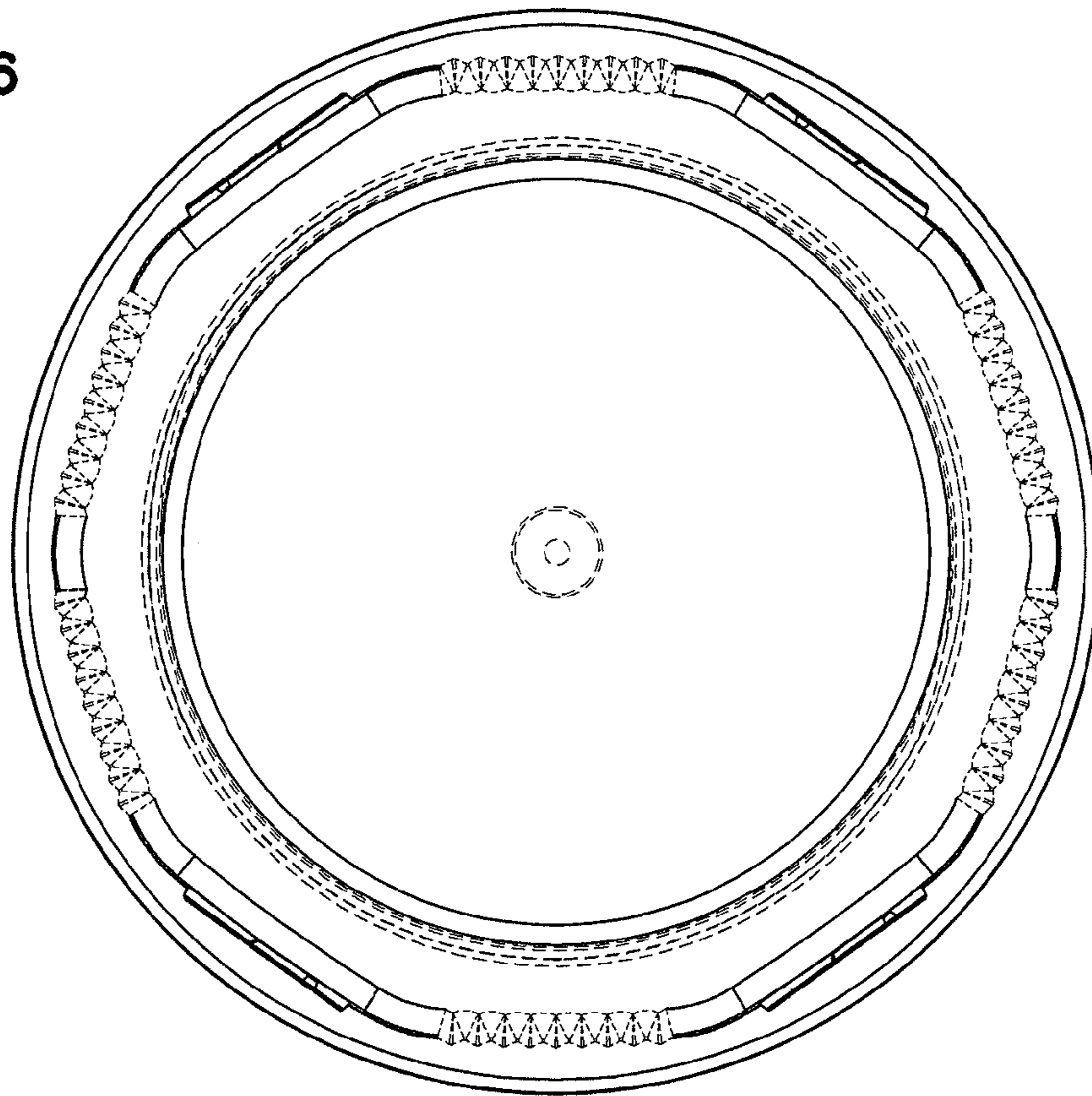
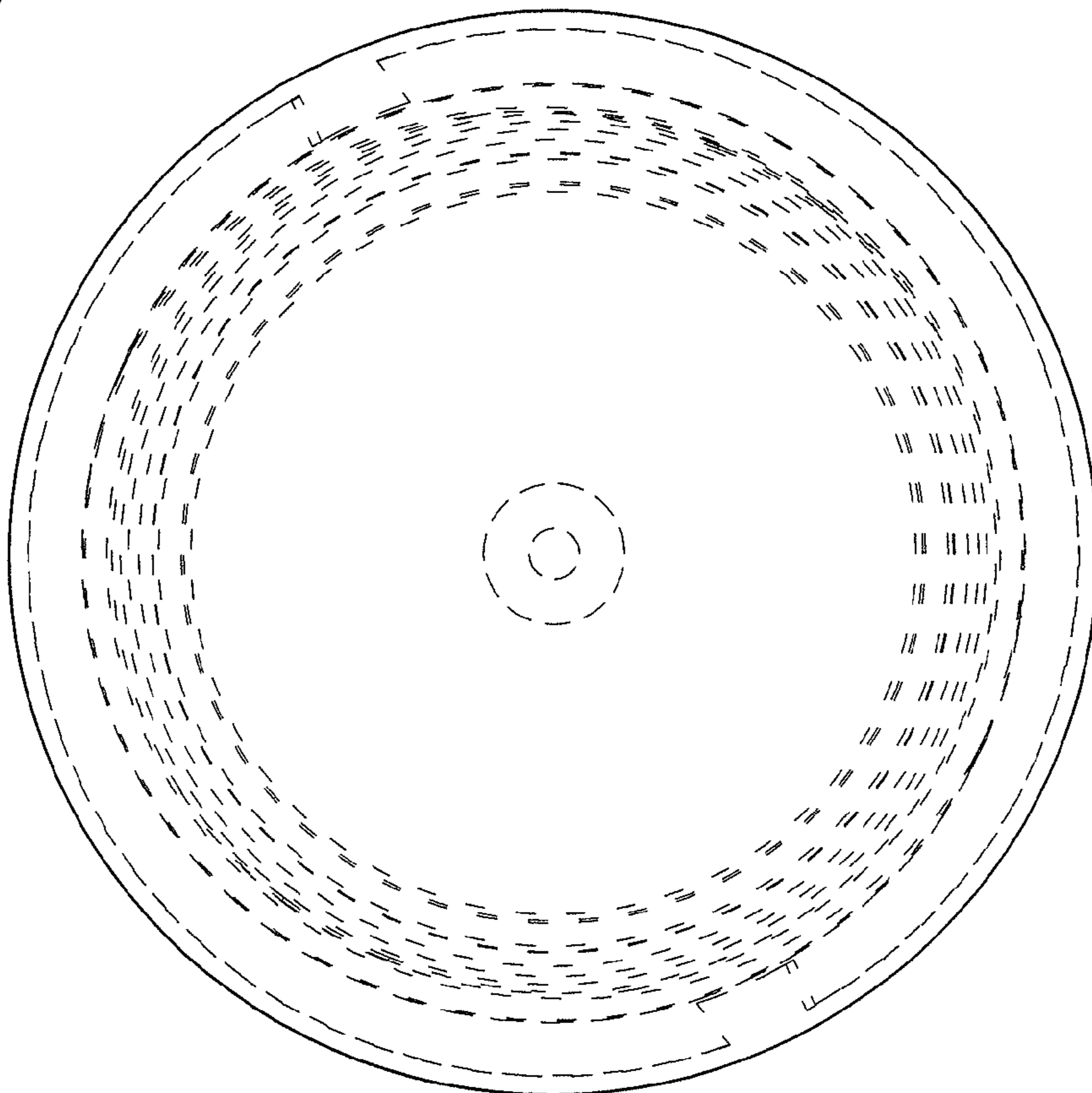


FIG. 7



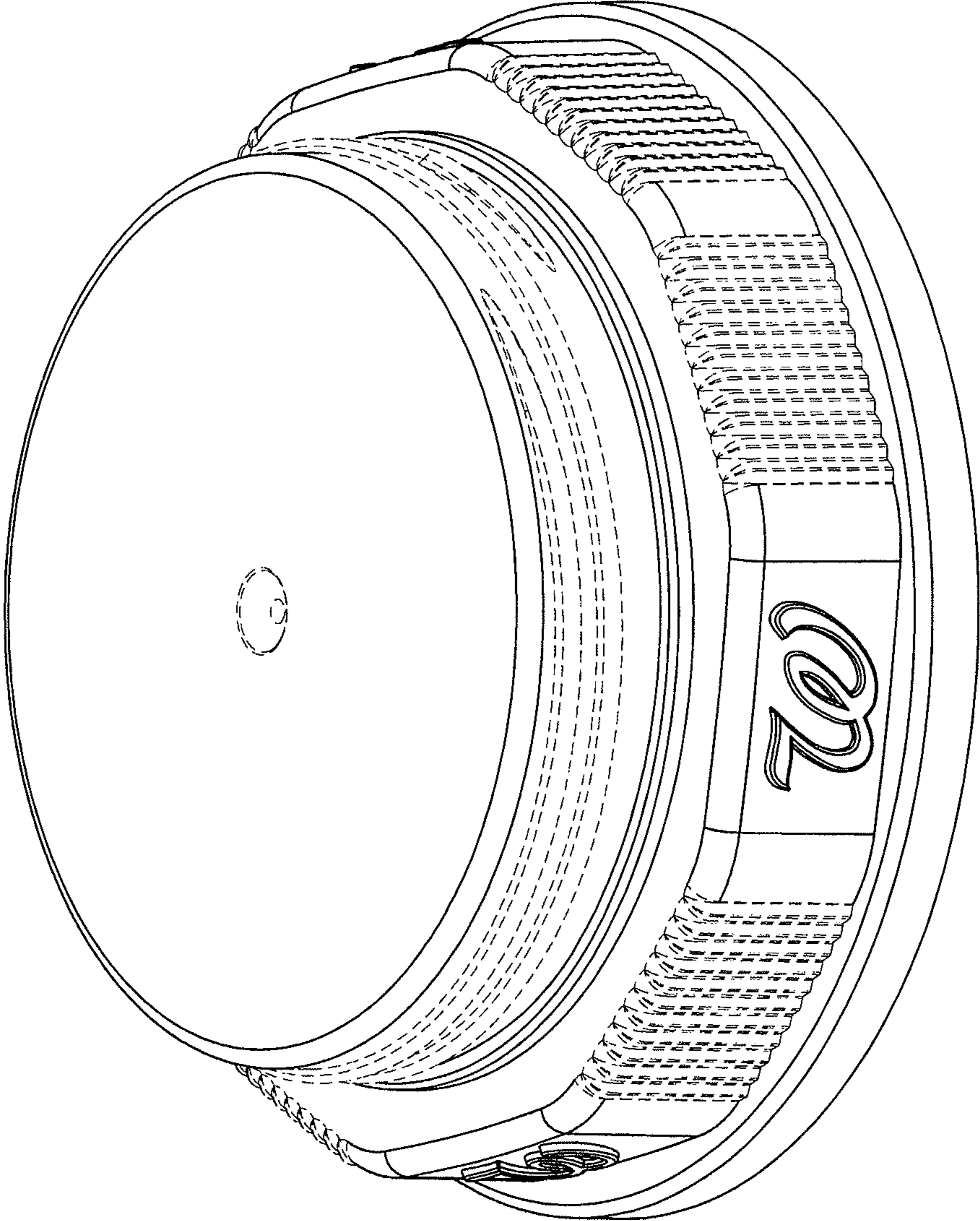


FIG. 8

FIG. 9

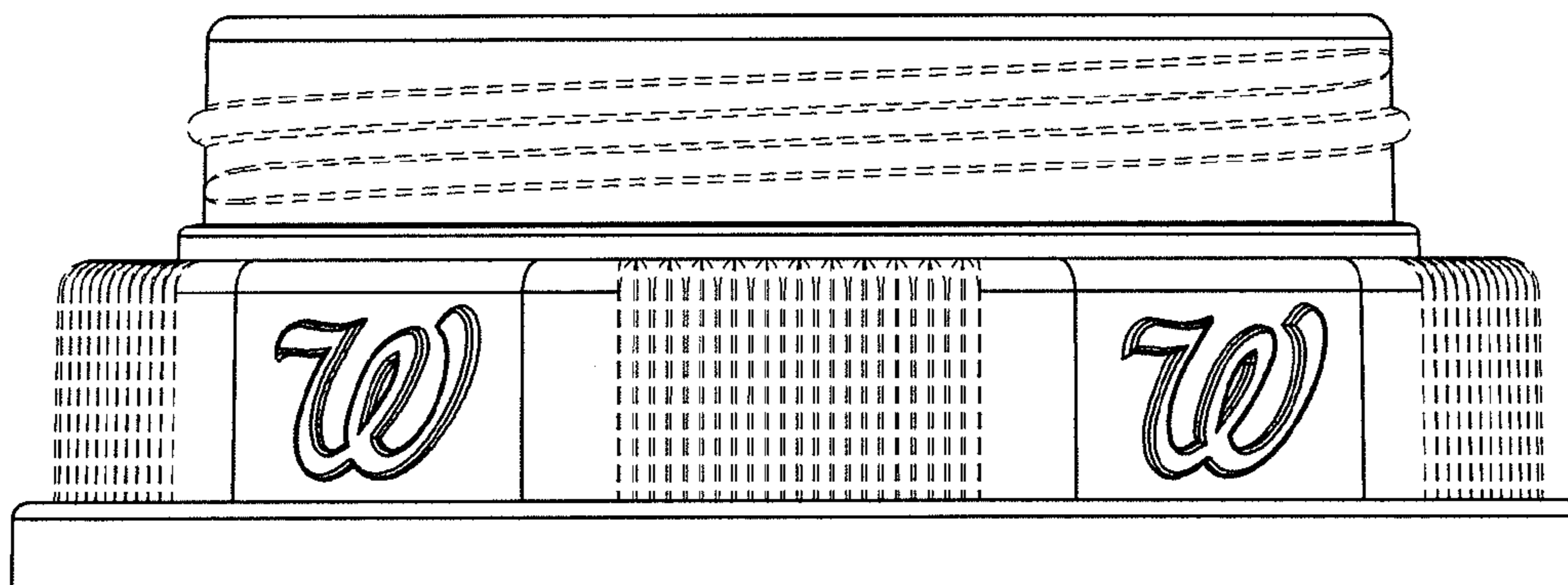


FIG. 10

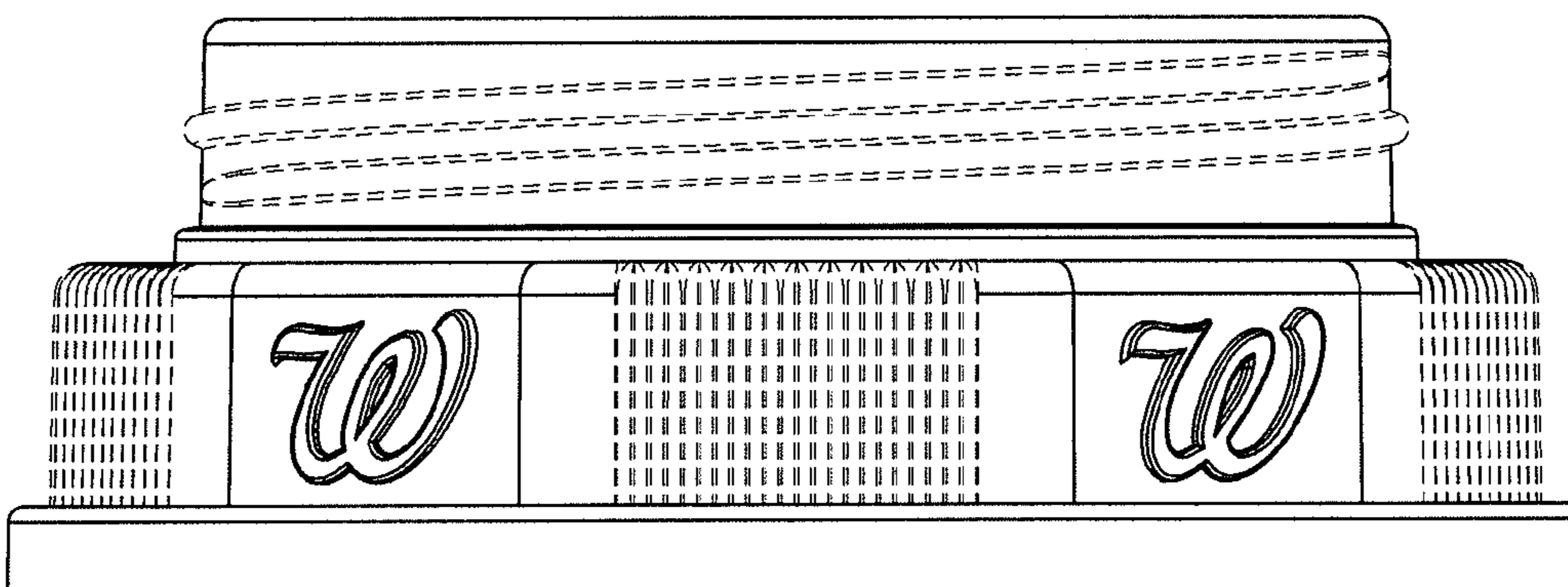




FIG. 11

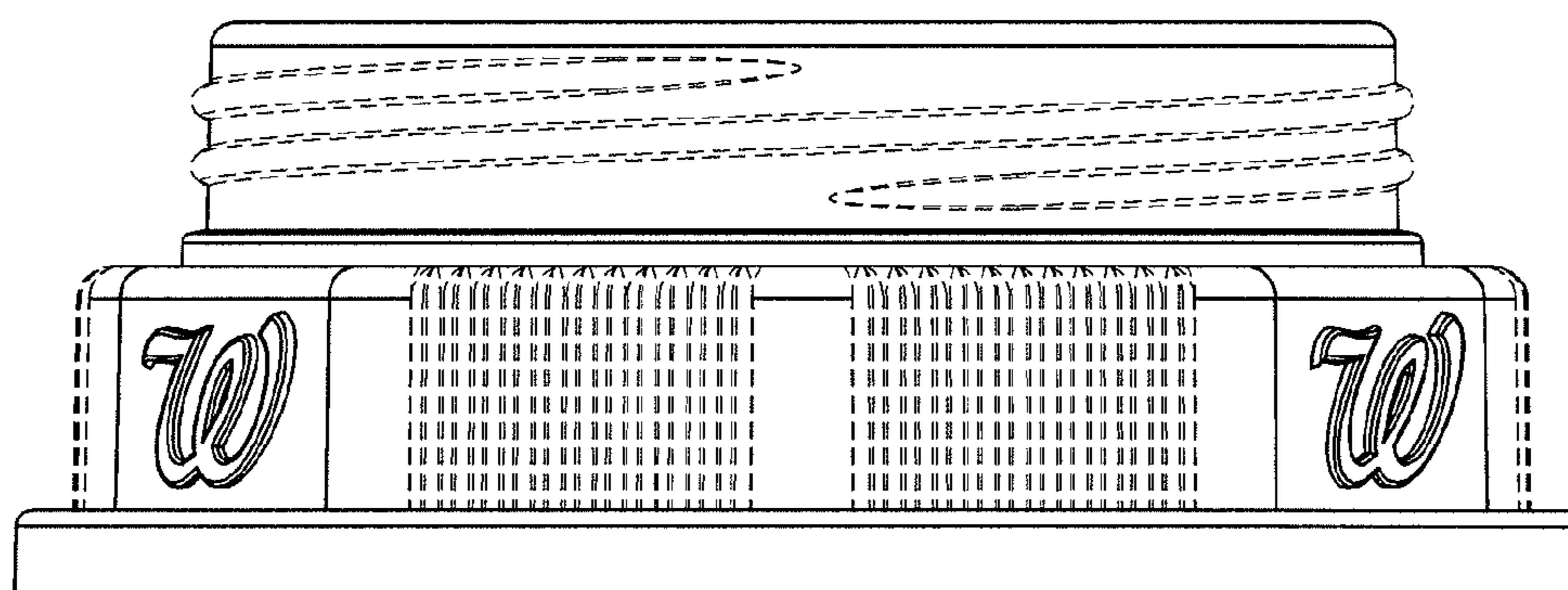


FIG. 12

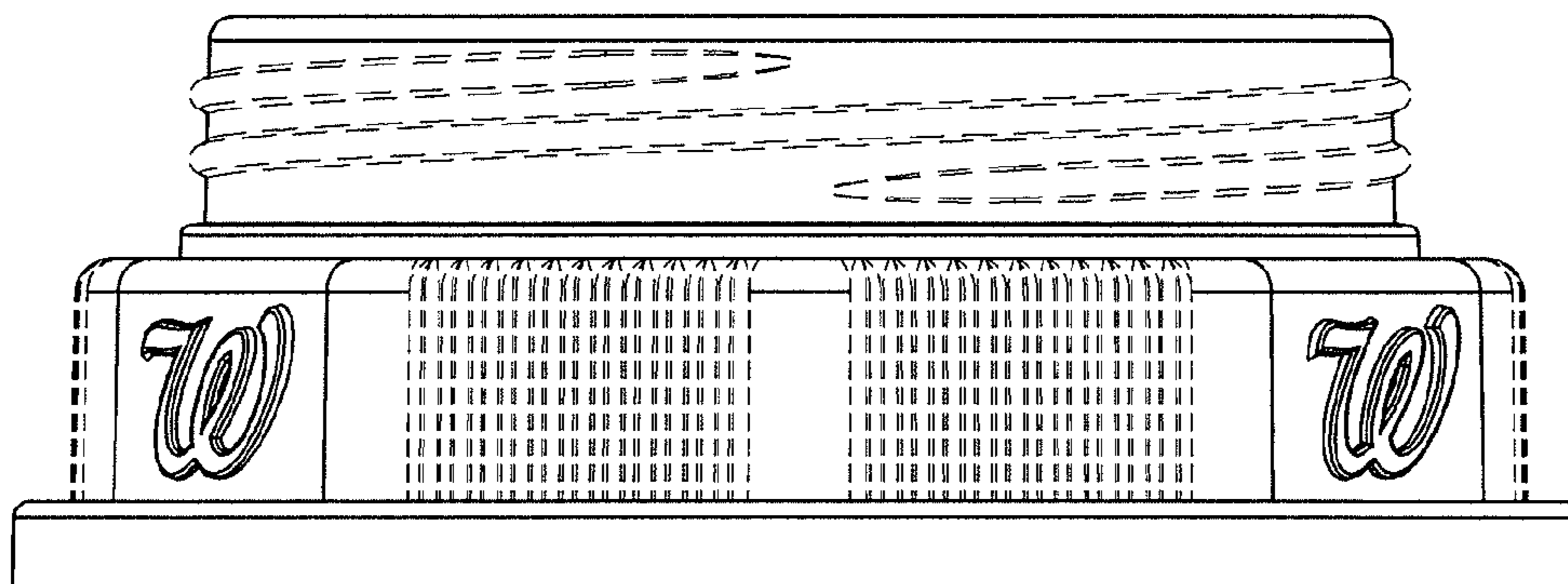


FIG. 13

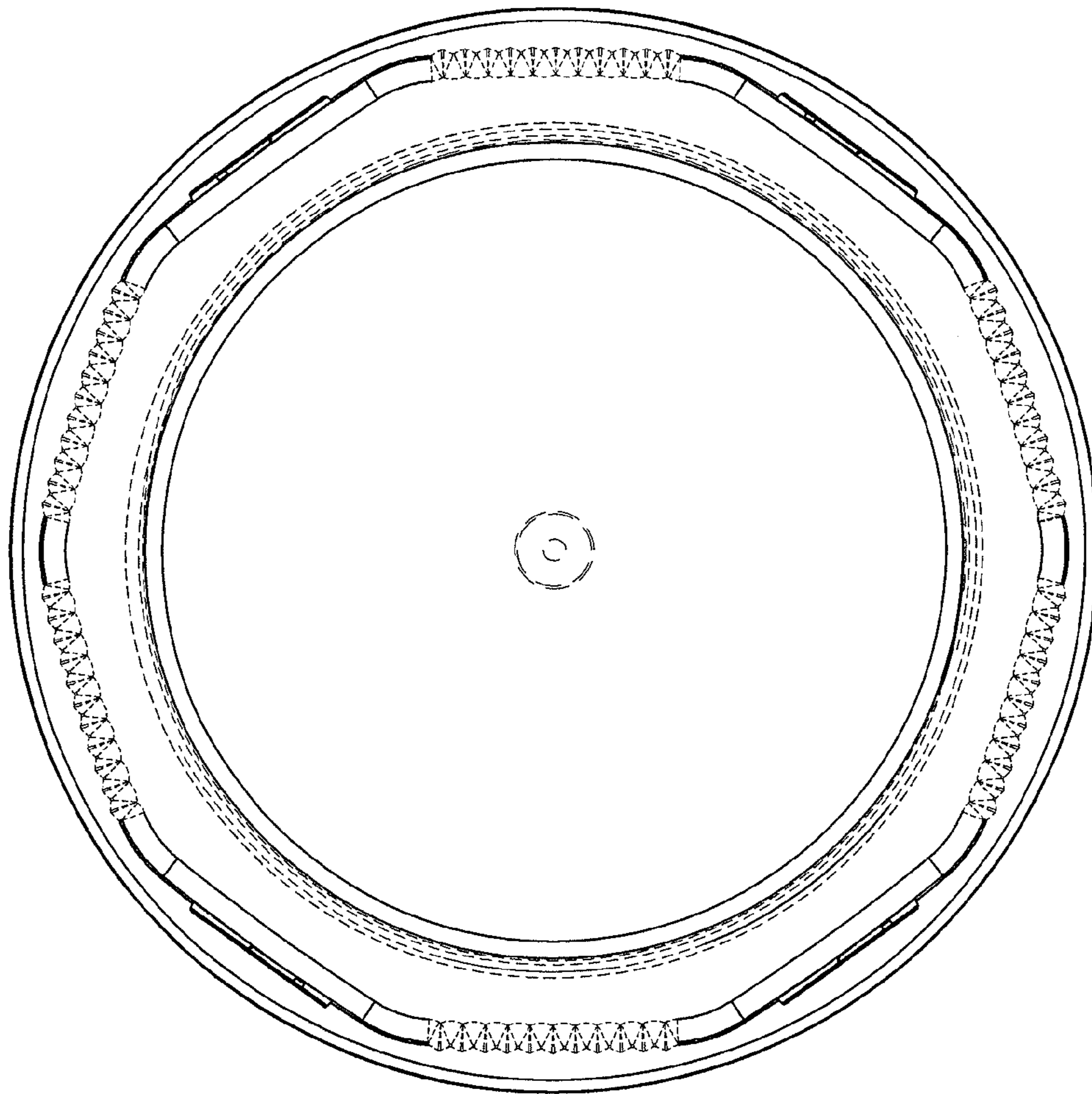
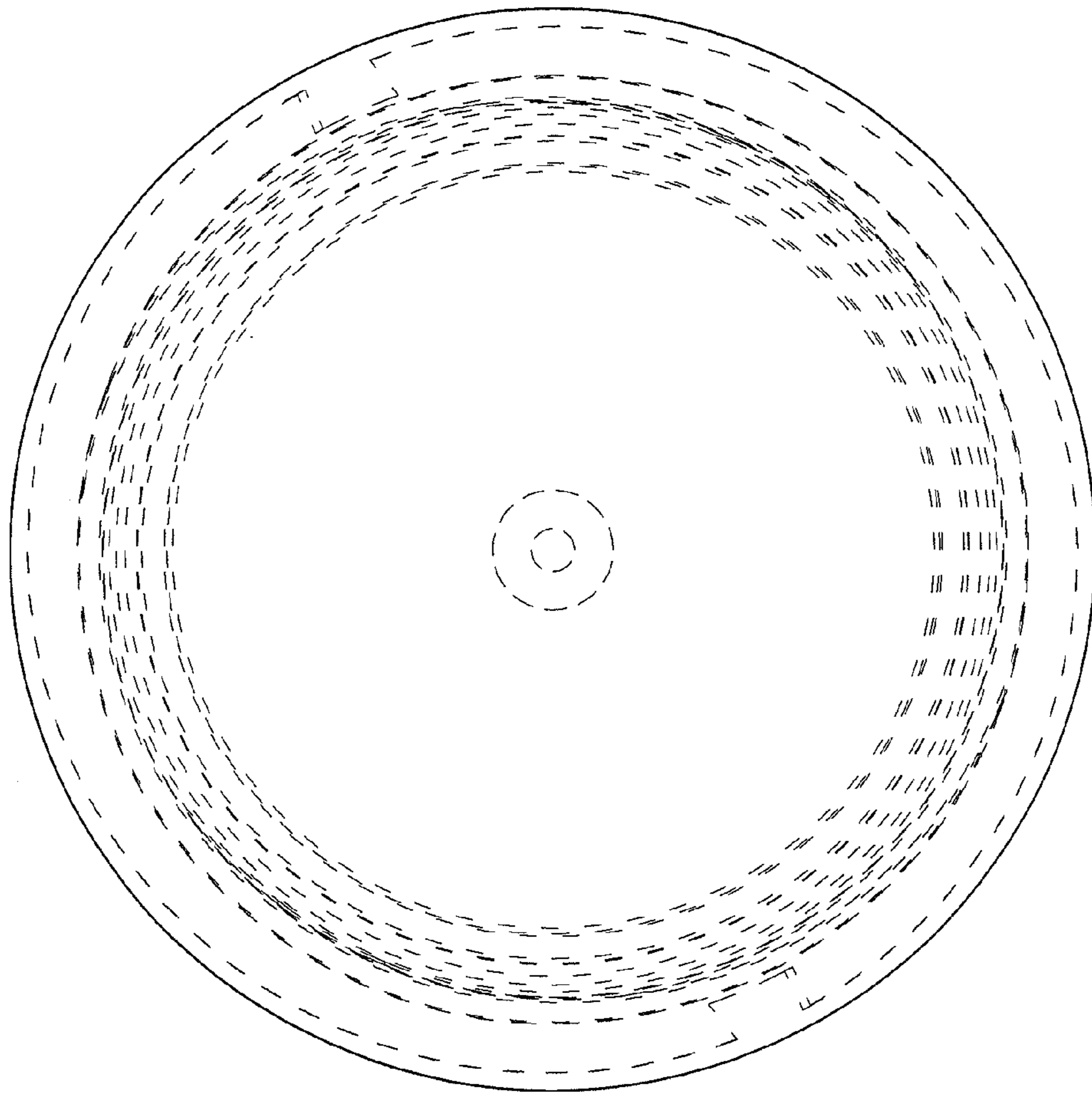


FIG. 14



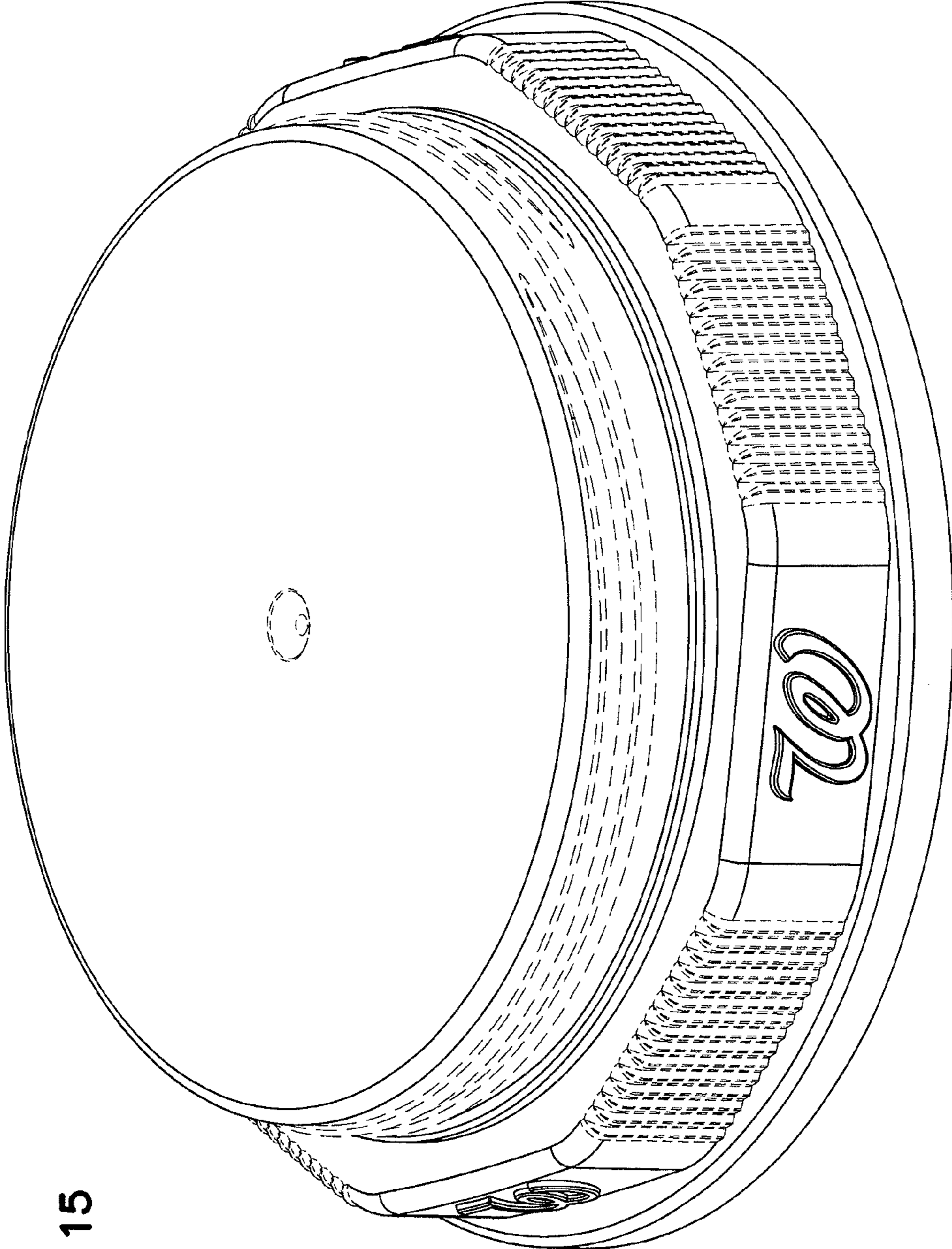


FIG. 15

FIG. 16

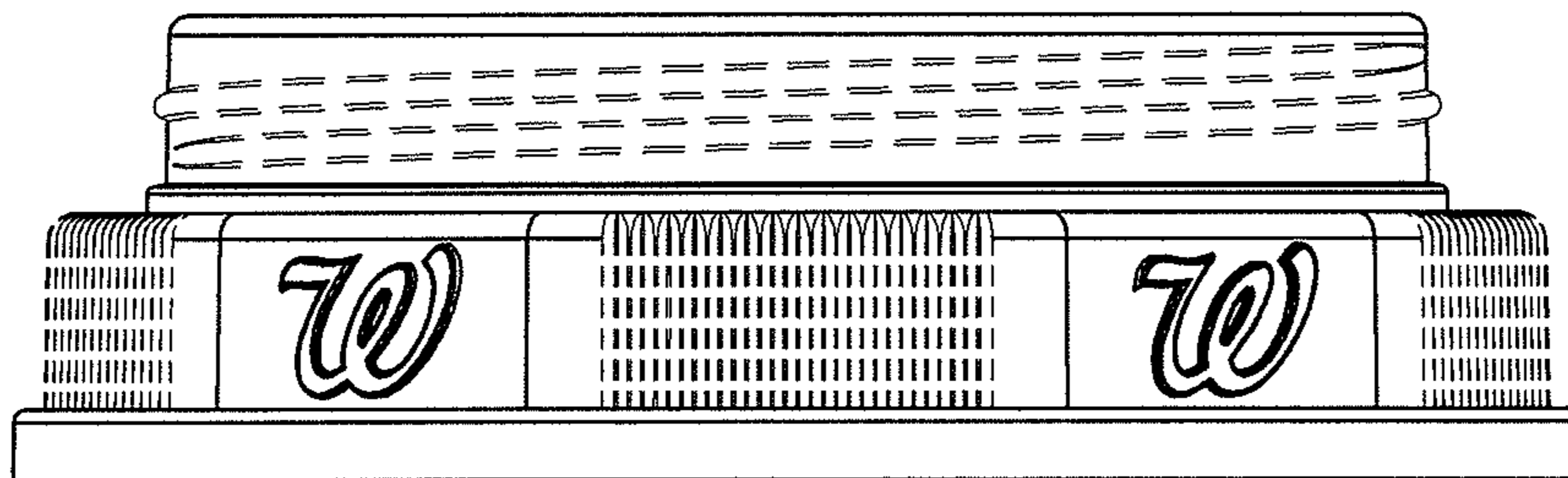


FIG. 17

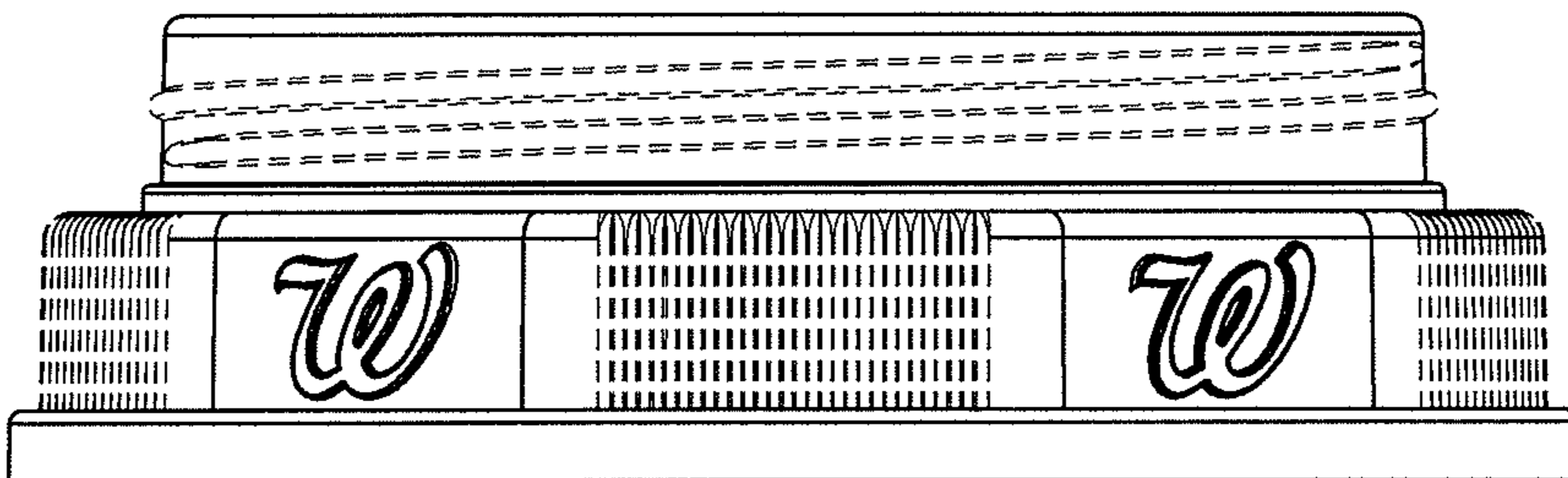


FIG. 18

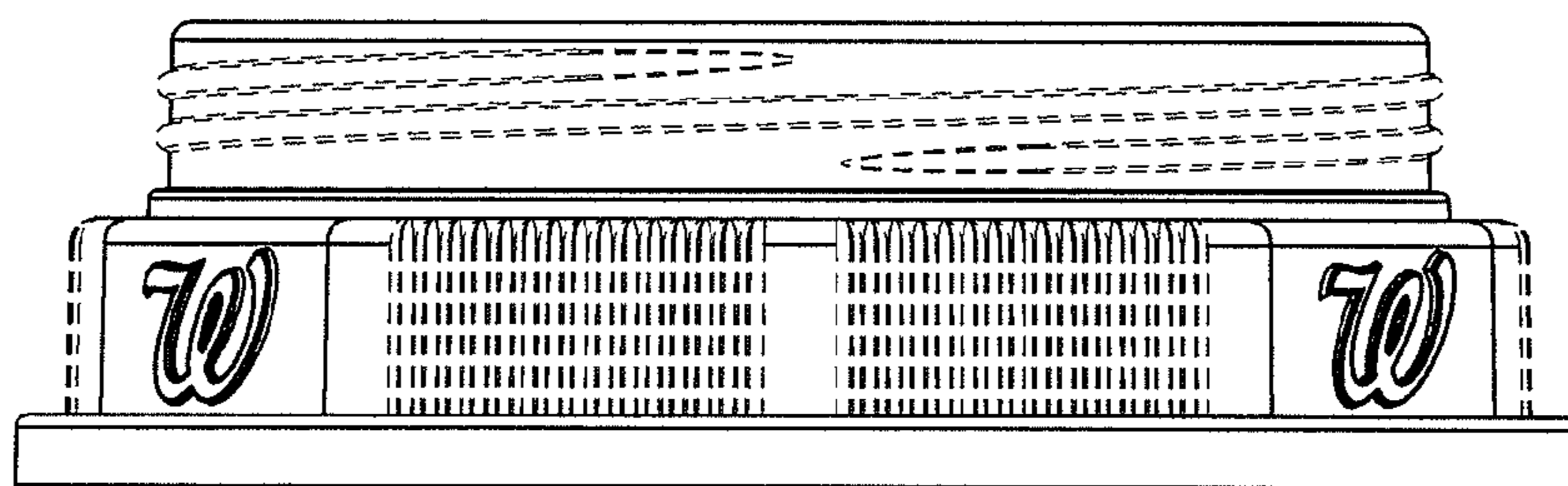


FIG. 19

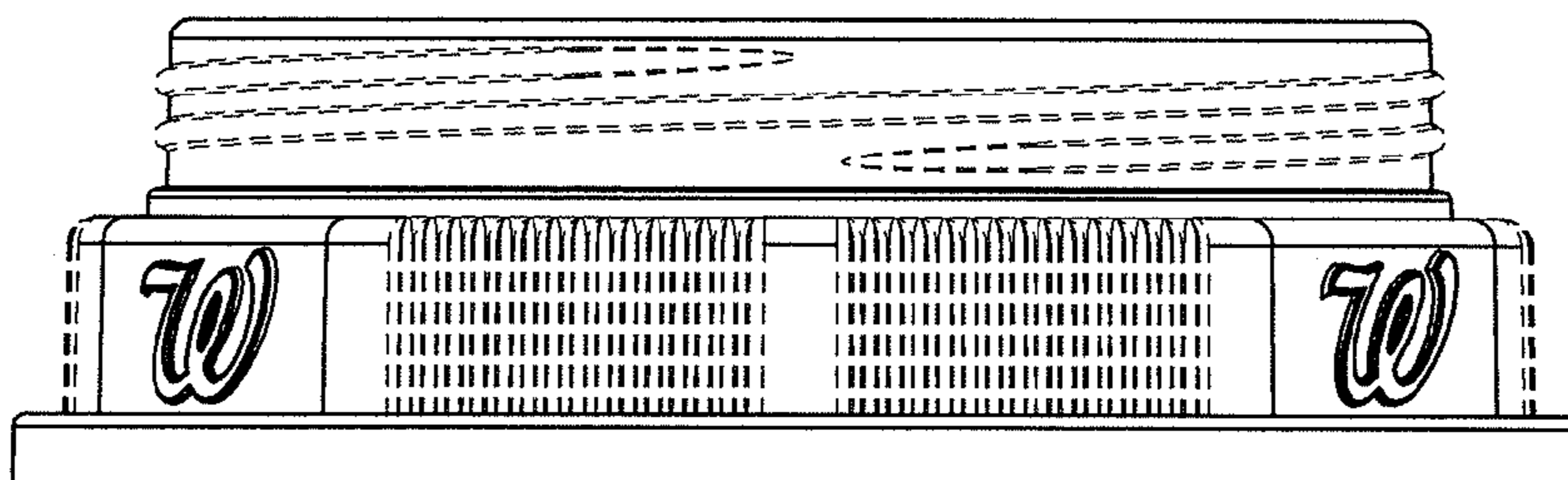


FIG. 20

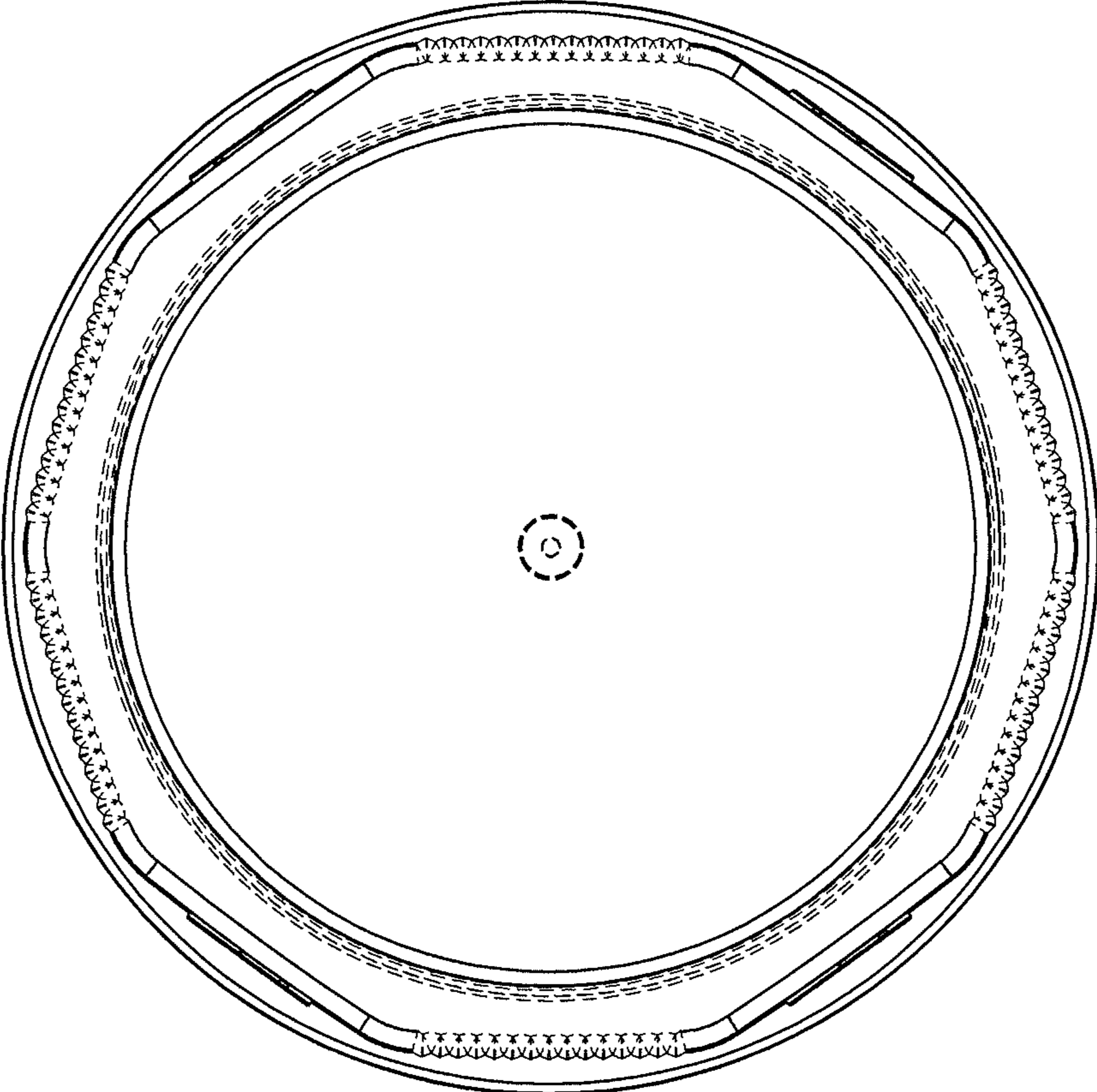


FIG. 21

