

US00D711738S

(12) **United States Design Patent**  
**Scott**

(10) **Patent No.:** **US D711,738 S**  
(45) **Date of Patent:** **\*\* Aug. 26, 2014**

(54) **BOX**

FOREIGN PATENT DOCUMENTS

(71) Applicant: **William Mitchell Scott**, Villa Hills, KY  
(US)

JP 52-171526 12/1977  
JP 7-35313 6/1995

(Continued)

(72) Inventor: **William Mitchell Scott**, Villa Hills, KY  
(US)

OTHER PUBLICATIONS

(\*\*) Term: **14 Years**

Acrylic Desktop File Holder; [http://www.alibaba.com/product-gs/541368370/acrylic\\_desktop\\_file\\_holder.html](http://www.alibaba.com/product-gs/541368370/acrylic_desktop_file_holder.html); Copyright © 1999-2012 Alibaba.com HongKong Limited and licensors; printed Oct. 24, 2012; p. 1-3.

(21) Appl. No.: **29/456,352**

(22) Filed: **May 30, 2013**

(Continued)

**Related U.S. Application Data**

(63) Continuation of application No. 29/419,400, filed on Apr. 27, 2012, now Pat. No. Des. 685,634.

*Primary Examiner* — Susan Bennett Hattan

*Assistant Examiner* — Vy Koenig

(51) **LOC (10) Cl.** ..... **09-07**

(74) *Attorney, Agent, or Firm* — Donald E. Hasse; Hasse & Nesbitt LLC

(52) **U.S. Cl.**

USPC ..... **D9/434**

(58) **Field of Classification Search**

USPC ..... D9/414, 416, 418, 420-424, 430-434;  
D3/272, 273, 302; 206/267, 269, 270,  
206/273, 299, 737, 740, 822; 229/100, 101,  
229/101.3, 106, 108-122, 122.3-123.3

See application file for complete search history.

(57) **CLAIM**

I claim the ornamental design for a box, as shown and described.

**DESCRIPTION**

(56) **References Cited**

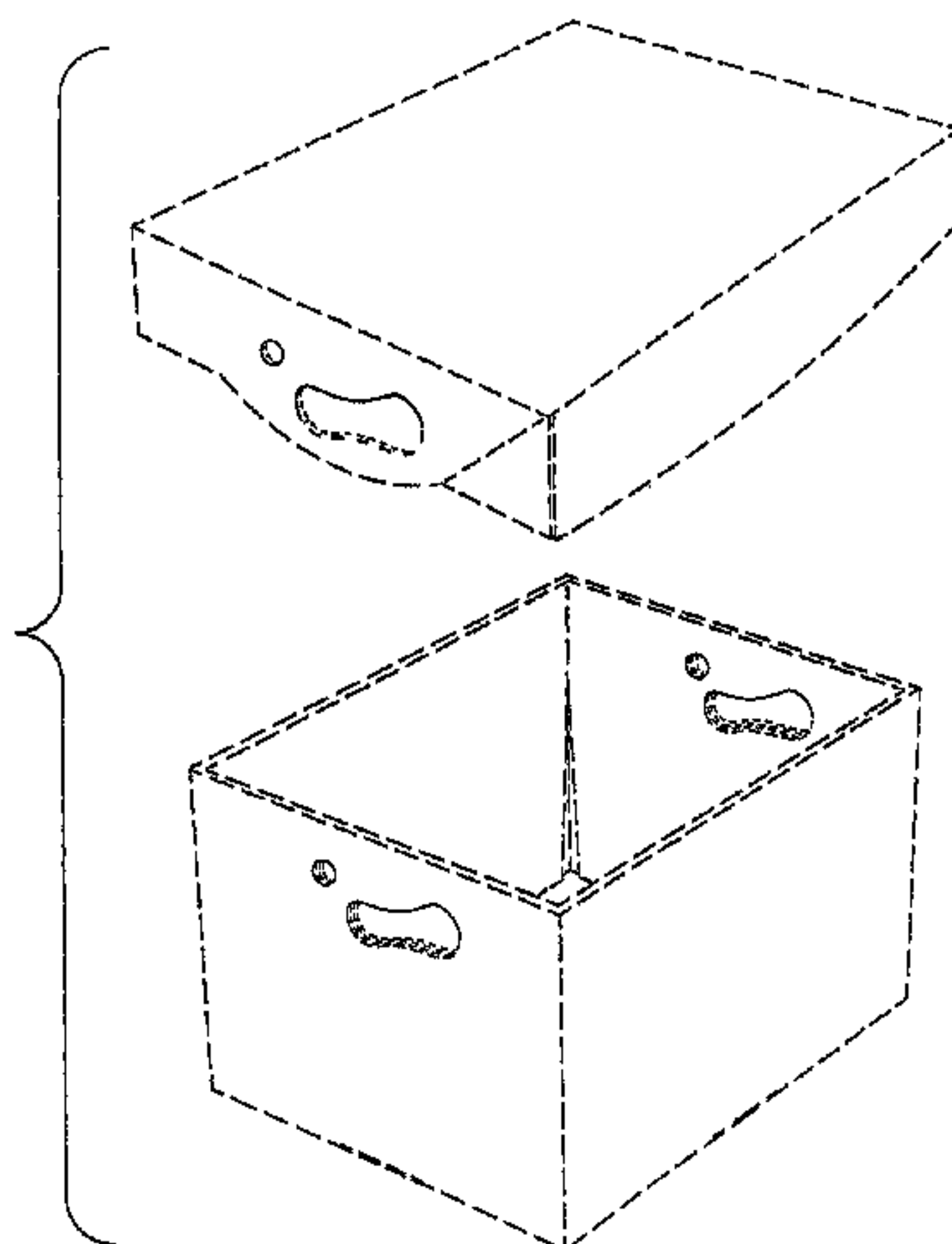
U.S. PATENT DOCUMENTS

238,117 A	2/1881	Hillman
600,879 A	3/1898	Louden
1,198,435 A	9/1916	Gebart
1,457,770 A	6/1923	Dodge
1,465,691 A	8/1923	Snedeker
1,623,547 A	4/1927	Neumann
1,865,688 A	7/1932	Hannaford
1,897,672 A	2/1933	Neumann
1,974,674 A	9/1934	Halladay et al.
2,019,371 A	10/1935	Tompkins
2,054,355 A	9/1936	Anderson, Jr.
2,076,065 A	4/1937	Kenneth

(Continued)

FIG. 1 is an exploded perspective view of the box;  
FIG. 2 is an exploded side view of the box, the opposite side being a mirror image;  
FIG. 3 is another side view of the box in a closed configuration, the opposite side being a mirror image;  
FIG. 4 is an exploded rear view of the box;  
FIG. 5 is an exploded front view of the box;  
FIG. 6 is a perspective view of the box in a closed configuration;  
FIG. 7 is a top view of the box; and,  
FIG. 8 is a bottom view of the box.  
The broken lines shown in the drawings depict environmental features that form no part of the claimed design.

**1 Claim, 7 Drawing Sheets**



(56)

References Cited

U.S. PATENT DOCUMENTS

2,094,054 A	9/1937	Bixby	3,860,113 A	1/1975	Helms
2,124,409 A	7/1938	Andrews	3,862,687 A	1/1975	Pirman
RE21,386 E	3/1940	Crawford	3,910,483 A	10/1975	Ritter
2,201,462 A	5/1940	Wells et al.	3,952,940 A	4/1976	Malcolm
2,218,509 A	10/1940	Goodyear	D242,021 S	10/1976	Shanklin
2,249,265 A	7/1941	Bauder	4,030,600 A	6/1977	Heaps
2,253,008 A	8/1941	Anderson, Jr.	D244,994 S	7/1977	Flanagan
2,289,619 A	7/1942	Anderson, Jr.	4,082,215 A	4/1978	Eichenauer
2,297,284 A	9/1942	Blackman	4,101,052 A	7/1978	Dove
2,307,349 A	1/1943	Anderson, Jr.	4,114,300 A	9/1978	Holson
2,307,350 A	1/1943	Anderson, Jr.	4,127,228 A	11/1978	Hall
2,330,294 A	9/1943	Leavitt et al.	4,142,665 A	3/1979	Jewell et al.
2,365,182 A	12/1944	Ferguson	4,172,522 A	10/1979	Muller et al.
2,418,963 A	4/1947	Anderson, Jr.	4,199,832 A	4/1980	Glasscock et al.
2,460,230 A	1/1949	Makrianes	4,201,330 A	5/1980	Gilbert
2,487,302 A	11/1949	Bradley	4,228,904 A	10/1980	Dumond
2,523,908 A	9/1950	Johnsen	4,230,261 A	10/1980	Austin
2,537,801 A	1/1951	Swatsick	4,265,391 A	5/1981	Zornes et al.
2,544,283 A	3/1951	Snyder	4,285,150 A	8/1981	Richardson et al.
2,559,552 A	7/1951	Welshenbach	4,291,830 A	9/1981	Sorensen
2,561,979 A	7/1951	George	D263,899 S *	4/1982	Lynn ..... D3/303
2,564,948 A	8/1951	Beck, Jr. et al.	4,325,493 A	4/1982	Paige
2,597,847 A	5/1952	Reeser	4,339,069 A	7/1982	Poteet
2,604,255 A	7/1952	Welshenbach	4,356,952 A	11/1982	Rekow
2,629,499 A	2/1953	Welshenbach	4,380,290 A	4/1983	Luebke
2,634,038 A	4/1953	George et al.	4,504,497 A	3/1985	Kurth et al.
2,645,353 A	7/1953	Anderson, Jr.	4,531,667 A	7/1985	Meade
2,654,527 A	10/1953	Geckler et al.	4,542,832 A	9/1985	Minick et al.
2,698,124 A	12/1954	Hines	4,588,077 A	5/1986	Champlin et al.
2,769,550 A	11/1956	Rollins et al.	4,617,702 A	10/1986	Diederich, Jr.
2,788,933 A	4/1957	Kessler	4,655,366 A	4/1987	Sykes
2,822,973 A	2/1958	Armstrong et al.	4,717,023 A	1/1988	Oprean
2,827,222 A	3/1958	Buttery	D297,214 S	8/1988	Forbes, Jr.
D186,672 S	11/1959	Gilruth	4,768,704 A	9/1988	Beckway et al.
2,925,210 A	2/1960	Fallert	4,817,861 A	4/1989	Henrikson
2,981,455 A	4/1961	Cope	4,830,268 A	5/1989	Pitts
3,002,650 A	10/1961	Lovell	4,838,436 A	6/1989	Bailey
3,005,717 A	10/1961	Pilibos	4,905,834 A	3/1990	Mur Gimeno et al.
3,049,279 A	8/1962	Mairs et al.	4,927,074 A	5/1990	LaRue et al.
3,107,041 A	10/1963	Wagner, Jr.	4,948,033 A	8/1990	Halsell, II et al.
3,114,493 A	12/1963	Dunkin	4,961,497 A	10/1990	Sherer et al.
3,118,588 A	1/1964	Noble	D312,402 S	11/1990	Boggus, Jr.
3,138,283 A	6/1964	Peebles	D312,531 S	12/1990	Sherer et al.
3,155,235 A	11/1964	Maich	D315,098 S	3/1991	Hutcheson
D200,699 S	3/1965	Pappas	5,011,071 A	4/1991	Lopez
3,175,750 A	3/1965	Bump	5,016,814 A	5/1991	Fullerton
3,186,586 A	6/1965	Box	5,042,657 A	8/1991	Dunn
3,195,798 A	7/1965	Wilson	5,042,715 A	8/1991	McNeill
3,206,098 A	9/1965	Stenger	5,064,069 A	11/1991	Su
3,270,946 A	9/1966	Redpath	5,076,491 A	12/1991	Freudentahl et al.
D206,304 S	11/1966	Pinzke	D326,341 S	5/1992	Frauhiger
3,282,462 A	11/1966	Box	5,111,957 A	5/1992	Hollander et al.
3,301,386 A	1/1967	Carter	5,119,950 A	6/1992	Takemura
3,301,461 A	1/1967	Kroeschell	5,148,942 A	9/1992	Snook
3,314,532 A	4/1967	Henry	5,148,973 A	9/1992	Zimmermann
3,366,496 A	1/1968	Bomar et al.	5,156,328 A	10/1992	Wozniacki
3,379,341 A	4/1968	Miles	5,295,632 A	3/1994	Zink et al.
3,391,698 A	7/1968	Wiles	5,322,167 A	6/1994	Birutis et al.
3,392,904 A	7/1968	Wei	D348,390 S	7/1994	Van Ness
3,396,898 A	8/1968	Dorfmann	5,333,777 A	8/1994	Roth
3,438,562 A	4/1969	Connor et al.	5,335,844 A	8/1994	Young
3,568,918 A *	3/1971	Blomqvist ..... 383/109	5,402,932 A	4/1995	Fadaie
3,622,063 A	11/1971	McVeigh	5,411,145 A	5/1995	Parks
3,664,494 A	5/1972	Mergens	5,429,295 A	7/1995	Levy
3,667,666 A	6/1972	Pryor	D361,892 S	9/1995	Quaintance
3,670,949 A	6/1972	Galanes	5,494,161 A	2/1996	Herbst
3,684,159 A	8/1972	Wolfe	5,503,324 A	4/1996	Bacchetti et al.
3,692,231 A	9/1972	Neitzke et al.	5,505,371 A	4/1996	O'Neill
3,698,625 A	10/1972	Graser	D372,673 S	8/1996	Turner
3,713,579 A	1/1973	Chaffers	5,579,917 A	12/1996	Lofgren et al.
3,724,920 A	4/1973	Beck	5,699,959 A	12/1997	Huspeka et al.
3,727,827 A	4/1973	Stice	D391,079 S	2/1998	Conti et al.
3,797,731 A	3/1974	Weldon	D394,950 S	6/1998	Kite
3,831,834 A	8/1974	Elward	5,765,695 A	6/1998	Picciallo
3,844,473 A	10/1974	Whelan	5,779,129 A	7/1998	Herbst et al.
			5,794,780 A	8/1998	Parrella et al.
			D398,228 S	9/1998	Herbst et al.
			D398,230 S	9/1998	Herbst et al.
			D399,366 S	10/1998	Stravitz



(56)

References Cited

U.S. PATENT DOCUMENTS

5,884,783 A 3/1999 Proulx  
 5,887,782 A 3/1999 Mueller  
 5,890,650 A 4/1999 Penson  
 5,908,152 A 6/1999 Tullis  
 D419,302 S 1/2000 Hardy et al.  
 D420,704 S 2/2000 Coe  
 D421,183 S 2/2000 Koskinen  
 6,036,042 A 3/2000 Pietruch et al.  
 D422,499 S 4/2000 Herbst et al.  
 D423,587 S 4/2000 Conley et al.  
 D424,117 S 5/2000 Steinbeck et al.  
 D425,128 S 5/2000 Conley et al.  
 D425,562 S 5/2000 Conley et al.  
 6,059,180 A 5/2000 Collins  
 6,070,719 A 6/2000 Pollock  
 6,123,254 A 9/2000 Dupuis  
 6,135,347 A 10/2000 Mueller  
 D434,223 S 11/2000 Dombrowski  
 6,149,052 A 11/2000 Mueller  
 6,164,461 A 12/2000 Ward et al.  
 D436,728 S 1/2001 Harding  
 D441,653 S \* 5/2001 LeRoux ..... D9/434  
 D442,780 S 5/2001 Hiernard  
 6,237,840 B1 5/2001 Grabowski et al.  
 6,290,124 B2 9/2001 Andrews, Sr. et al.  
 D448,567 S 10/2001 Buss  
 D448,568 S 10/2001 Sadr  
 6,311,891 B1 11/2001 Gardner  
 D451,675 S 12/2001 Hardy et al.  
 D453,275 S 2/2002 Stravitz  
 6,352,157 B1 3/2002 Srinivasan  
 D461,120 S 8/2002 Ostro  
 6,439,452 B1 8/2002 Tsao  
 6,499,781 B1 \* 12/2002 Flynn ..... 294/159  
 D468,638 S 1/2003 Nogami et al.  
 6,527,167 B1 3/2003 Sheffer  
 D477,217 S 7/2003 Riedi  
 6,604,675 B2 8/2003 Southwell  
 6,619,540 B1 9/2003 Bazany  
 D480,273 S 10/2003 Cordwell  
 6,641,032 B1 11/2003 Schilling  
 6,669,080 B2 12/2003 Ong  
 D485,466 S 1/2004 Haruhiro  
 6,705,515 B2 3/2004 Dowd  
 6,708,874 B1 3/2004 Montgomery  
 6,719,191 B1 4/2004 Christensen et al.  
 D494,759 S 8/2004 Louie et al.  
 D495,490 S 9/2004 Garrett et al.  
 6,830,156 B2 12/2004 MacKelvie  
 D503,614 S 4/2005 Sax et al.  
 6,889,893 B2 5/2005 Kent  
 D507,404 S 7/2005 Moon et al.  
 D508,042 S 8/2005 Oikawa  
 D510,521 S \* 10/2005 Lebras ..... D9/434  
 D510,823 S 10/2005 Ng et al.  
 D518,526 S 4/2006 Benn  
 D518,708 S 4/2006 Ohayon  
 D526,357 S 8/2006 Killinger et al.  
 D526,893 S 8/2006 Nixon  
 D527,424 S 8/2006 Long  
 D536,964 S 2/2007 Smith et al.  
 D539,036 S 3/2007 Potts et al.  
 D542,033 S 5/2007 Kopenhaver et al.  
 7,210,614 B2 5/2007 Mazurek  
 D548,072 S 8/2007 Nixon  
 D548,782 S 8/2007 Nash  
 D549,096 S 8/2007 Ayats et al.  
 D549,575 S 8/2007 Pinkstone  
 D551,860 S 10/2007 Northrop  
 D558,047 S 12/2007 Pinkstone  
 7,331,451 B2 2/2008 Focke et al.  
 D569,105 S 5/2008 Van Hoorn  
 D570,684 S 6/2008 Kisch  
 7,387,350 B2 6/2008 Killinger et al.  
 D575,452 S 8/2008 Jones et al.

7,410,094 B2 8/2008 Bos  
 7,438,198 B2 10/2008 Pickles  
 D581,782 S 12/2008 Kisch  
 D583,660 S 12/2008 Steiger et al.  
 D587,996 S 3/2009 Steiger et al.  
 D599,202 S \* 9/2009 Whiteside ..... D9/434  
 7,611,020 B2 11/2009 Prest  
 D610,000 S 2/2010 Schantz  
 7,654,408 B2 2/2010 Bazany  
 D610,904 S 3/2010 Russell et al.  
 D613,899 S 4/2010 Whittier et al.  
 D614,484 S 4/2010 Schantz  
 D615,775 S 5/2010 Fairbanks  
 D617,185 S 6/2010 Wager  
 7,726,552 B2 6/2010 Chadima  
 D622,140 S 8/2010 Elhalwani  
 D627,562 S 11/2010 Osiecki et al.  
 D629,163 S 12/2010 Sullivan  
 D633,296 S 3/2011 Potts et al.  
 D641,620 S 7/2011 Hammond et al.  
 D643,302 S 8/2011 Stone  
 D651,076 S 12/2011 Van Berlo  
 8,079,474 B1 12/2011 Flaming  
 D657,562 S 4/2012 McNamara  
 D657,748 S 4/2012 Hargreaves et al.  
 8,152,050 B2 4/2012 Busam et al.  
 D658,407 S 5/2012 Pung et al.  
 D661,096 S 6/2012 Dretzka  
 D662,133 S 6/2012 Smith et al.  
 8,220,701 B2 7/2012 Fontaine et al.  
 D665,846 S 8/2012 Chuang  
 8,251,276 B2 8/2012 McLeod  
 D666,830 S 9/2012 Glenn  
 D671,321 S 11/2012 Scott  
 D671,322 S 11/2012 Scott  
 D671,323 S 11/2012 Scott  
 D673,368 S 1/2013 Scott  
 D675,443 S 2/2013 Scott  
 D678,058 S \* 3/2013 Vanden Boom et al. .... D9/434  
 D679,094 S 4/2013 Scott  
 D680,427 S \* 4/2013 Macaulay et al. .... D9/434  
 D680,428 S \* 4/2013 Vanden Boom et al. .... D9/434  
 D681,331 S 5/2013 Scott  
 D681,953 S 5/2013 Scott  
 D685,264 S 7/2013 Lal et al.  
 D685,634 S 7/2013 Scott  
 D685,649 S 7/2013 Banuelos  
 D690,126 S 9/2013 Ogawa  
 2001/0052477 A1 12/2001 McNeill  
 2002/0125308 A1 9/2002 McLeod  
 2003/0168502 A1 9/2003 Kisch  
 2003/0183679 A1 10/2003 Ong  
 2005/0029260 A1 2/2005 Sheng-Bin  
 2005/0241971 A1 11/2005 Zou et al.  
 2005/0284906 A1 12/2005 Potts et al.  
 2006/0022026 A1 2/2006 Yandian et al.  
 2006/0054669 A1 3/2006 Hsieh  
 2006/0243784 A1 11/2006 Glaser et al.  
 2006/0266807 A1 11/2006 Shook  
 2007/0051787 A1 3/2007 Schille et al.  
 2007/0272630 A1 11/2007 DeLuca  
 2008/0054059 A1 3/2008 Chadima  
 2008/0093233 A1 4/2008 Jones et al.  
 2008/0173703 A1 7/2008 Westerman et al.  
 2009/0020444 A1 1/2009 Green  
 2009/0282843 A1 11/2009 Brand  
 2010/0314268 A1 12/2010 Goodman

FOREIGN PATENT DOCUMENTS

JP 10-152125 6/1998  
 JP 2001-1294231 A 10/2001  
 JP 2003-026157 1/2003  
 JP 2004-526633 9/2004

(56)

**References Cited**

## FOREIGN PATENT DOCUMENTS

JP	2006-021808	1/2006
JP	2009-029481	2/2009
WO	WO 99/25621	5/1999

## OTHER PUBLICATIONS

Acrylic Magazine Holder (m Shape); [http://www.alibaba.com/product-gs/274660307/Acrylic\\_magazine\\_holder\\_M\\_shape\\_.html](http://www.alibaba.com/product-gs/274660307/Acrylic_magazine_holder_M_shape_.html); Copyright © 1999-2012 Alibaba.com Hong Kong Limited and licensors; printed Oct. 24, 2012; p. 1-2.

Zigzag Acrylic Literature [http://www.alibaba.com/product-gs/294904097/zigzag\\_acrylic\\_literature\\_magazine\\_holder\\_acrylic.html](http://www.alibaba.com/product-gs/294904097/zigzag_acrylic_literature_magazine_holder_acrylic.html); Copyright © 1999-2012 Alibaba.com Hong Kong Limited and licensors; printed Oct. 24, 2012; p. 1-3.

Kantek Acrylic Mini Sorter—KTKAD50; <http://www.discountofficeitems.com/office-supplies/desk-organizers/desk-organizers-holders/desktop-file-sorters/kantek-acrylic-mini-sorter/p14879.html>; Cart Reference # DGL1647F; Copyright © 2012 DiscountOfficeItems.com; printed Oct. 24, 2012; p. 1-3.

Lebon, Hilary (Social Media Pro/Consultant) Marketing Idea For The Day—Corrugated Plastic Totes; <http://www.mdi.org/index.php/marketing-idea-for-the-day-corrugated-plastic-totes/>; Jun. 28, 2011; Copyright © 2010 MDI; p. 1-3.

PCT Search Report and Written Opinion for Corresponding PCT Application No. PCT/US2012/036980; mailed Dec. 3, 2012; pp. 1-9.

PCT Search Report and Written Opinion for Corresponding PCT Application No. PCT/US2012/037402; mailed Feb. 14, 2013; pp. 1-15.

Photo 1 of United States Postal Service bin; published prior to Apr. 28, 2012.

Photo 2 of United States Postal Service bins; published prior to Apr. 28, 2012.

Screen Shot of No. 1555 tote and 1560 tote; published prior to Apr. 28, 2012.

U.S. Appl. No. 13/441,434, filed Apr. 6, 2012, William M. Scott, Container With Grips

U.S. Appl. No. 13/448,349, filed Apr. 16, 2012, William M. Scott, Strengthening Insert for a Corrugated Box.

U.S. Appl. No. 29/448,659, filed Mar. 13, 2013, William M. Scott, Box.

U.S. Appl. No. 29/391,490, filed May 10, 2011, William M. Scott, Novel Box & Private Label.

U.S. Appl. No. 29/448,535, filed Mar. 13, 2013, William M. Scott, Box.

U.S. Appl. No. 29/444,761, filed Feb. 4, 2013, William M. Scott, Box.

U.S. Appl. No. 29/448,429, filed Mar. 13, 2013, William M. Scott, Box.

U.S. Appl. No. 29/445,333, filed Feb. 11, 2013, William M. Scott, Box.

U.S. Appl. No. 29/456,352, filed May 30, 2013, William M. Scott, Box.

U.S. Appl. No. 29/438,590, filed Nov. 30, 2012, William M. Scott, Box.

U.S. Appl. No. 29/438,066, filed Nov. 26, 2012, William M. Scott, Carrying Tote.

U.S. Appl. No. 29/438,072, filed Nov. 26, 2012, William M. Scott, Carrying Tote.

U.S. Appl. No. 29/438,077, filed Nov. 26, 2012, William M. Scott, Carrying Tote.

U.S. Appl. No. 29/449,577, filed Mar. 15, 2013, William M. Scott, Cable Tie.

U.S. Appl. No. 13/896,859, filed May 17, 2013, William M. Scott, Picture Box and Container.

U.S. Appl. No. 29/431,415, filed Sep. 7, 2012, William M. Scott, Box.

U.S. Appl. No. 29/431,416, filed Sep. 7, 2012, William M. Scott, Box.

U.S. Appl. No. 29/431,417, filed Sep. 7, 2012, William M. Scott, Box.

U.S. Appl. No. 13/606,059, filed Sep. 7, 2012, William M. Scott, Shipping Container With Grips and Locking Ports.

U.S. Appl. No. 13/837,387, filed Mar. 15, 2013, William M. Scott, Corrugated Container Box and Blank.

U.S. Appl. No. 29/431,504, filed Sep. 7, 2012, William M. Scott, Box.

U.S. Appl. No. 29/431,507, filed Sep. 7, 2012, William M. Scott, Box.

U.S. Appl. No. 13/673,246, filed Nov. 9, 2012, William M. Scott, Document Holding Device.

U.S. Appl. No. 29/436,876, filed Nov. 9, 2012, William M. Scott, Document Partition.

U.S. Appl. No. 29/436,882, filed Nov. 9, 2012, William M. Scott, Shaped Document Partition.

U.S. Appl. No. 13/835,159, filed Mar. 15, 2013, William M. Scott, Cable Ties.

\* cited by examiner



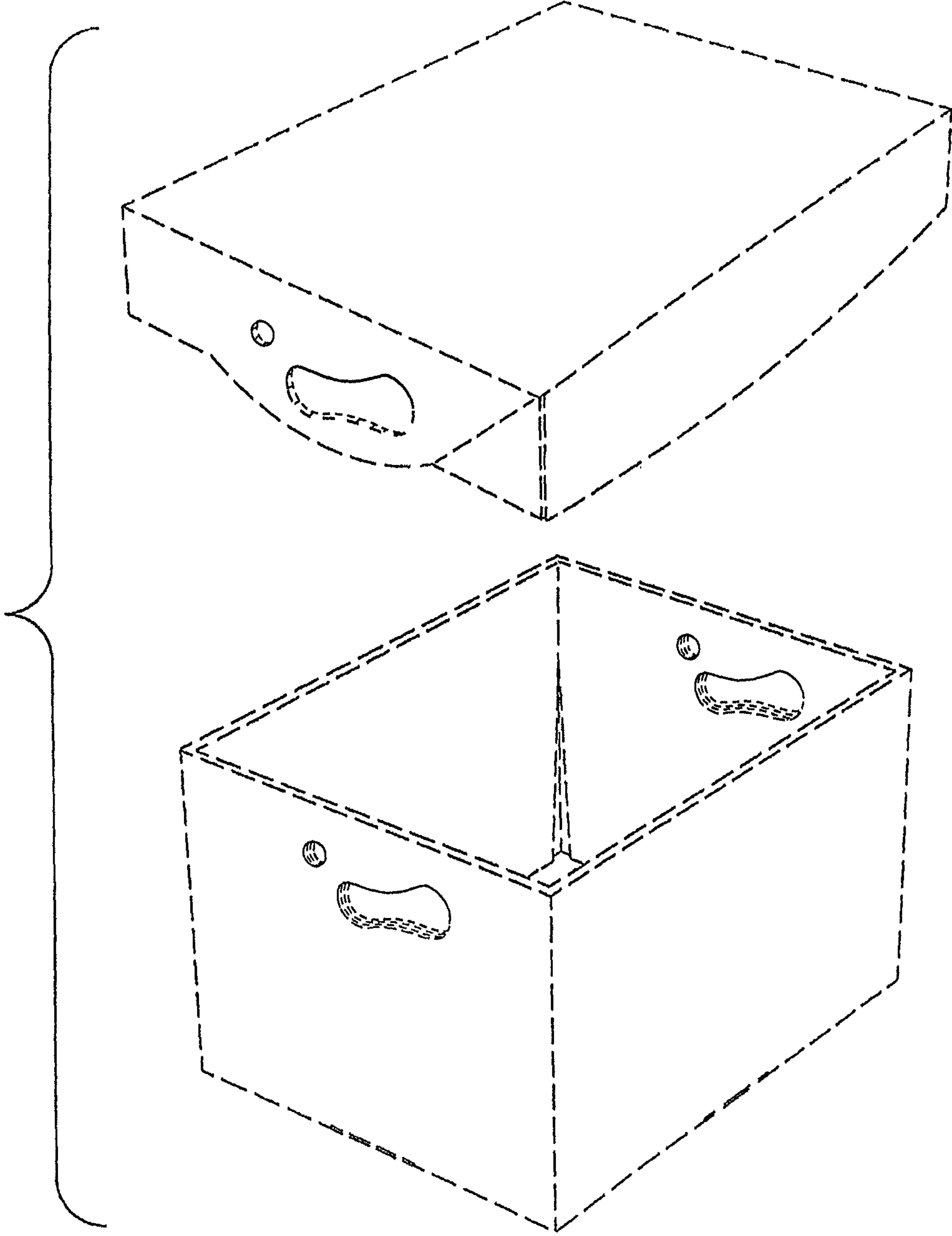


FIG. 1

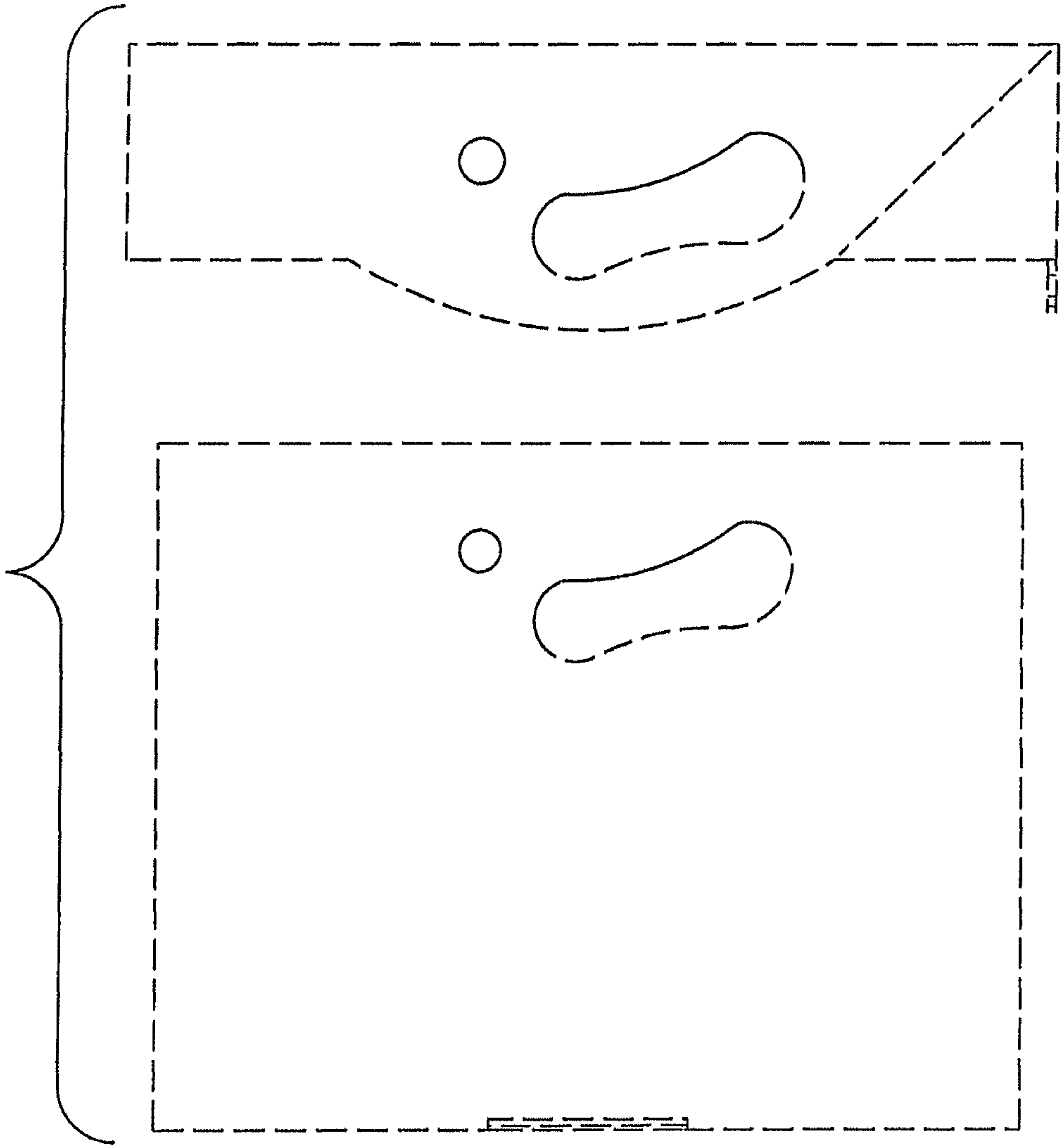


FIG. 2

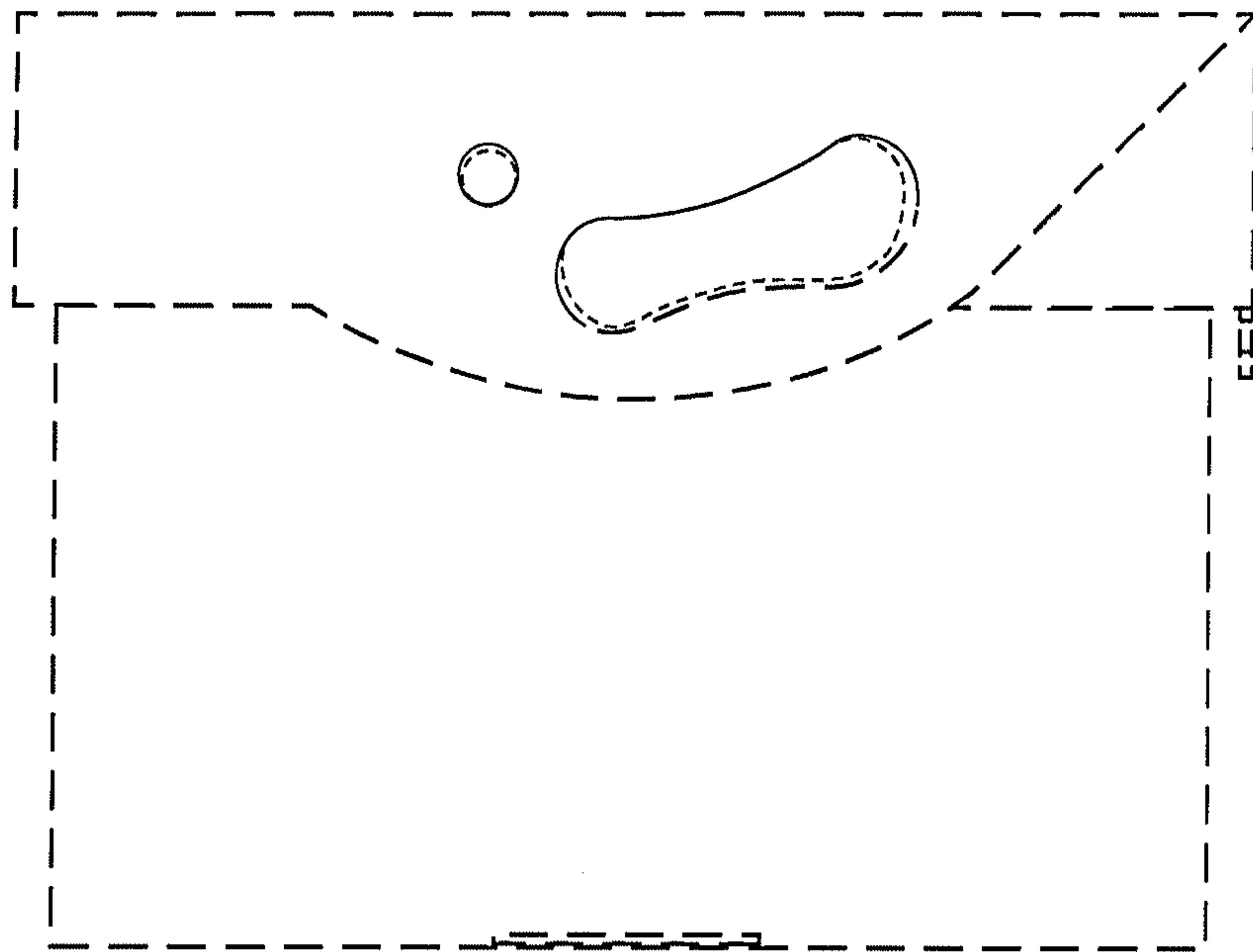


FIG. 3

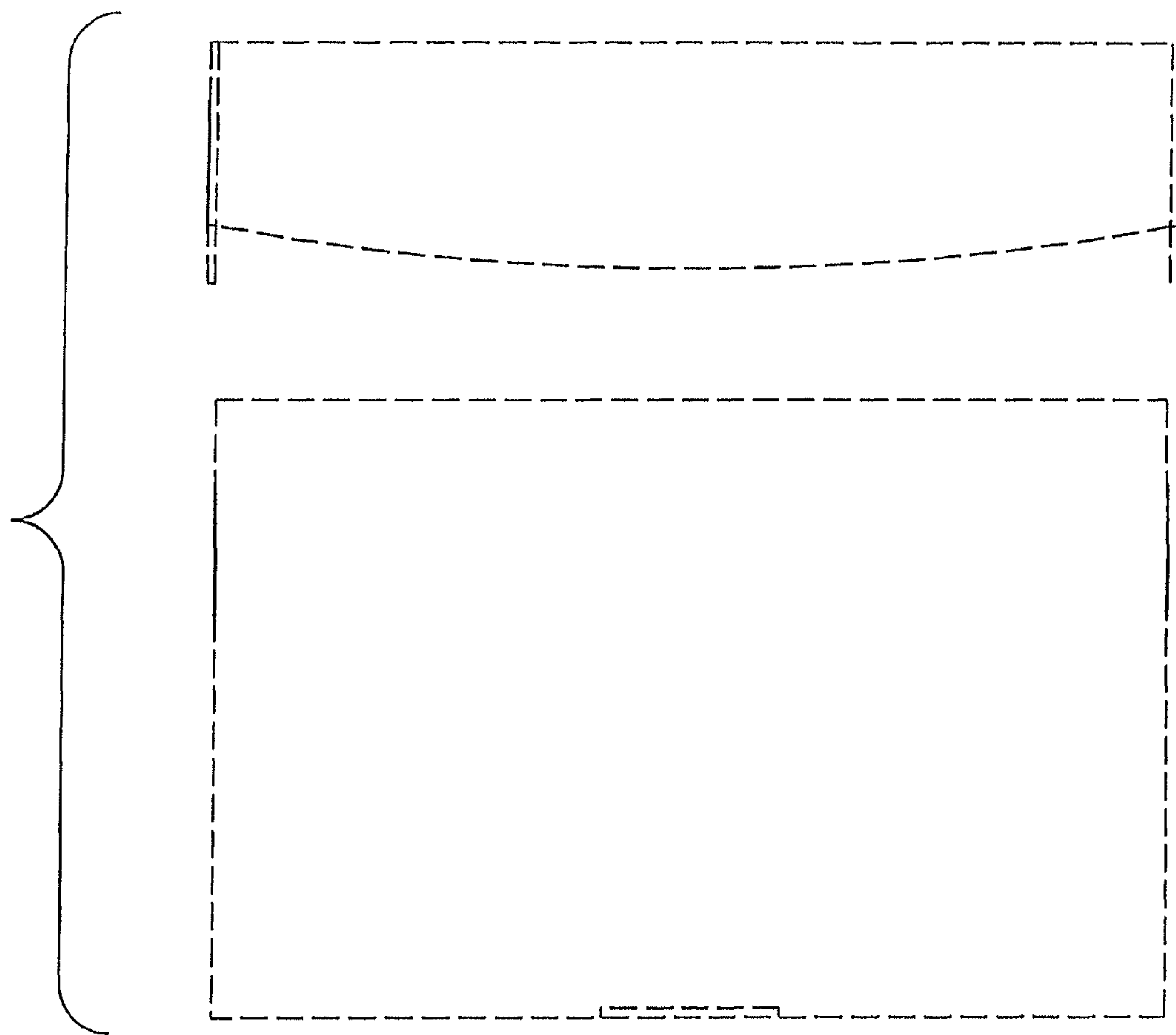


FIG. 4



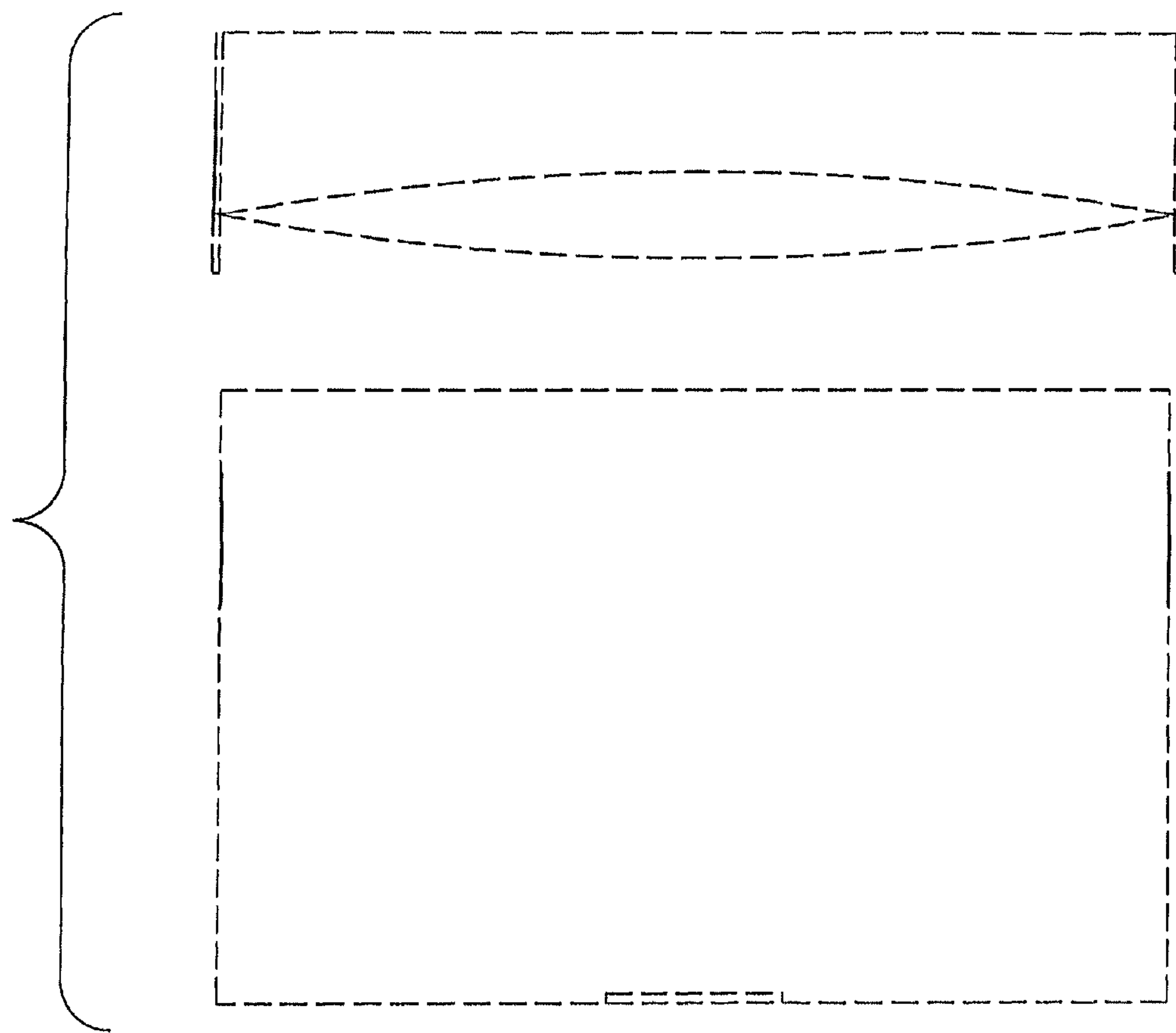


FIG. 5

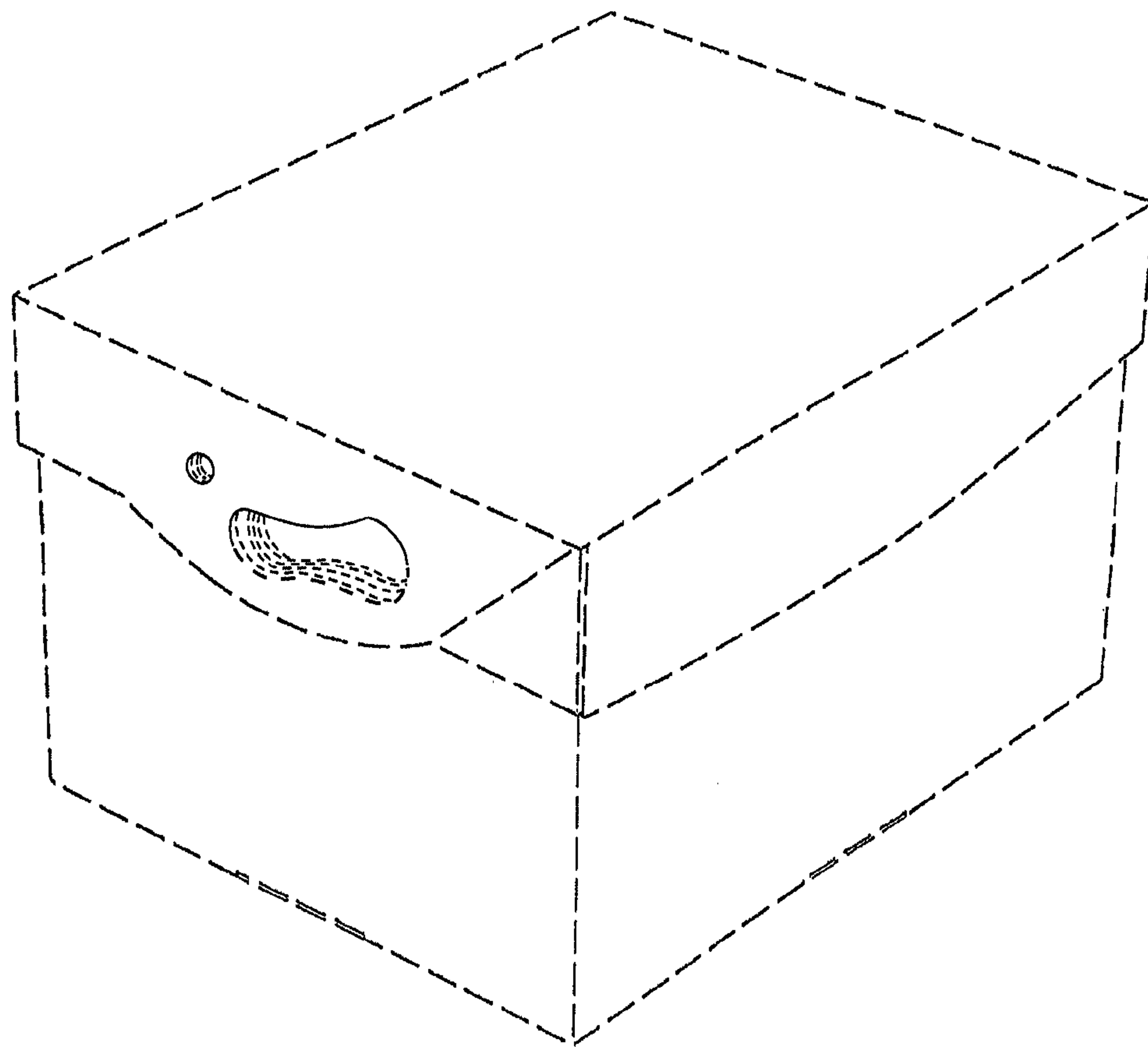


FIG. 6



FIG. 7

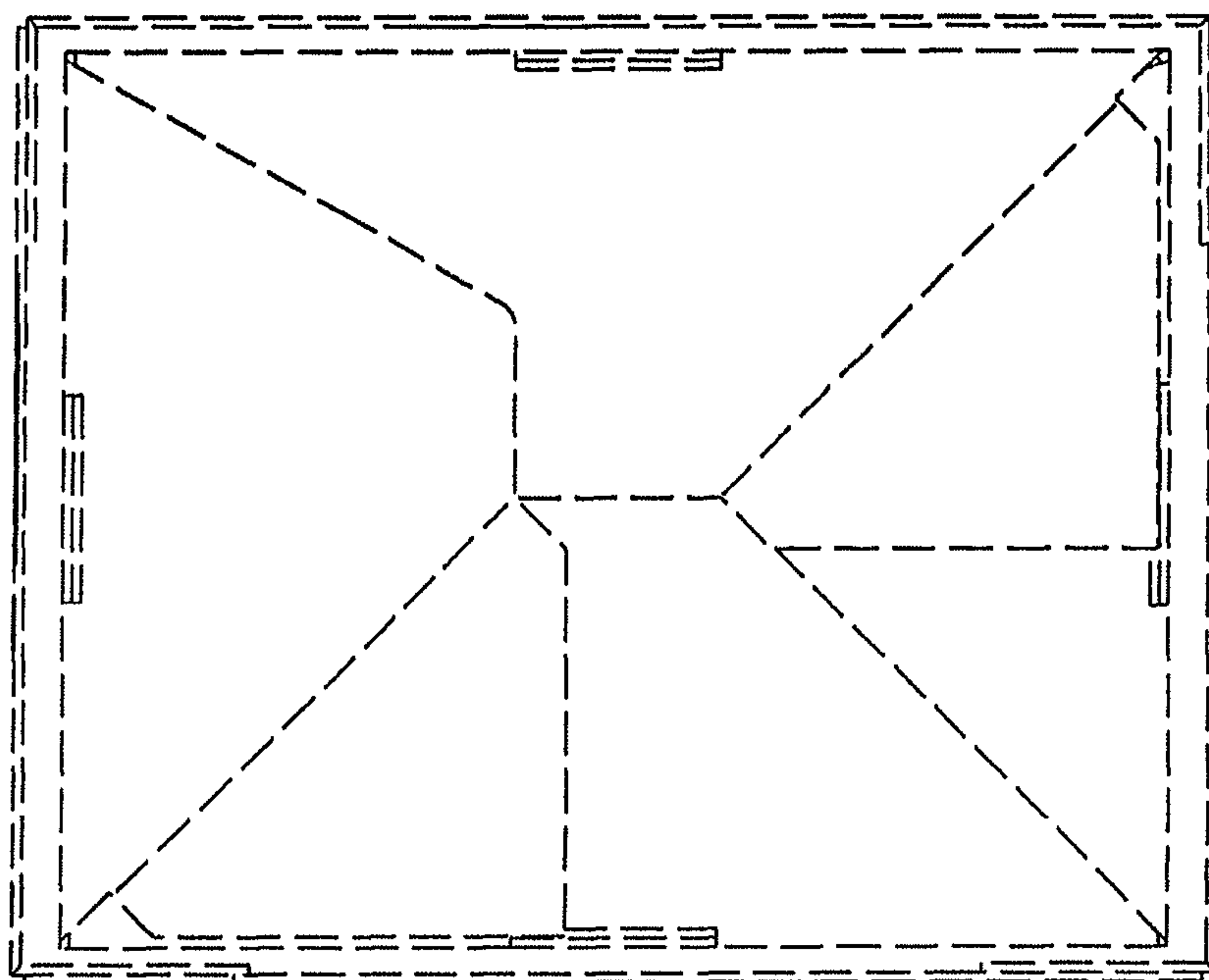


FIG. 8