



US00D711736S

(12) **United States Design Patent**
Strom et al.

(10) **Patent No.:** **US D711,736 S**
(45) **Date of Patent:** **** Aug. 26, 2014**

(54) **BASKET**

(71) Applicant: **Welch Allyn, Inc.**, Skaneateles Falls, NY (US)

(72) Inventors: **John R. Strom**, Skaneateles Falls, NY (US); **Michael T. McMahon**, Skaneateles Falls, NY (US); **Sean R. Karla**, Skaneateles Falls, NY (US); **Lisa Killian**, Skaneateles Falls, NY (US)

(73) Assignee: **Welch Allyn, Inc.**, Skaneateles Falls, NY (US)

(**) Term: **14 Years**

(21) Appl. No.: **29/444,439**

(22) Filed: **Jan. 30, 2013**

(51) **LOC (10) Cl.** **09-03**

(52) **U.S. Cl.**
USPC **D9/416**

(58) **Field of Classification Search**

CPC A47B 96/061; B60R 11/06; A47F 13/085; B65D 21/0213
USPC D9/346, 414-418, 424, 425, 423, 428, D9/429, 431-436, 445, 452-454, 499, 500, D9/504, 516, 519, 522, 529, 535, 537, 545, D9/551, 571, 672, 675, 702, 711, 715, 721, D9/722, 737, 748, 759, 740, 743, 745, 749, D9/756, 718, 713, 712, 546, 426, 457, 440, D9/438, 447; 206/769, 773, 775-778, 395, 206/397-398, 223, 736, 756, 495, 349, 760, 206/541, 784; 229/162.1, 162.3, 162.7, 229/107, 122, 395, 938, 902, 409, 125.05, 229/116.1, 8, 22, 132, 131.1, 160, 125.15, 229/122.27, 122.31, 122.32, 123, 241, 172, 229/174, 185.1, 120.04, 120.13, 120.14, 229/120.23, 87.06, 92.3, 103.3, 104, 114, 229/117, 117.08, 117.17, 120; D21/108; D11/142; 248/249, 309.1; 224/400; 211/12, 181.1; D6/566; D3/306; D24/231

See application file for complete search history.

(56) **References Cited**

U.S. PATENT DOCUMENTS

D242,510 S * 11/1976 Enckler D8/373
D419,440 S 1/2000 Hansen

(Continued)

OTHER PUBLICATIONS

Application for Registration of an Industrial Design Examiner's Report for Application No. 152251; dated Mar. 12, 2014.

(Continued)

Primary Examiner — Ian Simmons

Assistant Examiner — Rhea Shields

(57) **CLAIM**

We claim the ornamental design for a basket, as shown and described.

DESCRIPTION

FIG. 1 is a perspective view of a basket showing our new design;

FIG. 2 is a rear elevation view thereof;

FIG. 3 is a front elevation view thereof;

FIG. 4 is a top plan view thereof;

FIG. 5 is a bottom plan view thereof;

FIG. 6 is a left side elevation view thereof;

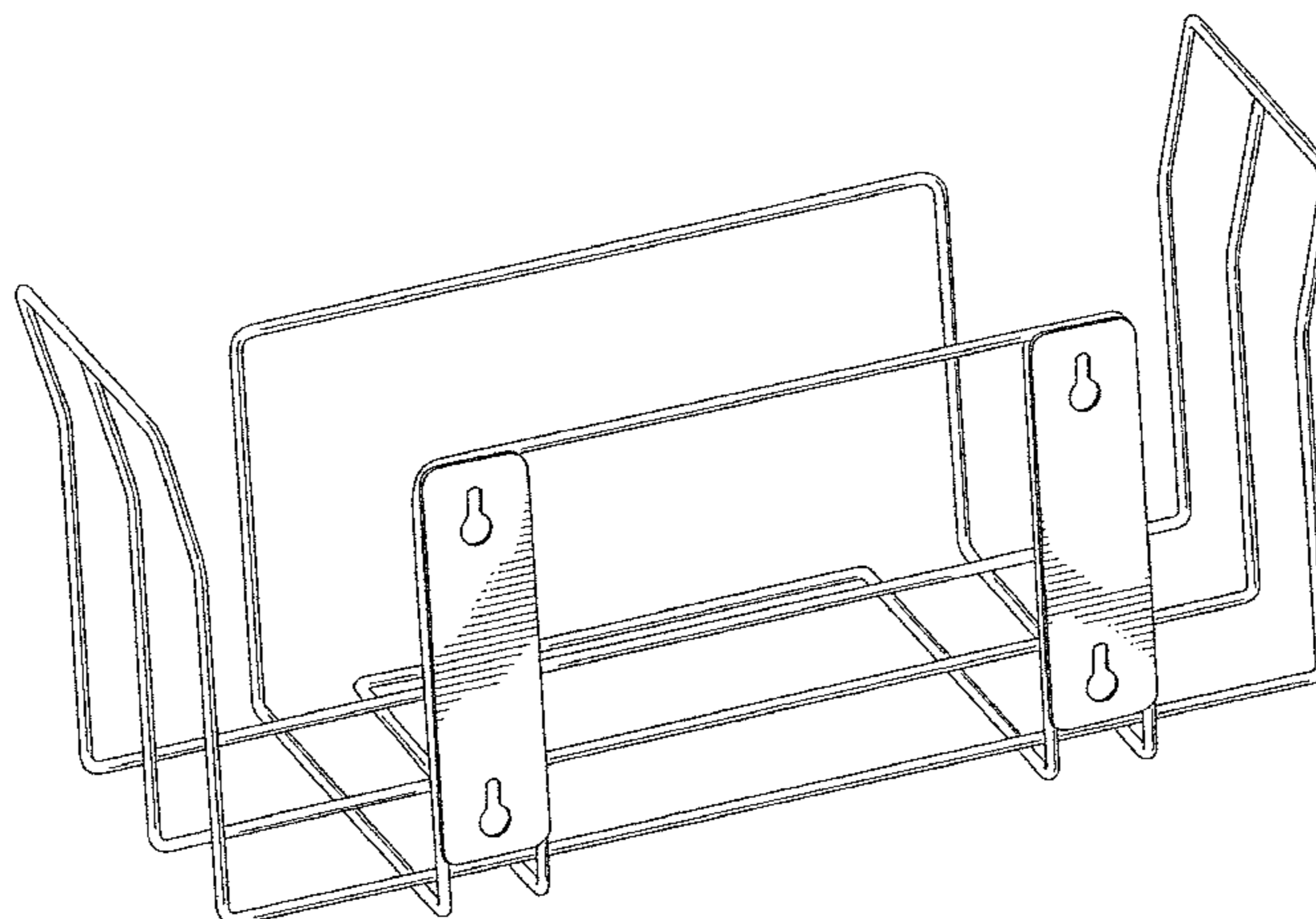
FIG. 7 is a right side elevation view thereof;

FIG. 8 is a perspective view thereof; and,

FIG. 9 is a front view of the basket; and the carton is shown as environment only.

Broken lines immediately adjacent shaded areas represent bounds of the claimed design. Broken lines of the carton of FIGS. 8 and 9 are directed to environment. All other broken lines are directed to unclaimed features. The broken lines form no part of the claimed design.

1 Claim, 8 Drawing Sheets



(56)

References Cited

U.S. PATENT DOCUMENTS

D421,531 S * 3/2000 Haas D6/411
 D431,462 S 10/2000 Menaged et al.
 D432,912 S 10/2000 Lubineau-Bigot et al.
 D433,630 S 11/2000 Lubineau-Bigot et al.
 D472,463 S 4/2003 Kinigakis
 D473,378 S * 4/2003 Bellersheim D3/306
 D490,703 S 6/2004 Rusnock
 D505,620 S 5/2005 Huebsch
 D511,681 S 11/2005 Cogley et al.
 D548,583 S 8/2007 Carmichael et al.
 D551,007 S * 9/2007 Trinko D6/566
 D554,419 S * 11/2007 Thompson et al. D6/566
 D570,201 S * 6/2008 Decker et al. D8/380
 D583,872 S * 12/2008 Smith D19/90
 7,743,944 B2 6/2010 Ho Fung et al.
 7,784,675 B2 8/2010 Sutherland et al.

D628,387 S * 12/2010 Klein et al. D3/318
 8,033,449 B2 10/2011 Ho Fung et al.
 RE42,988 E * 12/2011 Skvorecz 248/153
 D650,175 S * 12/2011 Lee D3/306
 8,136,717 B2 3/2012 De Paula et al.
 D670,913 S * 11/2012 Lee D3/304
 D674,637 S * 1/2013 London D6/566
 D678,049 S 3/2013 Bakker et al.
 D699,101 S * 2/2014 Strom et al. D9/416
 2010/0298724 A1 11/2010 Vivenzio et al.

OTHER PUBLICATIONS

Application for Registration of an Industrial Design Examiner's
 Report for Application No. 152254; dated Mar. 12, 2014.
 Application for Registration of an Industrial Design Examiner's
 Report for Application No. 152255; dated Mar. 12, 2014.

* cited by examiner

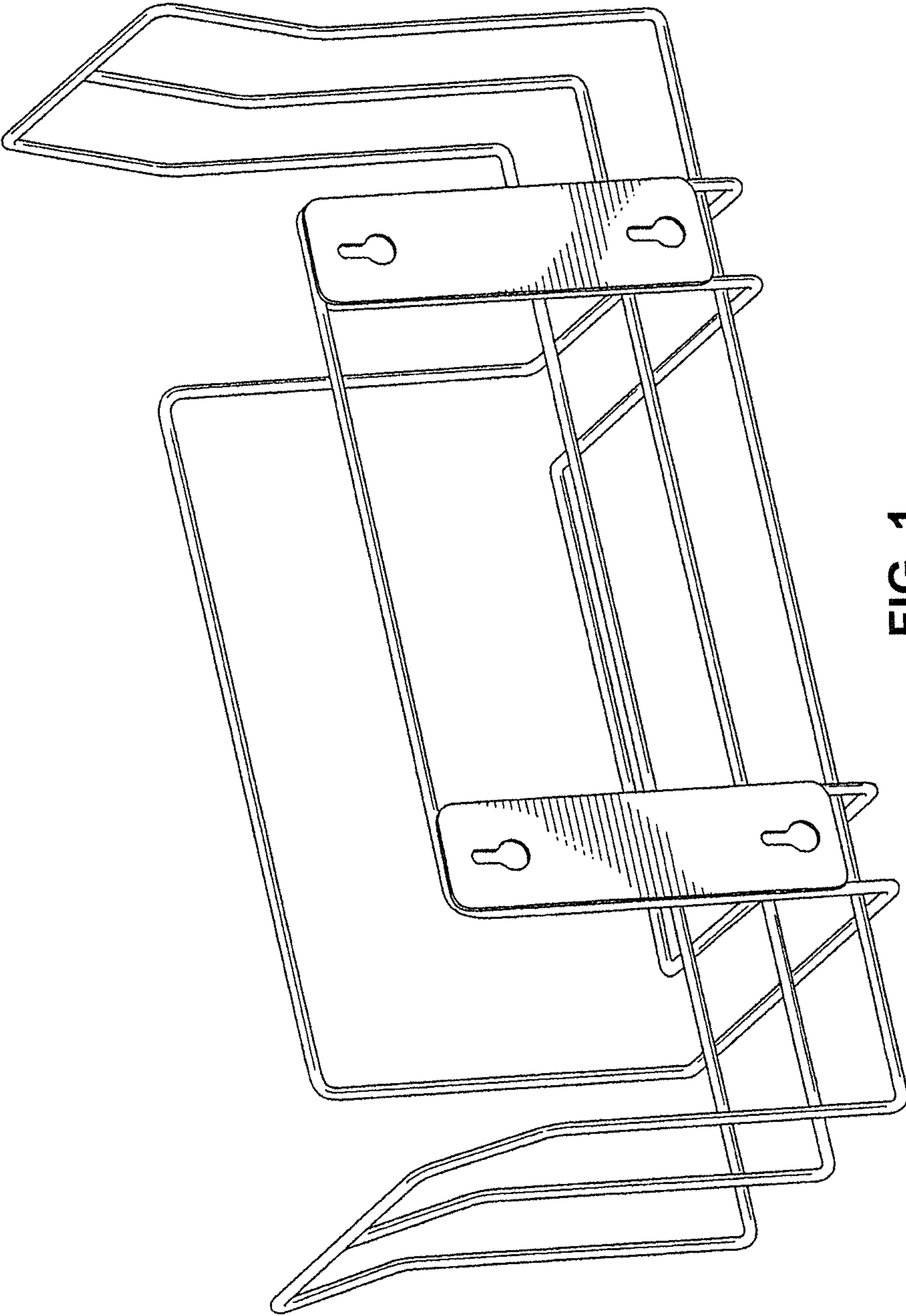


FIG. 1

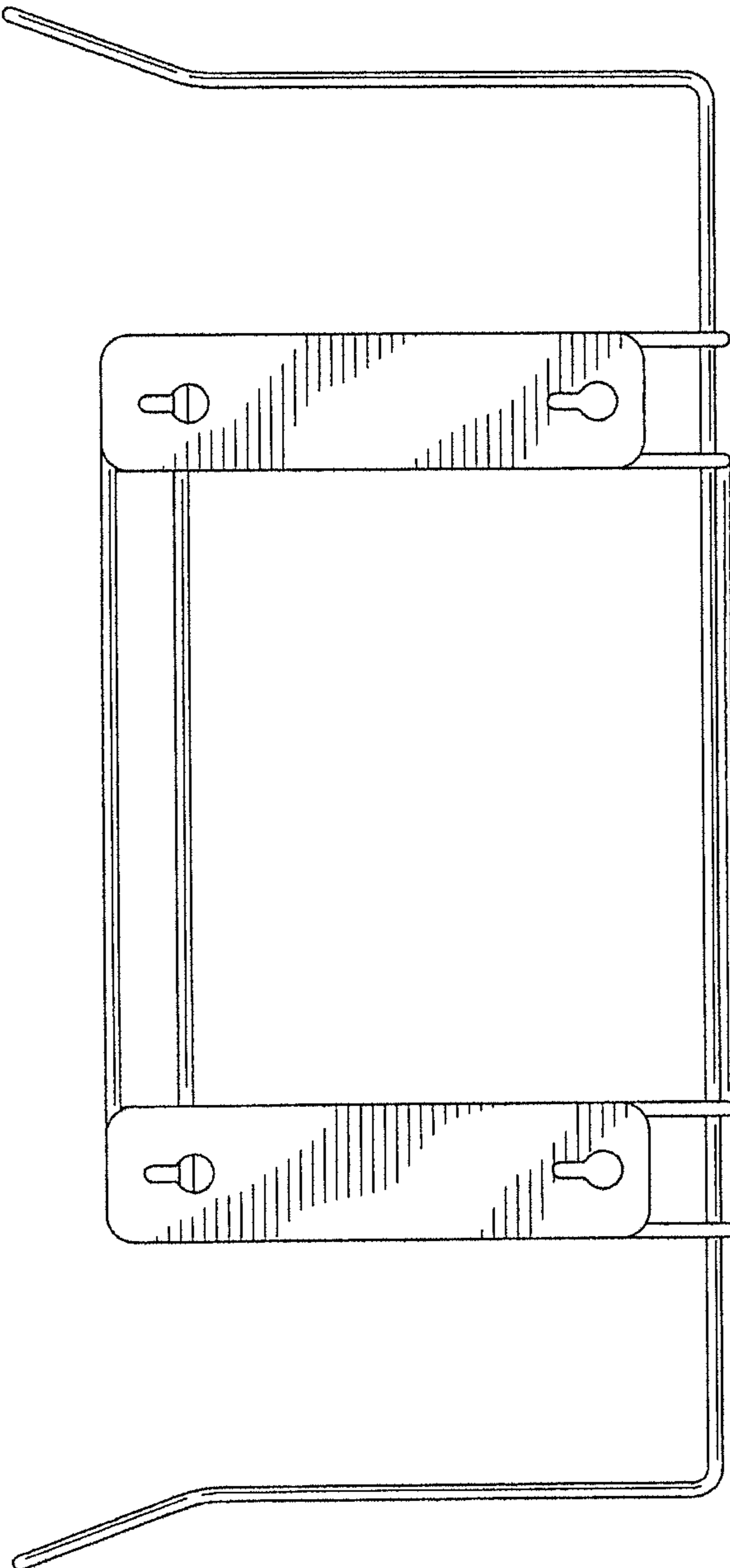


FIG. 2

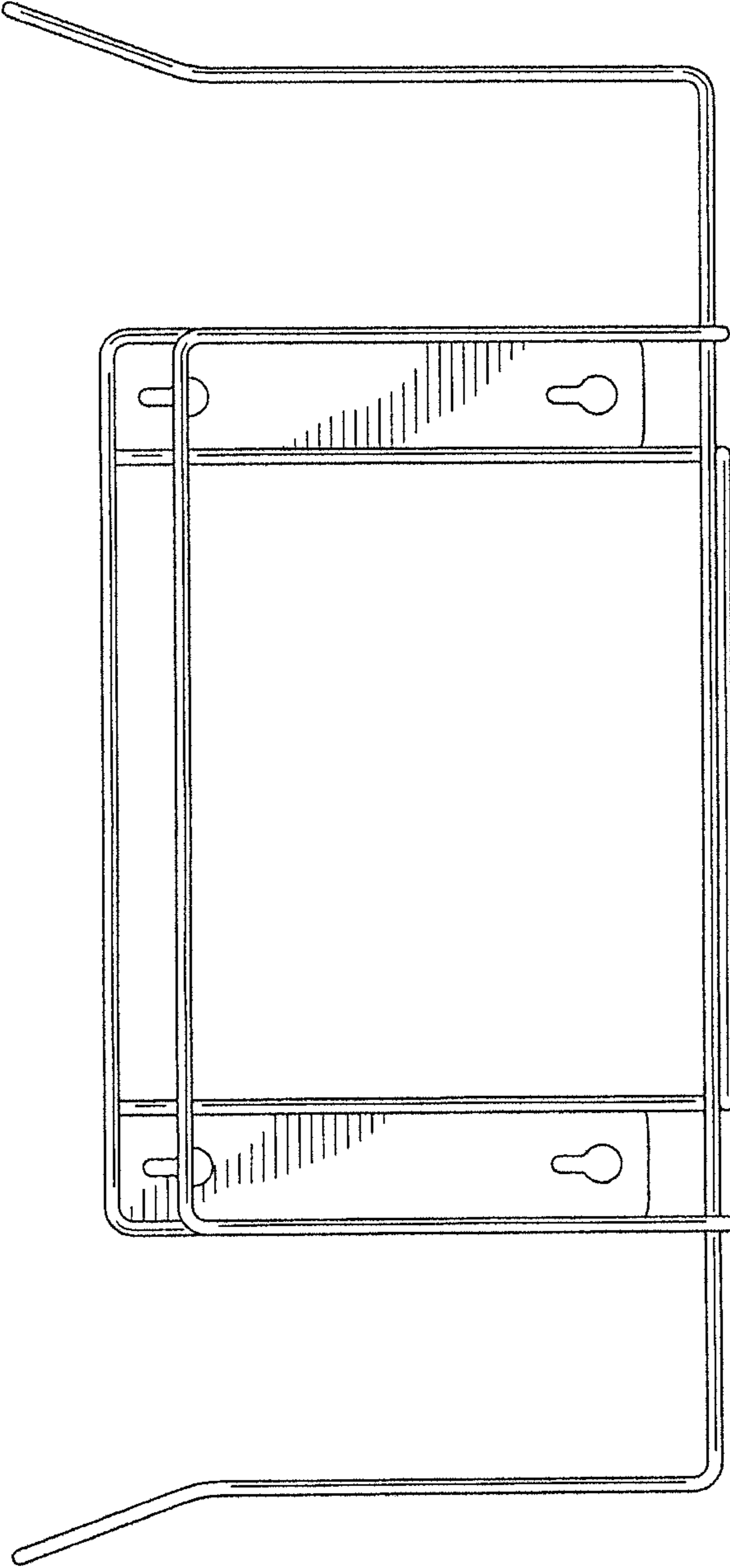


FIG. 3

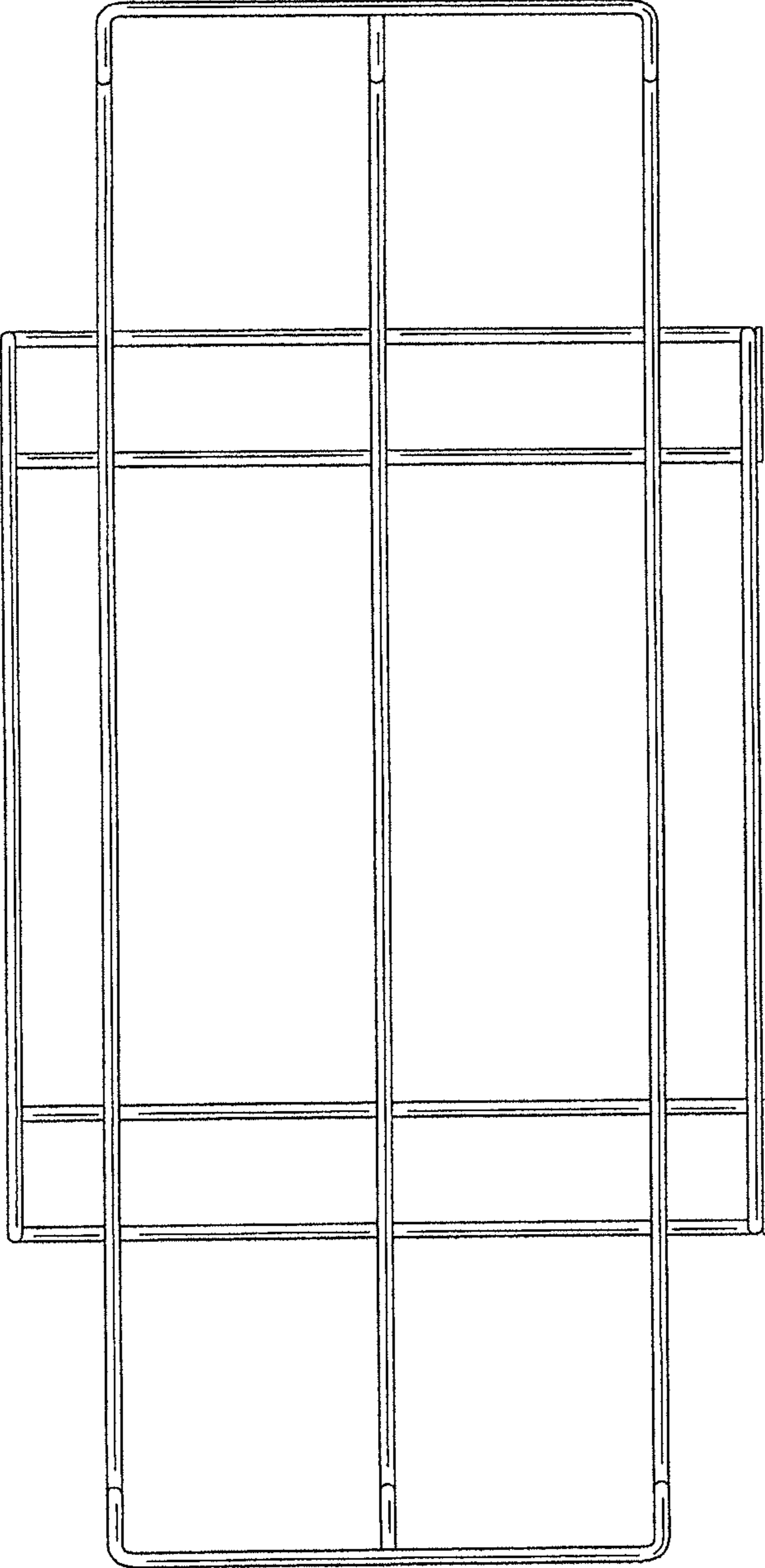


FIG. 4

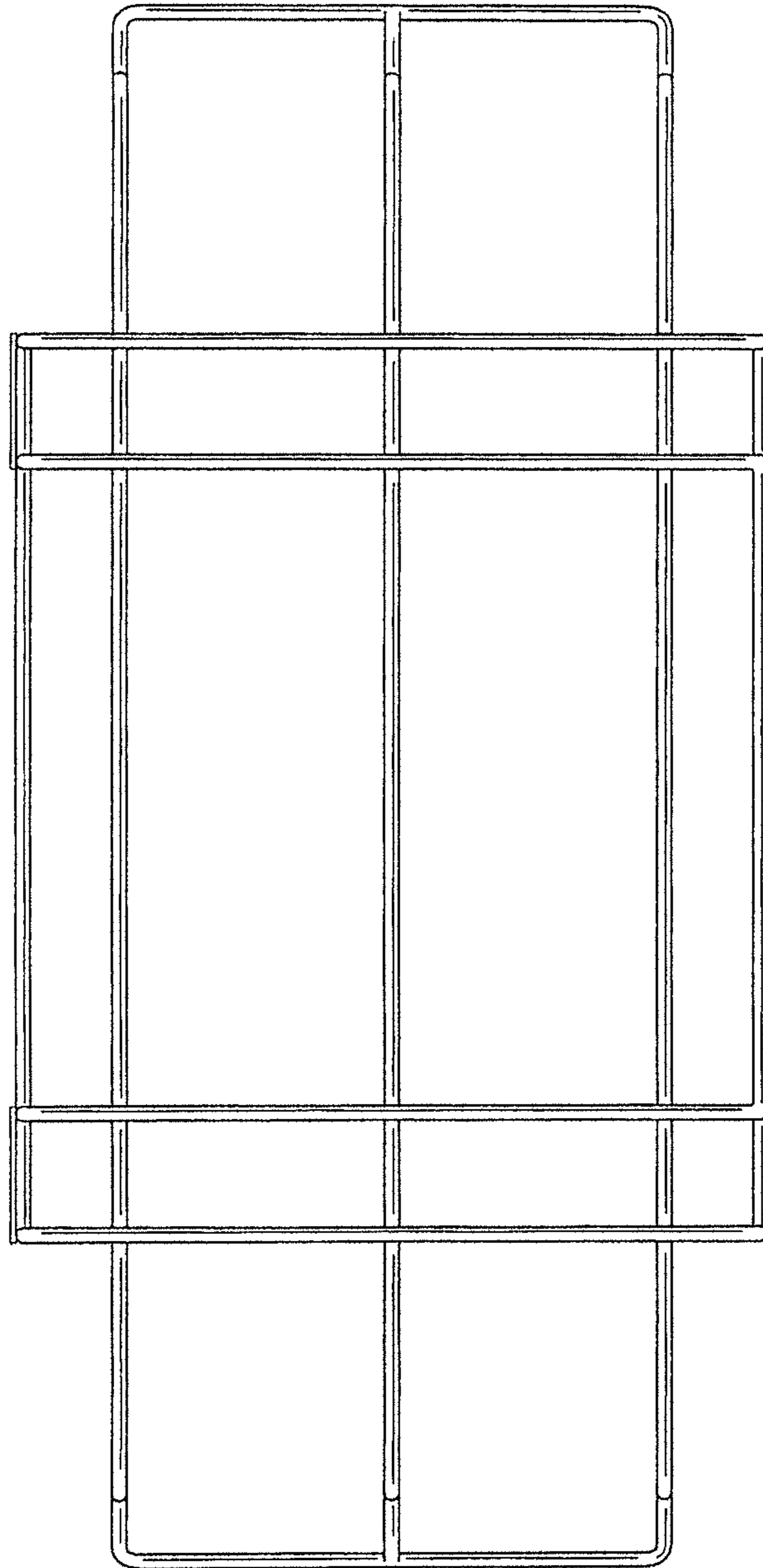


FIG. 5

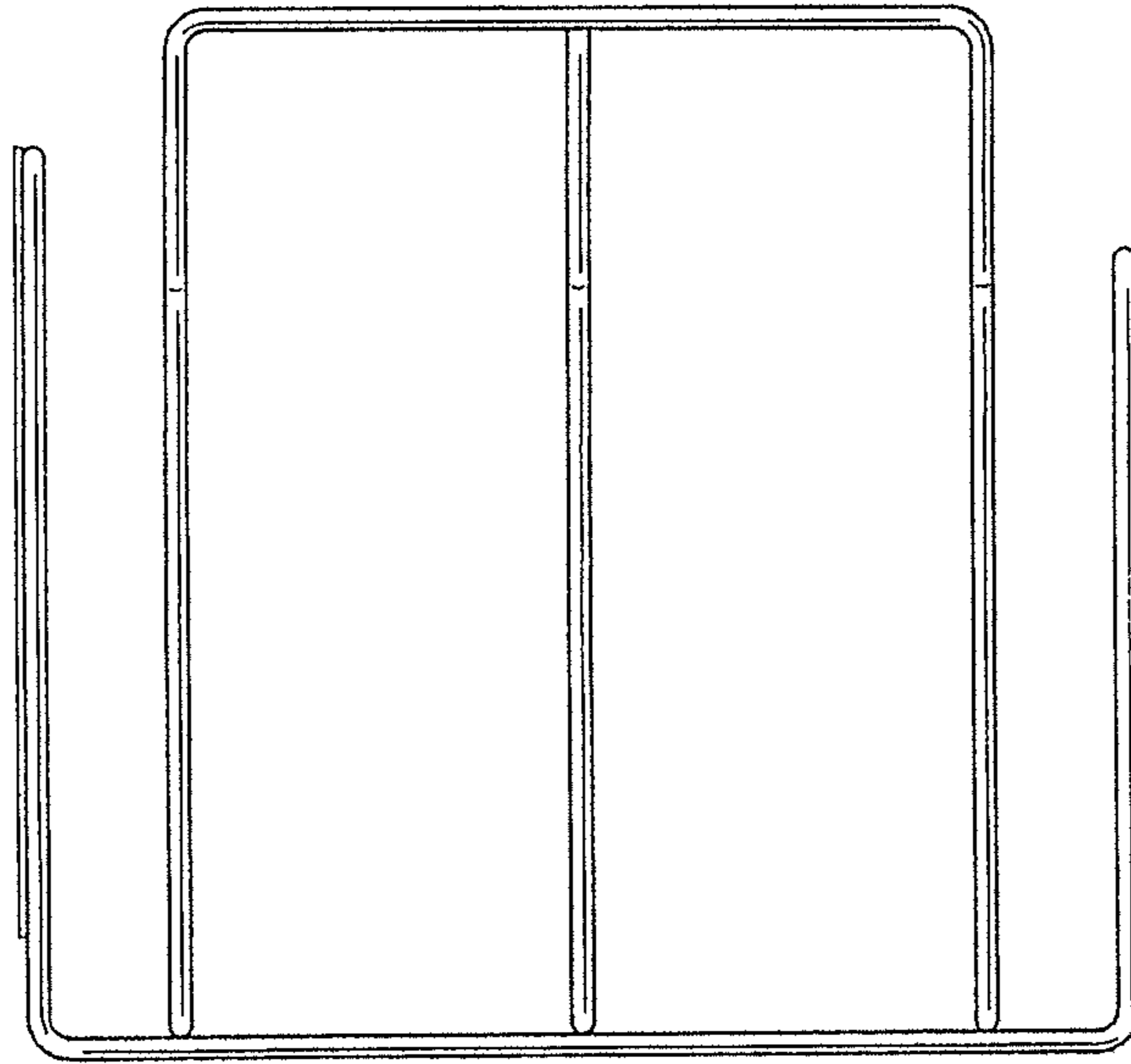


FIG. 6

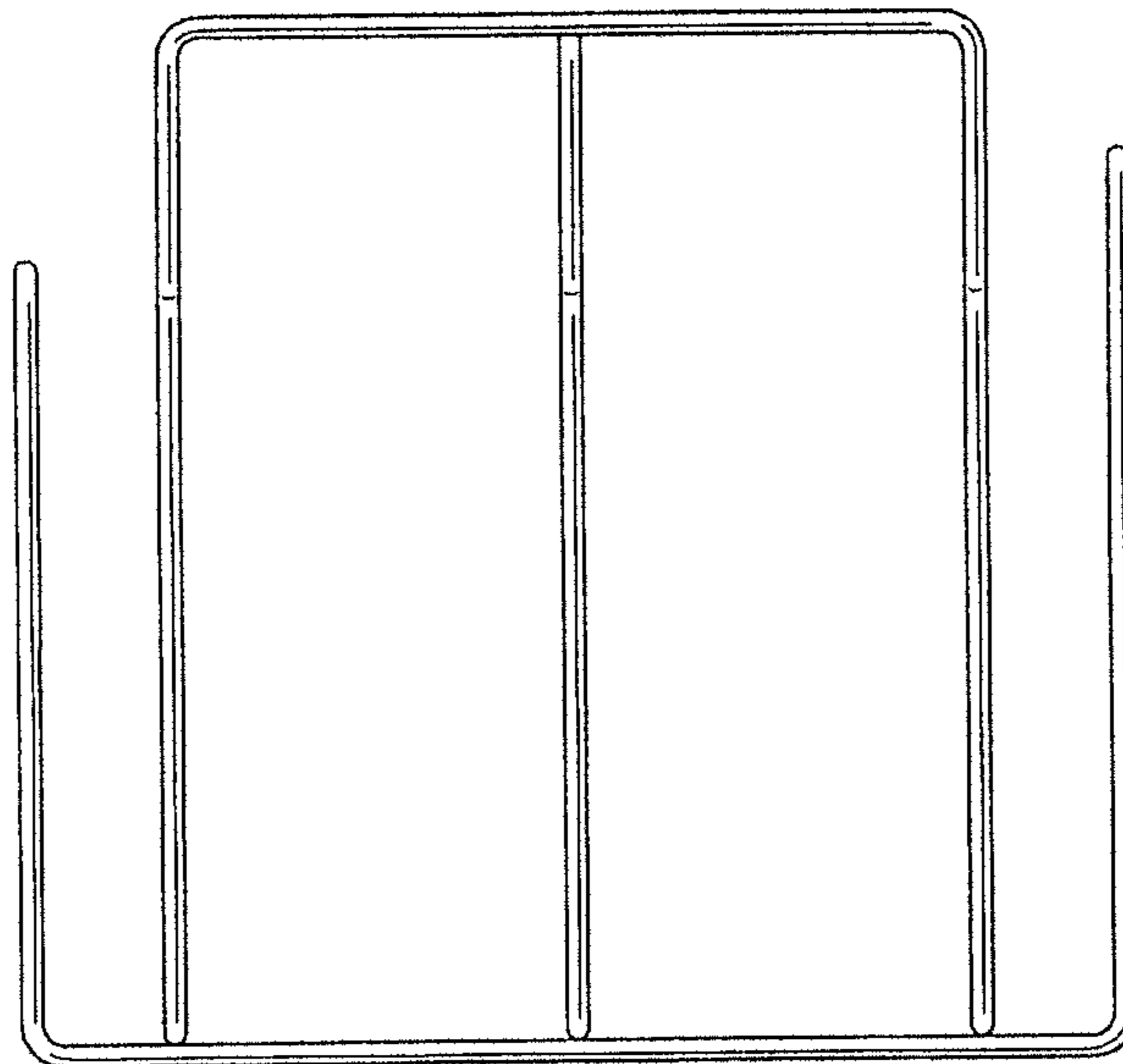


FIG. 7

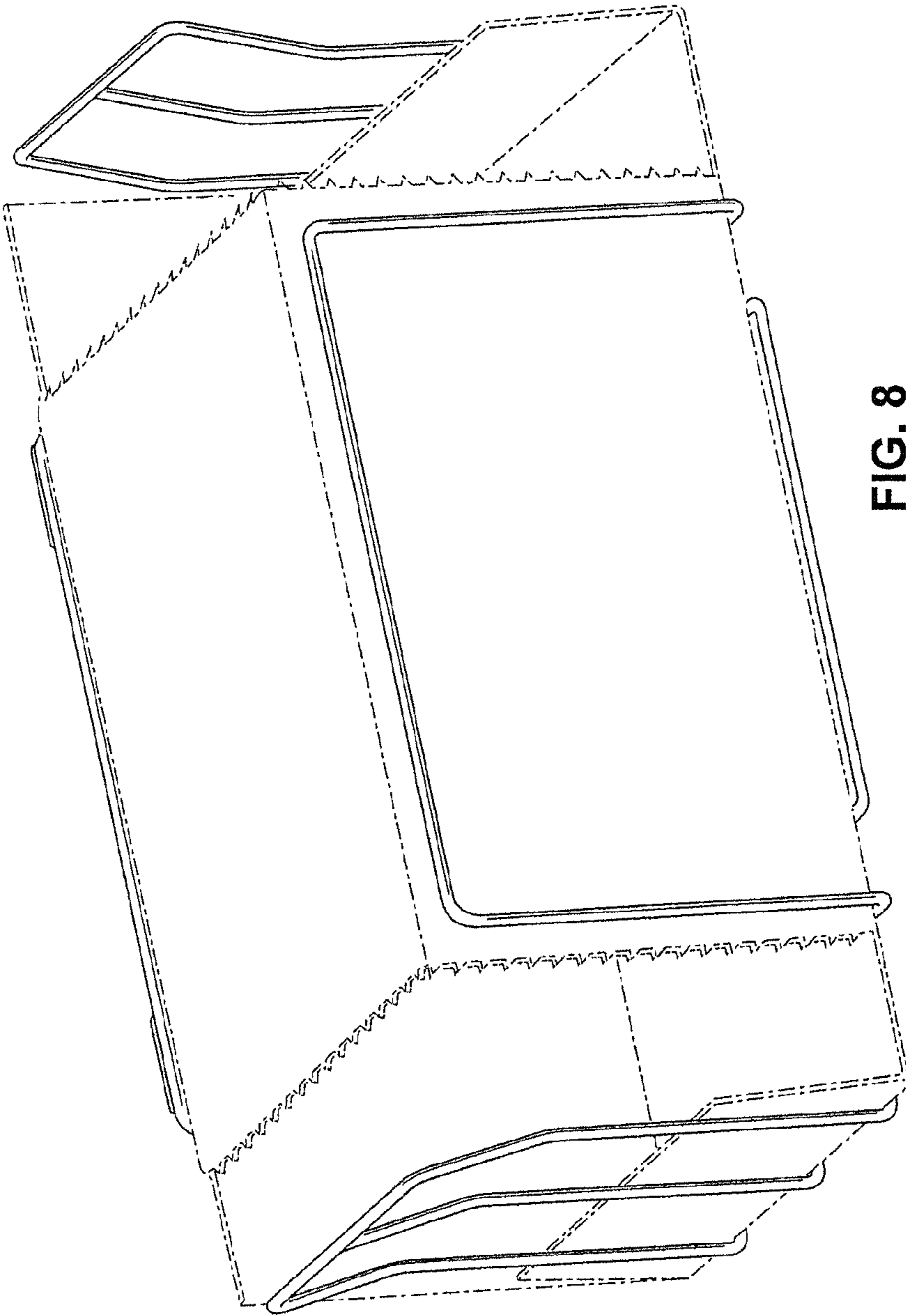


FIG. 8

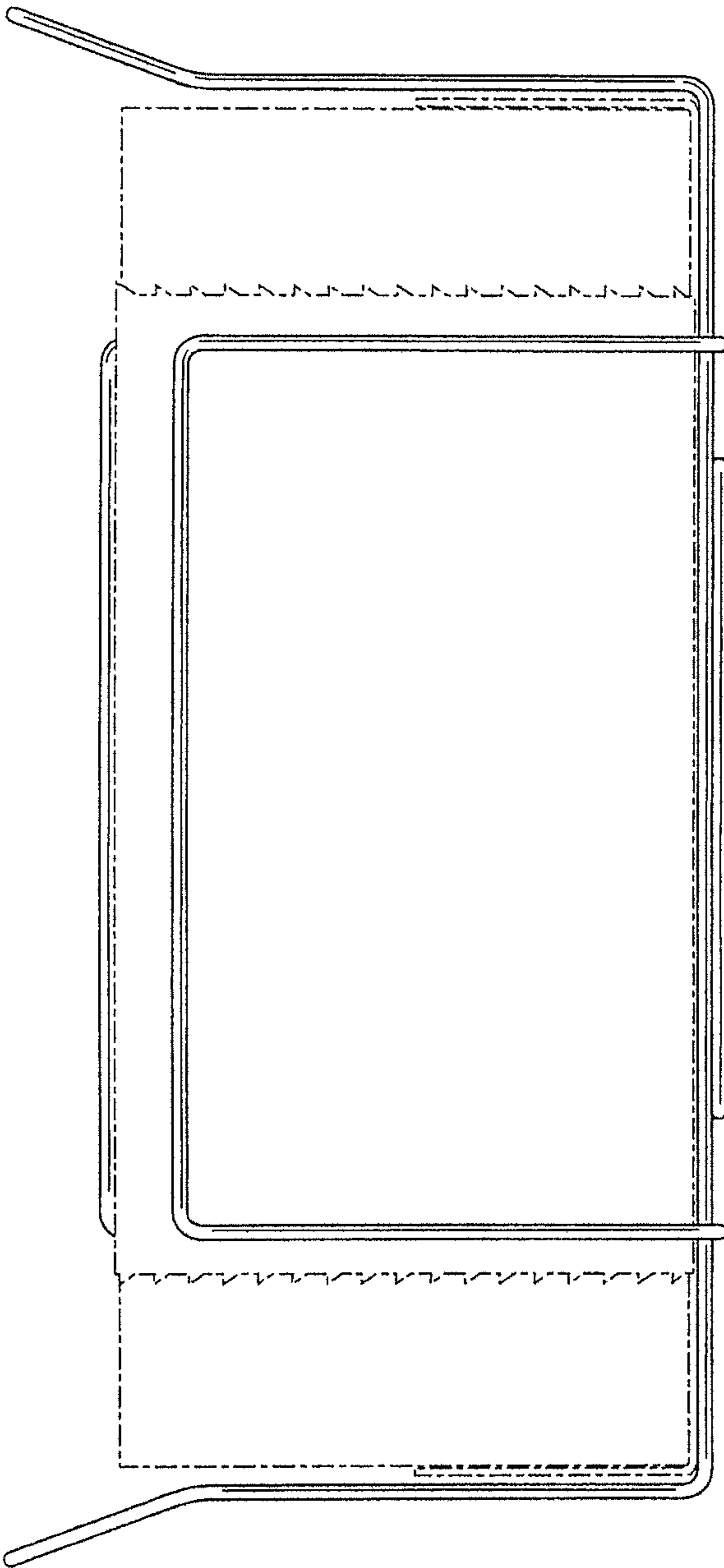


FIG. 9