



US00D711735S

(12) **United States Design Patent**
Atkinson

(10) **Patent No.:** **US D711,735 S**

(45) **Date of Patent:** **** Aug. 26, 2014**

(54) **BLISTER ON CARD**

229/117.08, 117.17, 120; 220/703, 660,
220/662

(71) Applicant: **Benjamin Atkinson**, Chipperfield (GB)

See application file for complete search history.

(72) Inventor: **Benjamin Atkinson**, Chipperfield (GB)

(56) **References Cited**

(73) Assignee: **DG International Holdings Limited**,
London (GB)

U.S. PATENT DOCUMENTS

(**) Term: **14 Years**

(21) Appl. No.: **29/472,145**

(22) Filed: **Nov. 8, 2013**

(30) **Foreign Application Priority Data**

May 9, 2013 (GB) 4029842

May 9, 2013 (GB) 4029843

May 9, 2013 (GB) 4029844

(51) **LOC (10) Cl.** **09-03**

(52) **U.S. Cl.**
USPC **D9/415**

(58) **Field of Classification Search**
USPC D9/346, 414-418, 424, 425, 423,
D9/428-436, 445, 452-457, 499, 500, 504,
D9/516, 519, 522, 529, 535, 537, 545, 551,
D9/571, 672, 675, 702, 711, 715, 721, 722,
D9/737, 748, 759, 740, 743, 745, 749, 756,
D9/718, 713, 712, 546, 618, 635, 680;
D3/201, 246, 258, 212, 276; D7/400,
D7/404, 405, 415; 206/769, 773-778, 395,
206/397-98, 223, 736, 756, 495, 349, 760,
206/541, 784; 229/162.1, 162.3, 162.7,
229/107, 122, 395, 938, 902, 409, 125.05,
229/116.1, 8, 22, 132, 131.1, 160, 125.15,
229/122.27, 122.31, 123, 241, 172, 174,
229/185.1, 120.04, 120.13, 120.14, 120.23,
229/87.06, 82.3, 103.3, 104, 114, 117,

D429,525 S * 8/2000 Richardson D24/104
D431,459 S * 10/2000 Lee D9/415
D447,555 S * 9/2001 Richardson D24/104
D456,249 S * 4/2002 Pearson et al. D9/415
D462,263 S * 9/2002 Tachikawa et al. D9/415
D485,643 S * 1/2004 McLeish D28/8.1
D596,495 S * 7/2009 Dodd D9/707
D632,568 S * 2/2011 Caldwell et al. D9/435
D659,016 S * 5/2012 Kemner D9/716
D682,672 S * 5/2013 Birgers et al. D9/415
D693,681 S * 11/2013 Allen et al. D9/434
2008/0002921 A1 * 1/2008 Redmond 383/109

* cited by examiner

Primary Examiner — Ian Simmons

Assistant Examiner — Rhea Shields

(74) *Attorney, Agent, or Firm* — Dickstein Shapiro LLP

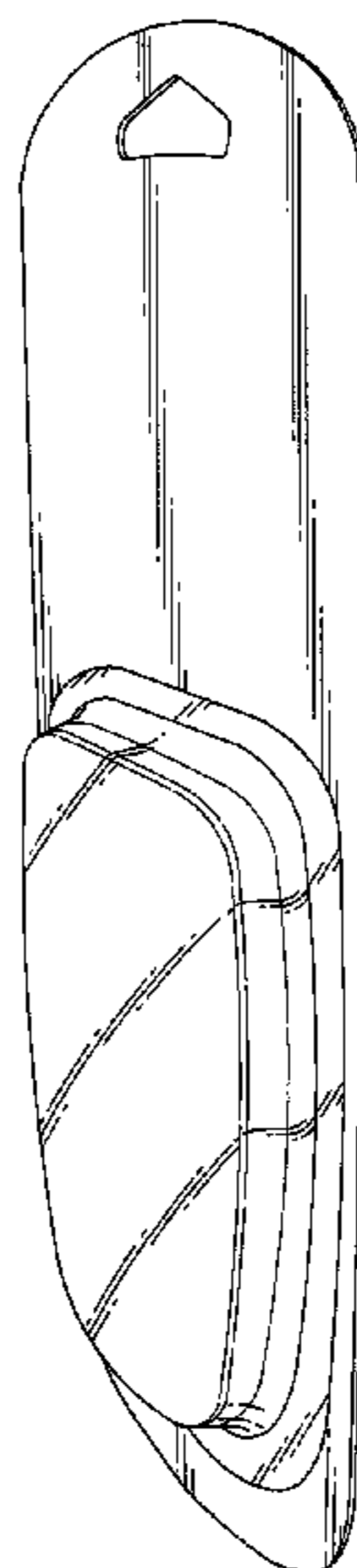
(57) **CLAIM**

The ornamental design for a blister on card, as shown and described.

DESCRIPTION

FIG. 1 is a front view of the blister on card, showing the new design;
FIG. 2 is a rear view thereof;
FIG. 3 is left-side view thereof;
FIG. 4 is a right-side view thereof;
FIG. 5 is a top view thereof;
FIG. 6 is a bottom view thereof; and,
FIG. 7 is a front and left-side perspective view thereof.
The blister on card is symmetrical about a vertical axis, such that FIG. 4 is a mirror image of FIG. 3.

1 Claim, 3 Drawing Sheets



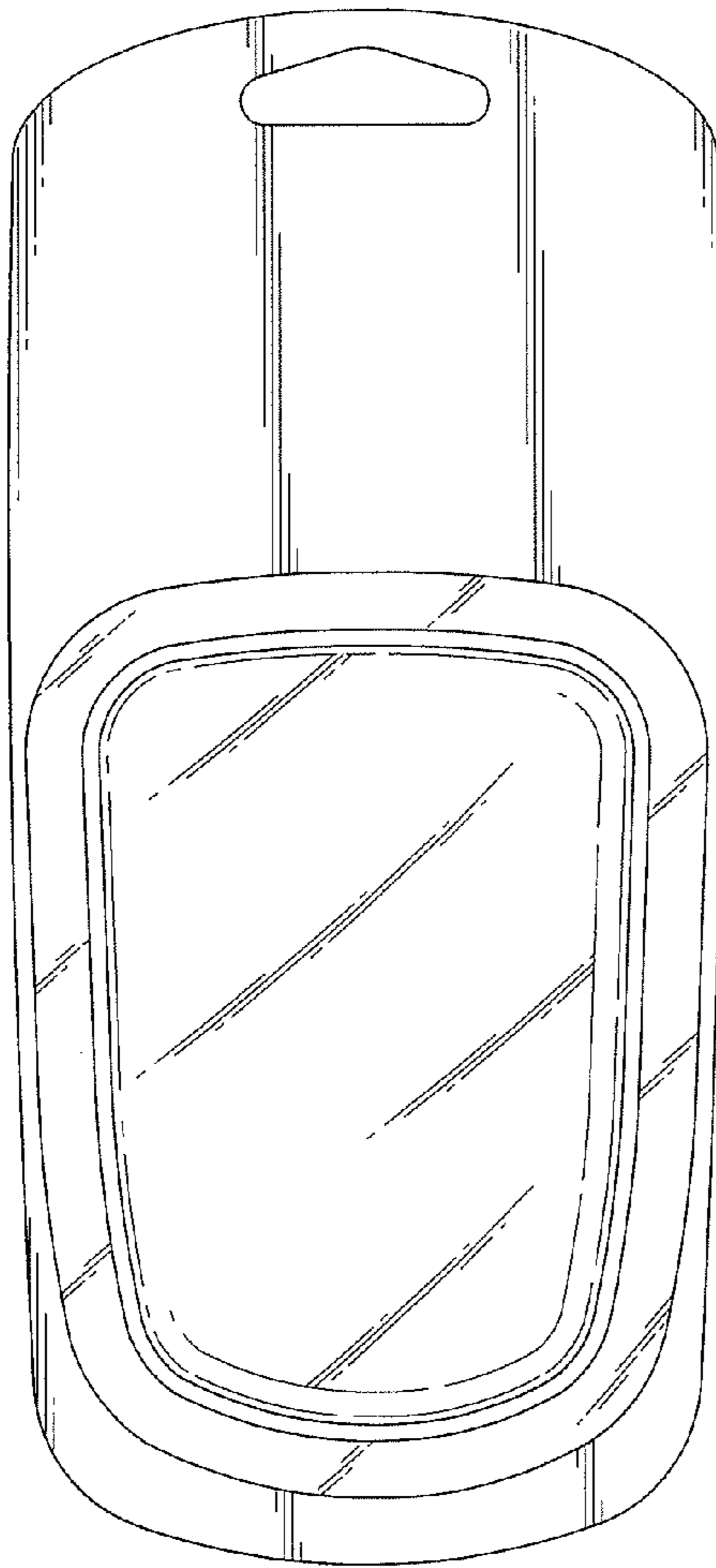


Fig 1

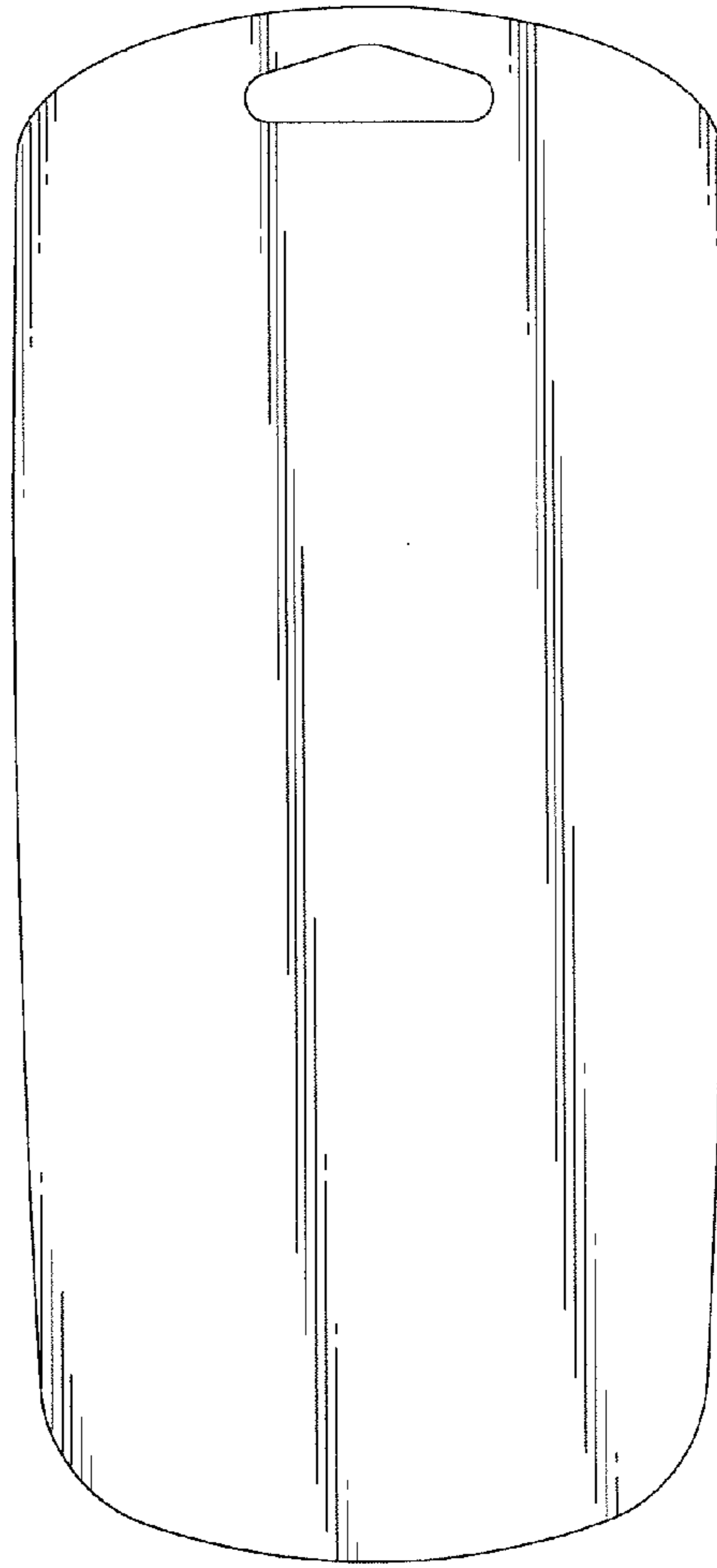


Fig 2

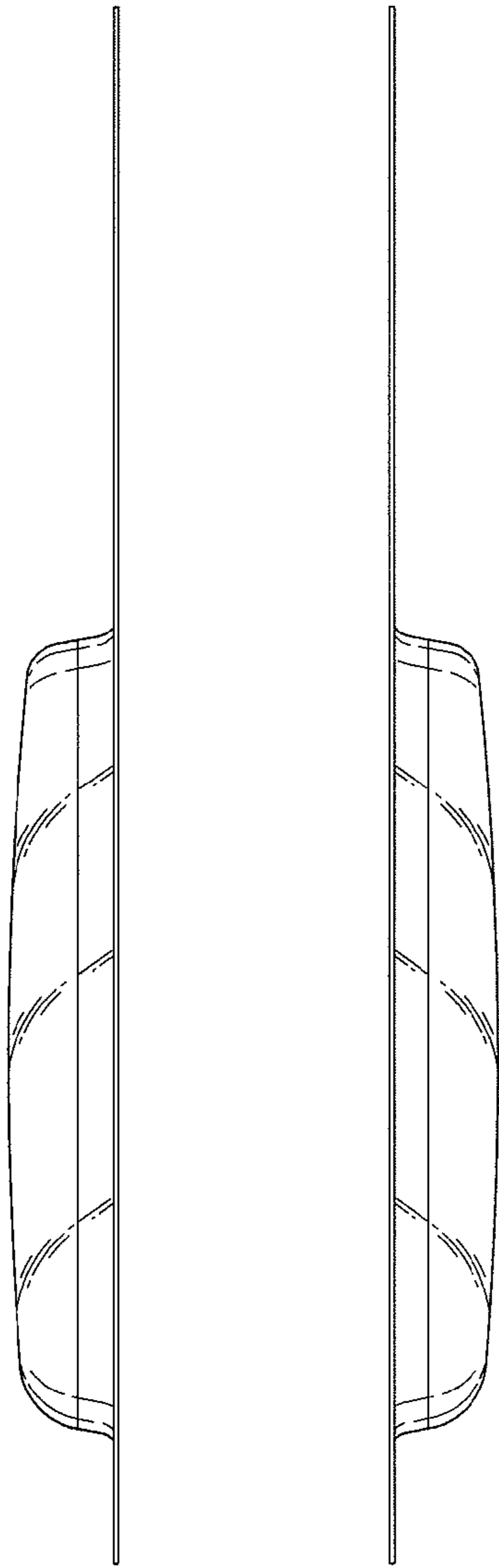


Fig 3

Fig 4

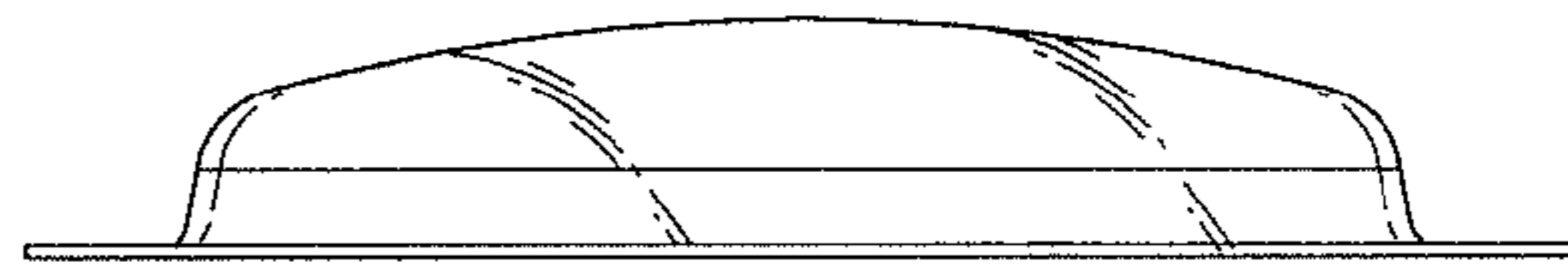


Fig 5



Fig 6

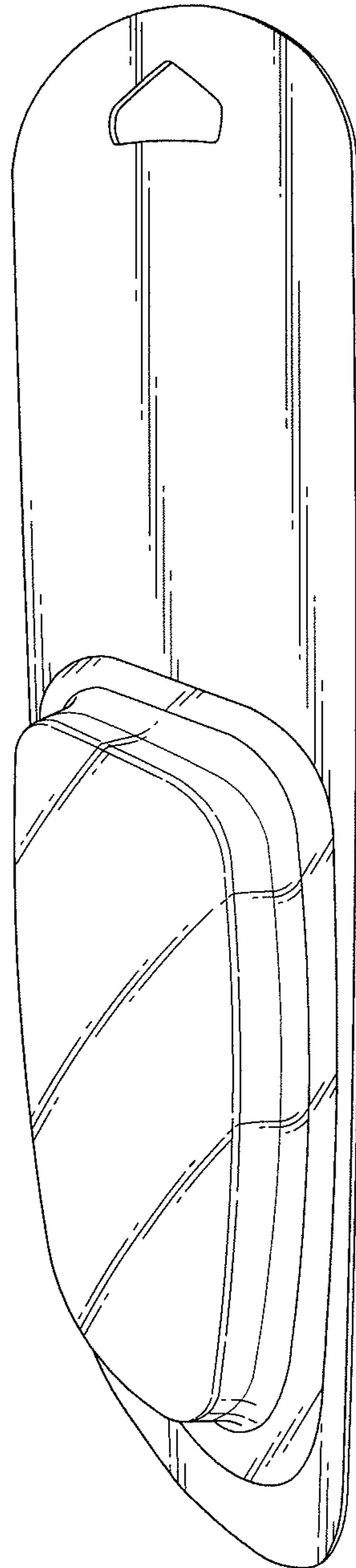


Fig 7