



US00D711733S

(12) **United States Design Patent**
Whitmer et al.

(10) **Patent No.:** **US D711,733 S**

(45) **Date of Patent:** **** Aug. 26, 2014**

(54) **POST DRIVER CHUCK NUT**

(71) Applicant: **Rhino Tool Company**, Kewanee, IL
(US)

(72) Inventors: **Herbert W. Whitmer**, Kewanee, IL
(US); **Robert J. Conner**, Kewanee, IL
(US); **James V. Martin**, Kewanee, IL
(US)

(73) Assignee: **Rhino Tool Company**, Kewanee, IL
(US)

(**) Term: **14 Years**

(21) Appl. No.: **29/481,499**

(22) Filed: **Feb. 6, 2014**

(51) **LOC (10) Cl.** **08-08**

(52) **U.S. Cl.**
USPC **D8/397**

(58) **Field of Classification Search**
USPC D8/397, 394, 382, 399; 439/501;
16/2.1; D13/151, 133; 411/337, 427,
411/436, 9, 303, 280, 302; D23/262
See application file for complete search history.

(56) **References Cited**

U.S. PATENT DOCUMENTS

D32,659 S * 5/1900 Higgin D8/397
D57,407 S * 3/1921 Walker D23/269
D203,947 S * 3/1966 Pick D8/387

D273,561 S * 4/1984 Ozaki et al. D8/397
D296,579 S * 7/1988 Hattori D23/262
D435,652 S * 12/2000 Nazarifar et al. D24/129
D494,458 S * 8/2004 Aukzemas et al. D8/387
D532,684 S * 11/2006 Barnes D8/397
7,278,809 B2 * 10/2007 Aukzemas et al. 411/432
D581,763 S * 12/2008 Post D8/70
D600,108 S * 9/2009 Swan D8/397
D600,546 S * 9/2009 Scilingo et al. D8/397
D623,049 S * 9/2010 Zeyfang D8/397
D702,543 S * 4/2014 Bell D8/397
D703,521 S * 4/2014 Haynes et al. D8/397

* cited by examiner

Primary Examiner — Cynthia Underwood

(74) *Attorney, Agent, or Firm* — Thompson Coburn LLP

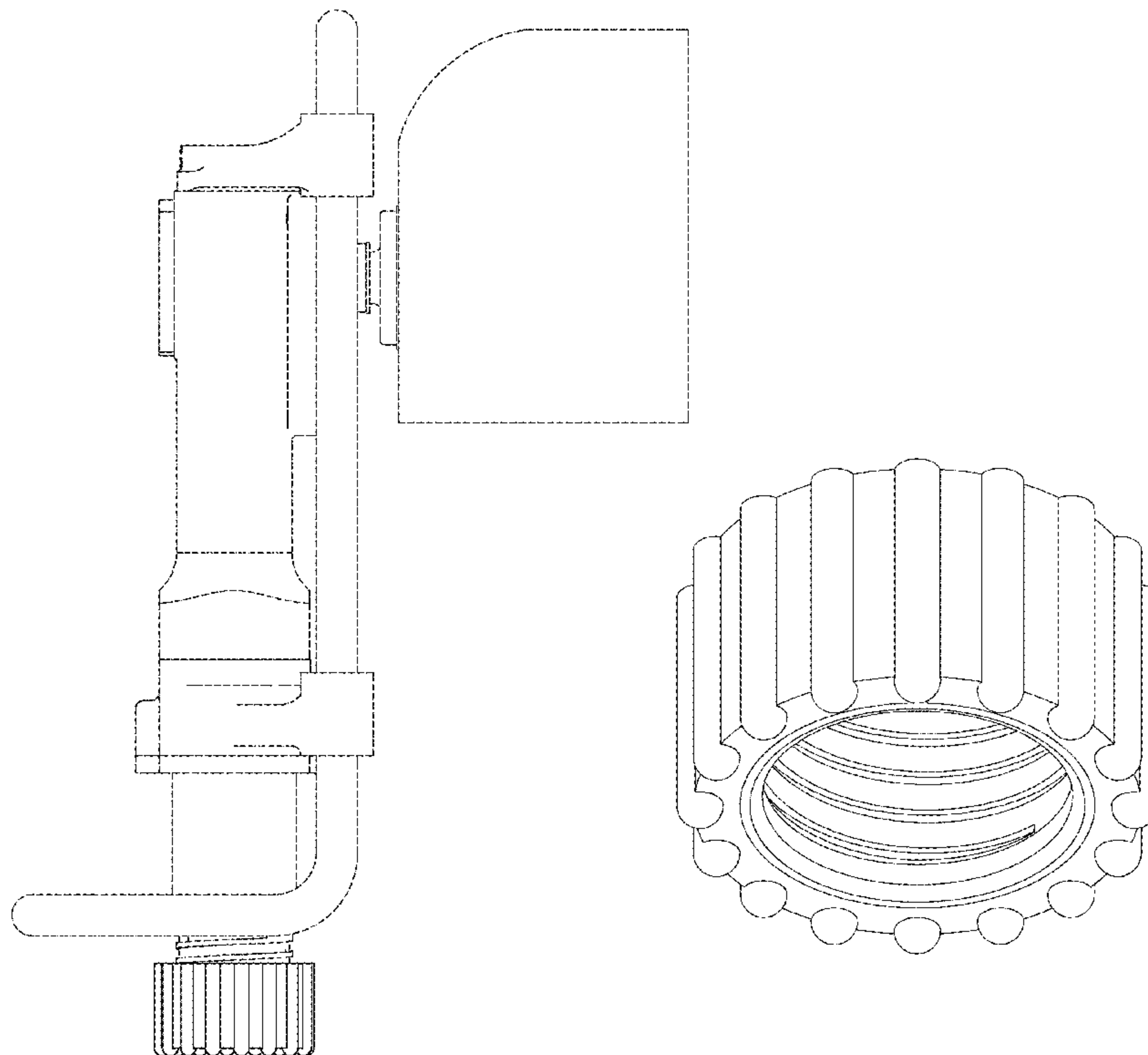
(57) **CLAIM**

The ornamental design for a post driver chuck nut, as shown and described.

DESCRIPTION

FIG. 1 is a reduced scale side view of the post driver chuck nut;
FIG. 2 is a front view thereof;
FIG. 3 is a cross-section thereof taken from line 3-3 in FIG. 2;
FIG. 4 is a top view thereof;
FIG. 5 is a bottom view thereof; and,
FIG. 6 is a front and bottom perspective view thereof.
The dashed lines in the drawing figures represent the environment and do not constitute part of the claimed design.

1 Claim, 4 Drawing Sheets



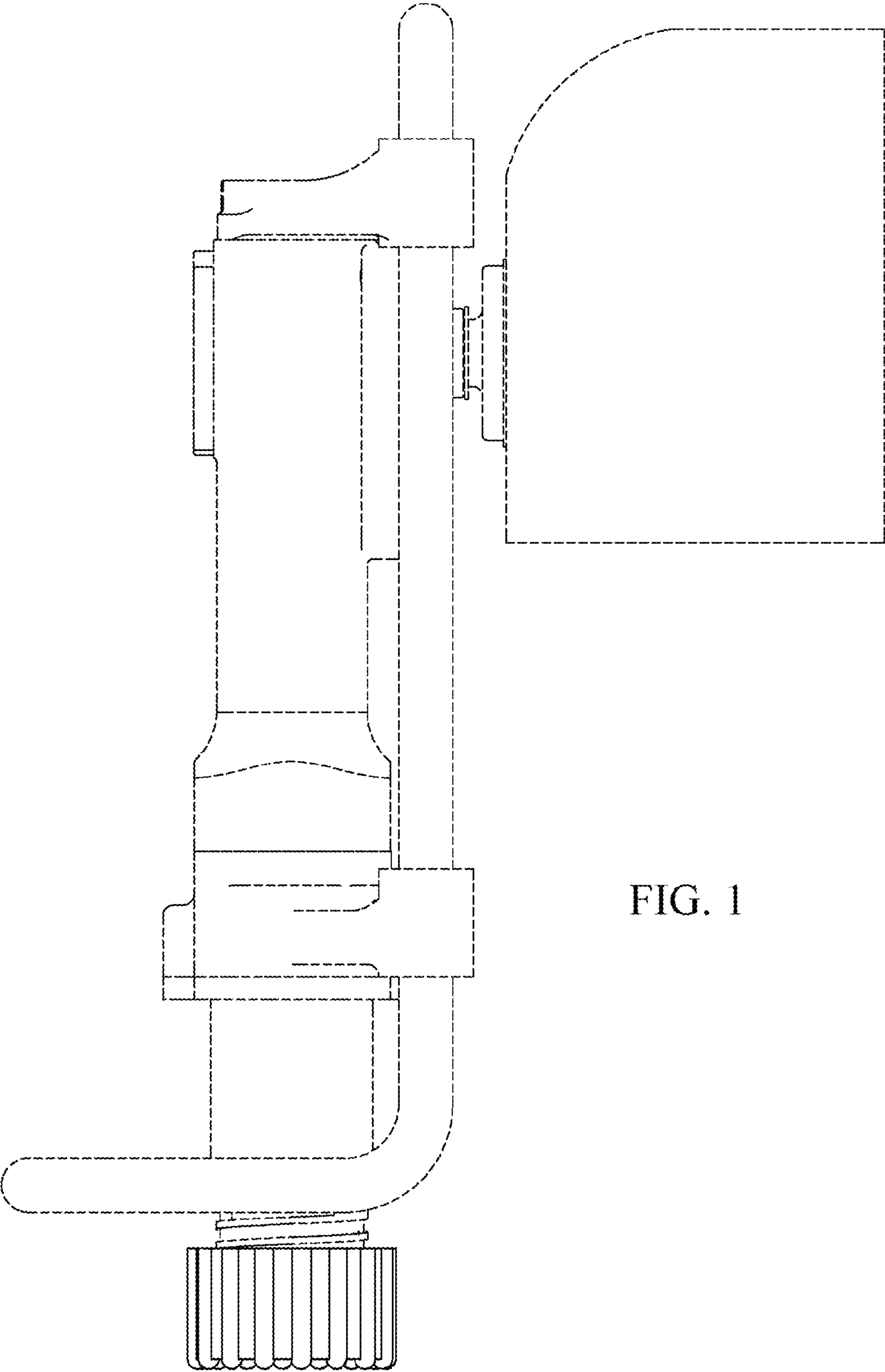


FIG. 1

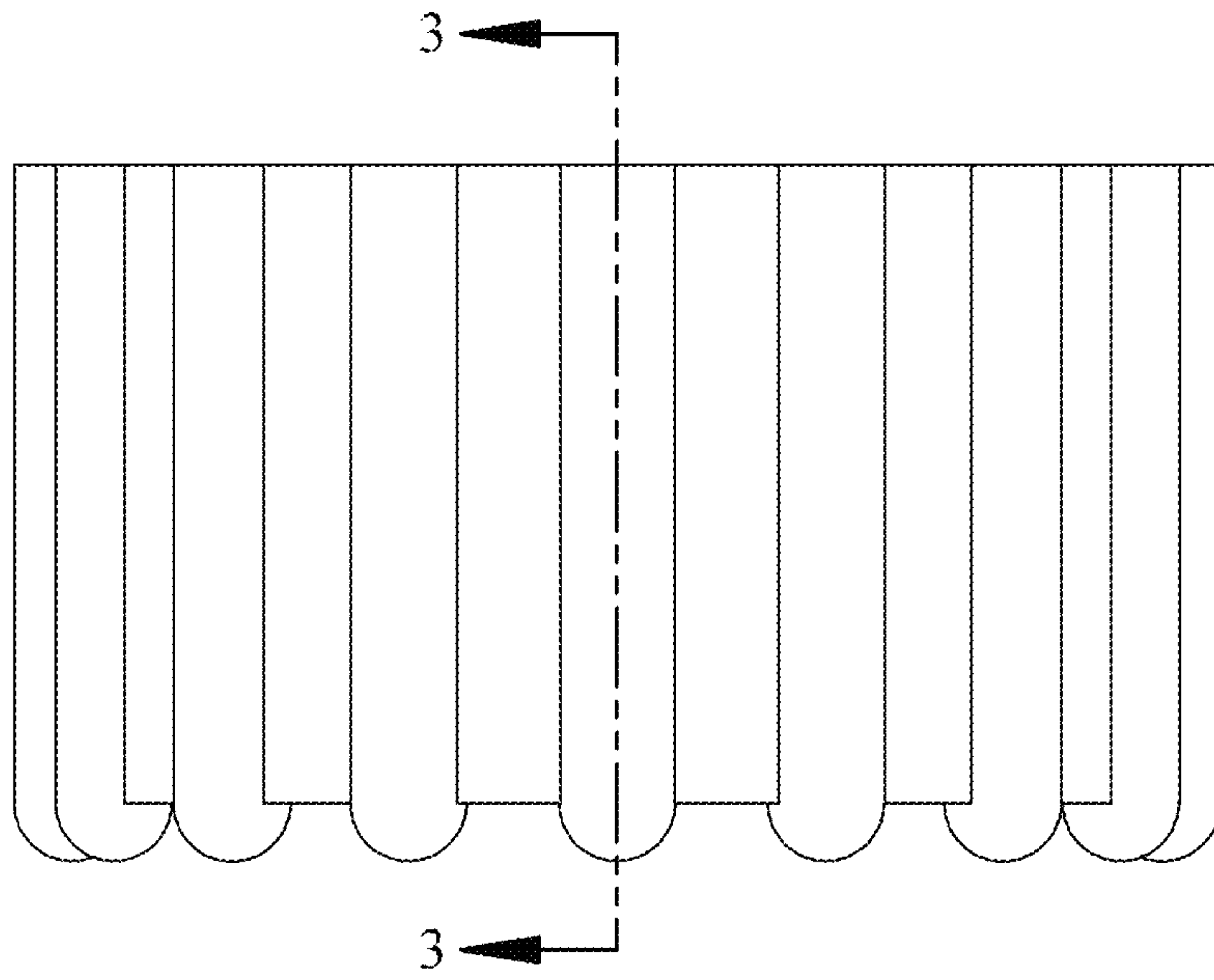


FIG. 2

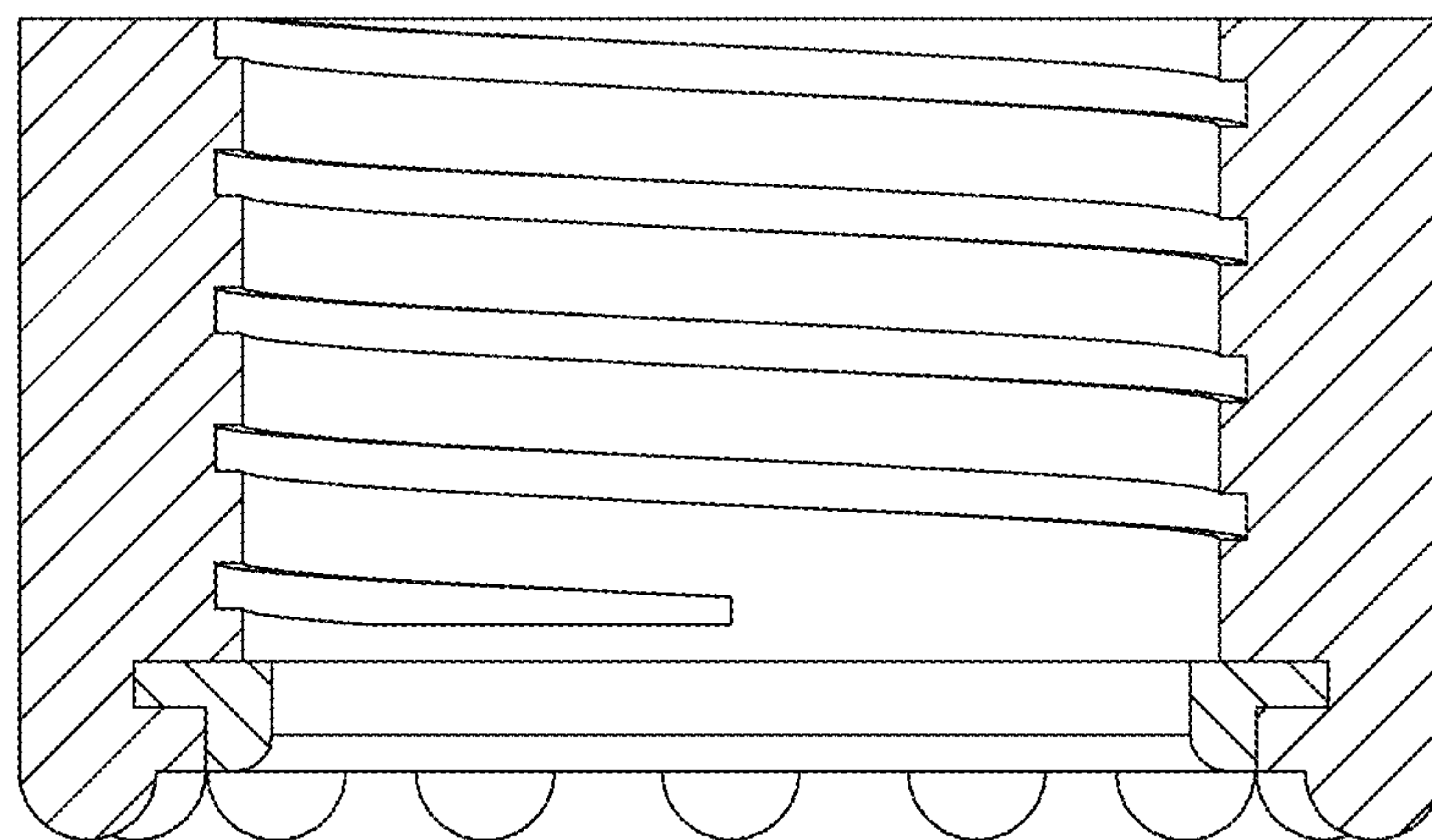


FIG. 3

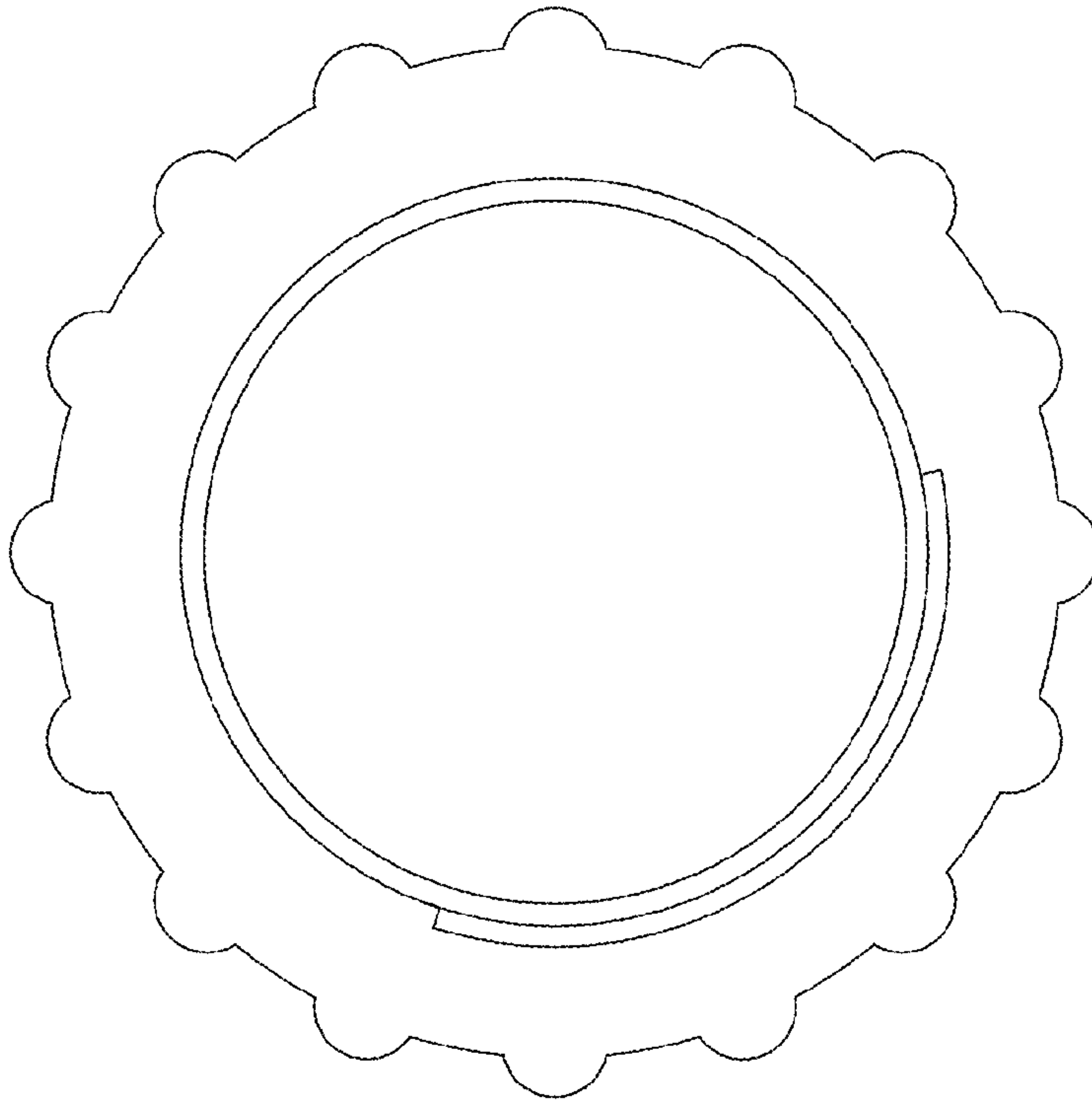


FIG. 4

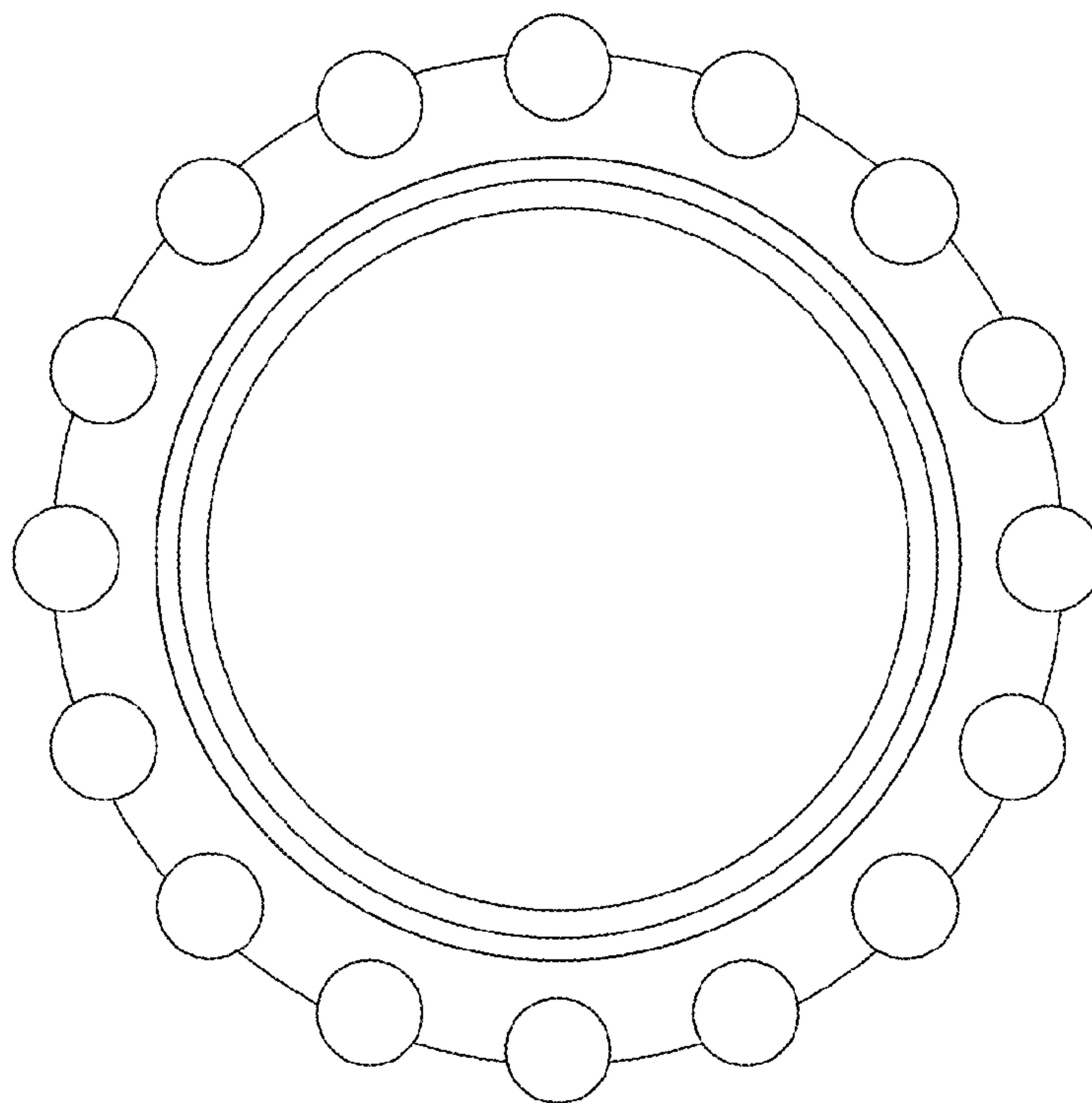


FIG. 5

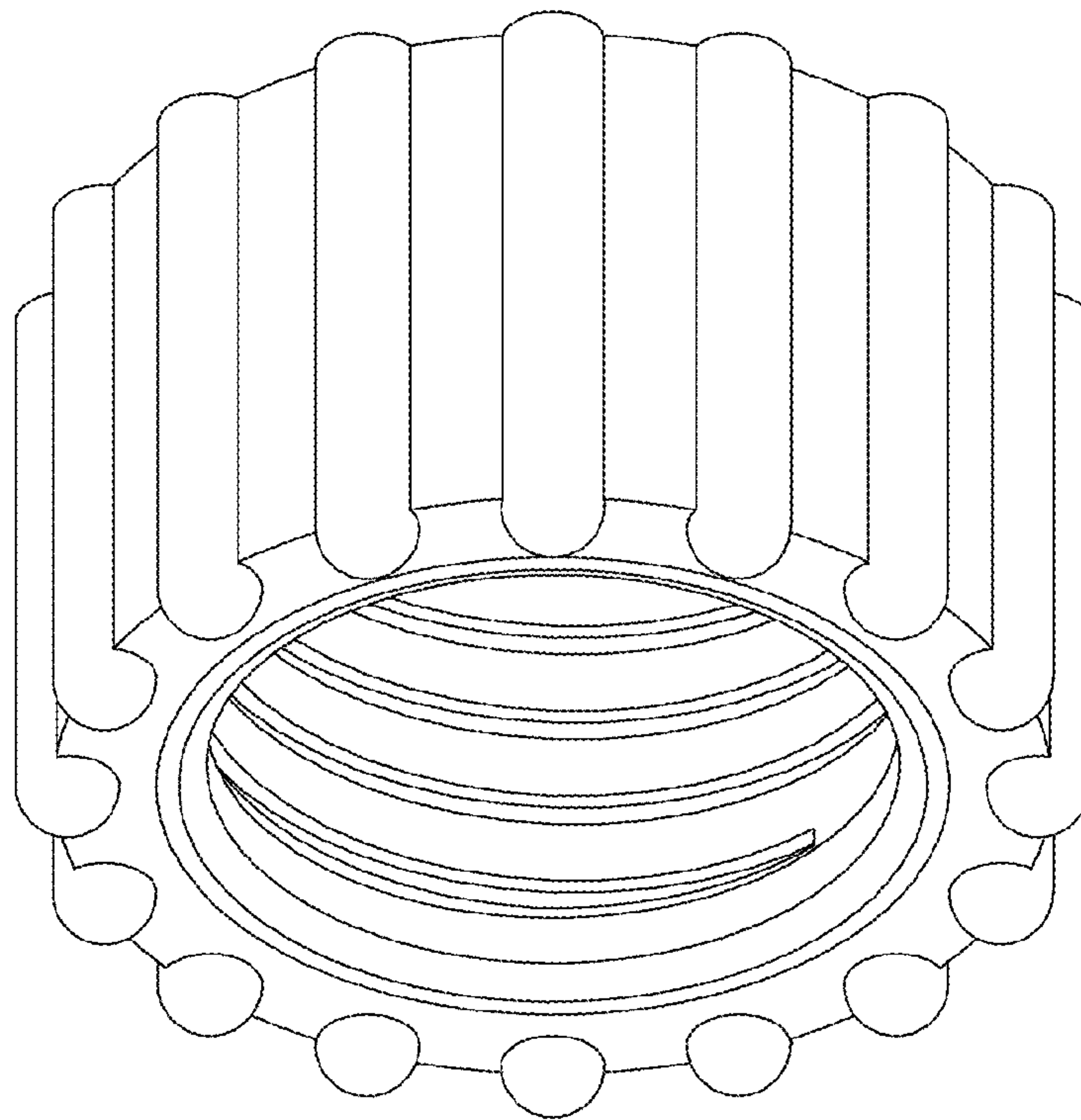


FIG. 6