



US00D711732S

(12) **United States Design Patent**  
**Schermer**

(10) **Patent No.:** **US D711,732 S**

(45) **Date of Patent:** **\*\* Aug. 26, 2014**

(54) **WHEEL LOCK**

(71) Applicant: **Peter J. Schermer**, Los Angeles, CA  
(US)

(72) Inventor: **Peter J. Schermer**, Los Angeles, CA  
(US)

(73) Assignee: **Ancor Industries, Inc.**, Los Angeles,  
CA (US)

(\*\*) Term: **14 Years**

(21) Appl. No.: **29/471,589**

(22) Filed: **Nov. 1, 2013**

(51) **LOC (10) Cl.** ..... **08-08**

(52) **U.S. Cl.**  
USPC ..... **D8/397**

(58) **Field of Classification Search**  
USPC ..... D8/397, 394, 382, 349, 399, 387, 392;  
411/427, 429, 432, 918, 179, 180, 190,  
411/327, 531; D23/303; 605/232; 248/154  
See application file for complete search history.

(56) **References Cited**

**U.S. PATENT DOCUMENTS**

D203,947 S \* 3/1966 Pick ..... D8/387  
D262,863 S \* 2/1982 Barnsdale ..... D8/385  
D308,982 S \* 7/1990 Moore ..... D16/132  
D511,499 S \* 11/2005 Chung ..... D13/154

D557,132 S \* 12/2007 Shinjo ..... D8/397  
D558,037 S \* 12/2007 Chelchowski et al. .... D8/382  
7,550,669 B2 \* 6/2009 Rizzuto, Jr. .... 174/68.1  
D600,546 S \* 9/2009 Scilingo et al. .... D8/397  
D608,294 S \* 1/2010 Shaw ..... D13/151  
D623,049 S \* 9/2010 Zeyfang ..... D8/397  
D625,170 S \* 10/2010 McGrath ..... D8/355  
D637,907 S \* 5/2011 Maxa et al. .... D9/452  
7,952,034 B2 \* 5/2011 Kiely et al. .... 174/650  
D649,031 S \* 11/2011 Rand ..... D8/397

\* cited by examiner

*Primary Examiner* — Cynthia Underwood

(74) *Attorney, Agent, or Firm* — Sheppard Mullin Richter &  
Hampton LLP

(57) **CLAIM**

The ornamental design for a wheel lock, as shown and  
described.

**DESCRIPTION**

FIG. 1 is a front perspective view of a wheel lock showing my  
new design;  
FIG. 2 is a rear perspective view thereof;  
FIG. 3 is a top view thereof;  
FIG. 4 is a bottom view thereof;  
FIG. 5 is a front elevational view thereof;  
FIG. 6 is a rear elevational view thereof;  
FIG. 7 is a left view thereof; and,  
FIG. 8 is a right view thereof.

**1 Claim, 4 Drawing Sheets**

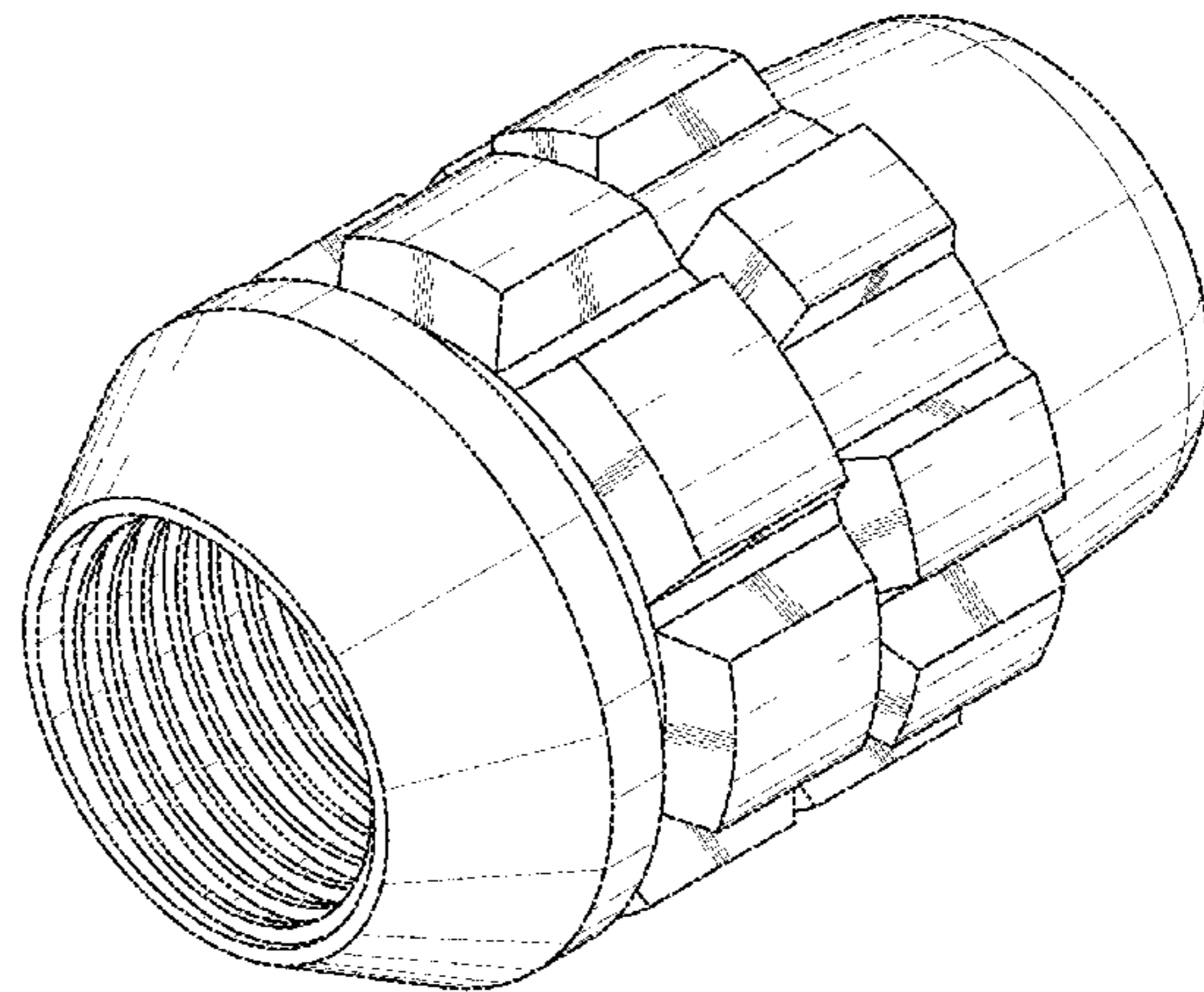
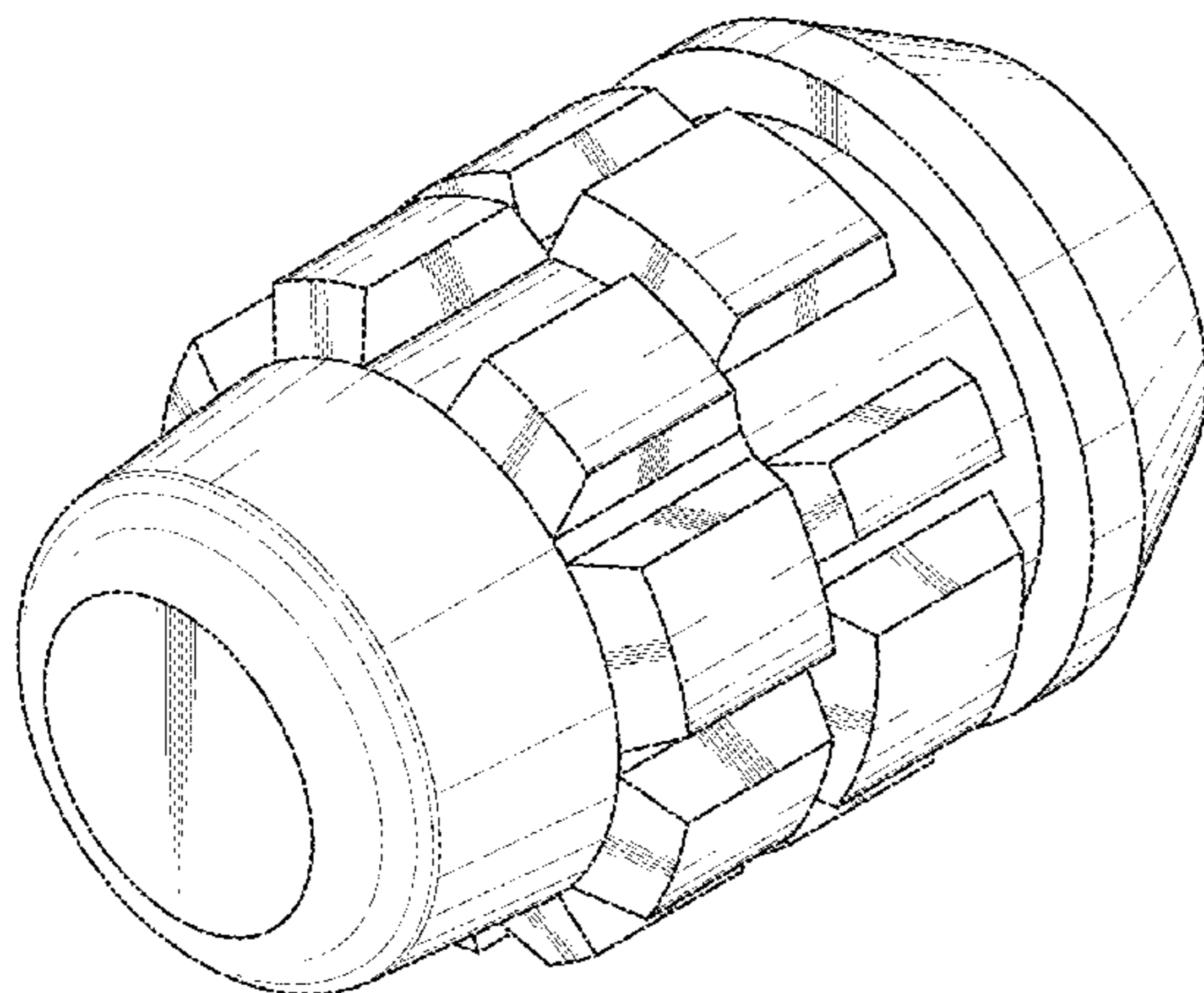


FIG. 1

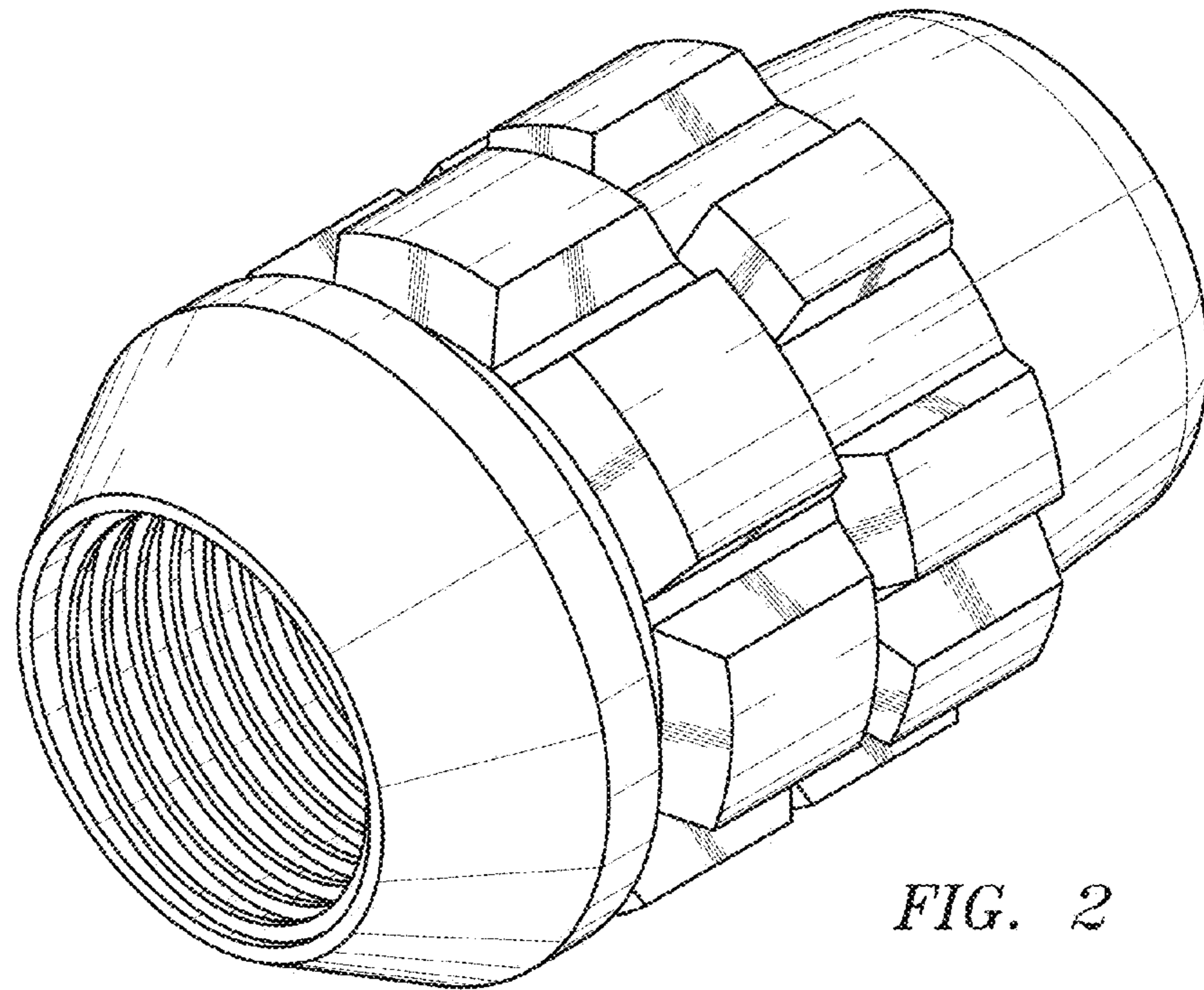
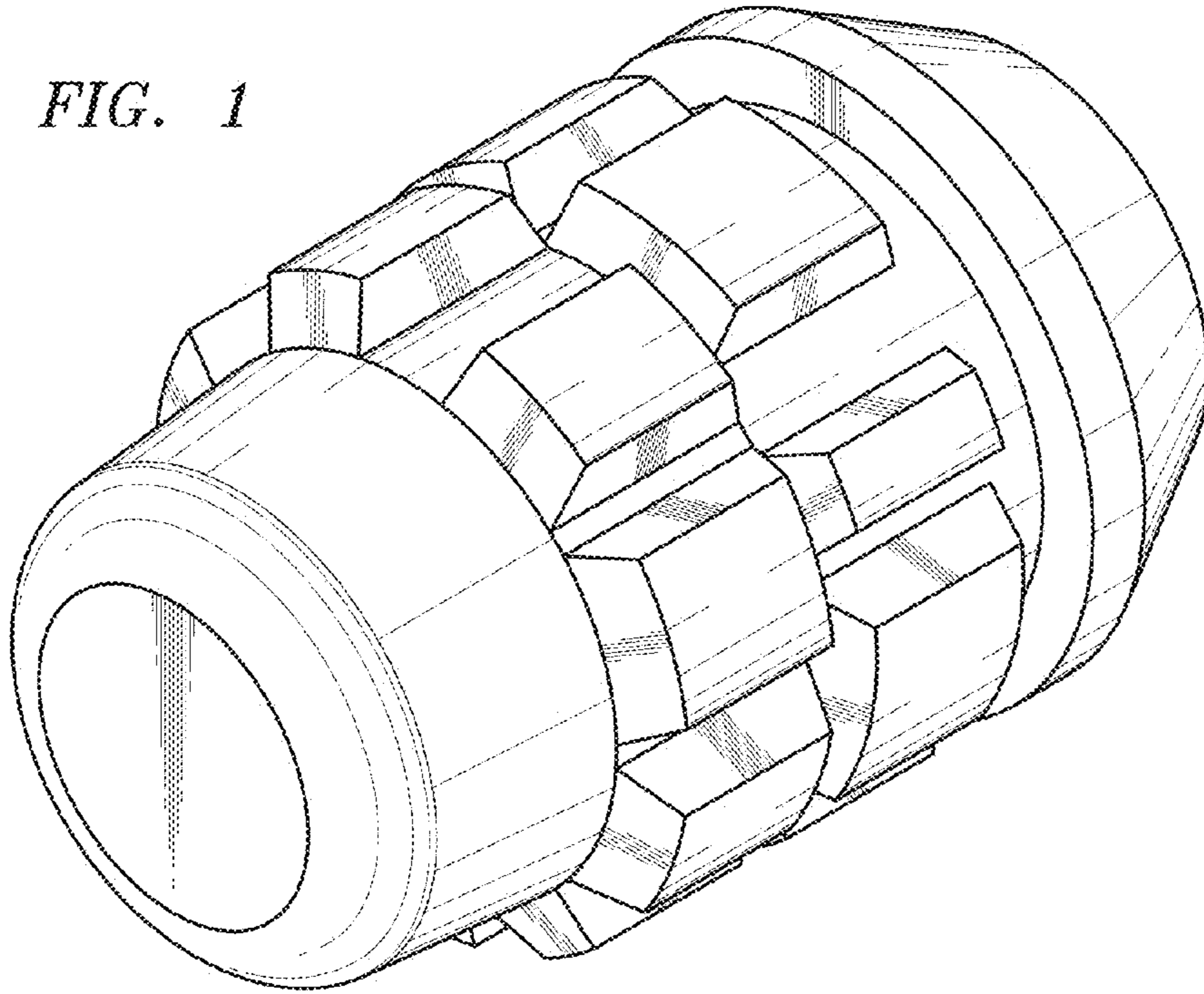


FIG. 2



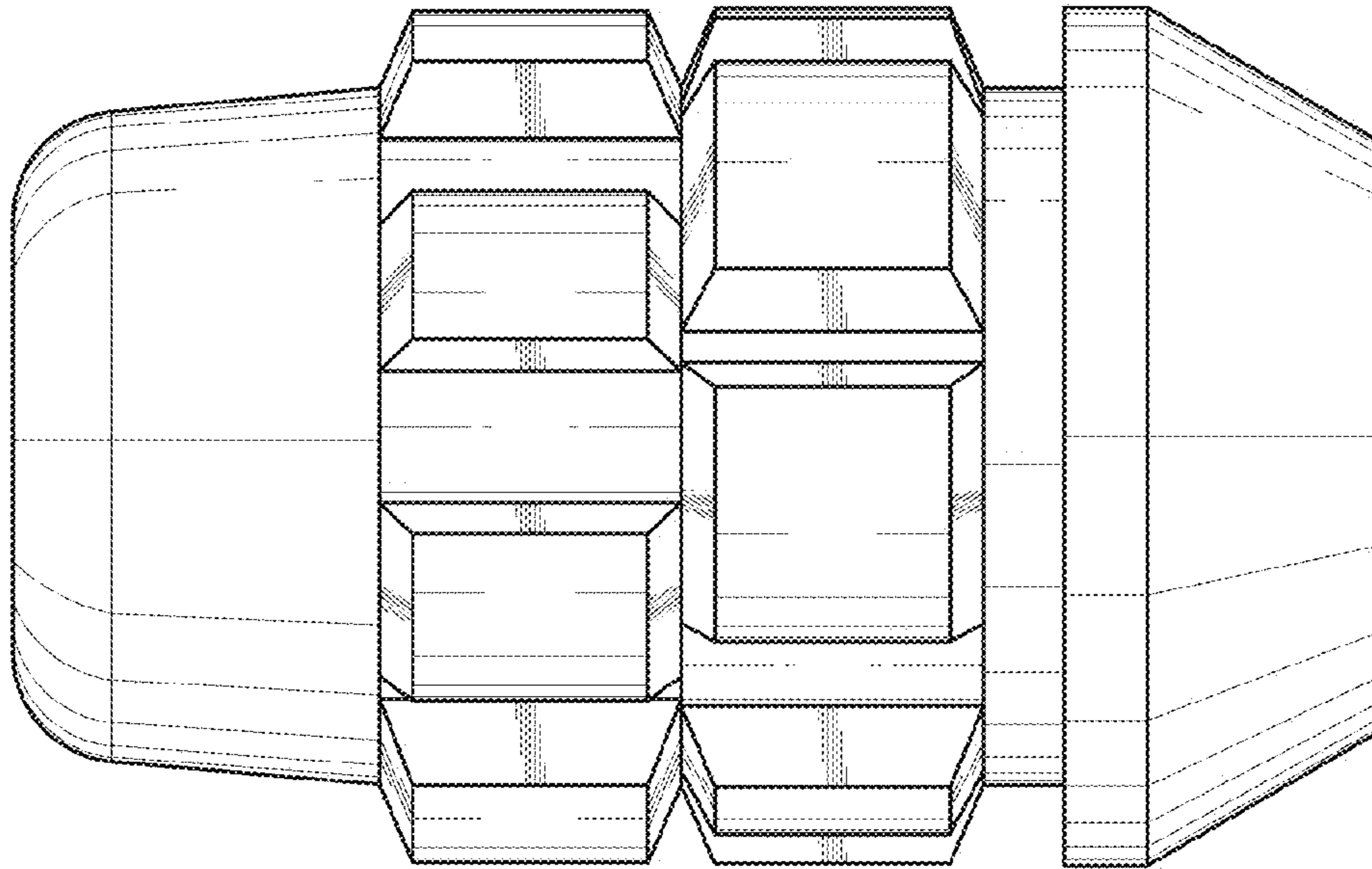


FIG. 3

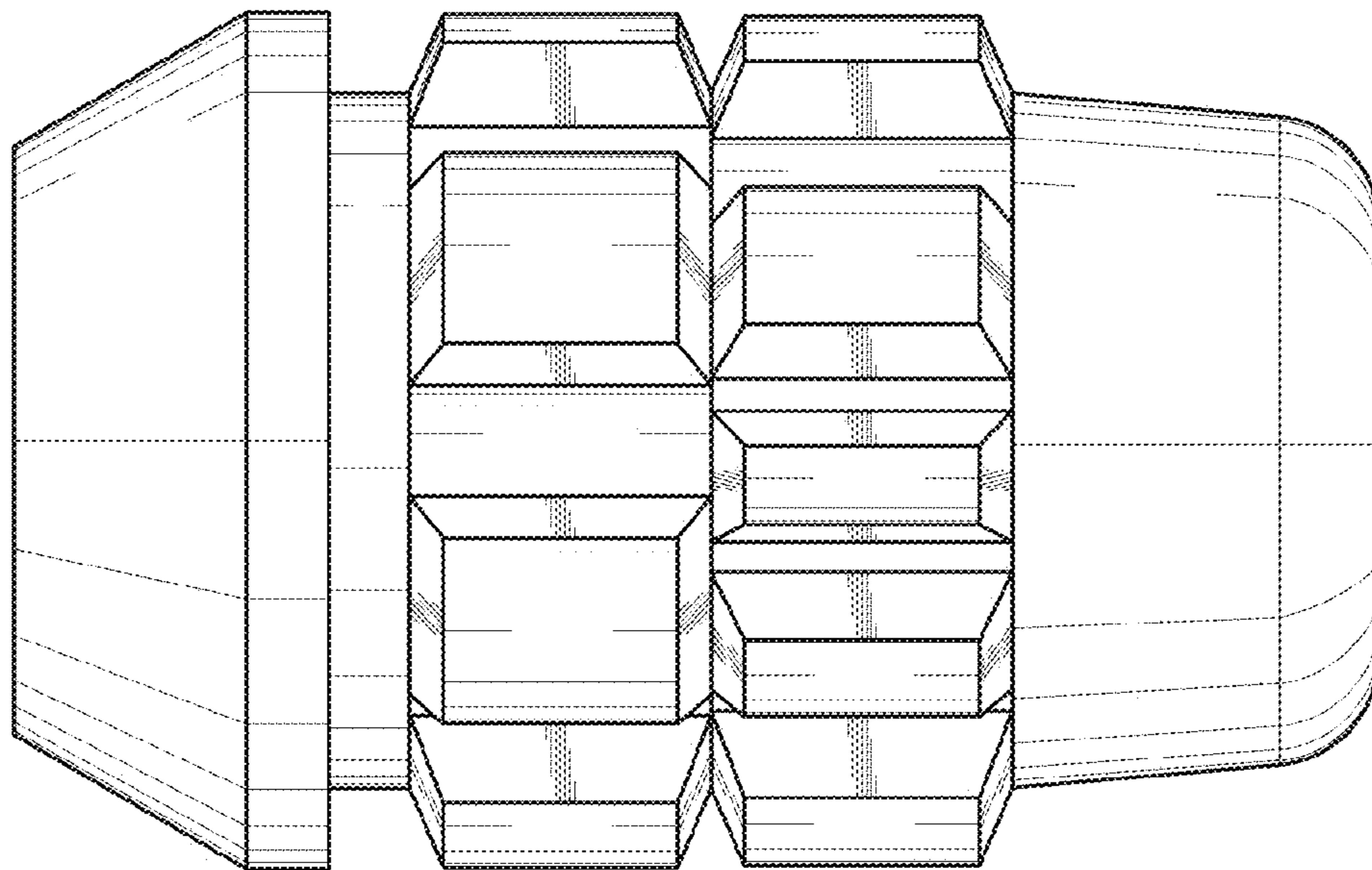
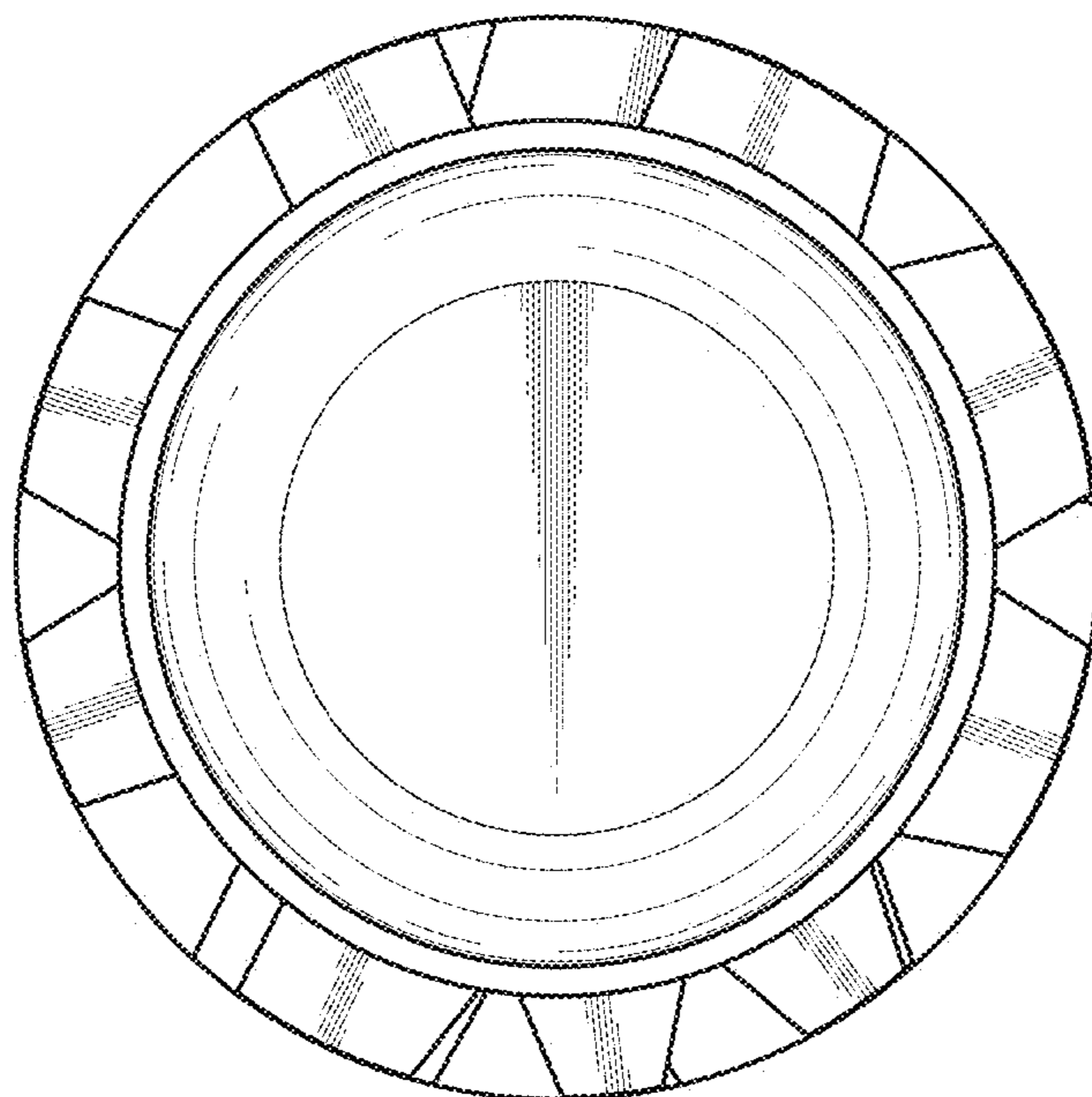
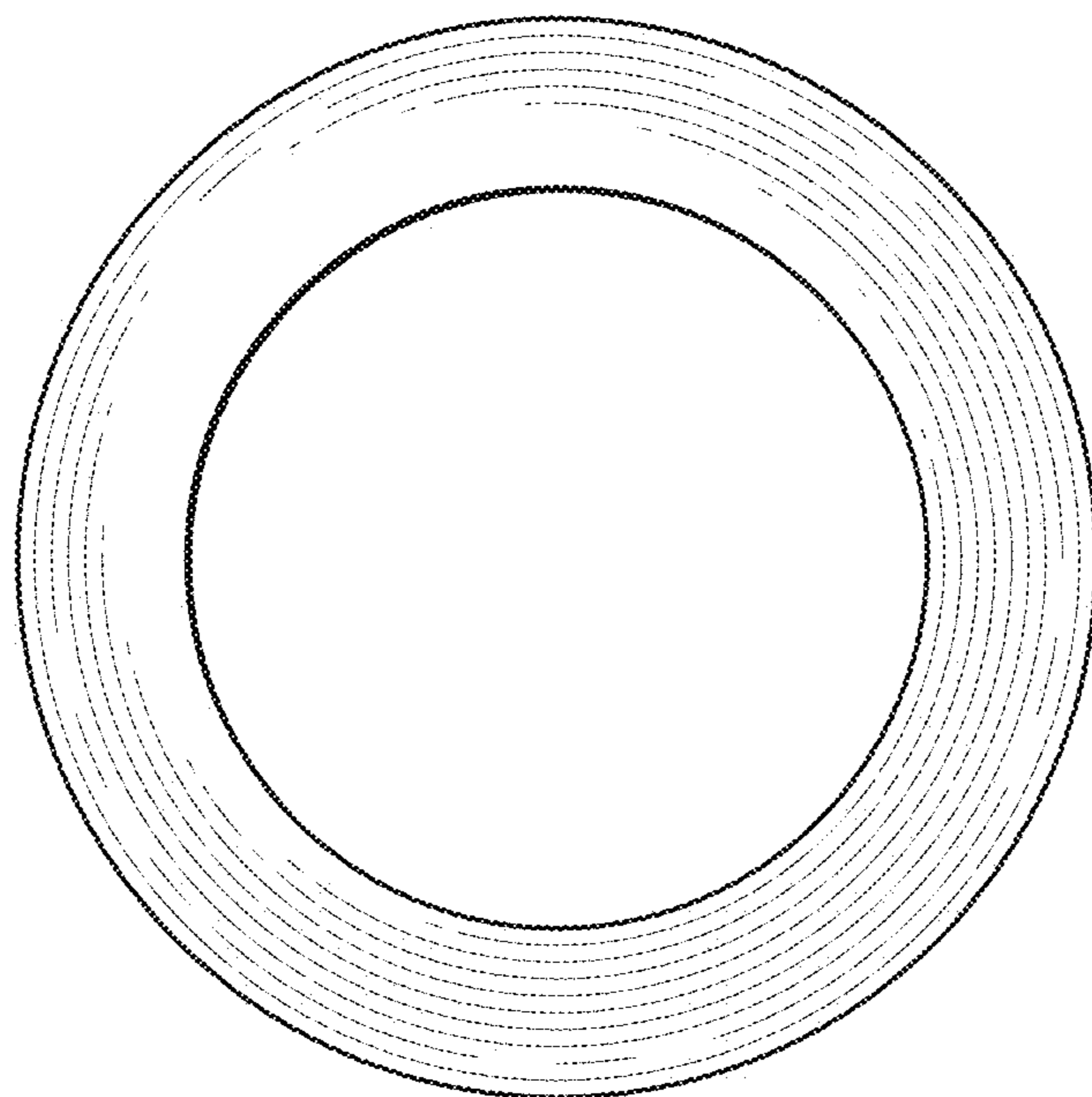


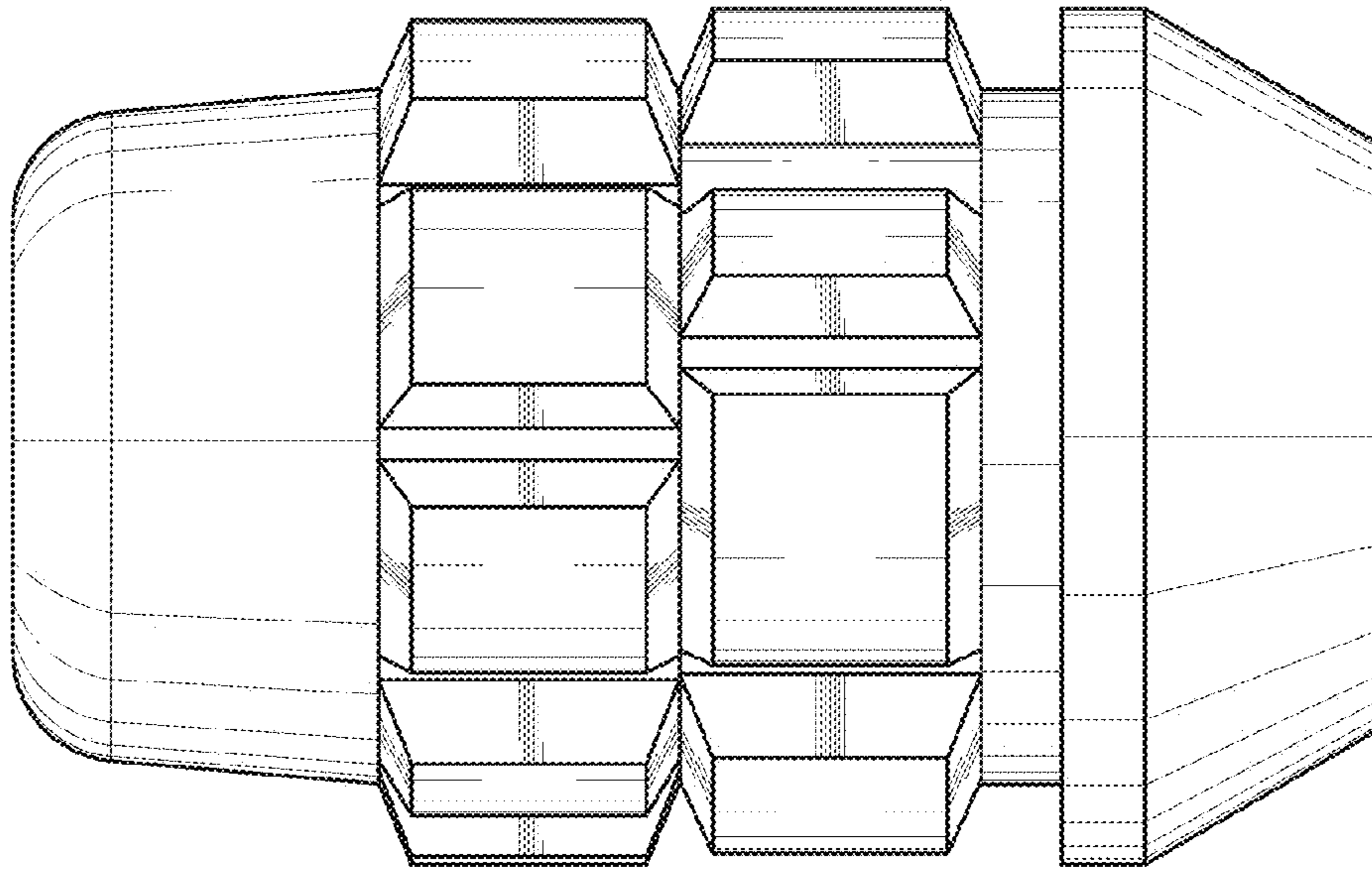
FIG. 4



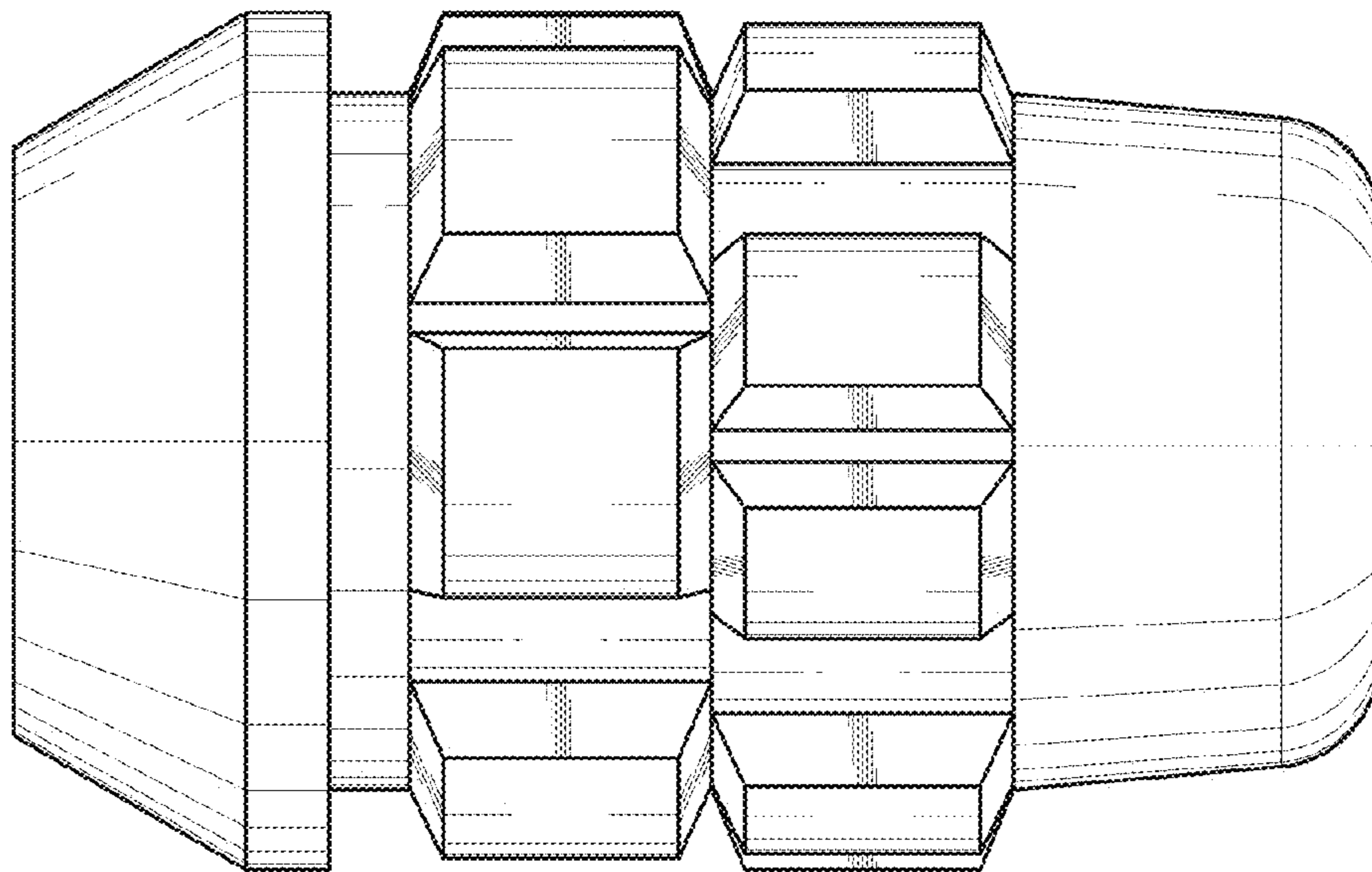
*FIG. 5*



*FIG. 6*



*FIG. 7*



*FIG. 8*