



US00D711730S

(12) **United States Design Patent**
McKiernan

(10) **Patent No.:** **US D711,730 S**

(45) **Date of Patent:** **** Aug. 26, 2014**

(54) **TUBE CLAMP**

(76) **Inventor:** **Kevin McKiernan**, Hillsborough, NJ
(US)

(**) **Term:** **14 Years**

(21) **Appl. No.:** **29/416,678**

(22) **Filed:** **Mar. 26, 2012**

(51) **LOC (10) Cl.** **08-08**

(52) **U.S. Cl.**
USPC **D8/396**

(58) **Field of Classification Search**
USPC D8/396; D23/265; 24/274 R, 279, 276;
285/252, 253, 410, 364, 407
See application file for complete search history.

D584,604	S *	1/2009	Baldwin	D8/396
D598,076	S *	8/2009	Dole	D23/262
7,644,960	B2 *	1/2010	Casey et al.	285/367
7,883,121	B2 *	2/2011	Henry	285/410
D644,095	S *	8/2011	Underwood et al.	D8/396
8,106,278	B2 *	1/2012	Eason	84/421
8,196,971	B2 *	6/2012	Hansen	285/367
8,220,113	B2 *	7/2012	Morton et al.	24/284
D668,921	S *	10/2012	Fossum	D8/21
D672,229	S *	12/2012	Reid	D8/396
8,328,458	B2 *	12/2012	Werth	403/289
8,387,252	B1 *	3/2013	Johnson et al.	29/890.051
2002/0109355	A1 *	8/2002	Elliott	285/410
2005/0000062	A1 *	1/2005	Lin	24/279
2005/0056707	A1 *	3/2005	Gowens et al.	239/112

(Continued)

Primary Examiner — John Windmuller
(74) *Attorney, Agent, or Firm* — R. Neil Sudol; Henry D. Coleman

(56) **References Cited**

U.S. PATENT DOCUMENTS

167,262	A *	8/1875	Lewis	24/285
429,105	A *	5/1890	Avery	269/241
D181,558	S *	11/1957	Urie et al.	D8/398
3,966,240	A *	6/1976	Enomoto	285/367
4,568,115	A *	2/1986	Zimmerly	285/411
D373,305	S *	9/1996	Decursu et al.	D8/398
D376,974	S *	12/1996	Chen	D8/396
5,653,481	A *	8/1997	Alderman	285/363
5,873,611	A *	2/1999	Munley et al.	285/367
D411,440	S *	6/1999	Stahel	D8/396
6,030,006	A *	2/2000	Lin	285/411
6,056,332	A *	5/2000	Foster	285/367
D438,783	S *	3/2001	Elliott	D8/396
6,523,866	B2 *	2/2003	Lin	285/410
6,708,377	B2 *	3/2004	Maunder	24/279
7,137,611	B2 *	11/2006	Aulicino	251/9
D536,607	S *	2/2007	Bekkevold	D8/396
D553,971	S *	10/2007	Krueger	D8/396
7,290,805	B2 *	11/2007	Wu	285/365
7,384,078	B2 *	6/2008	Cobb et al.	285/420
D577,423	S *	9/2008	Dole	D23/265

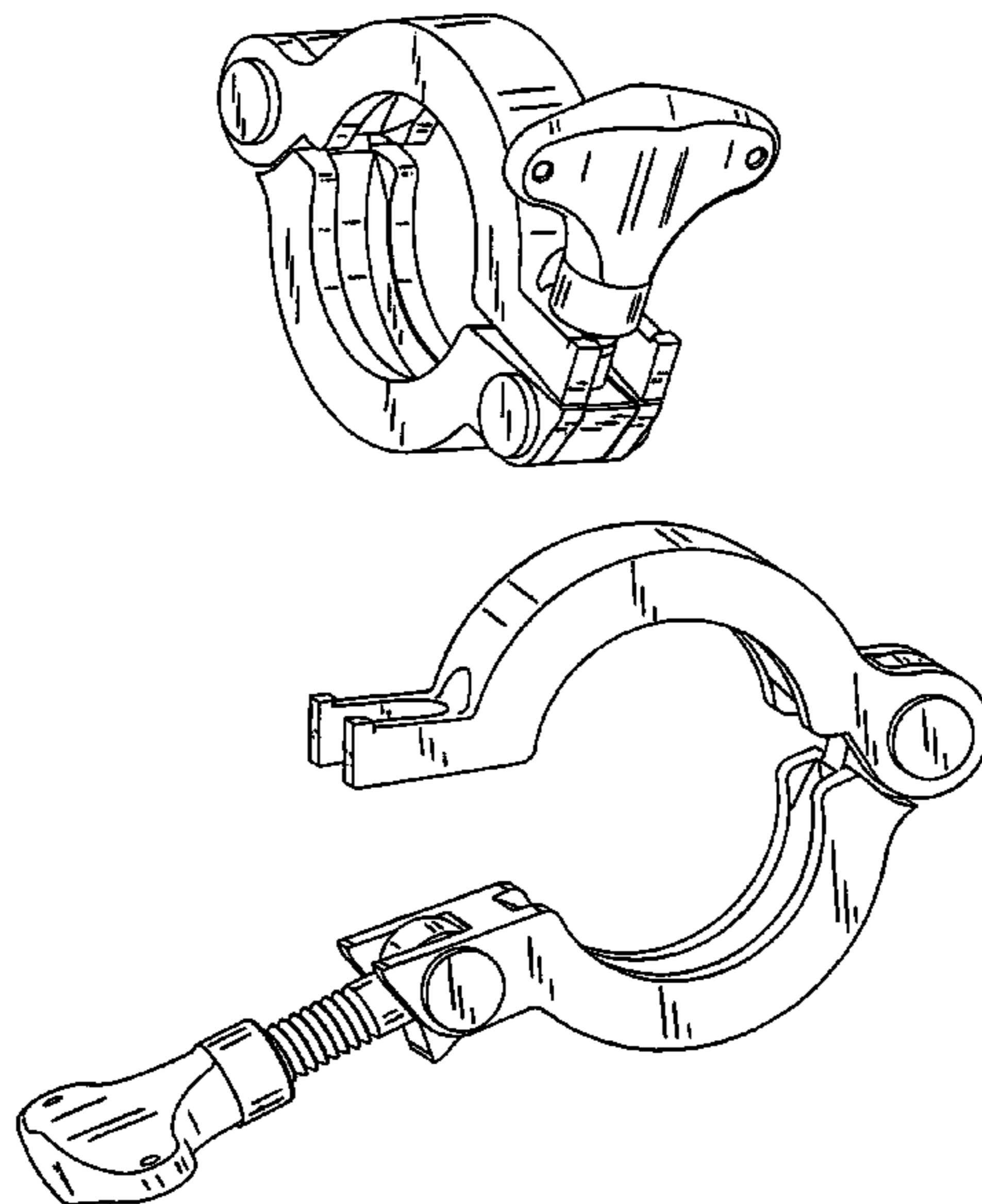
(57) **CLAIM**

The ornamental design for a tube clamp, as shown and described.

DESCRIPTION

FIG. 1 is a top, front, and right side perspective view of a tube clamp, showing my new design;
FIG. 2 is a top plan view thereof, on a larger scale;
FIG. 3 is a front elevational view thereof, on a still larger scale;
FIG. 4 is a bottom plan view thereof, on a large scale;
FIG. 5 is a rear elevational view thereof, on a smaller scale;
FIG. 6 is a left side elevational view thereof, on a small scale;
FIG. 7 is a right side elevational view thereof, on a larger scale; and,
FIG. 8 is a top, front, and left side perspective view thereof, showing my new design in an open configuration on a small scale.

1 Claim, 3 Drawing Sheets



US D711,730 S

Page 2

(56)

References Cited

U.S. PATENT DOCUMENTS

2005/0205722 A1*	9/2005	Krueger	248/62			
2005/0258648 A1*	11/2005	Newman	285/364			
2006/0197344 A1*	9/2006	Henry	285/420			
2007/0138351 A1*	6/2007	Wu	248/74.2			
2009/0096210 A1*	4/2009	Maunder	285/411			
2013/0249212 A1*	9/2013	McKiernan	285/407			

* cited by examiner

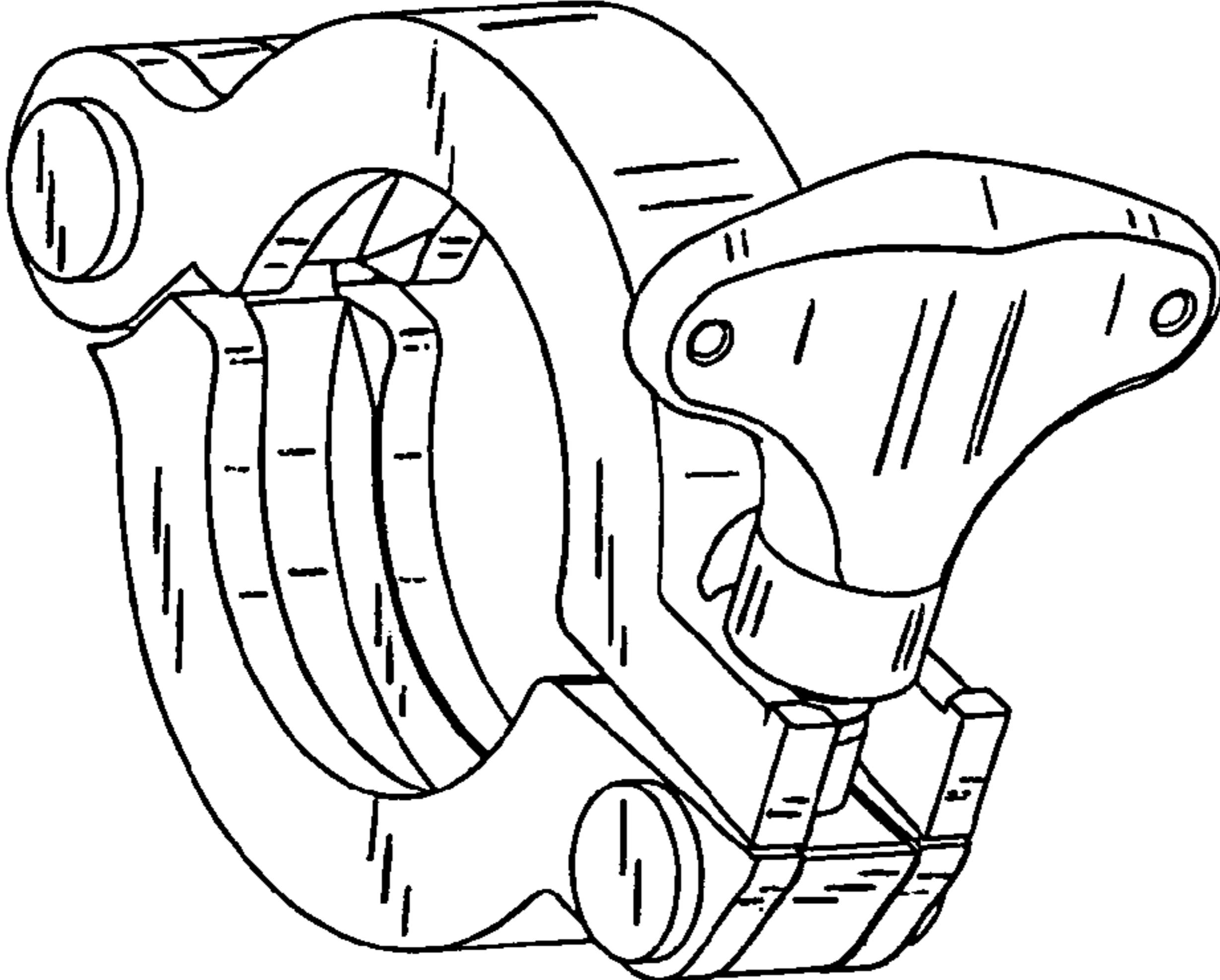


FIG. 1

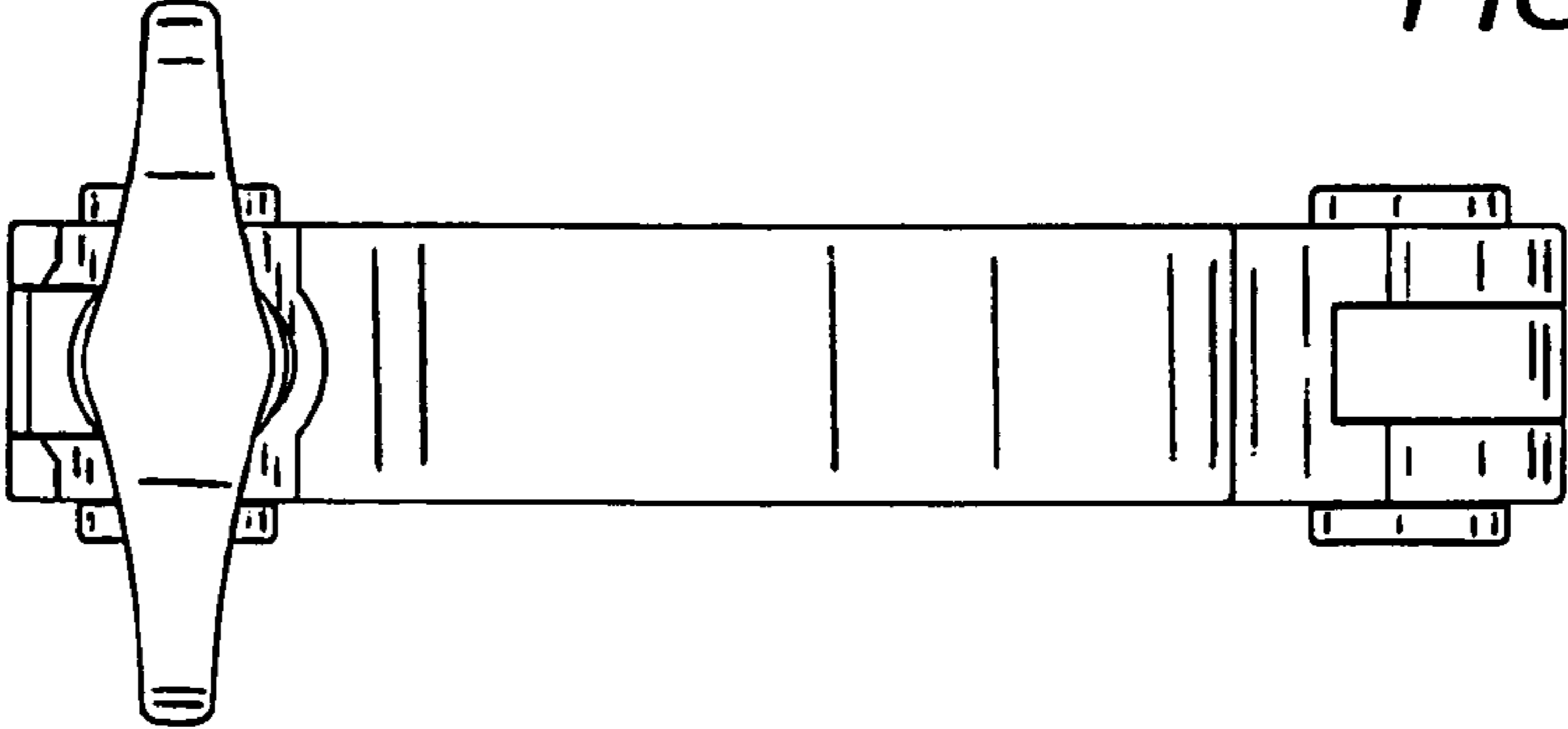


FIG. 2

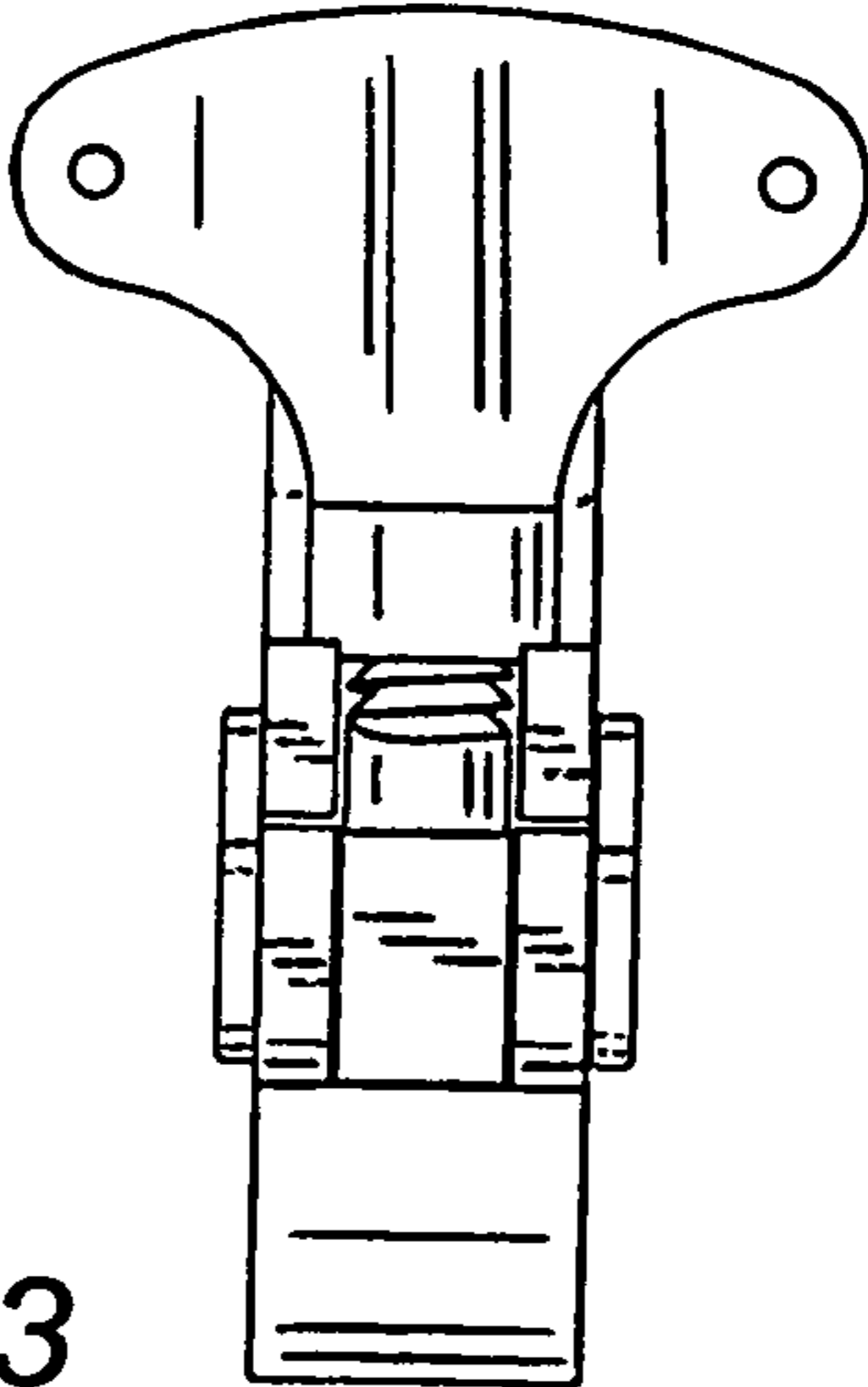


FIG. 3

FIG. 4

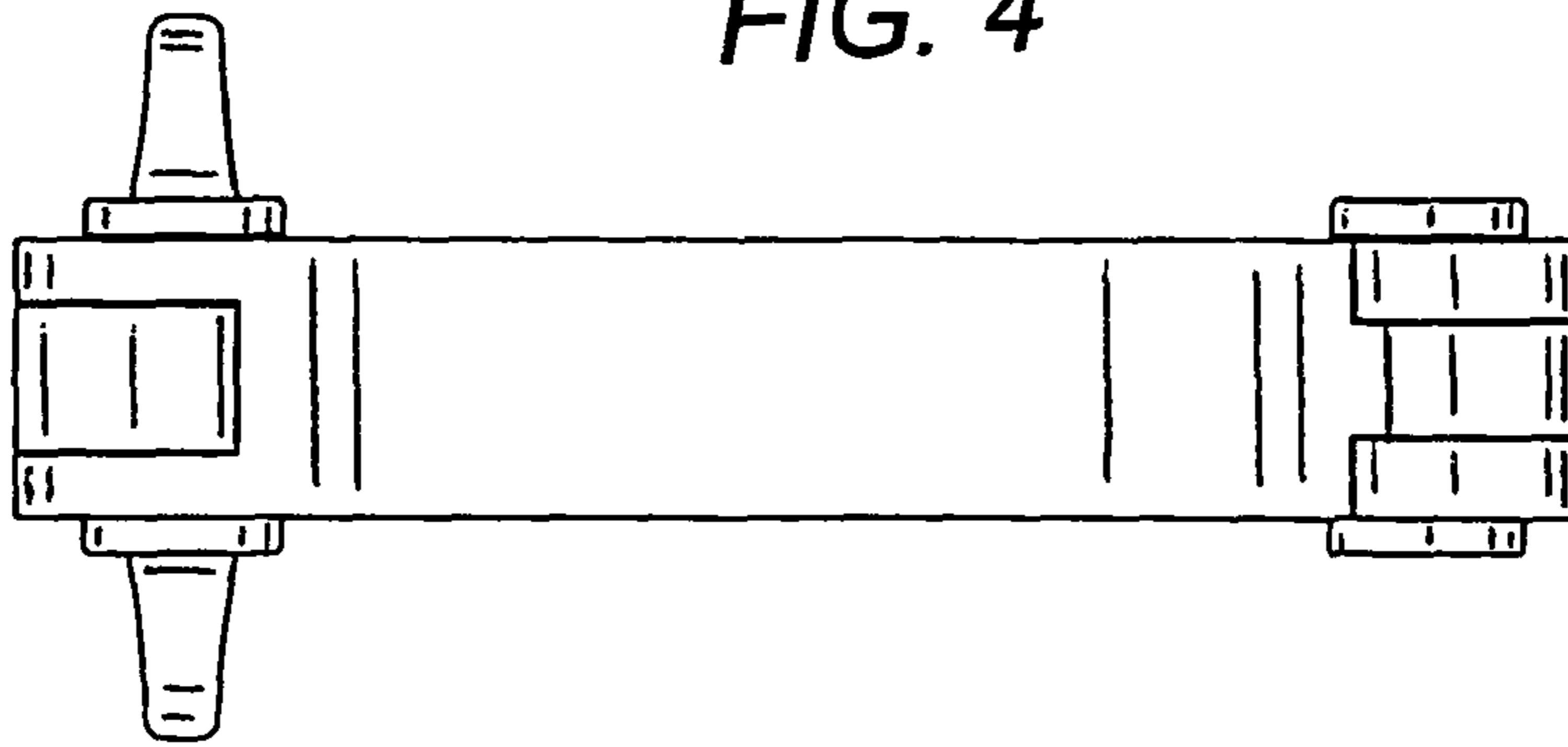


FIG. 5

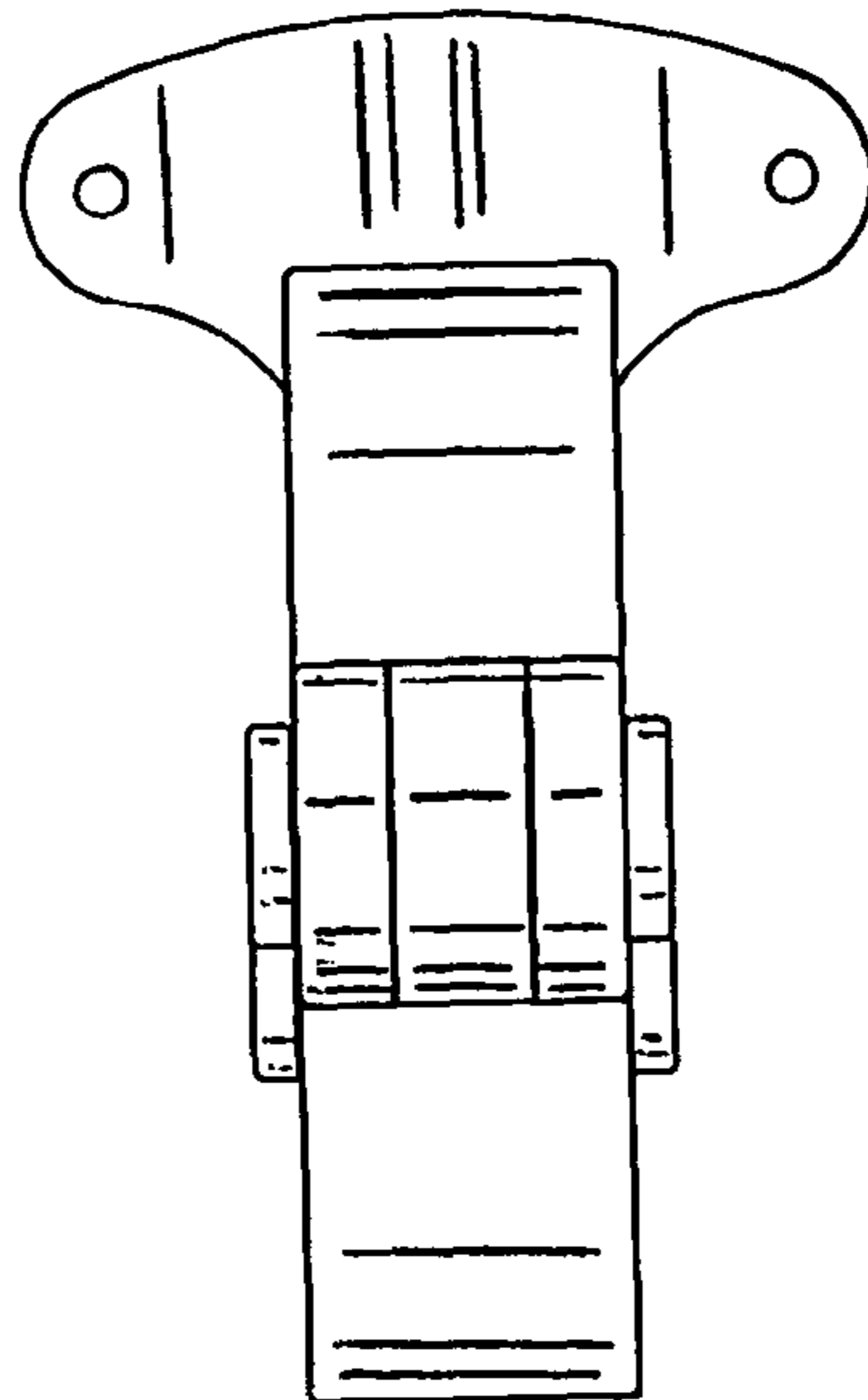
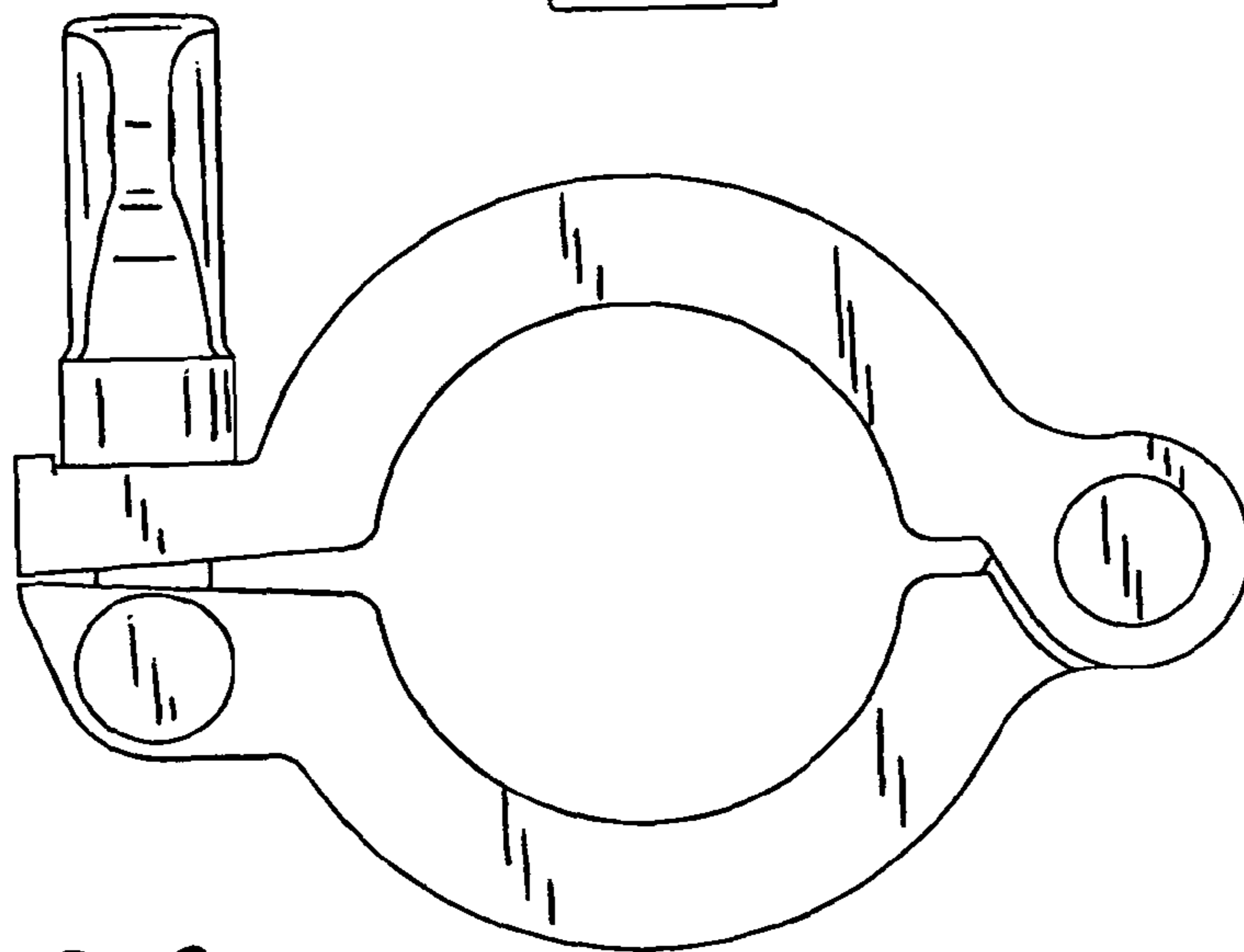


FIG. 6



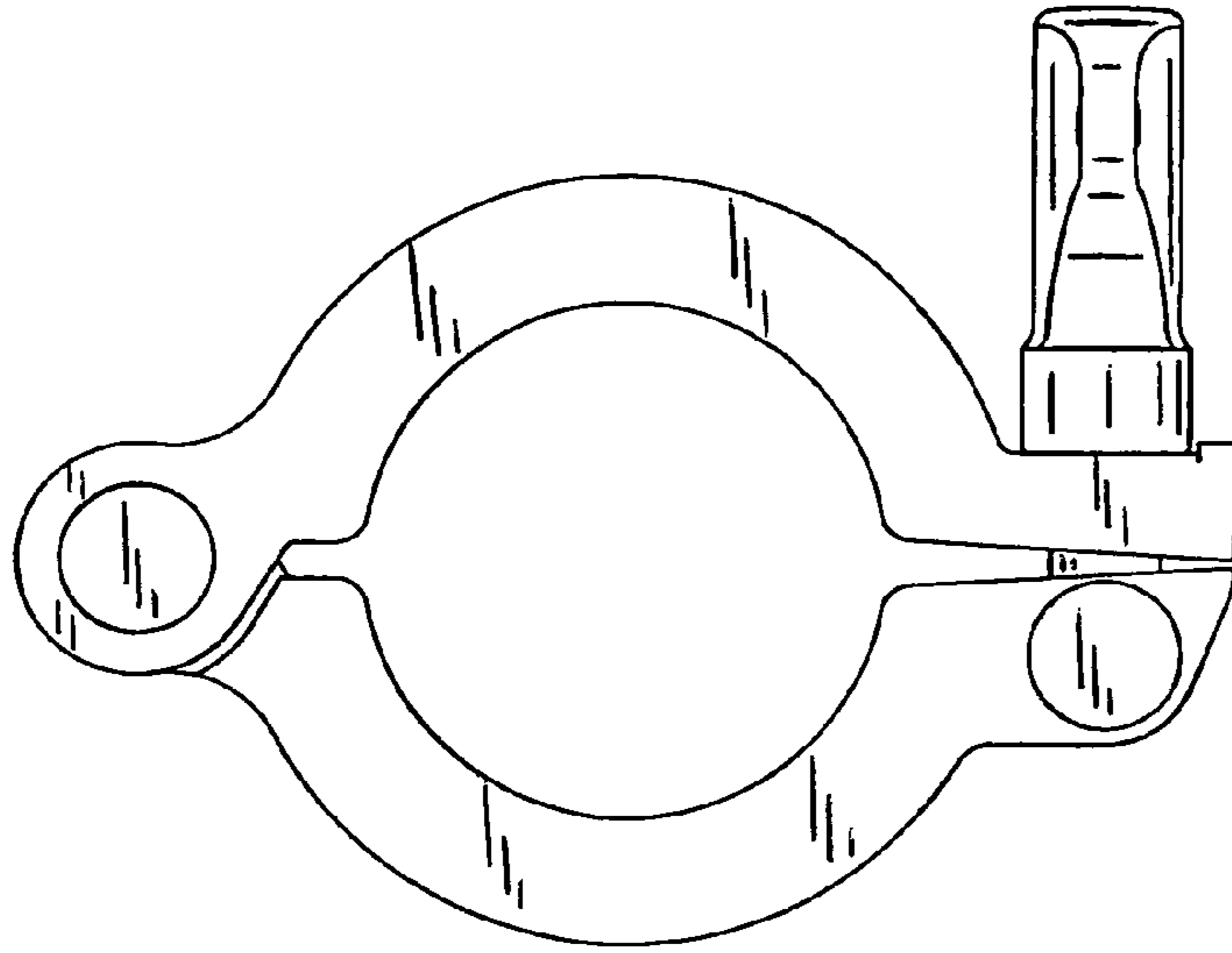


FIG. 7

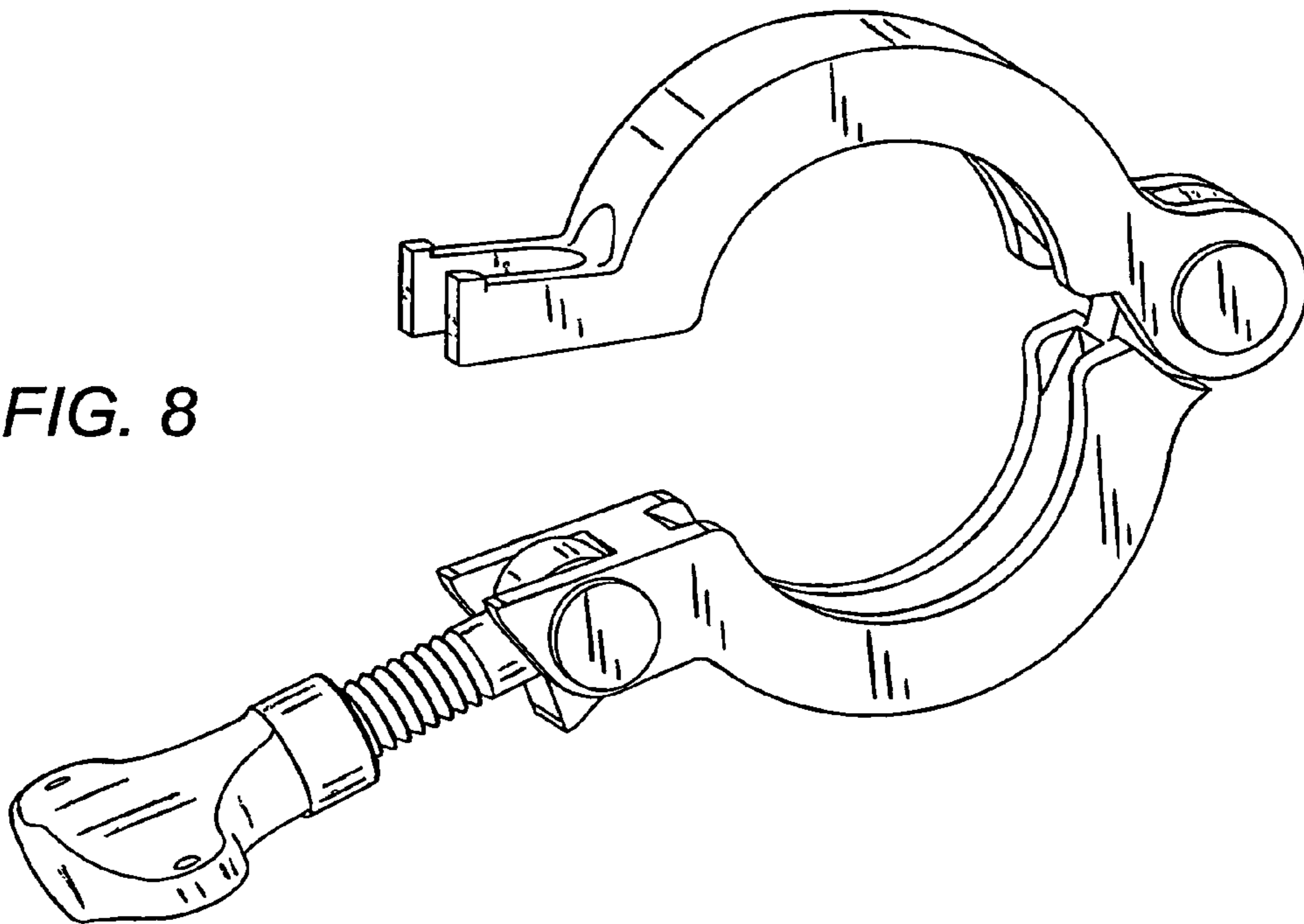


FIG. 8