



US00D711728S

(12) **United States Design Patent**
Kang

(10) **Patent No.:** **US D711,728 S**

(45) **Date of Patent:** **** Aug. 26, 2014**

(54) **FLAT TIE FOR FORMWORK PANEL ASSEMBLY**

6,775,954 B1 * 8/2004 Sorkin 52/686
D646,559 S * 10/2011 Near D8/384

(71) Applicant: **Chang-Gyu Kang**, Jinju (KR)

* cited by examiner

(72) Inventor: **Chang-Gyu Kang**, Jinju (KR)

Primary Examiner — Sheryl Lane

(**) Term: **14 Years**

(21) Appl. No.: **29/459,219**

(74) *Attorney, Agent, or Firm* — Bacon & Thomas, PLLC

(22) Filed: **Jun. 27, 2013**

(30) **Foreign Application Priority Data**

Dec. 27, 2012 (CN) 2012 3 0655430

(51) **LOC (10) CL.** **08-08**

(52) **U.S. Cl.**
USPC **D8/384**

(58) **Field of Classification Search**
USPC D8/384–386, 367, 370, 354, 349;
52/677, 682, 684, 686, 712; 248/302,
248/249

See application file for complete search history.

(56) **References Cited**

U.S. PATENT DOCUMENTS

D375,892 S * 11/1996 Kraemer, Jr. D8/384
D393,588 S * 4/1998 Tuthill D8/384

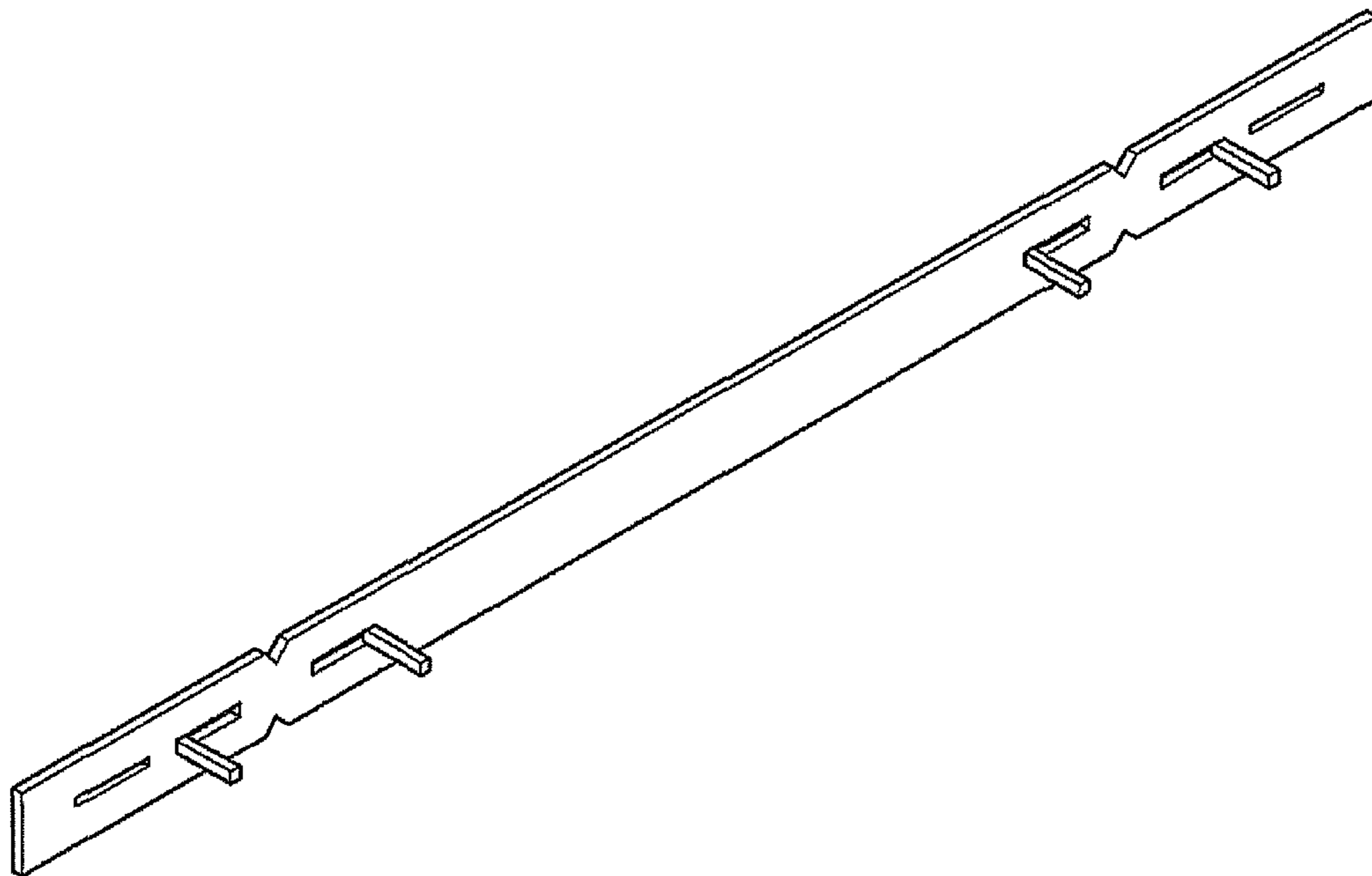
(57) **CLAIM**

The ornamental design for a flat tie for formwork panel assembly, as shown and described.

DESCRIPTION

FIG. 1 is a perspective view of a flat tie for formwork panel assembly showing my new design;
FIG. 2 is a front elevational view thereof;
FIG. 3 is a rear elevational view thereof,
FIG. 4 is an enlarged left side elevational view thereof,
FIG. 5 is an enlarged right side elevational view thereof,
FIG. 6 is a top plan view thereof; and,
FIG. 7 is a bottom plan view thereof.

1 Claim, 7 Drawing Sheets



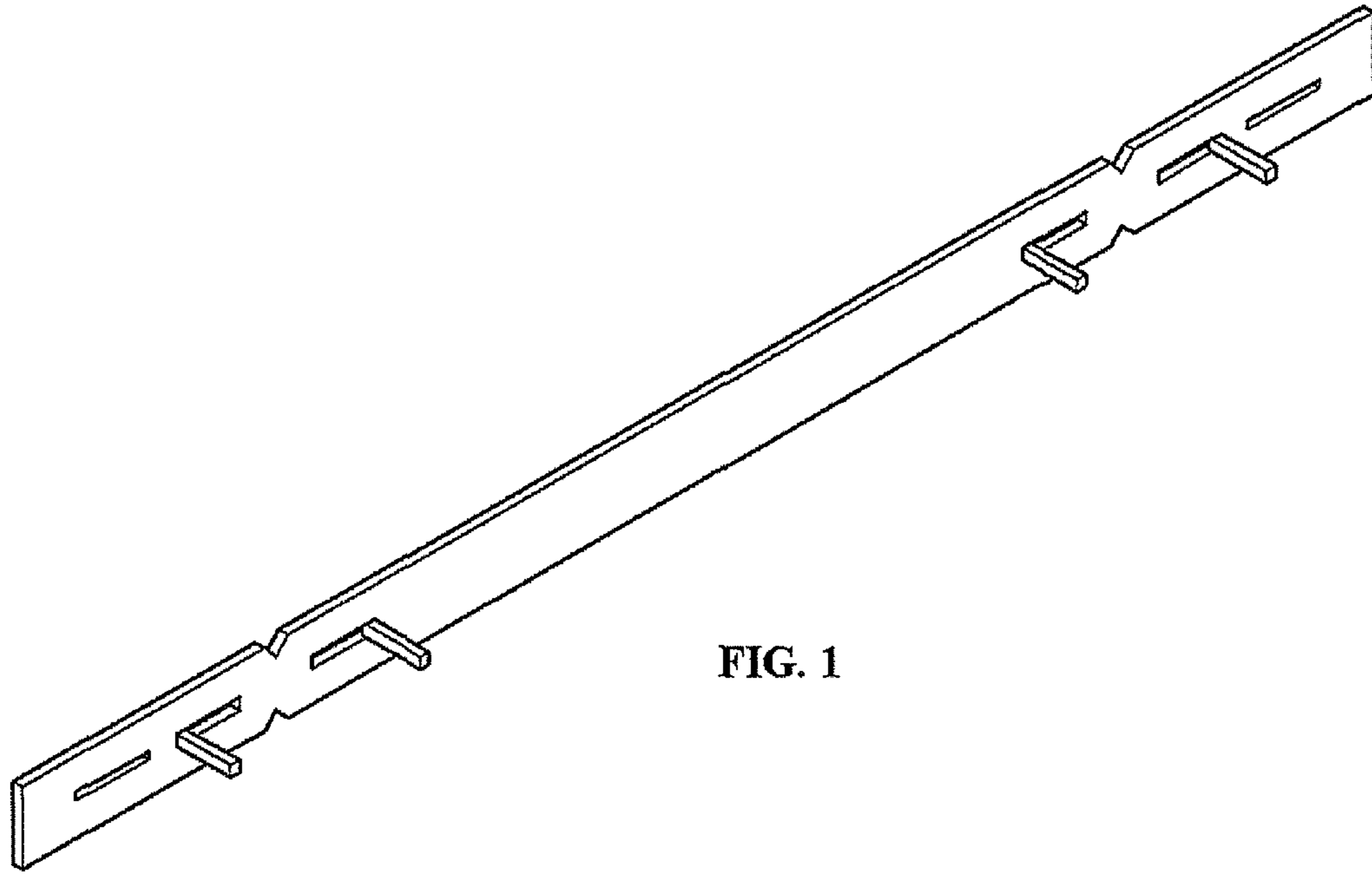


FIG. 1



FIG. 2



FIG. 3

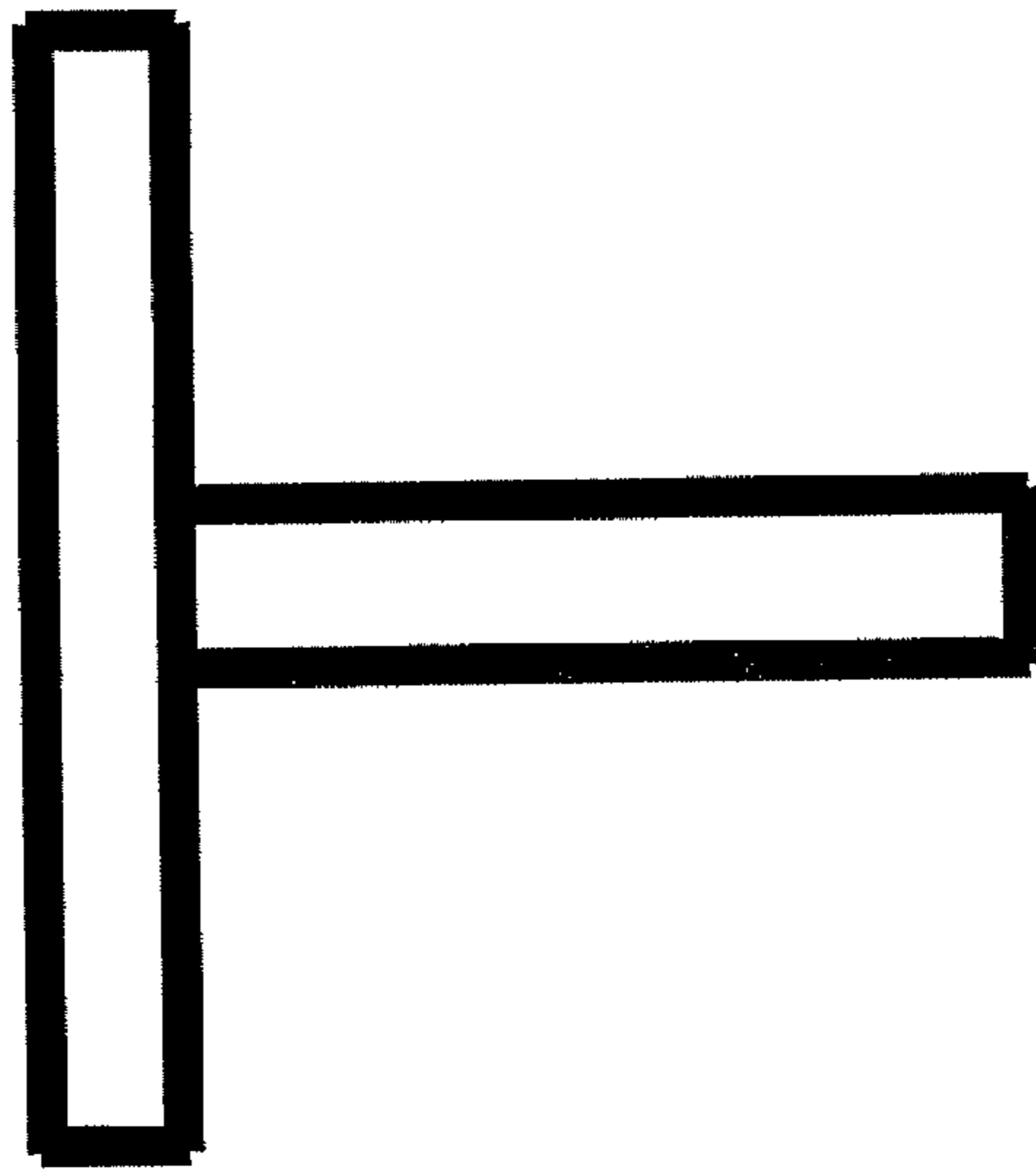


FIG. 4

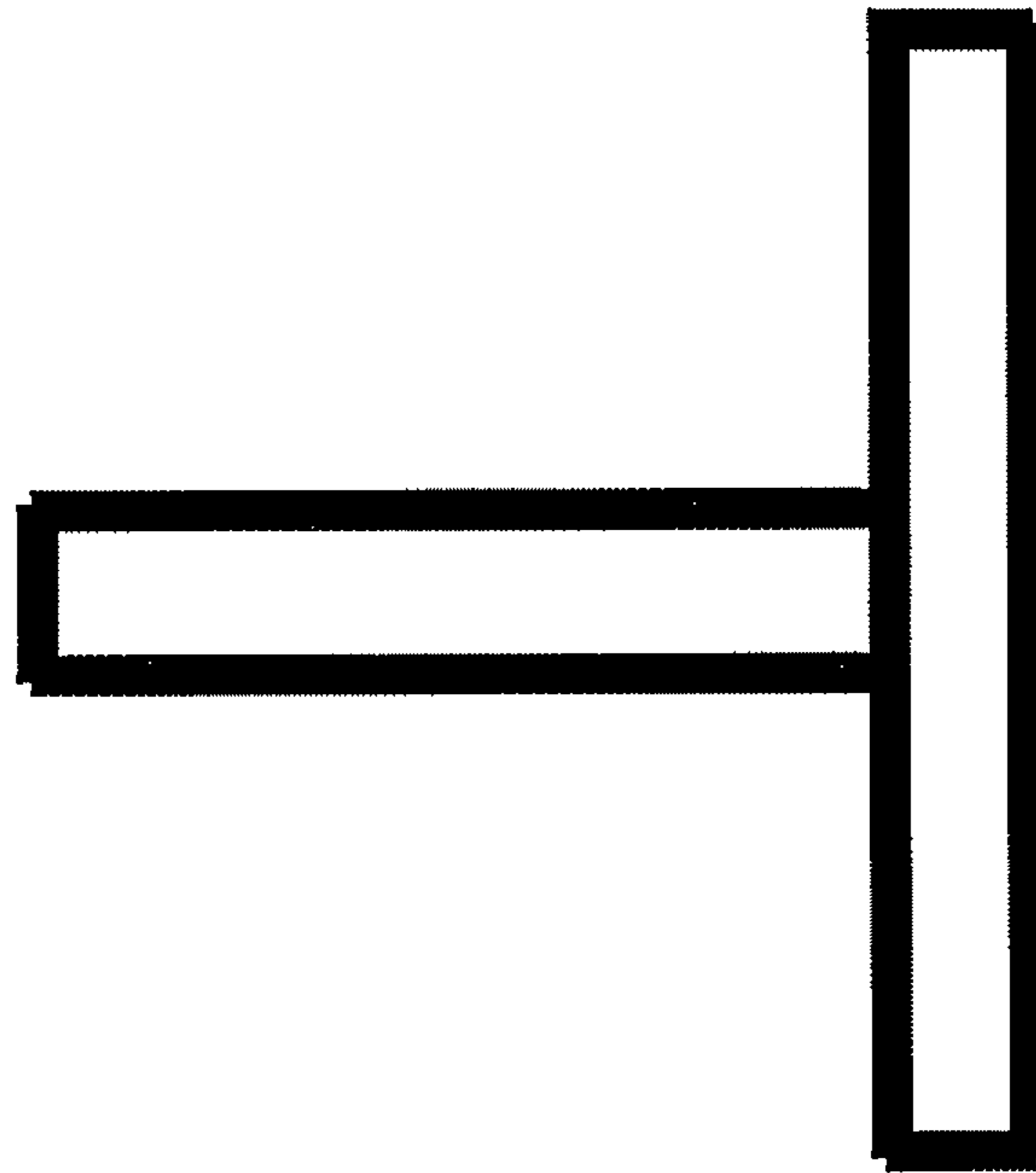


FIG. 5

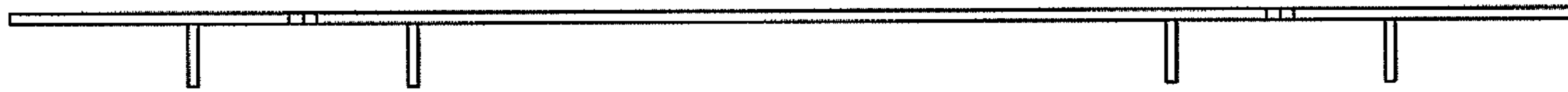


FIG. 6



FIG. 7