



US00D711726S

(12) **United States Design Patent**
Ann

(10) **Patent No.:** **US D711,726 S**

(45) **Date of Patent:** **** Aug. 26, 2014**

(54) **BRACKET FOR WALL HANGING A DISPLAY DEVICE**

(75) Inventor: **Sung-Jin Ann**, Seoul (KR)

(73) Assignee: **Samsung Electronics Co., Ltd.**,
Suwon-si, Gyeonggi-do (KR)

(**) Term: **14 Years**

(21) Appl. No.: **29/428,707**

(22) Filed: **Aug. 2, 2012**

(30) **Foreign Application Priority Data**

Feb. 15, 2012 (KR) 30-2012-0006798

(51) **LOC (10) Cl.** **08-05**

(52) **U.S. Cl.**
USPC **D8/380**

(58) **Field of Classification Search**
USPC D8/380, 349, 354, 381, 373, 367, 355,
D8/363, 382, 374, 339; 119/705; 52/4,
52/79.2, 93.1, 260, 649.1, 649.2, 296;
D6/702; D23/259; 482/16; D12/160;
D25/133

See application file for complete search history.

(56) **References Cited**

U.S. PATENT DOCUMENTS

D26,770 S * 3/1897 Webber D8/380
D252,669 S * 8/1979 Muttart D8/380
D315,093 S * 3/1991 Hanna D8/380
D331,186 S * 11/1992 Sachs D8/380
D333,085 S * 2/1993 Thomsen D8/373
D542,628 S * 5/2007 Brassard D8/354

D557,594 S * 12/2007 Whipple D8/373
D605,026 S * 12/2009 Lin et al. D8/354
D633,779 S * 3/2011 Bennett et al. D8/354
D678,753 S * 3/2013 Ann D8/354
D686,486 S * 7/2013 Densmore et al. D8/349
2013/0168519 A1* 7/2013 In et al. 248/314

OTHER PUBLICATIONS

U.S. Appl. No. 29/415,108, Applicant: Sung-Jin Ann, filed Mar. 7, 2012 entitled Bracket for Wall Hanging a Display Device.

* cited by examiner

Primary Examiner — Robert M Spear

Assistant Examiner — Eliza Bennett-Hattan

(74) *Attorney, Agent, or Firm* — Flynn, Thiel, Boutell & Tanis, P.C.

(57) **CLAIM**

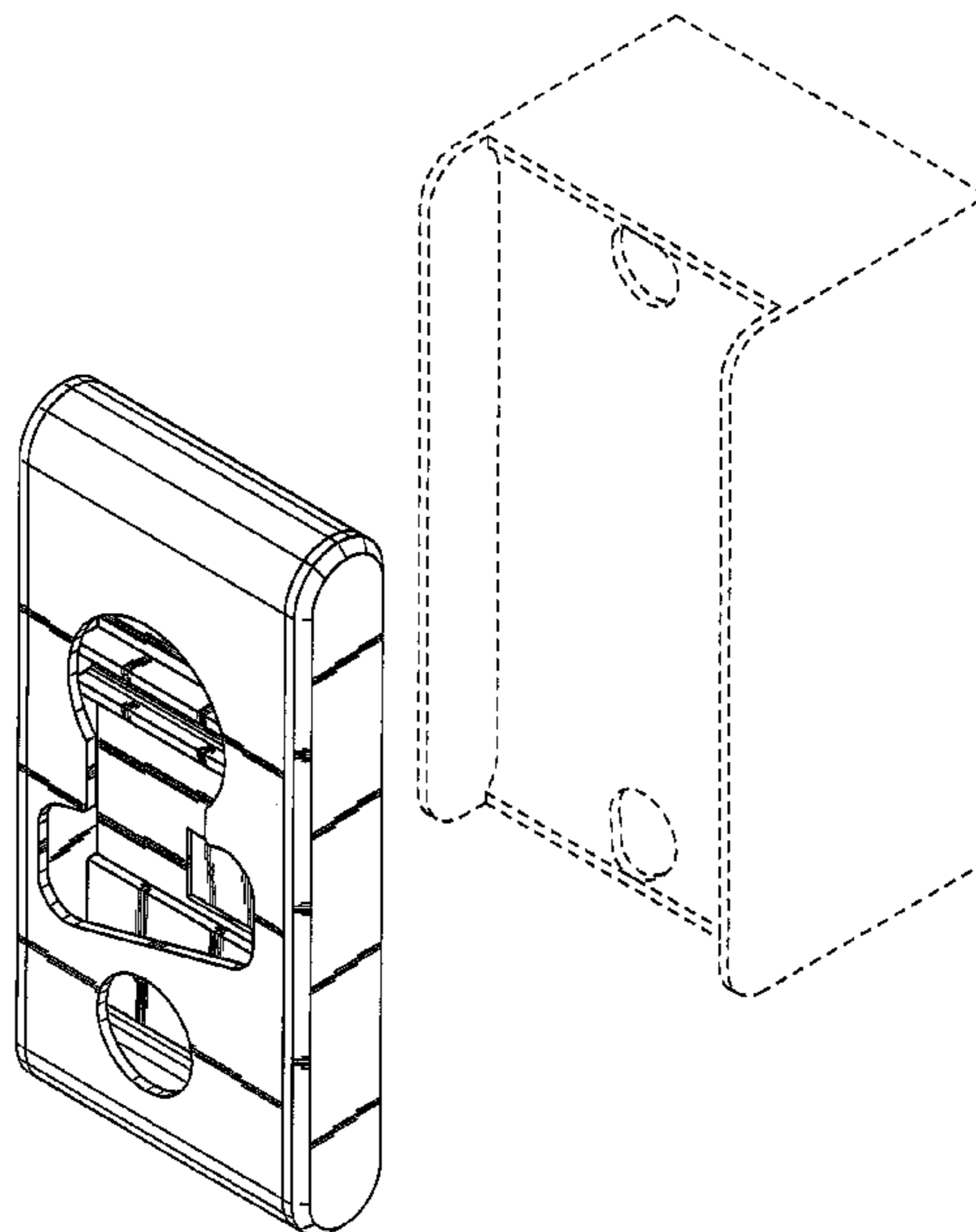
The ornamental design for a bracket for wall hanging a display device, as shown and described.

DESCRIPTION

FIG. 1 is a top front perspective view of a bracket for wall hanging a display device showing my new design;
FIG. 2 is a front elevational view thereof;
FIG. 3 is a rear elevational view thereof;
FIG. 4 is a left side elevational view thereof;
FIG. 5 is a right side elevational view thereof;
FIG. 6 is a top plan view thereof;
FIG. 7 is a bottom plan view thereof; and,
FIG. 8 is a perspective reference view of a separate gap adjustment bracket attached to the present bracket.

The broken lines illustrating portions of the bracket for wall hanging a display device are for environmental purposes only and form no part of the claimed design.

1 Claim, 4 Drawing Sheets



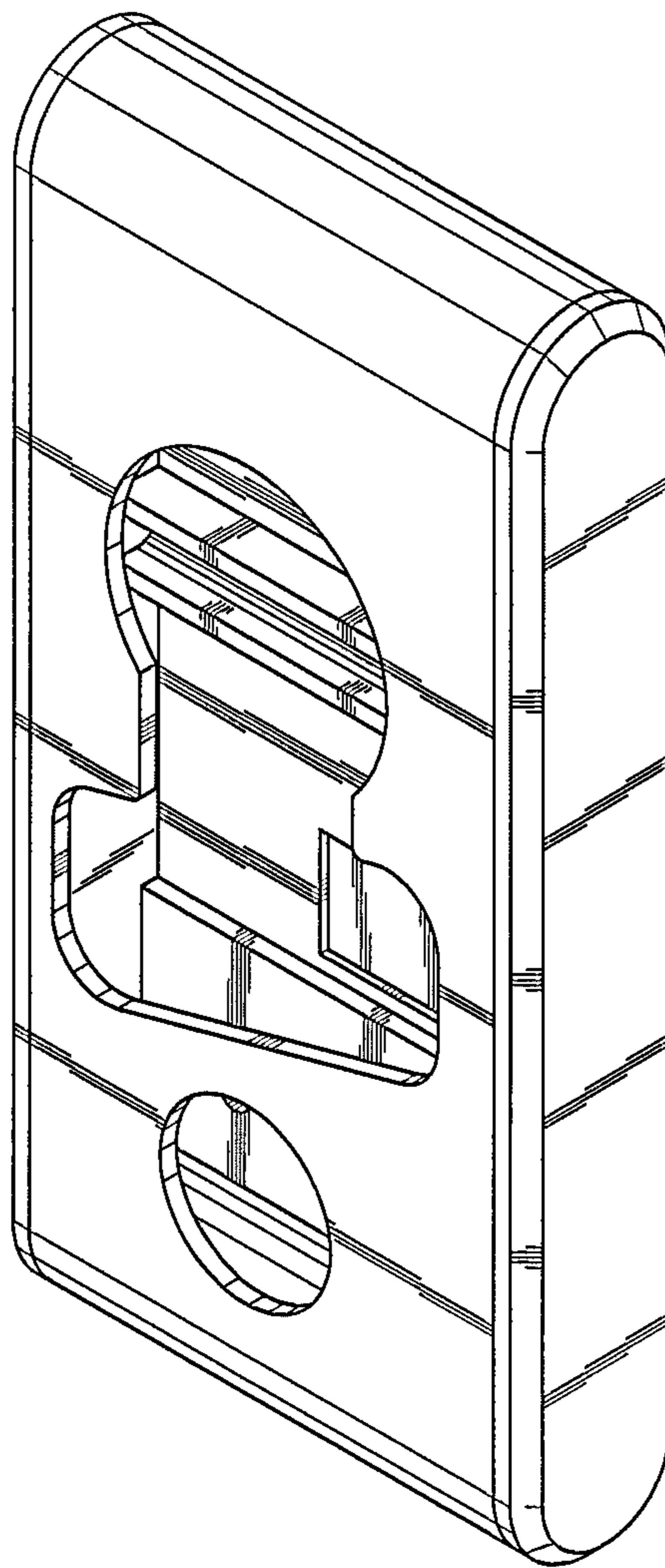


FIG. 1

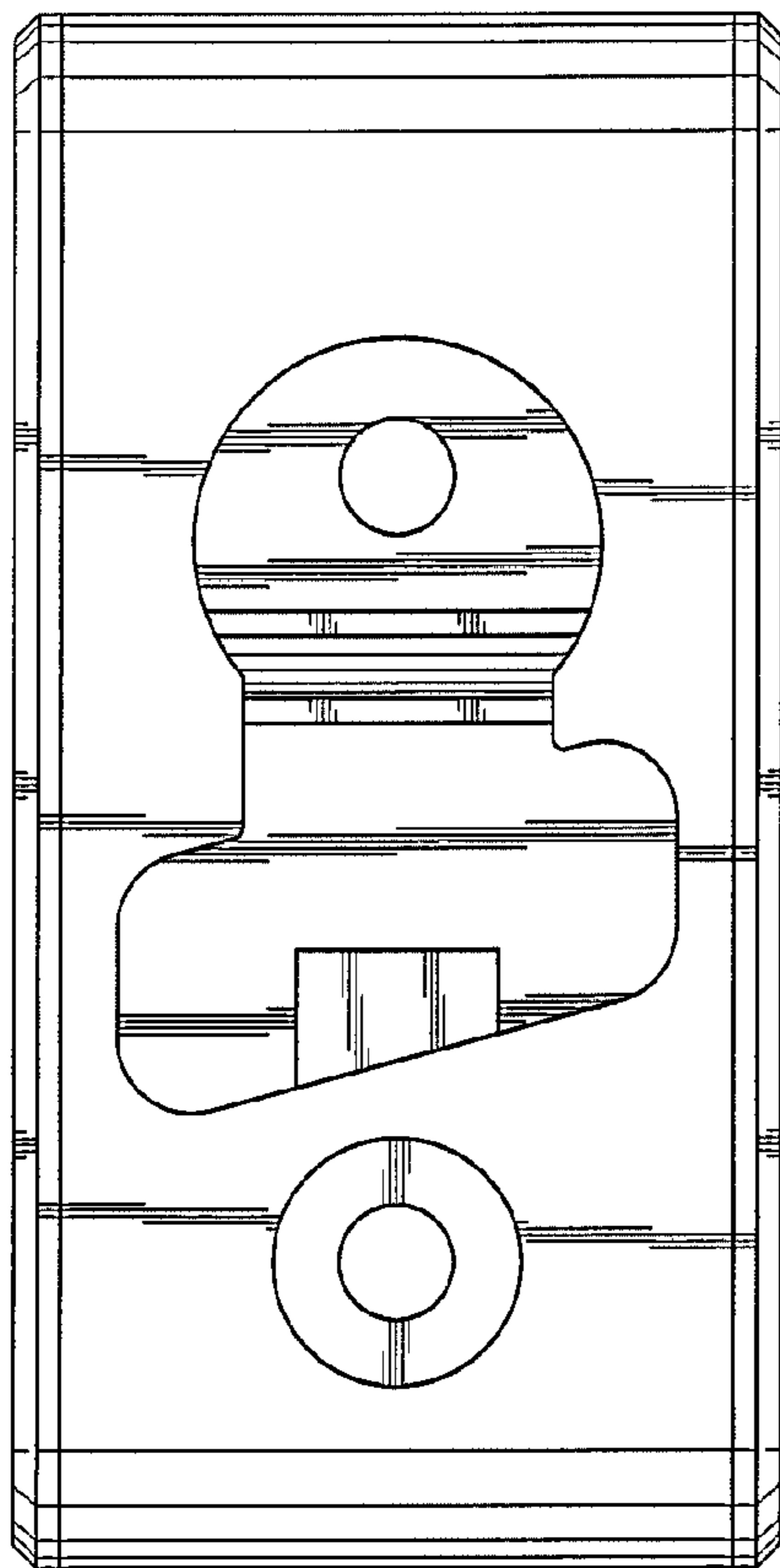


FIG. 2

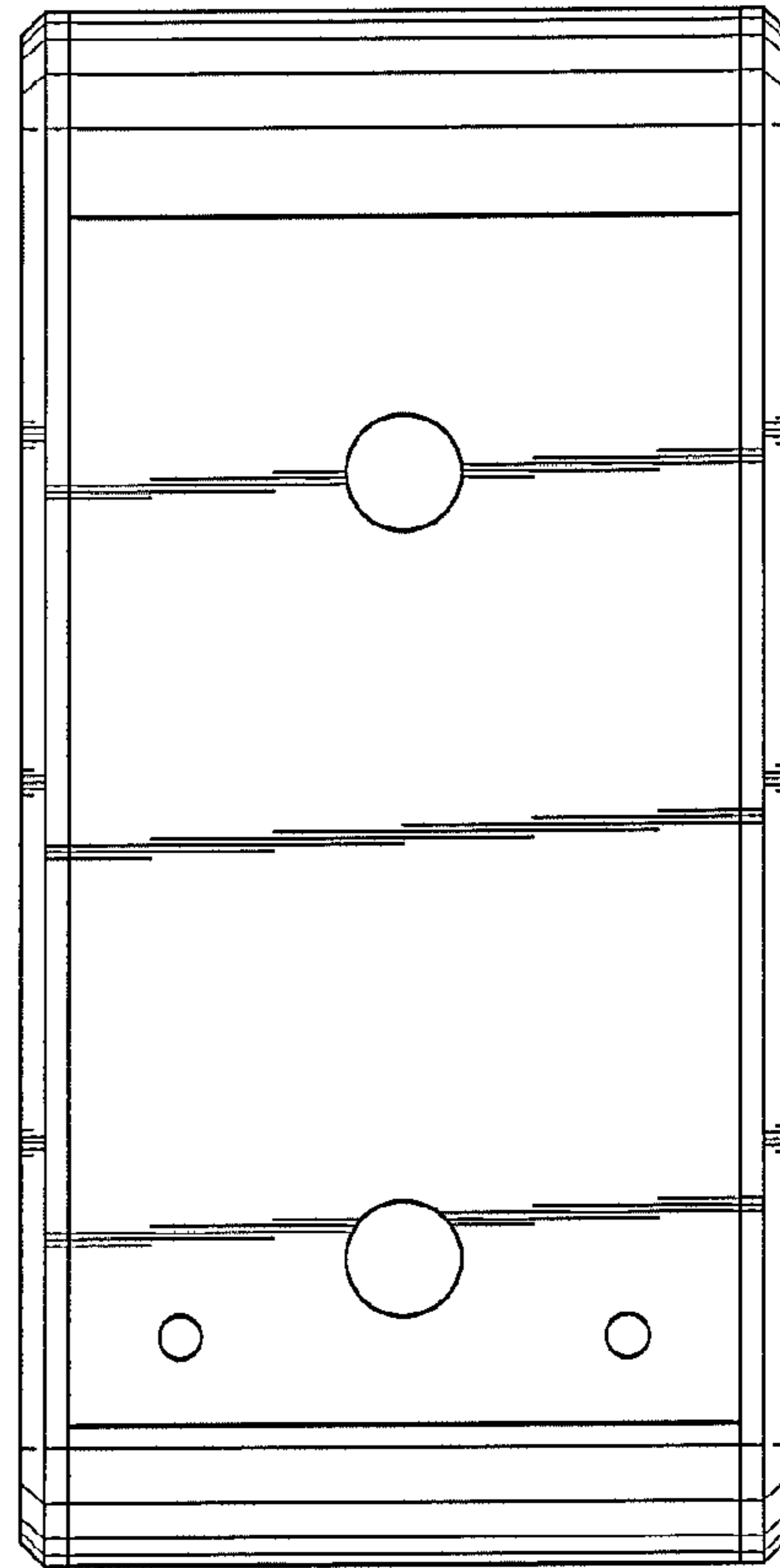


FIG. 3

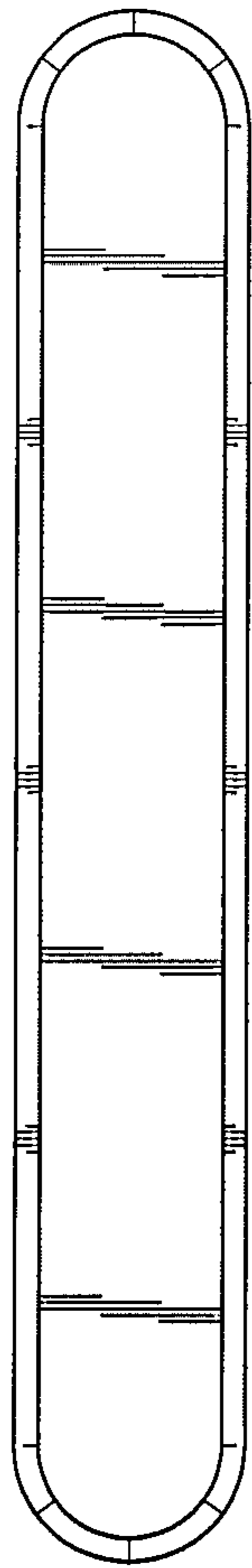


FIG. 4

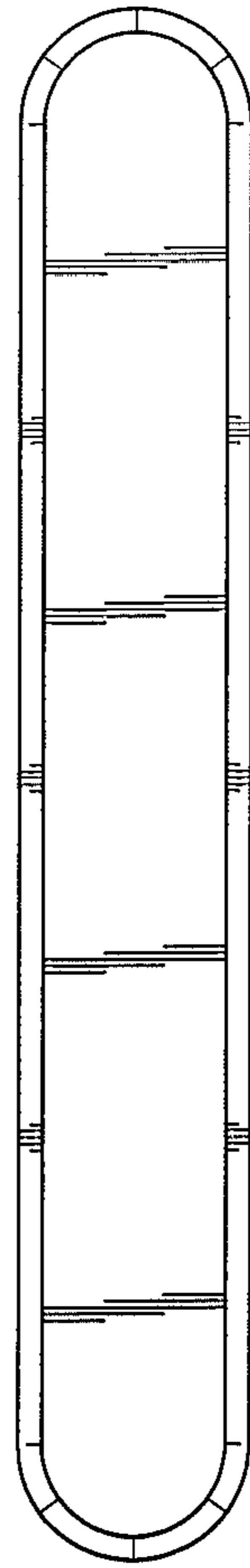


FIG. 5

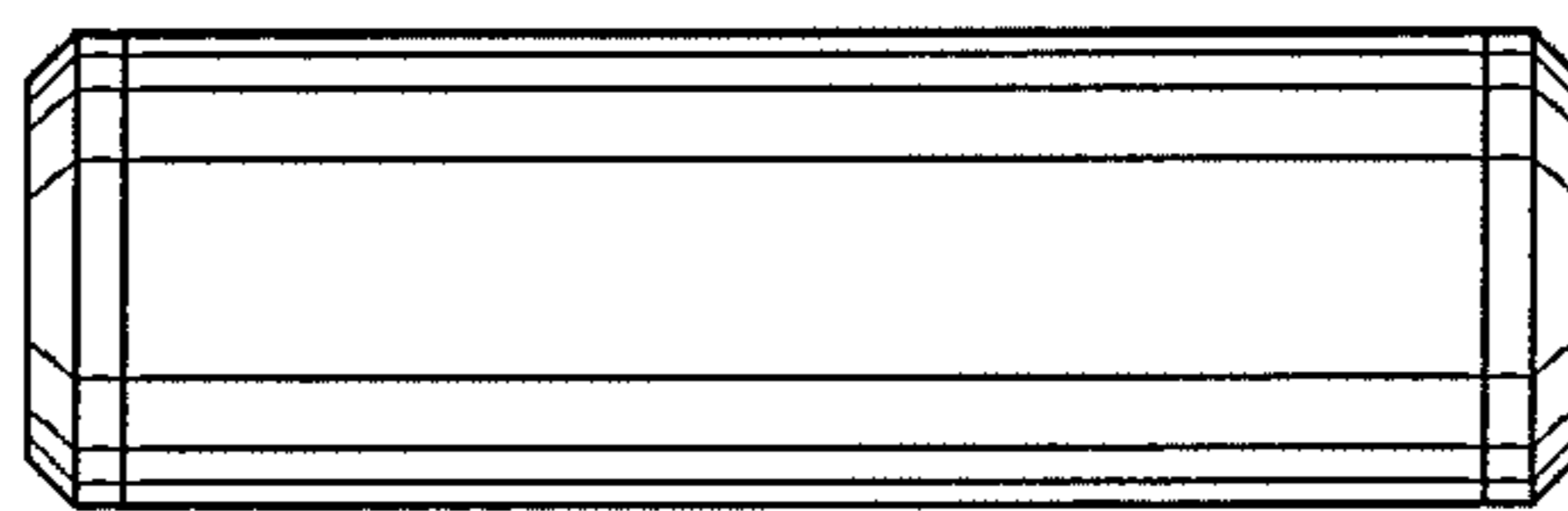


FIG. 6

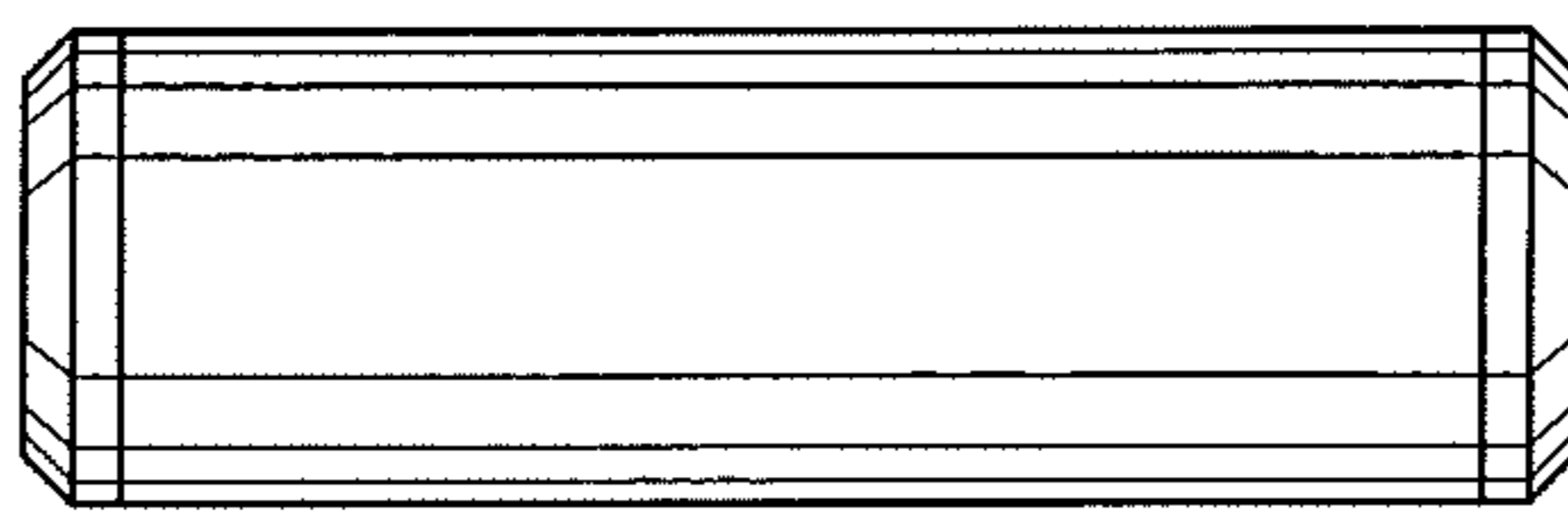


FIG. 7

