

US00D711724S

(12) **United States Design Patent**
Newchurch

(10) **Patent No.:** **US D711,724 S**

(45) **Date of Patent:** **** Aug. 26, 2014**

(54) **LOCKBOX COVER**

(71) Applicant: **Emile Newchurch**, Bryan, TX (US)

(72) Inventor: **Emile Newchurch**, Bryan, TX (US)

(**) Term: **14 Years**

(21) Appl. No.: **29/460,302**

(22) Filed: **Jul. 9, 2013**

(51) **LOC (10) Cl.** **08-07**

(52) **U.S. Cl.**
USPC **D8/346**

(58) **Field of Classification Search**

CPC E05B 67/38; E05B 17/002; E05B 67/04
USPC D8/330, 331, 343, 346, 398, 394, 449;
70/57, 57.1, 51-56, 416, 485, 486,
70/445, 419, 431, 422, 158, DIG. 43,
70/DIG. 56, 160, 164, 167
See application file for complete search history.

(56) **References Cited**

U.S. PATENT DOCUMENTS

1,662,612	A *	3/1928	Junkunc	70/55
4,576,022	A *	3/1986	Gamble	70/55
4,905,486	A *	3/1990	Appelbaum	70/54
5,638,707	A	6/1997	Gould	
D436,016	S *	1/2001	Gould	D8/346
6,439,008	B1 *	8/2002	Keil	70/56
D470,746	S *	2/2003	Gast	D8/346
6,526,786	B1	3/2003	Kayoda	
6,578,393	B2 *	6/2003	Yarborough	70/56
D499,328	S *	12/2004	Spoon	D8/346
D527,614	S *	9/2006	St. James	D8/346
D569,226	S *	5/2008	Brewster et al.	D8/346

8,141,396	B1 *	3/2012	Yang	70/56
D667,287	S *	9/2012	Yang	D8/346
8,347,662	B2 *	1/2013	Kaminsky, Jr.	70/56

* cited by examiner

Primary Examiner — Prabhakar Deshmukh

(74) *Attorney, Agent, or Firm* — QuickPatents; Kevin Prince

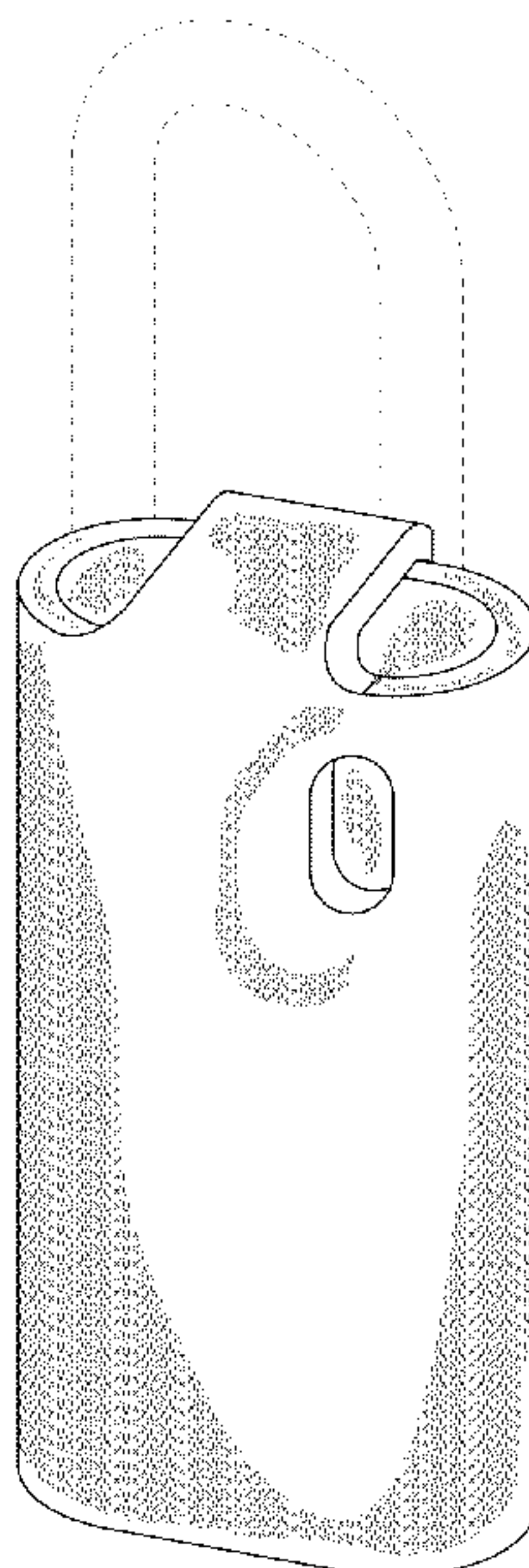
(57) **CLAIM**

I claim the ornamental design for a lockbox cover, as shown and described.

DESCRIPTION

FIG. 1 is a perspective view of a lockbox cover, showing a first embodiment of my new design in a deployed configuration; FIG. 2 is a front elevational view of FIG. 1; FIG. 3 is a left-side elevational view of FIG. 1; FIG. 4 is a rear elevational view of FIG. 1; FIG. 5 is a right-side elevational view of FIG. 1; FIG. 6 is a top plan view of FIG. 1; FIG. 7 is a bottom plan view of FIG. 1; FIG. 8 is a perspective view of the first embodiment, illustrated in a flat configuration; FIG. 9 is a right-side elevational view of a second embodiment thereof in the deployed configuration; FIG. 10 is a bottom plan view of FIG. 9; FIG. 11 is a top plan view of the second embodiment in the flat configuration; and, FIG. 12 is a bottom plan view of FIG. 11. The broken lines showing a lockbox in FIG. 1 depict environmental matter and form no part of the claimed design.

1 Claim, 5 Drawing Sheets



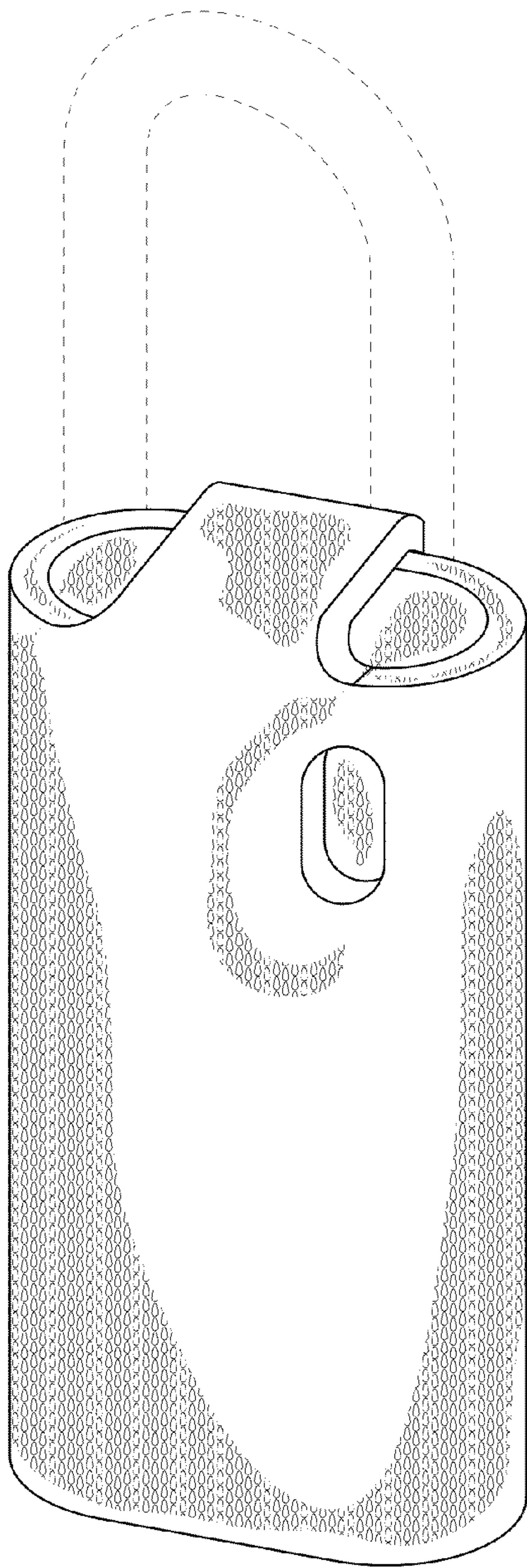


FIG. 1

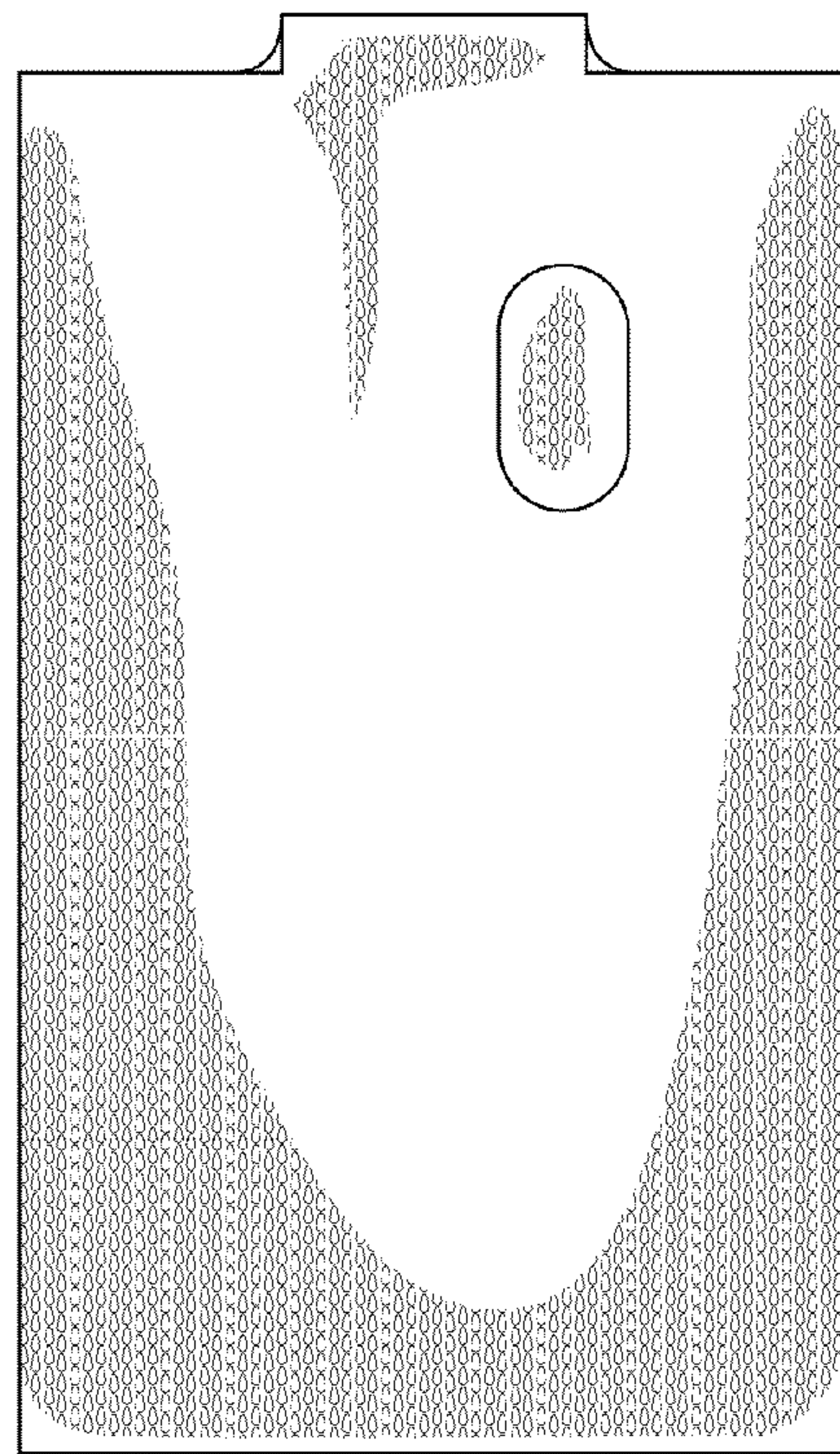


FIG. 2

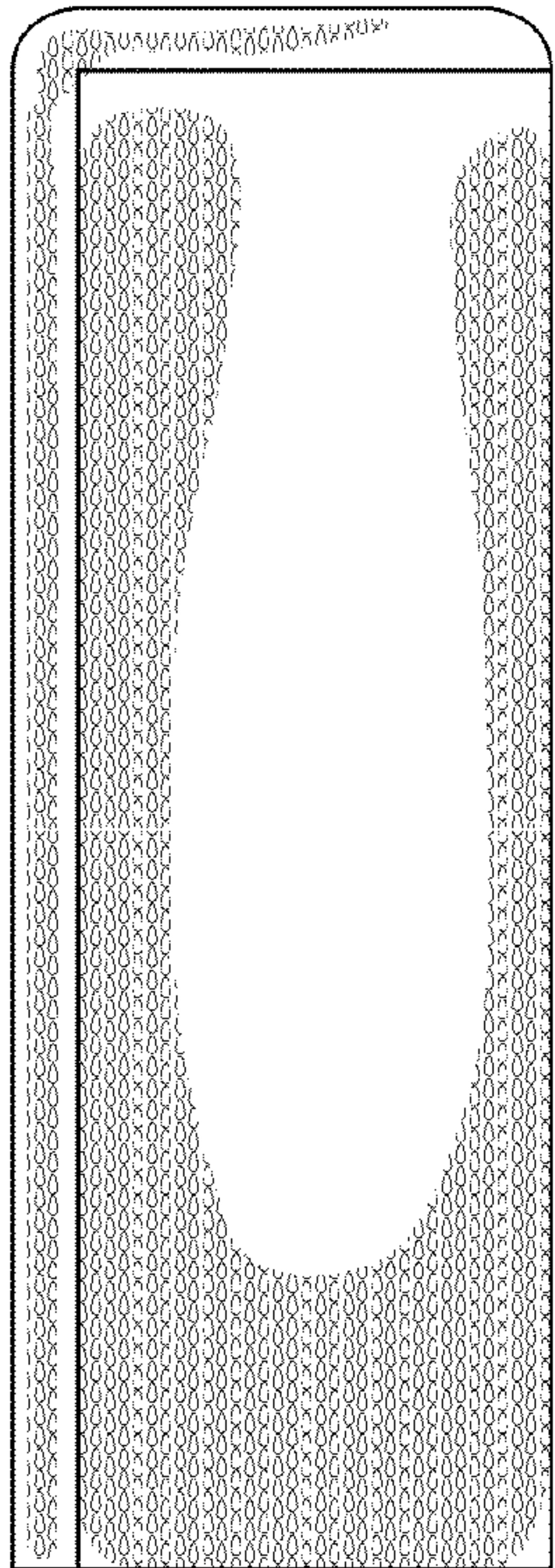


FIG. 3

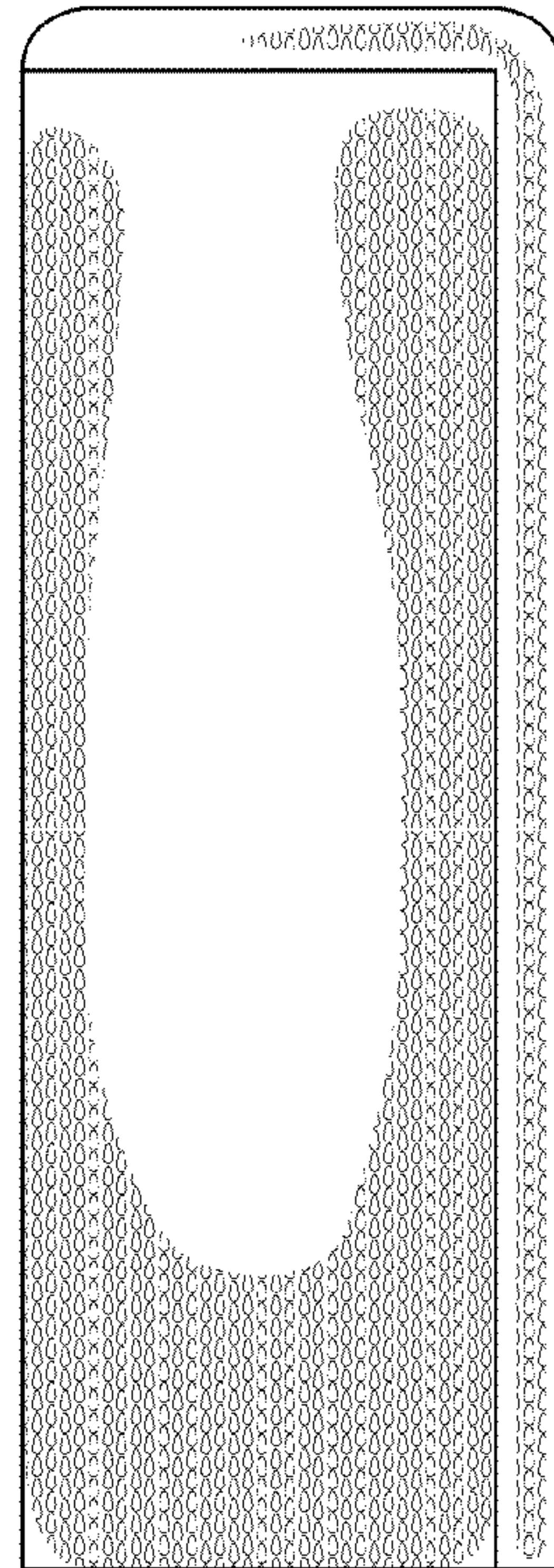


FIG. 5



FIG. 4

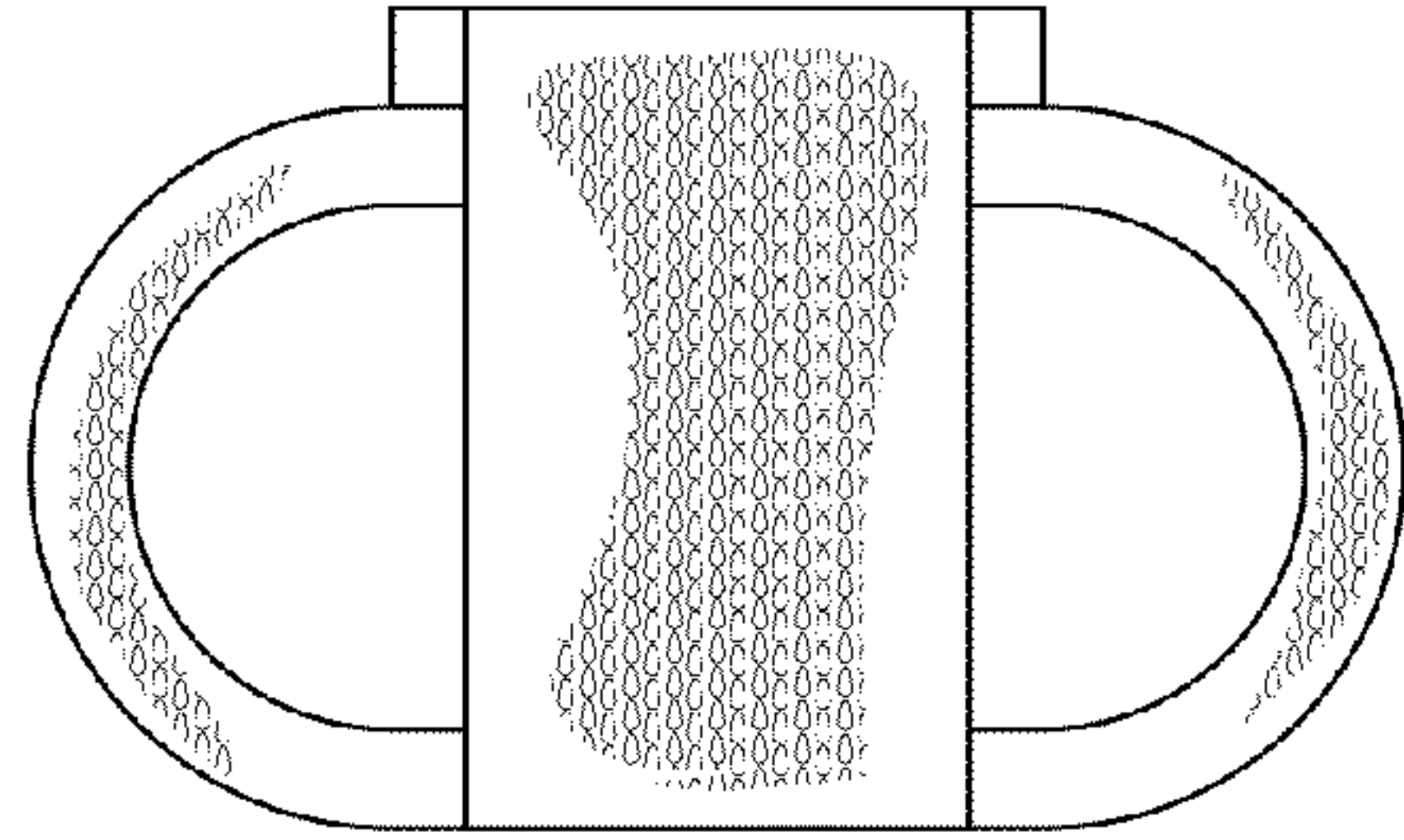


FIG. 6

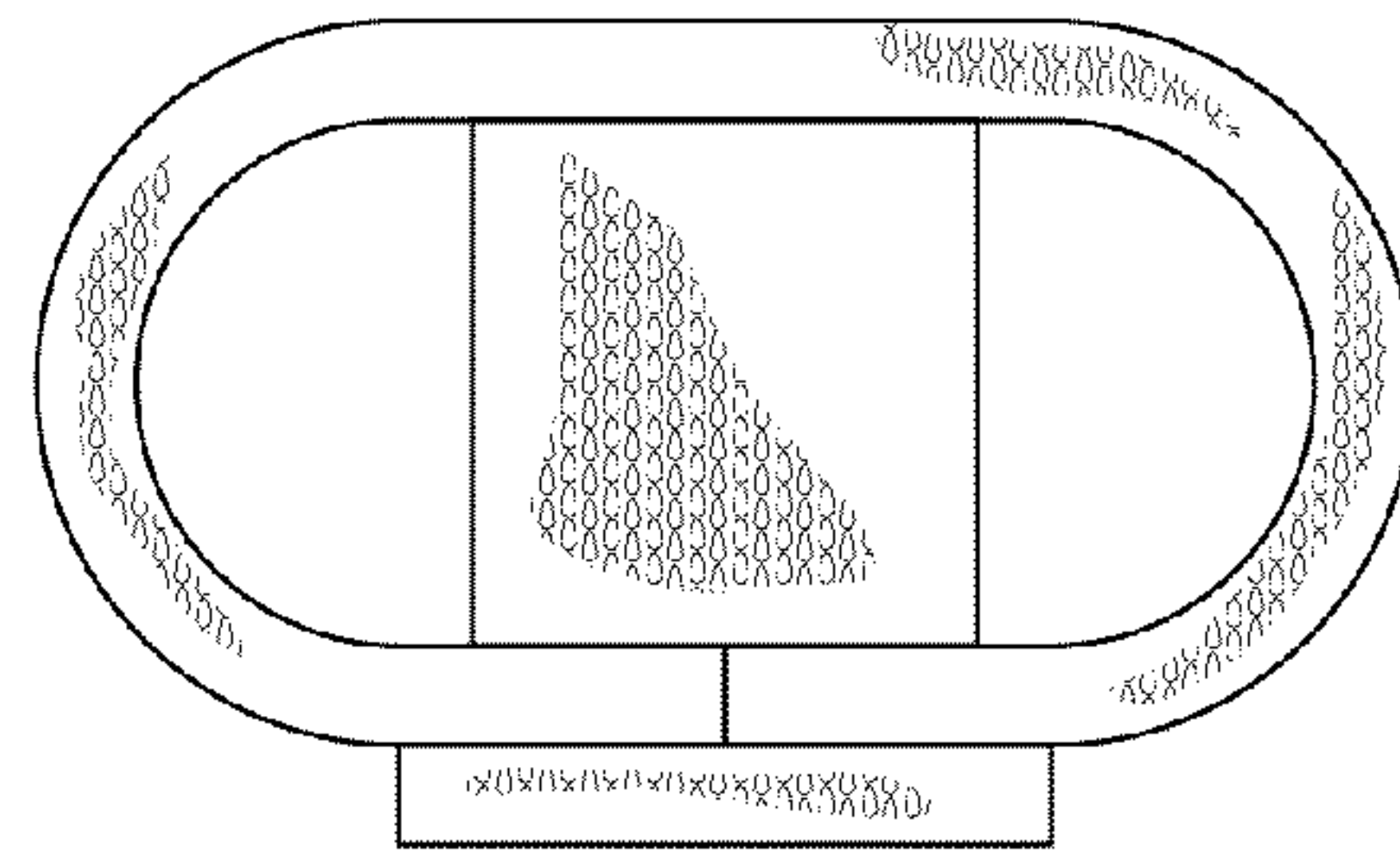


FIG. 7

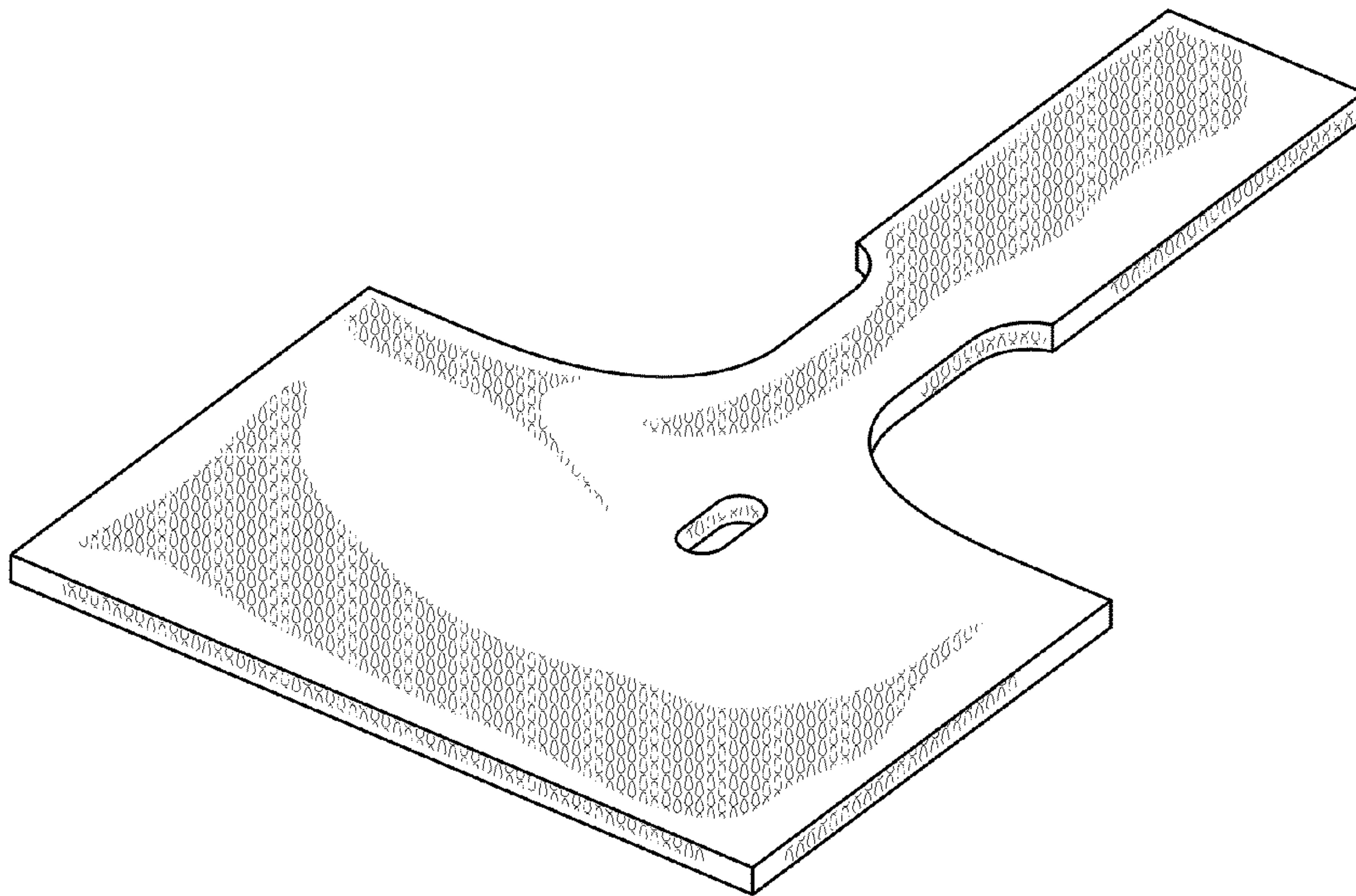


FIG. 8

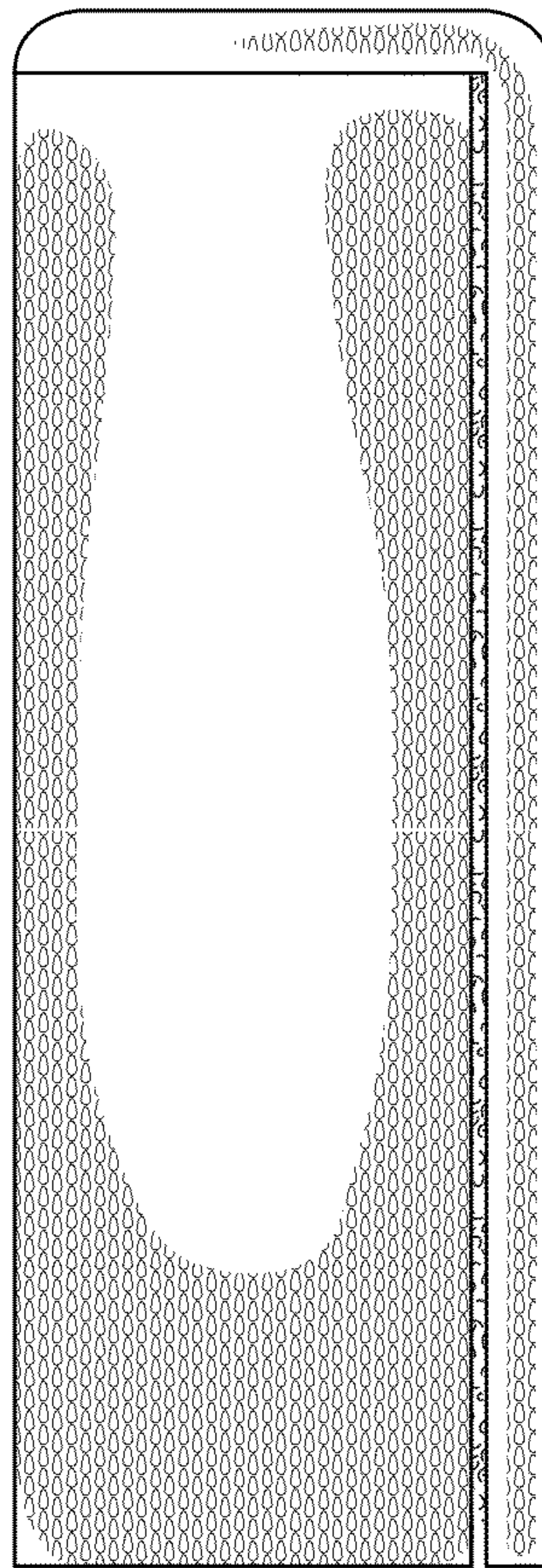


FIG. 9

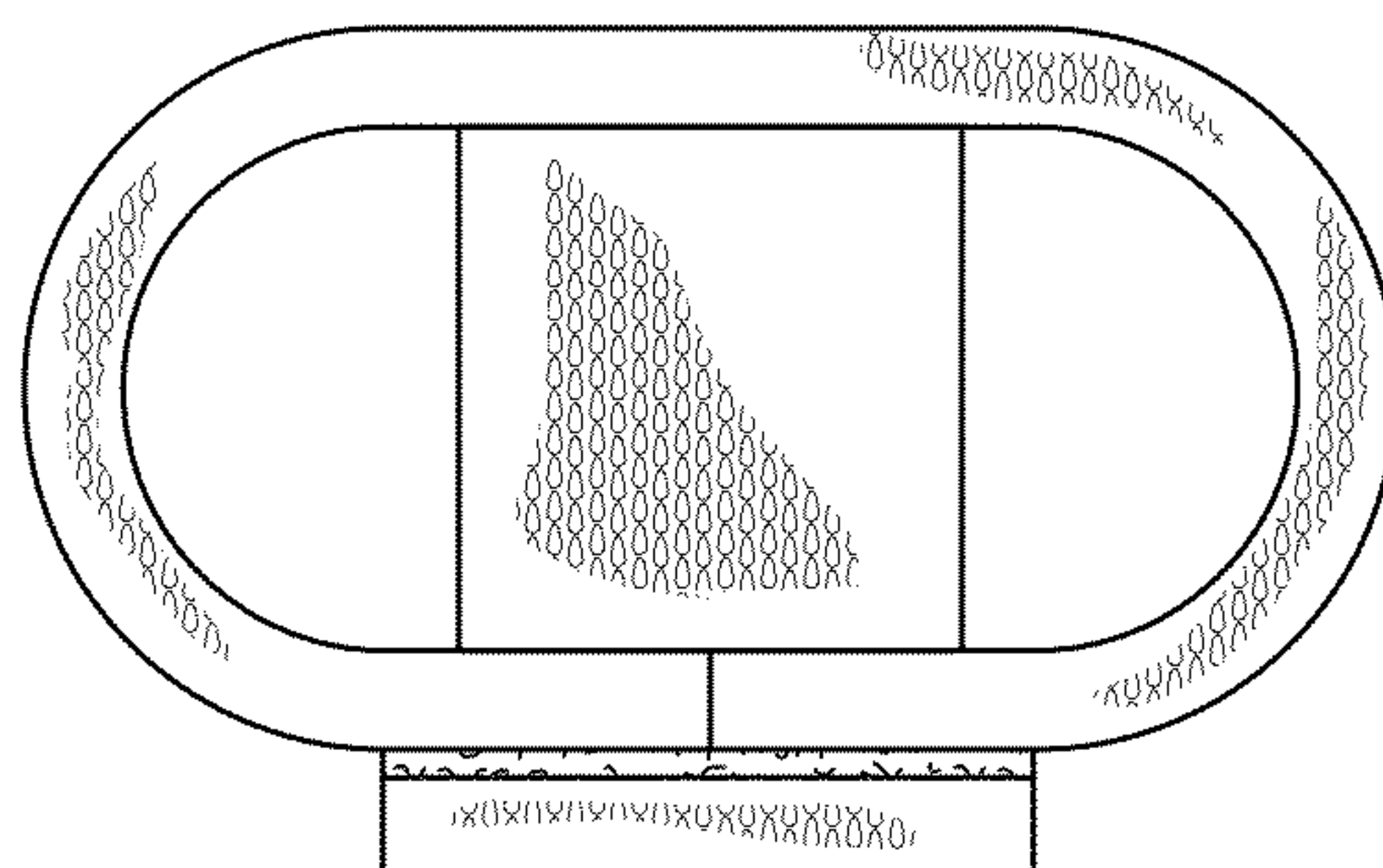


FIG. 10

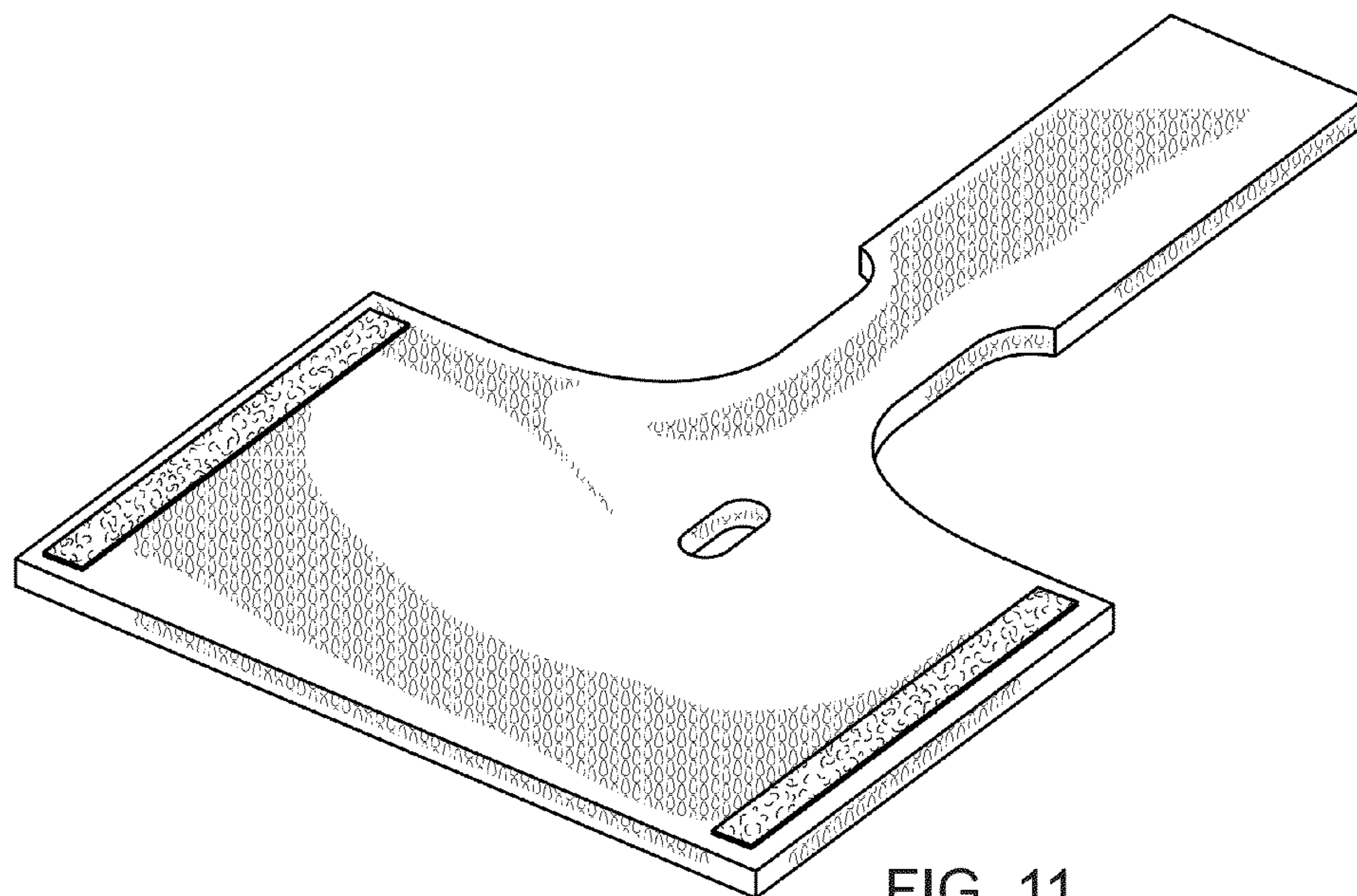


FIG. 11

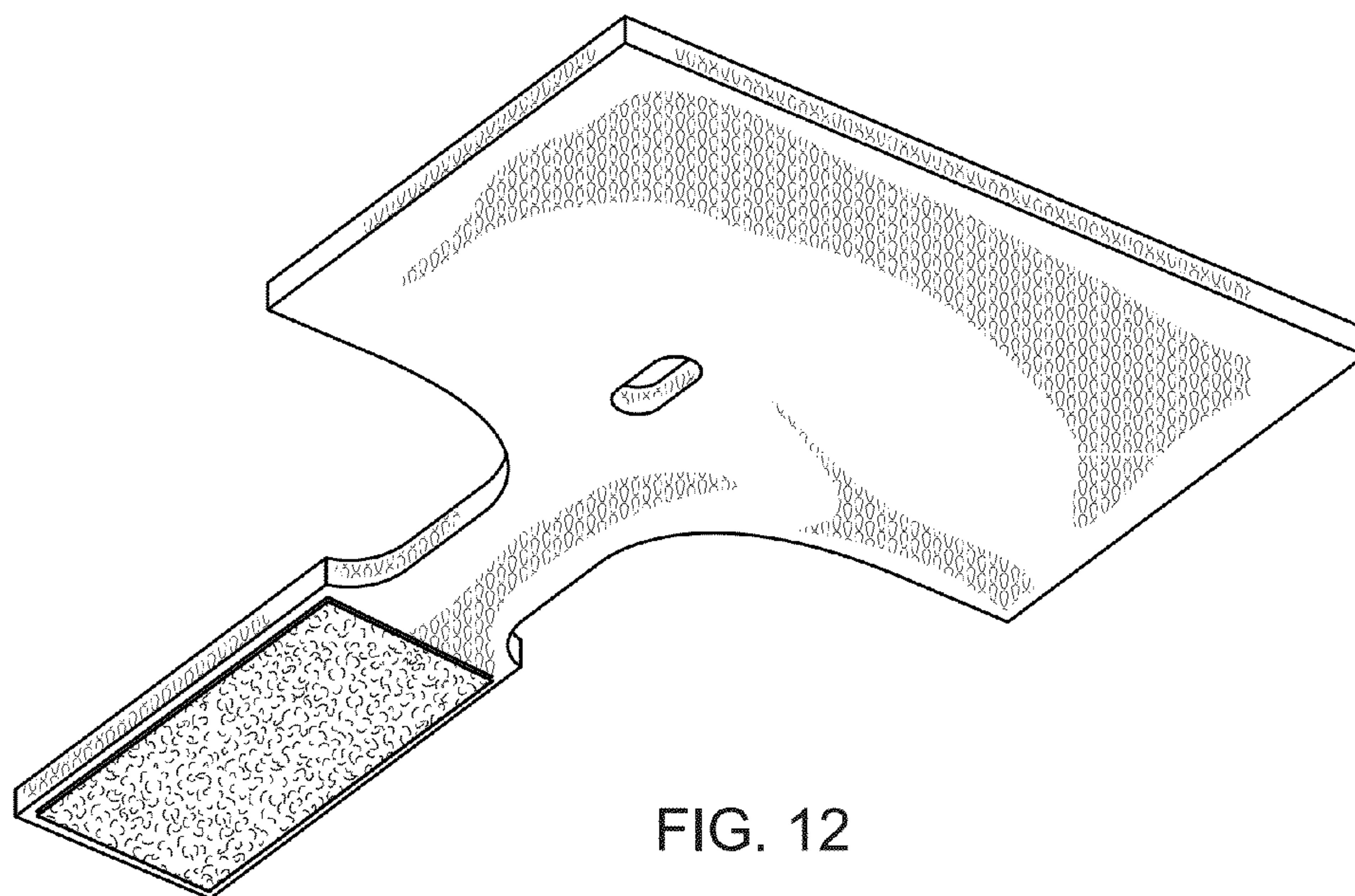


FIG. 12