

US00D711720S

(12) **United States Design Patent**  
**Vanderbeek**

(10) **Patent No.:** **US D711,720 S**

(45) **Date of Patent:** **\*\* Aug. 26, 2014**

(54) **MULTI-TOOL**

(71) Applicant: **Stanley Black & Decker, Inc.**, New Britain, CT (US)

(72) Inventor: **Karl Vanderbeek**, Germantown, OH (US)

(73) Assignee: **Stanley Black & Decker, Inc.**, New Britain, CT (US)

(\*\*) Term: **14 Years**

(21) Appl. No.: **29/451,025**

(22) Filed: **Mar. 27, 2013**

(51) **LOC (10) Cl.** ..... **08-05**

(52) **U.S. Cl.**  
USPC ..... **D8/105**; D8/99

(58) **Field of Classification Search**  
USPC ..... D8/4, 5, 14, 16, 18, 19, 20, 22-29, 33, D8/34, 38-43, 51, 52, 55, 57, 75, 81-87, D8/98, 99, 104-107, 354, 356, 358, 360.1; 7/107, 128, 151-166; 30/151, 359, 30/366; D3/24, 25, 207-208, 210, 228; D10/46.2, 62; 362/119; 206/38, 232, 206/234; 81/3.09, 437, 440; D7/368, 665, D7/669

See application file for complete search history.

(56) **References Cited**

U.S. PATENT DOCUMENTS

D435,141	S	*	12/2000	Reynolds	.....	D27/142
D460,908	S	*	7/2002	Sun	.....	D8/99
D464,168	S	*	10/2002	Reynolds et al.	.....	D27/142
D509,419	S	*	9/2005	Chung	.....	D8/99
6,957,491	B2	*	10/2005	Van Deursen et al.	.....	30/142
D606,838	S	*	12/2009	van Deursen	.....	D8/99
D607,707	S	*	1/2010	Huang	.....	D8/99
7,739,799	B2	*	6/2010	Van Deursen	.....	30/142
D675,503	S	*	2/2013	Robinson et al.	.....	D8/99
D675,504	S	*	2/2013	Robinson et al.	.....	D8/99
D675,899	S	*	2/2013	Wu	.....	D8/99
2013/0255002	A1	*	10/2013	Keers et al.	.....	7/118

\* cited by examiner

*Primary Examiner* — Susan Bennett Hattan

*Assistant Examiner* — Janice Hallmark

(74) *Attorney, Agent, or Firm* — Gabriel Haboubi

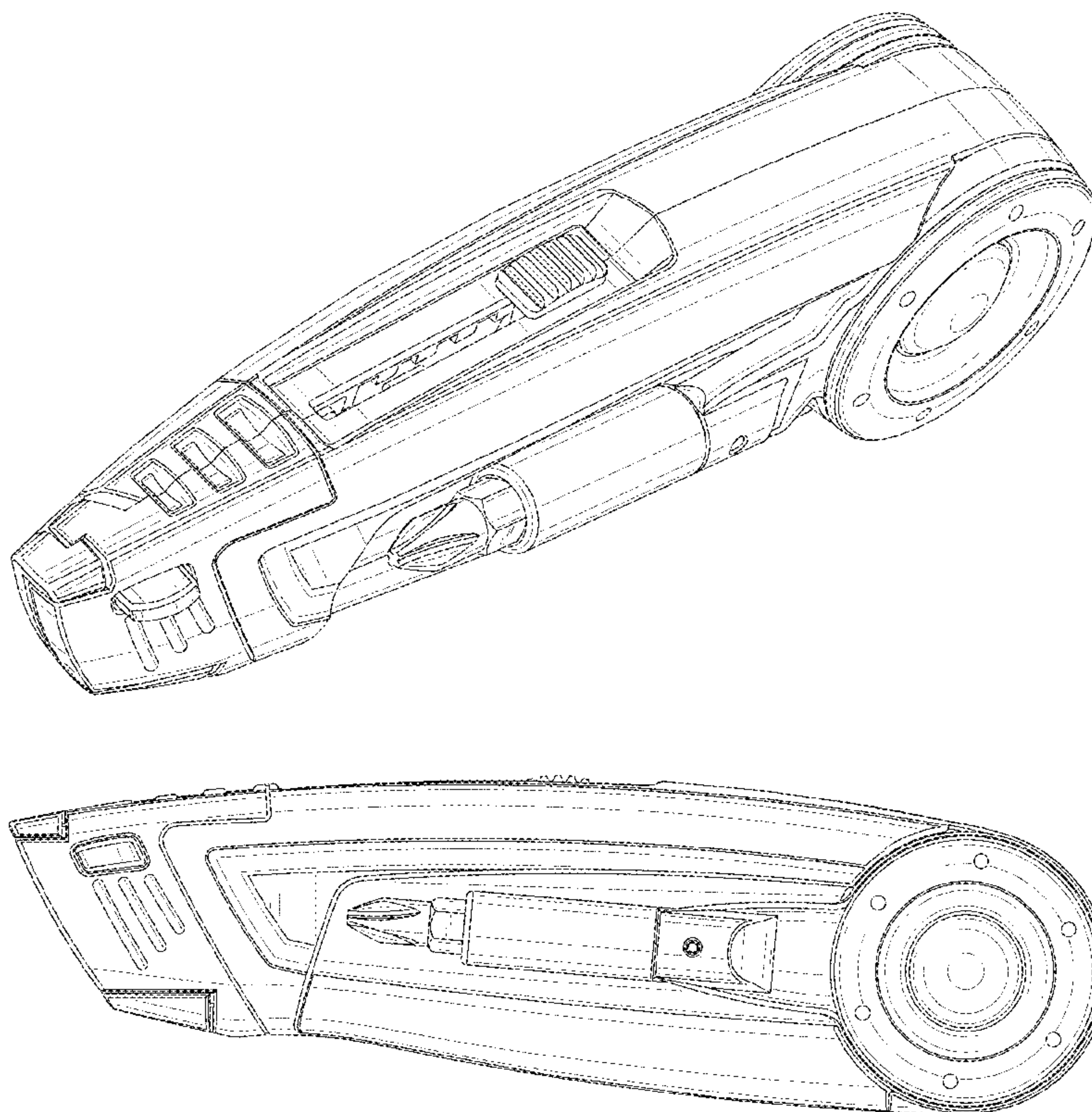
(57) **CLAIM**

The ornamental design for a multi-tool, as shown and described.

**DESCRIPTION**

FIG. 1 is a left/front perspective view of a multi-tool.  
FIG. 2 is a front view thereof.  
FIG. 3 is a rear view thereof.  
FIG. 4 is a right side view thereof.  
FIG. 5 is a left side view thereof.  
FIG. 6 is a top view thereof; and,  
FIG. 7 is a bottom view thereof.

**1 Claim, 5 Drawing Sheets**



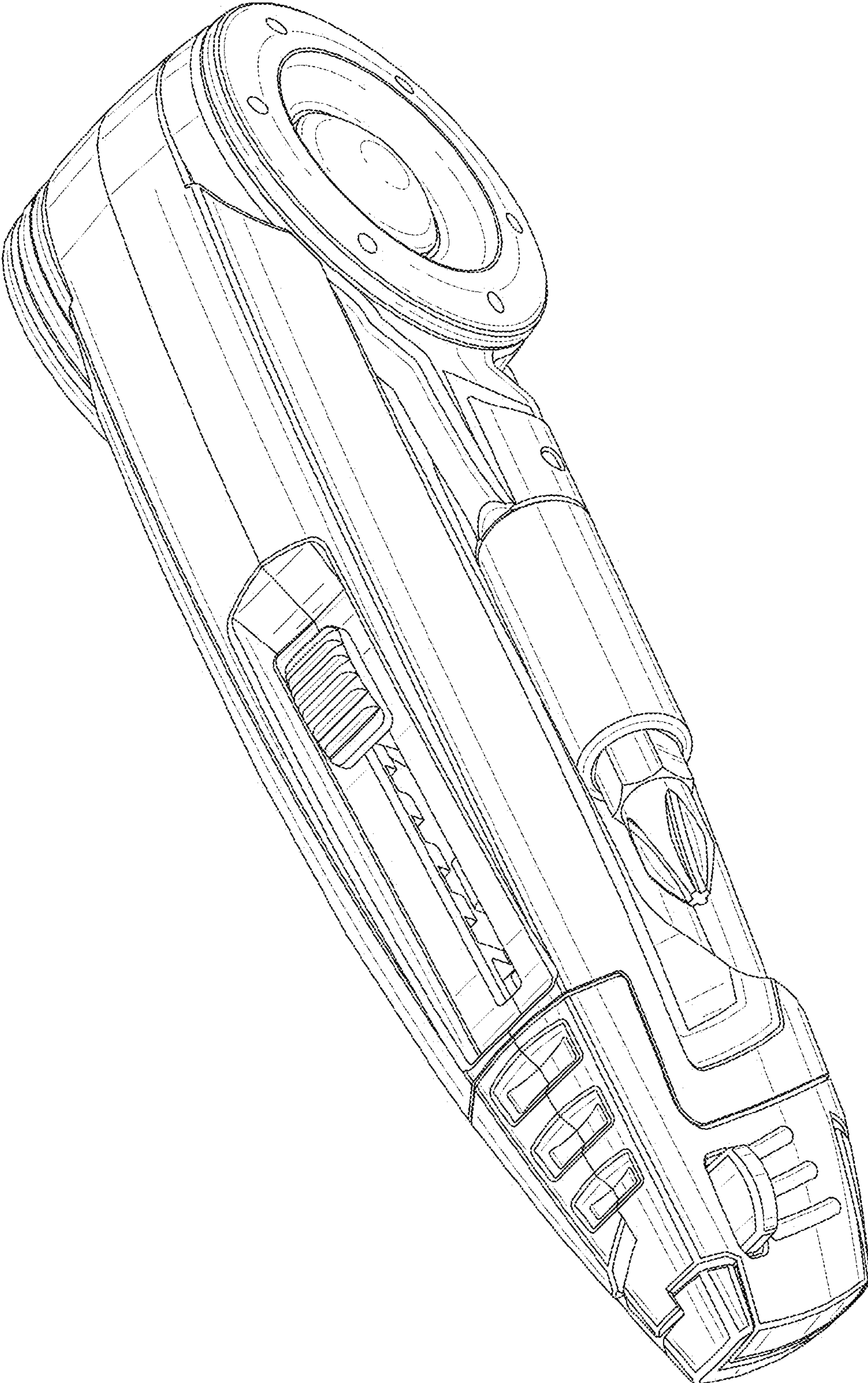


FIG. 1



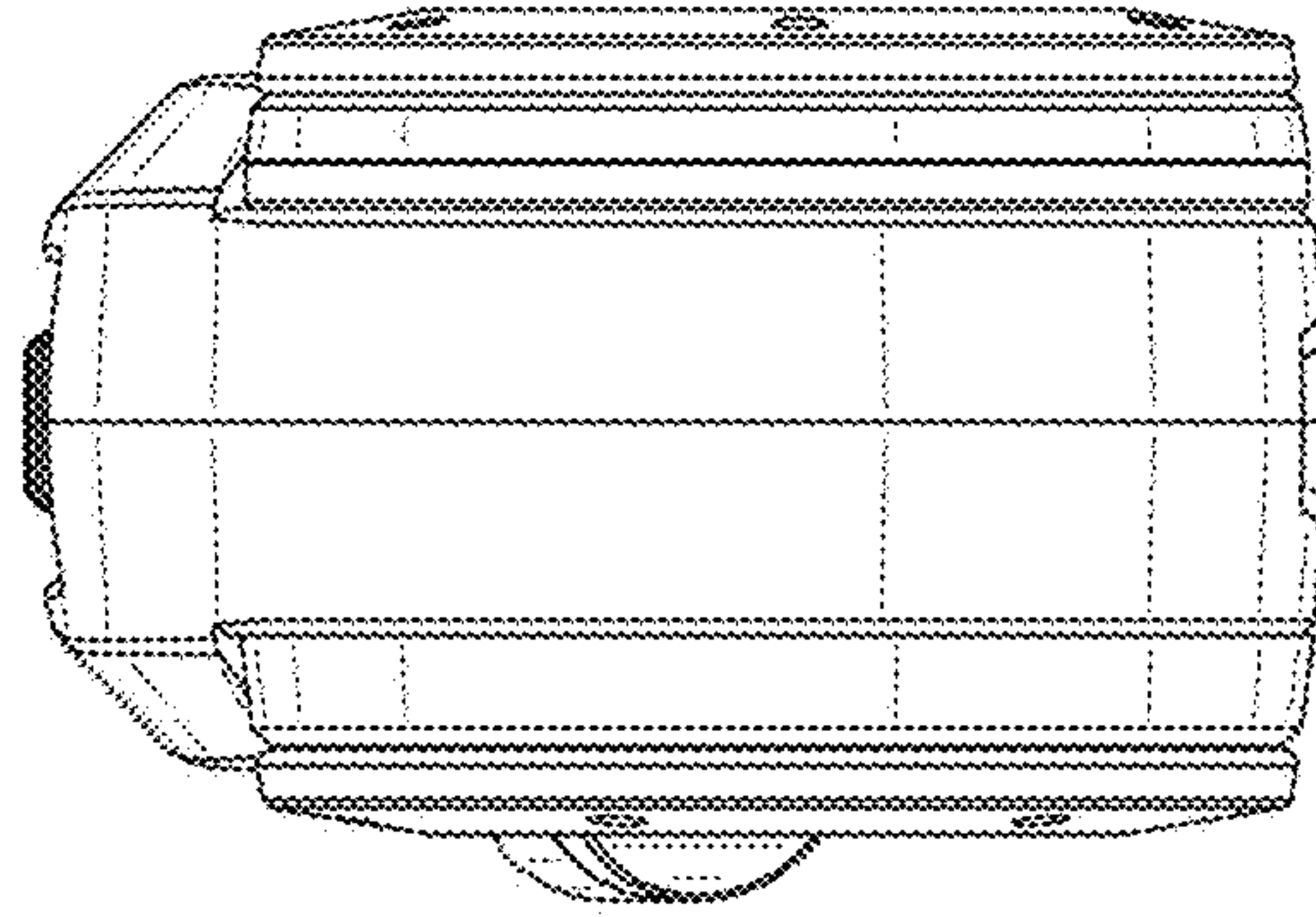


FIG. 3

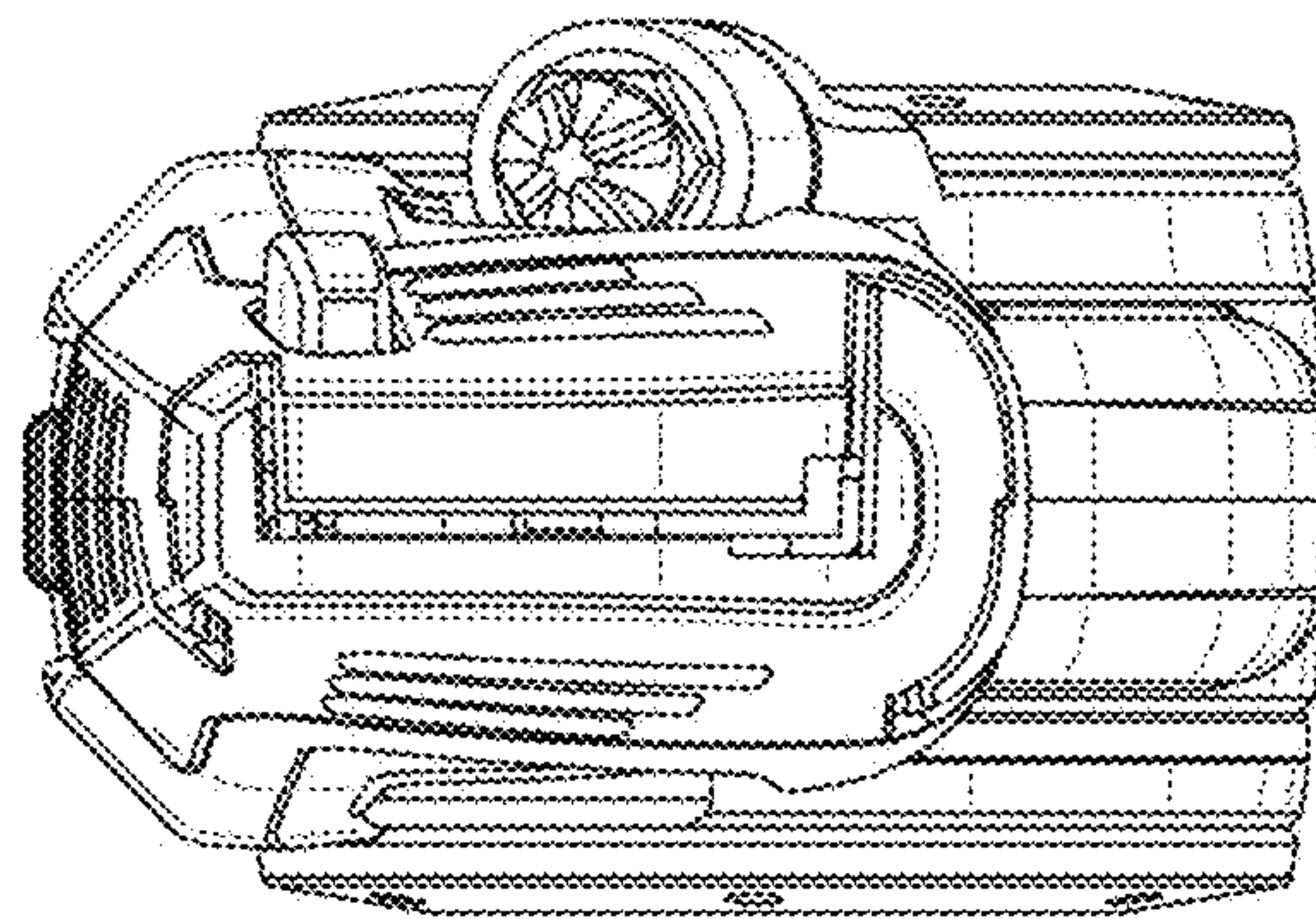


FIG. 2

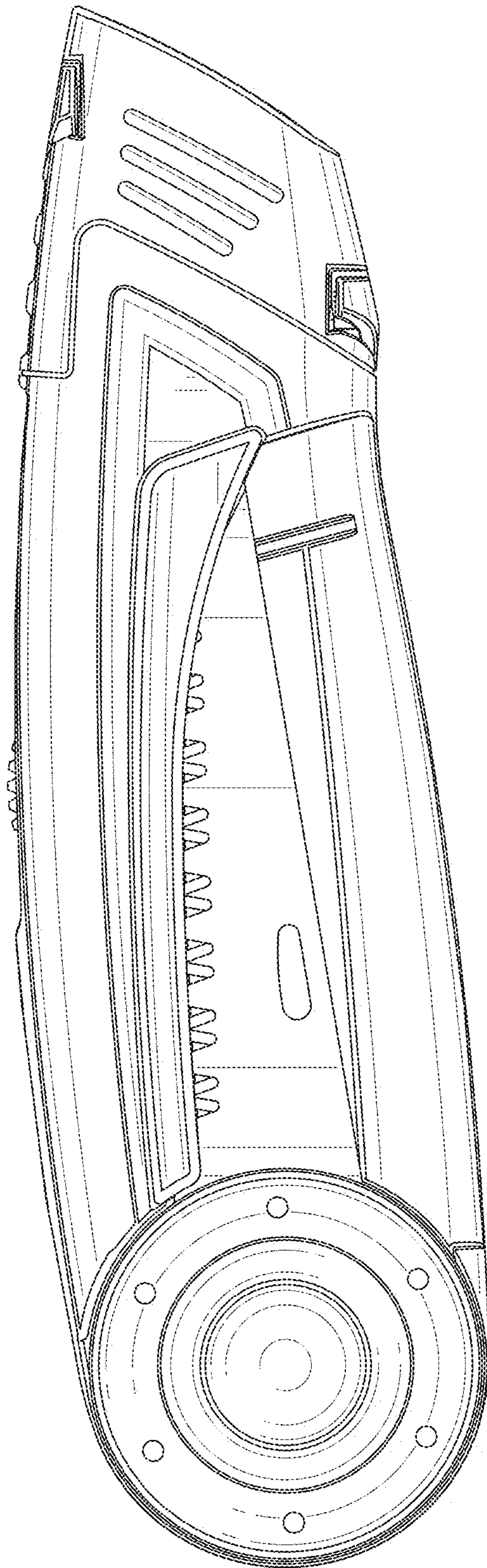


FIG. 4

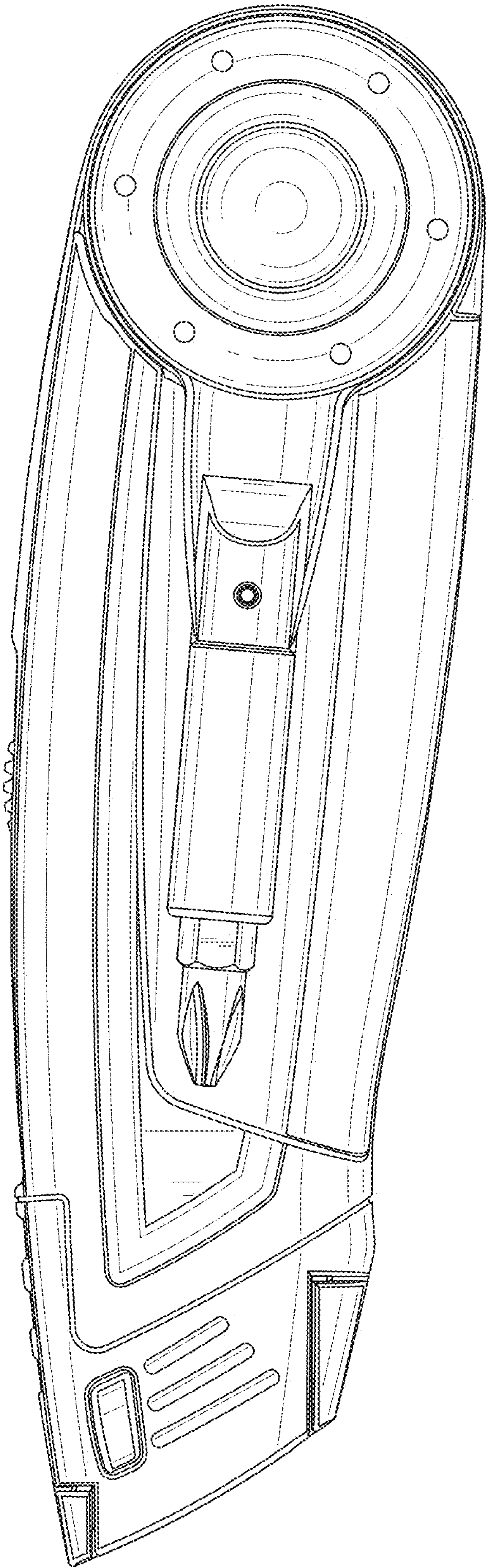


FIG. 5



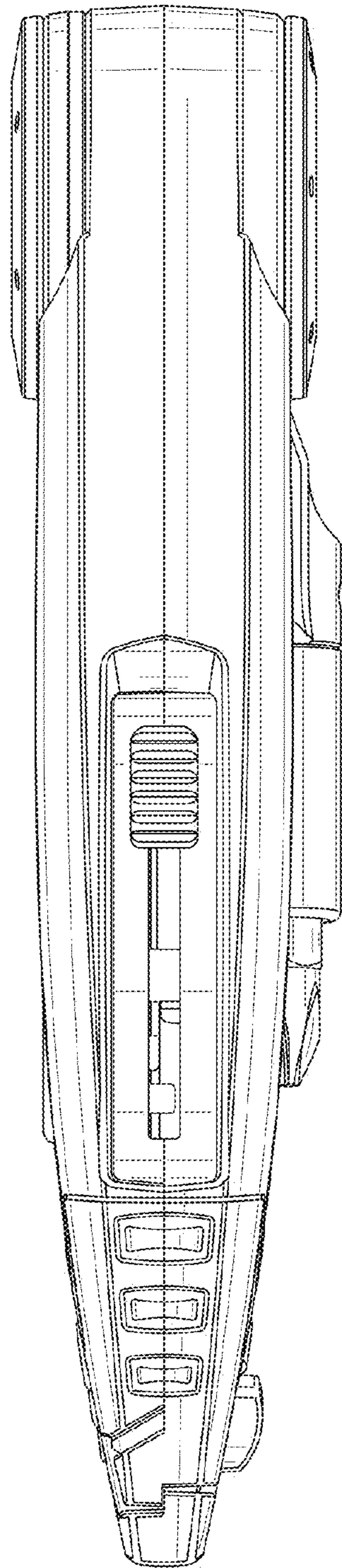


FIG. 6

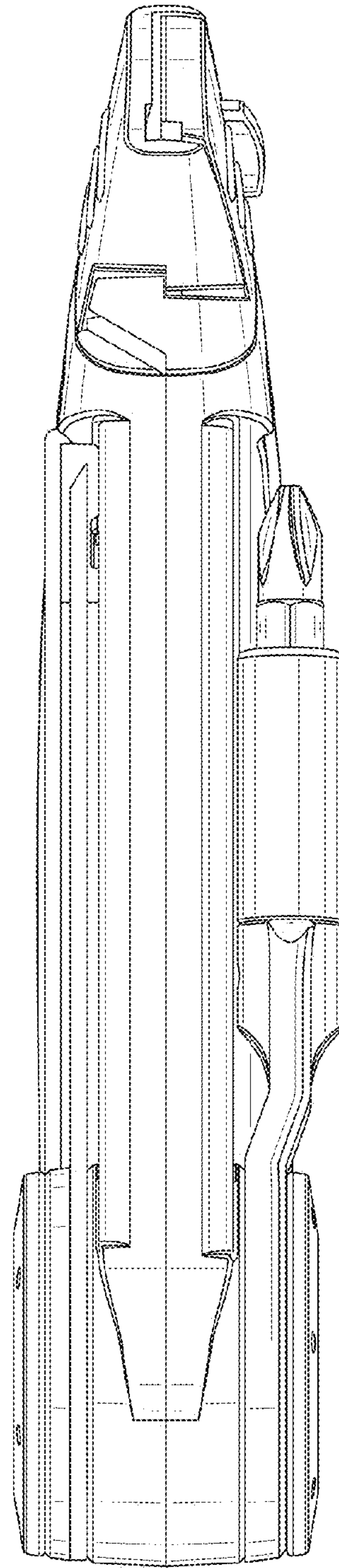


FIG. 7