



US00D711717S

(12) **United States Design Patent**
Walz et al.

(10) **Patent No.:** **US D711,717 S**

(45) **Date of Patent:** **** Aug. 26, 2014**

(54) **ROTARY HAMMER WITH DUST
REDUCTION SYSTEM**

- (71) Applicant: **Hilti Aktiengesellschaft**, Schaan (LI)
- (72) Inventors: **Ruprecht Walz**, Stuttgart (DE); **Tobias Koeniger**, Bregenz (AT); **Alexander Toszegi**, Leutenbach (DE); **Ulrich Roessler**, Auenwald (DE)
- (73) Assignee: **Hilti Aktiengesellschaft**, Schaan (LI)
- (**) Term: **14 Years**

- (21) Appl. No.: **29/467,691**
- (22) Filed: **Sep. 23, 2013**

Related U.S. Application Data

- (62) Division of application No. 29/404,819, filed on Oct. 26, 2011, now Pat. No. Des. 695,086.

(30) **Foreign Application Priority Data**

- May 11, 2011 (WO) DM/075 961
- (51) **LOC (10) Cl.** **08-03**
- (52) **U.S. Cl.**
USPC **D8/69; D8/68**
- (58) **Field of Classification Search**
USPC D8/14.1, 61-70; 81/429, 454-456, 469, 81/489; 173/104, 114, 168-171, 178, 201, 173/211, 213, 217; 408/20, 124, 125, 234; 388/809

See application file for complete search history.

(56) **References Cited**

U.S. PATENT DOCUMENTS

D491,438 S *	6/2004	Cheung et al.	D8/68
D525,849 S *	8/2006	Hayakawa et al.	D8/69
D555,451 S *	11/2007	Okuda et al.	D8/69
D575,606 S *	8/2008	Okouchi et al.	D8/69
D581,235 S *	11/2008	Aglassinger	D8/69
D587,547 S *	3/2009	Aglassinger	D8/69
D592,028 S *	5/2009	Taniguchi et al.	D8/69
D595,101 S *	6/2009	Bast	D8/68
D604,583 S *	11/2009	Yamamoto et al.	D8/69
D610,478 S *	2/2010	Bast	D10/69
D618,529 S *	6/2010	Stirm	D8/69
D663,183 S *	7/2012	Sell	D8/69
2009/0301746 A1 *	12/2009	Robieu	173/217

* cited by examiner

Primary Examiner — Philip S Hyder
Assistant Examiner — Darlington Ly
 (74) *Attorney, Agent, or Firm* — Crowell & Morning LLP

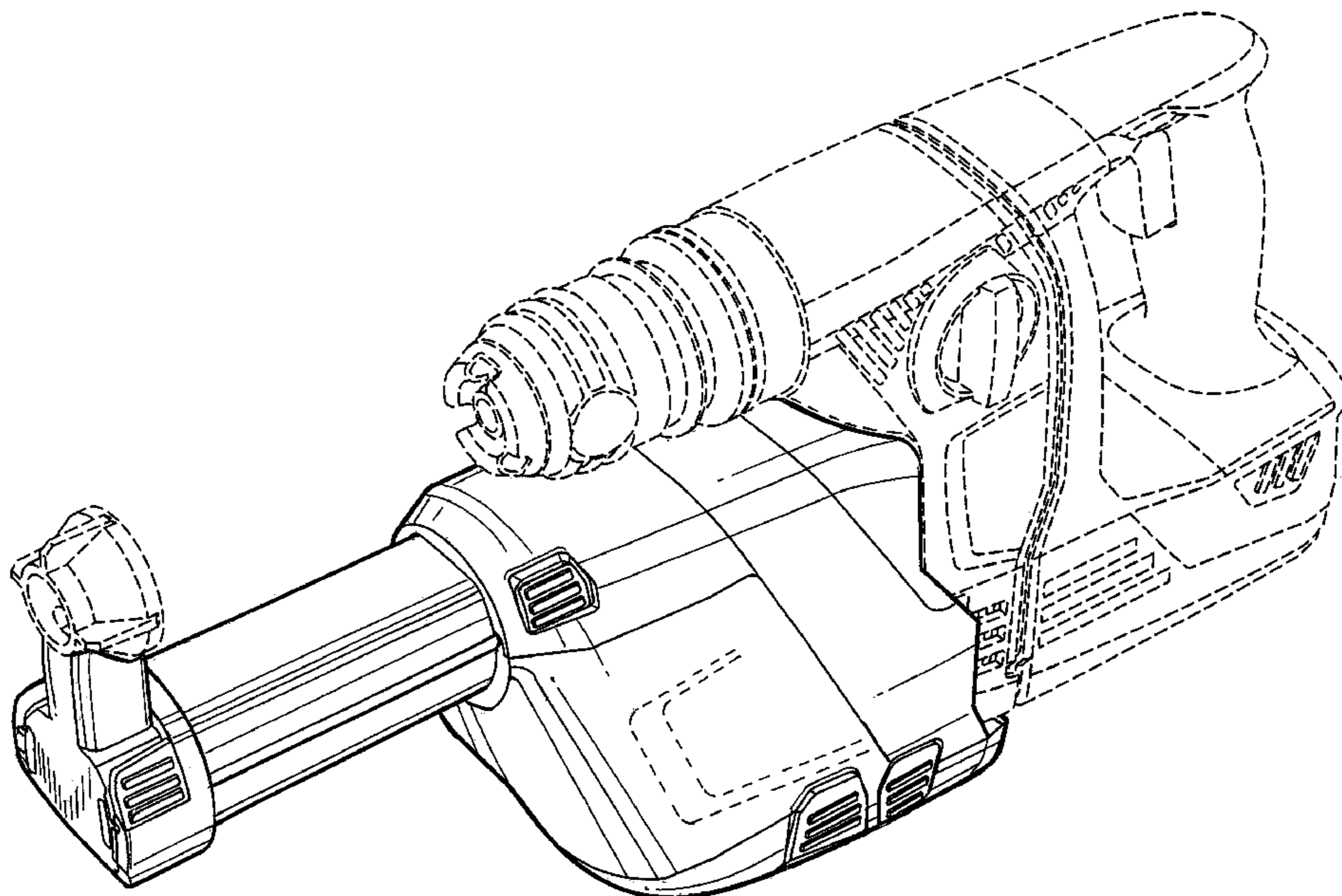
(57) **CLAIM**

The ornamental design for a rotary hammer with dust reduction system, as shown and described.

DESCRIPTION

FIG. 1 is a left, top, front perspective view of a rotary hammer with dust reduction system according to the design;
 FIG. 2 is a right, bottom, rear perspective view thereof;
 FIG. 3 is a left side view thereof;
 FIG. 4 is a right side view thereof;
 FIG. 5 is a front view thereof;
 FIG. 6 is a rear view thereof;
 FIG. 7 is a top view thereof; and,
 FIG. 8 is a bottom view thereof.
 The broken lines shown in the drawings illustrate portions of the rotary hammer with dust reduction system that form no part of the claimed design.

1 Claim, 8 Drawing Sheets



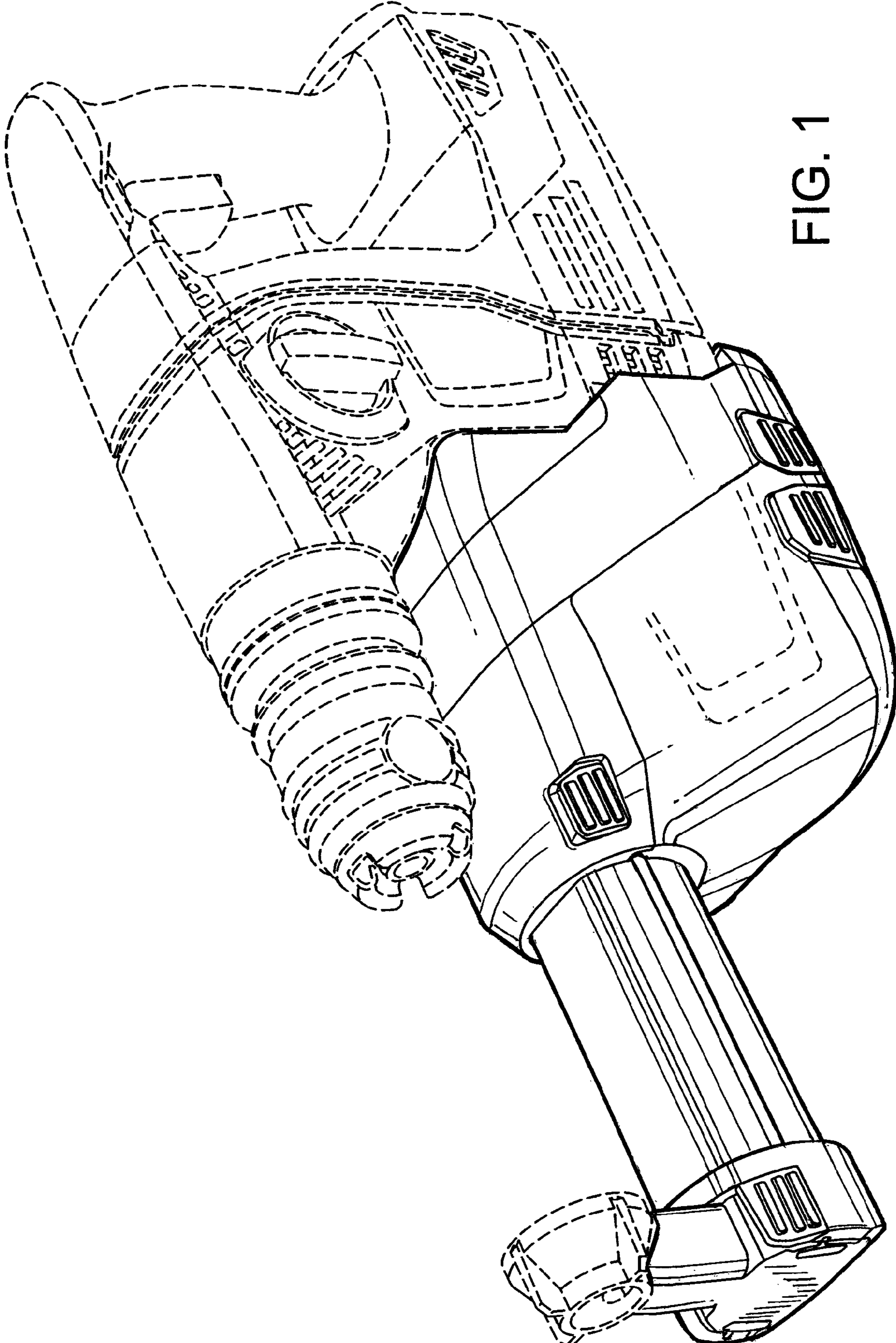


FIG. 1

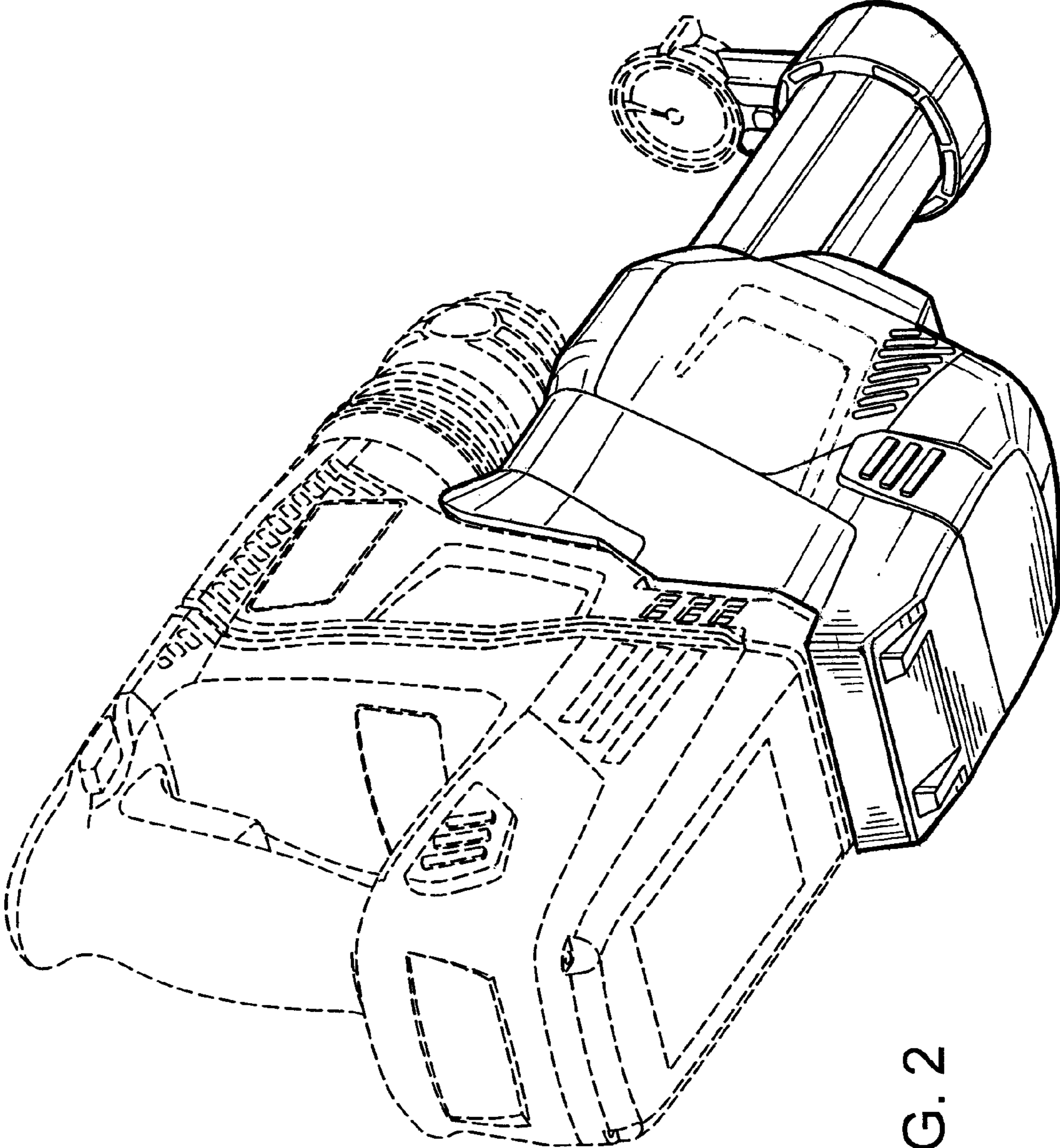


FIG. 2

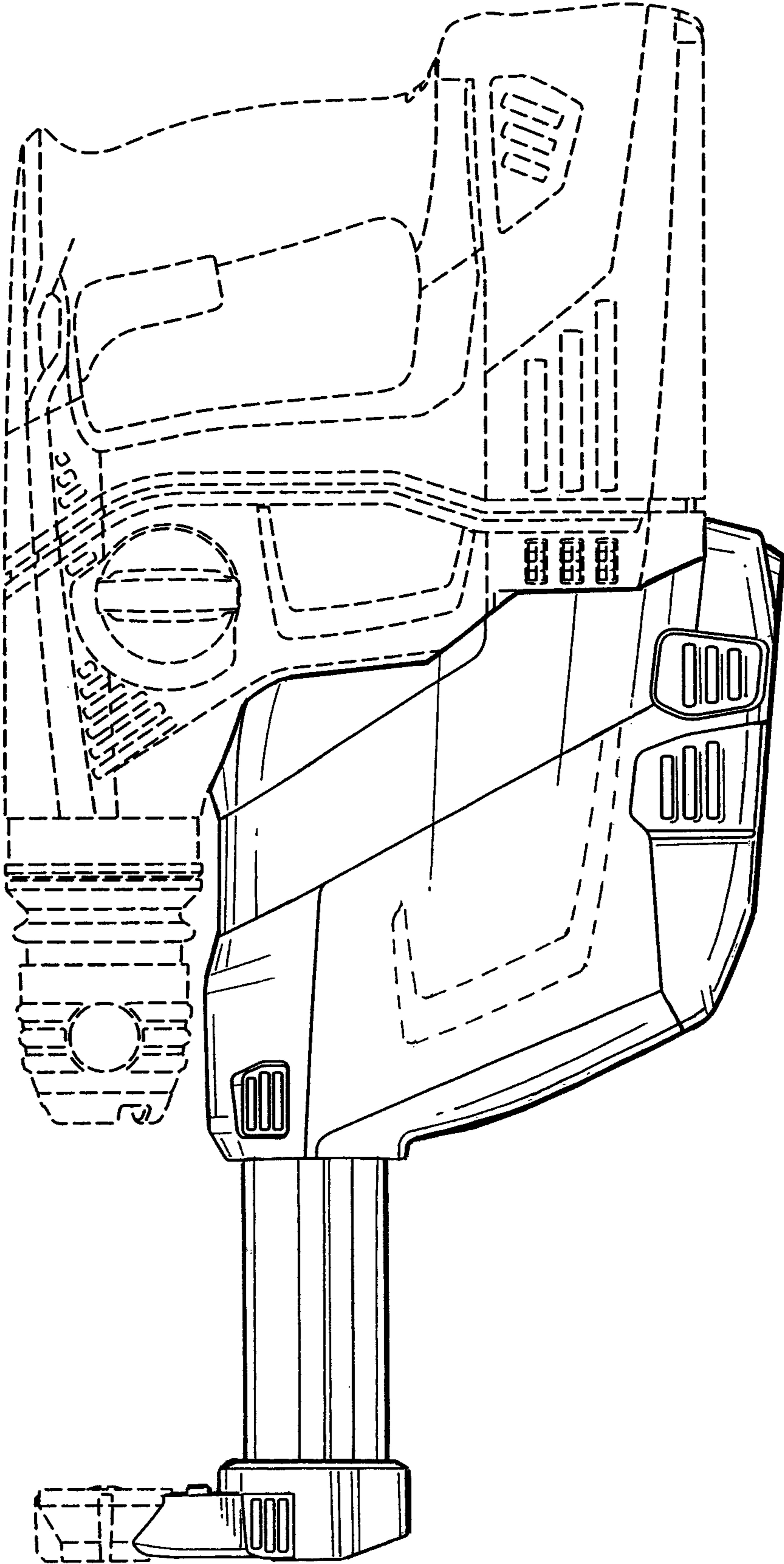


FIG. 3

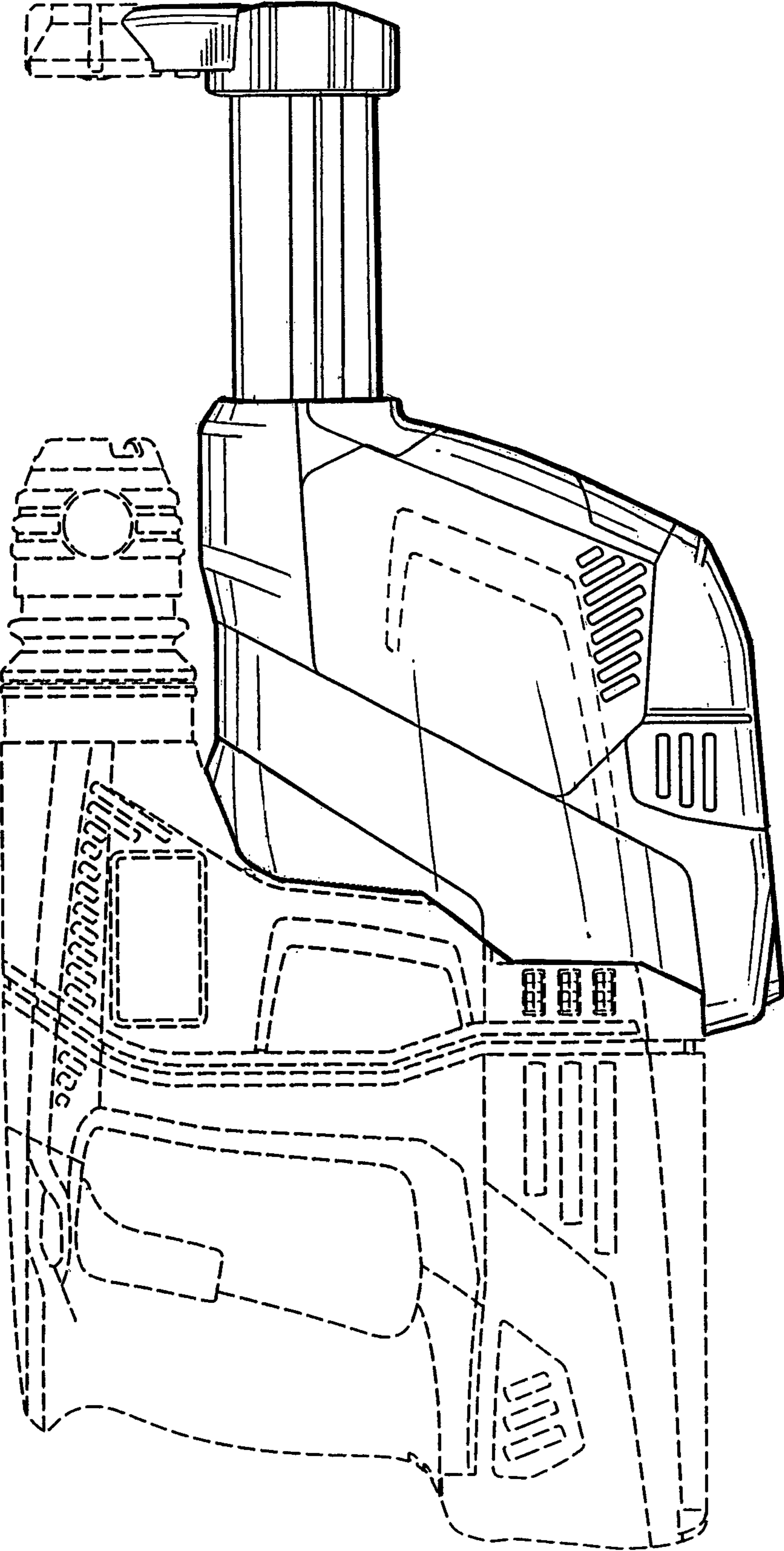


FIG. 4

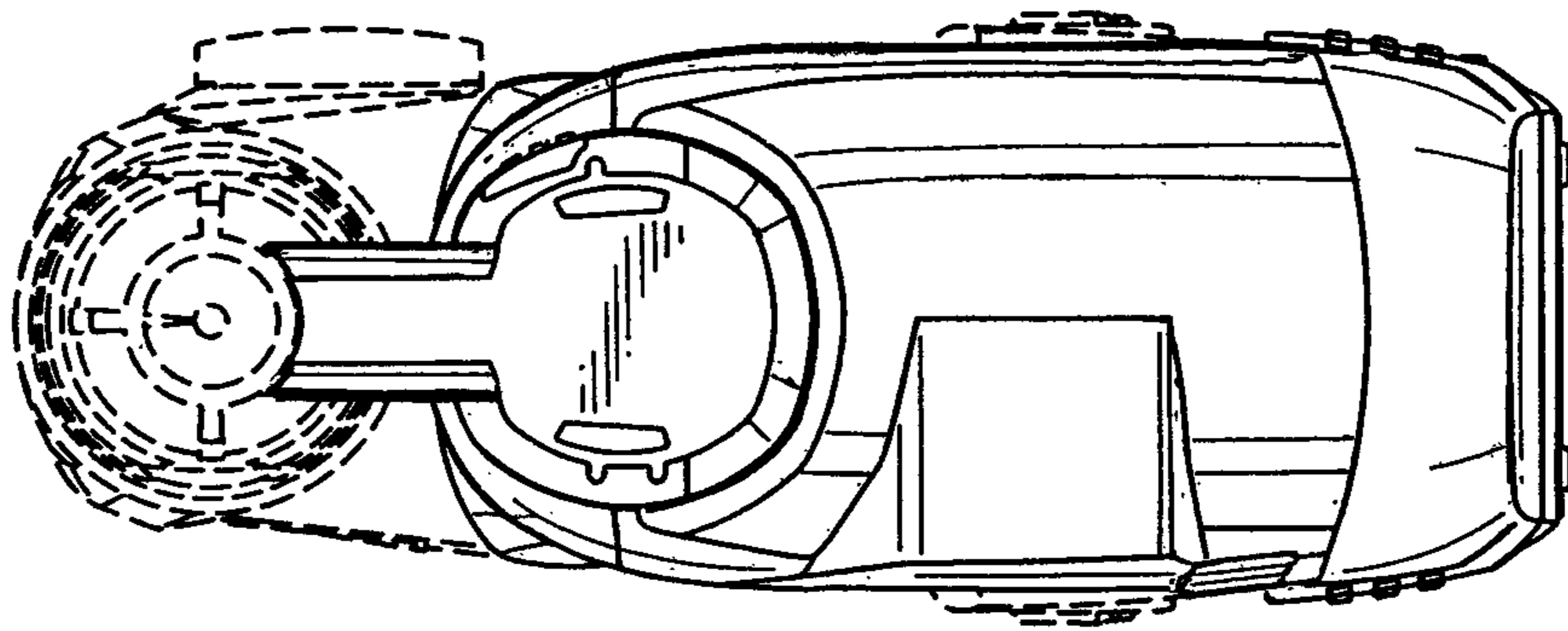


FIG. 5

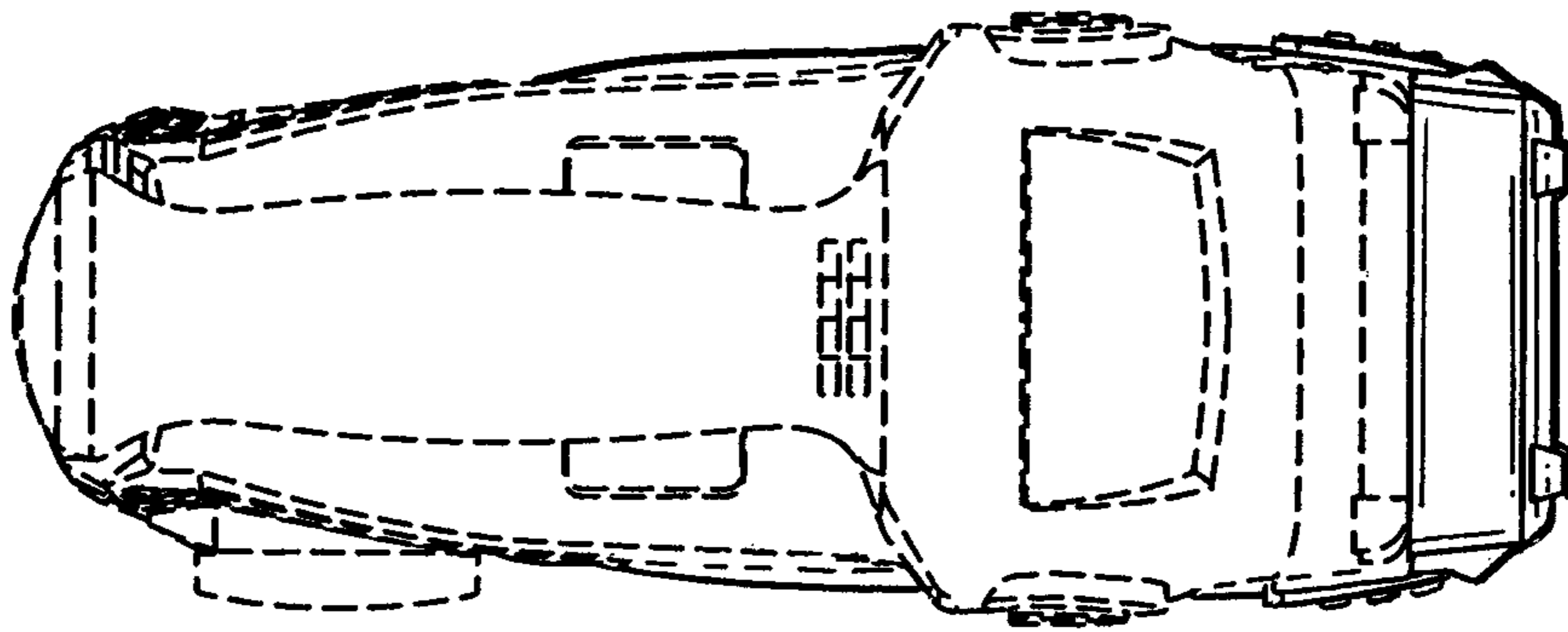


FIG. 6

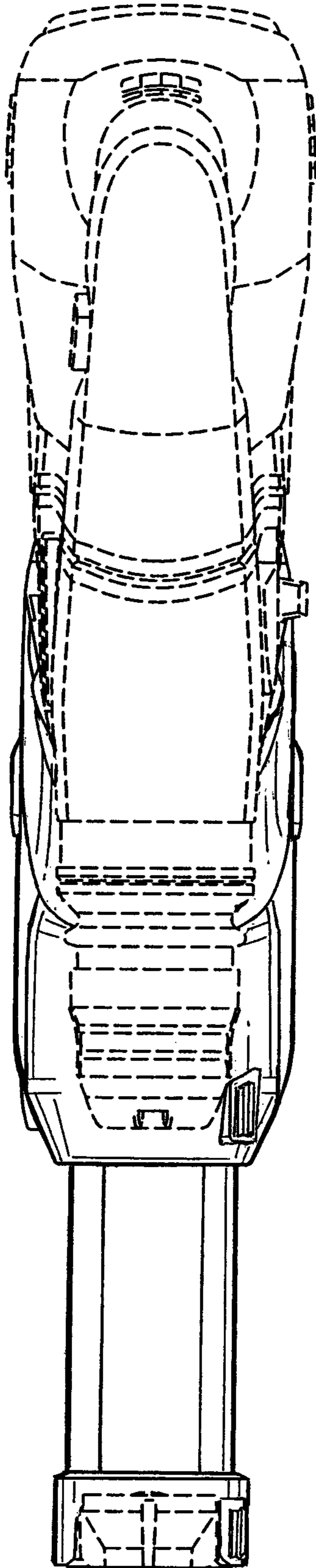


FIG. 7

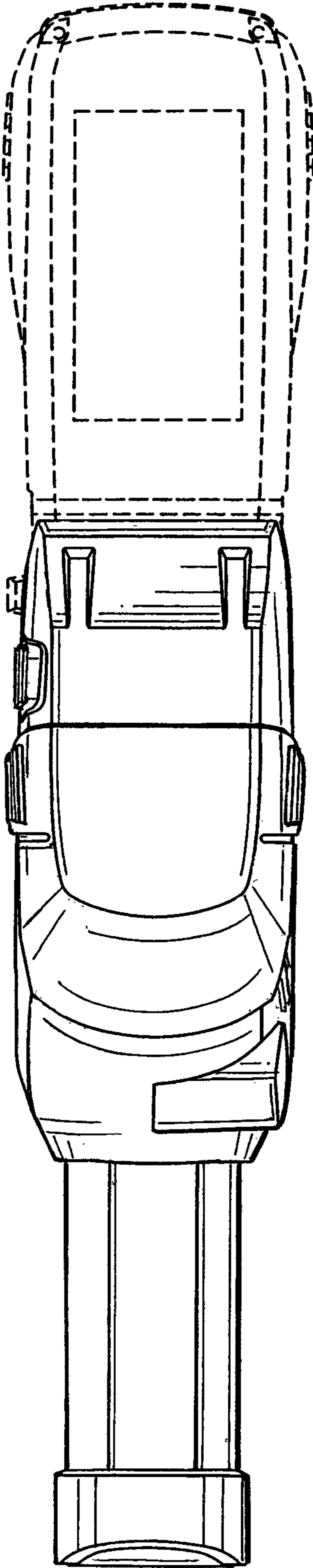


FIG. 8