



US00D711716S

(12) **United States Design Patent**  
**Tinius**

(10) **Patent No.:** **US D711,716 S**

(45) **Date of Patent:** **\*\* Aug. 26, 2014**

(54) **BATTERY POWERED CUT-OFF MACHINE**

(71) Applicant: **Andreas Stihl AG & Co. KG**,  
Waiblingen (DE)

(72) Inventor: **Michael Tinius**, Ulm (DE)

(73) Assignee: **Andreas Stihl AG & Co. KG**,  
Waiblingen (DE)

(\*\*) Term: **14 Years**

(21) Appl. No.: **29/473,522**

(22) Filed: **Nov. 22, 2013**

(30) **Foreign Application Priority Data**

Jul. 29, 2013 (EM) ..... 002282921-0003

(51) **LOC (10) Cl.** ..... **08-03**

(52) **U.S. Cl.**  
USPC ..... **D8/65**

(58) **Field of Classification Search**

CPC ..... B27B 9/00; B27B 9/02; B27B 5/02;  
B27B 5/18; B27B 33/08; B28D 1/04; B28D  
1/045; B23D 45/00

USPC ..... D8/69, 68, 67, 66, 64, 61, 70;  
83/698.41, 747, 166.3, 374, 373, 375,  
83/376, 391, 377, 390, 388, 389; 30/122,  
30/124, 329; 144/218; D21/532

See application file for complete search history.

(56) **References Cited**

**U.S. PATENT DOCUMENTS**

5,826,478 A \* 10/1998 Zerrer ..... 83/169  
5,855,067 A \* 1/1999 Taomo et al. .... 30/122  
6,546,631 B2 \* 4/2003 Iida et al. .... 30/124  
D530,175 S \* 10/2006 Arvidsson et al. .... D8/66  
7,137,877 B2 \* 11/2006 Uhl et al. .... 451/358

D533,039 S \* 12/2006 Arvidsson et al. .... D8/66  
D533,757 S \* 12/2006 Arvidsson et al. .... D8/66  
D561,551 S \* 2/2008 Tinius ..... D8/66  
D579,742 S \* 11/2008 Arvidsson et al. .... D8/66  
D596,912 S \* 7/2009 Arvidsson et al. .... D8/66  
D609,070 S \* 2/2010 Tinius ..... D8/62  
D640,110 S \* 6/2011 Tinius ..... D8/65  
D669,329 S \* 10/2012 Tinius ..... D8/65

\* cited by examiner

*Primary Examiner* — Austin Murphy

(74) *Attorney, Agent, or Firm* — McGuireWoods LLP

(57) **CLAIM**

I claim the ornamental design for a battery powered cut-off machine, as shown and described.

**DESCRIPTION**

FIG. 1 is a right-rear perspective view of the battery powered cut-off machine;

FIG. 2 is a left-rear perspective view of the battery powered cut-off machine shown in FIG. 1;

FIG. 3 is a rear view of the battery powered cut-off machine shown in FIG. 1;

FIG. 4 is a left side view of the battery powered cut-off machine shown in FIG. 1;

FIG. 5 is a right side of the battery powered cut-off machine shown in FIG. 1;

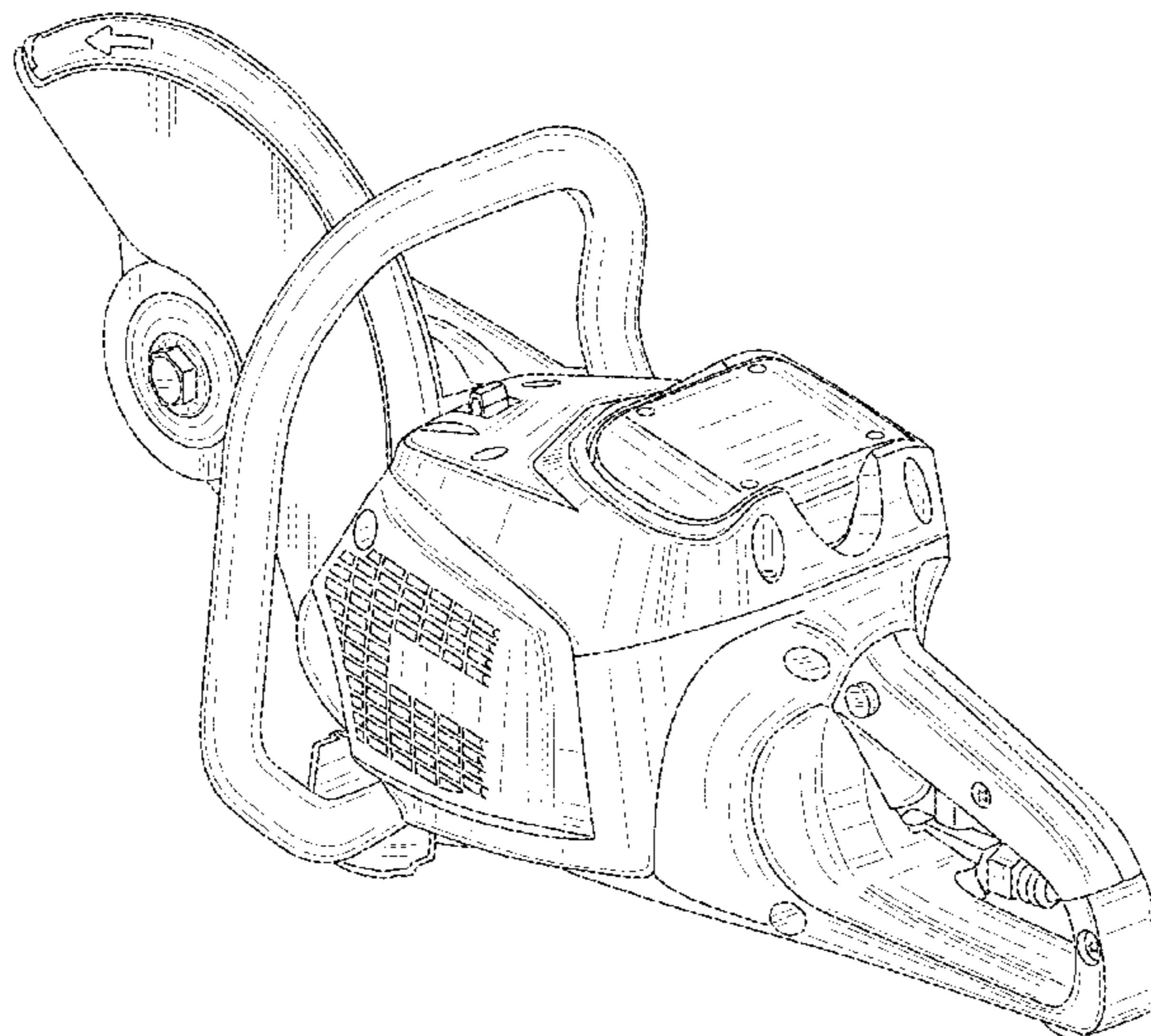
FIG. 6 is a front view of the battery powered cut-off machine shown in FIG. 1; and

FIG. 7 is a top view of the battery powered cut-off machine shown in FIG. 1; and,

FIG. 8 is a bottom view of the battery powered cut-off machine shown in FIG. 1.

The subject matter shown in dashed lines, and any surfaces of the design not shown, including interior surfaces, form no part of the claimed invention.

**1 Claim, 8 Drawing Sheets**



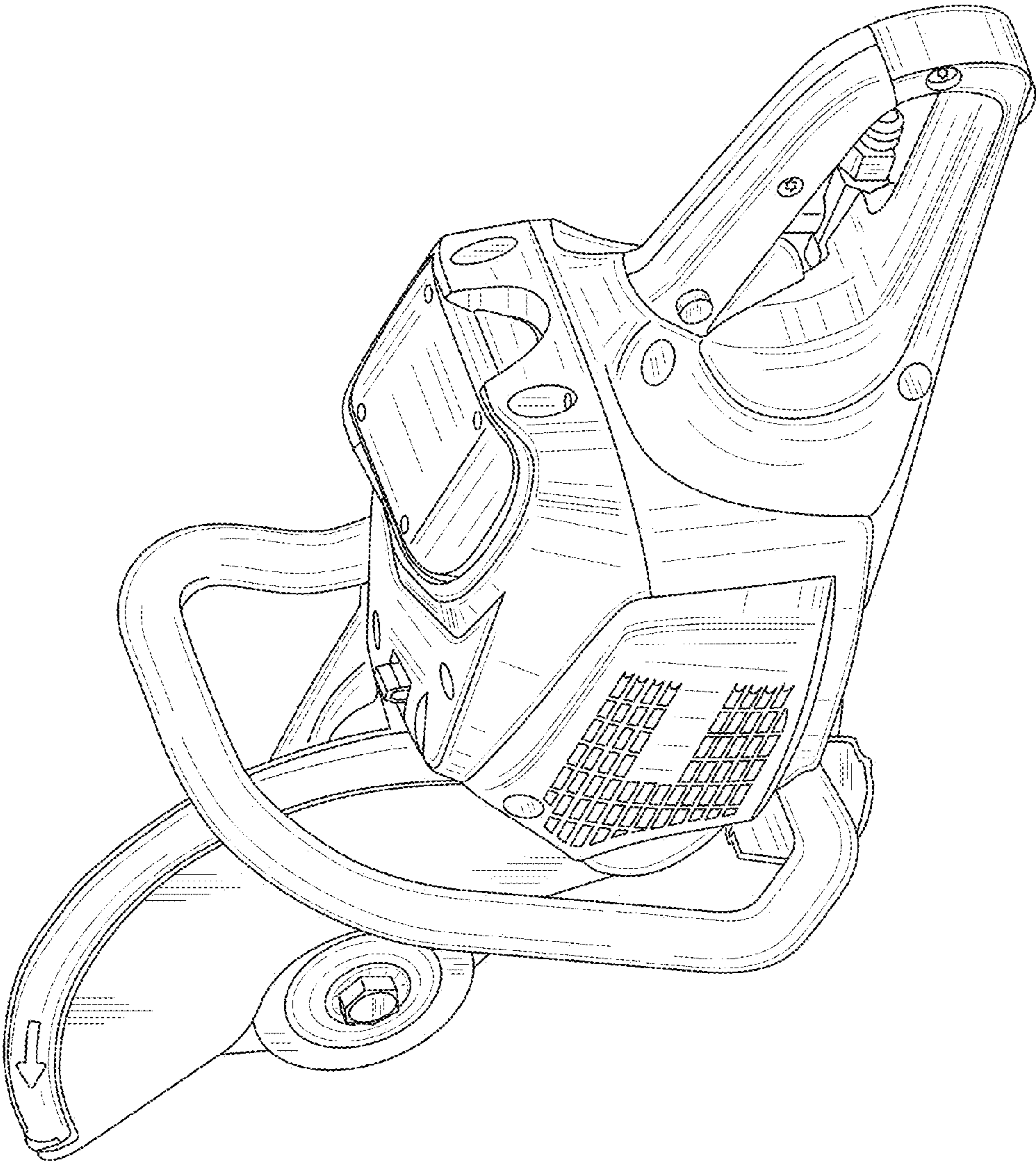


FIG. 1



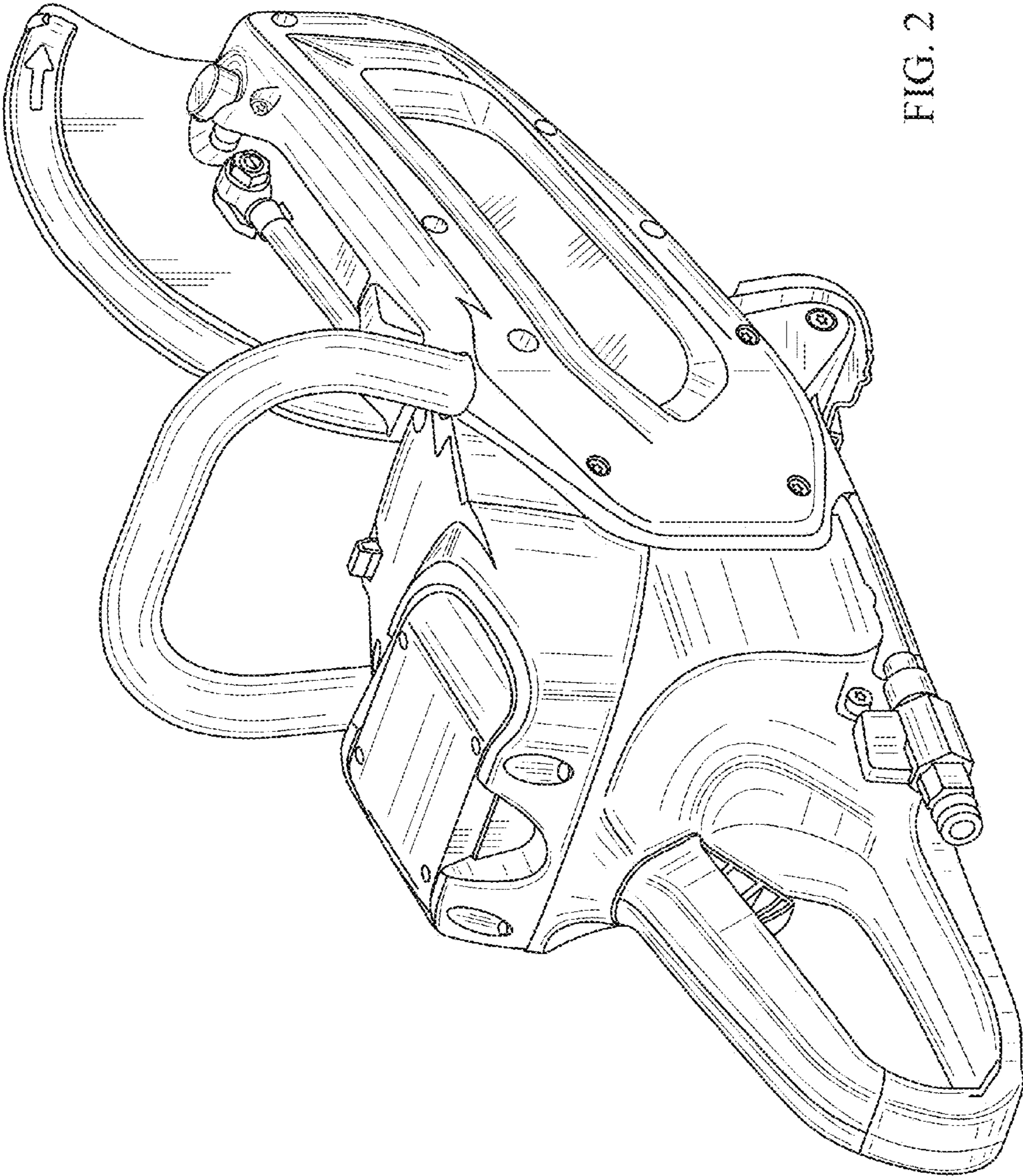


FIG. 2

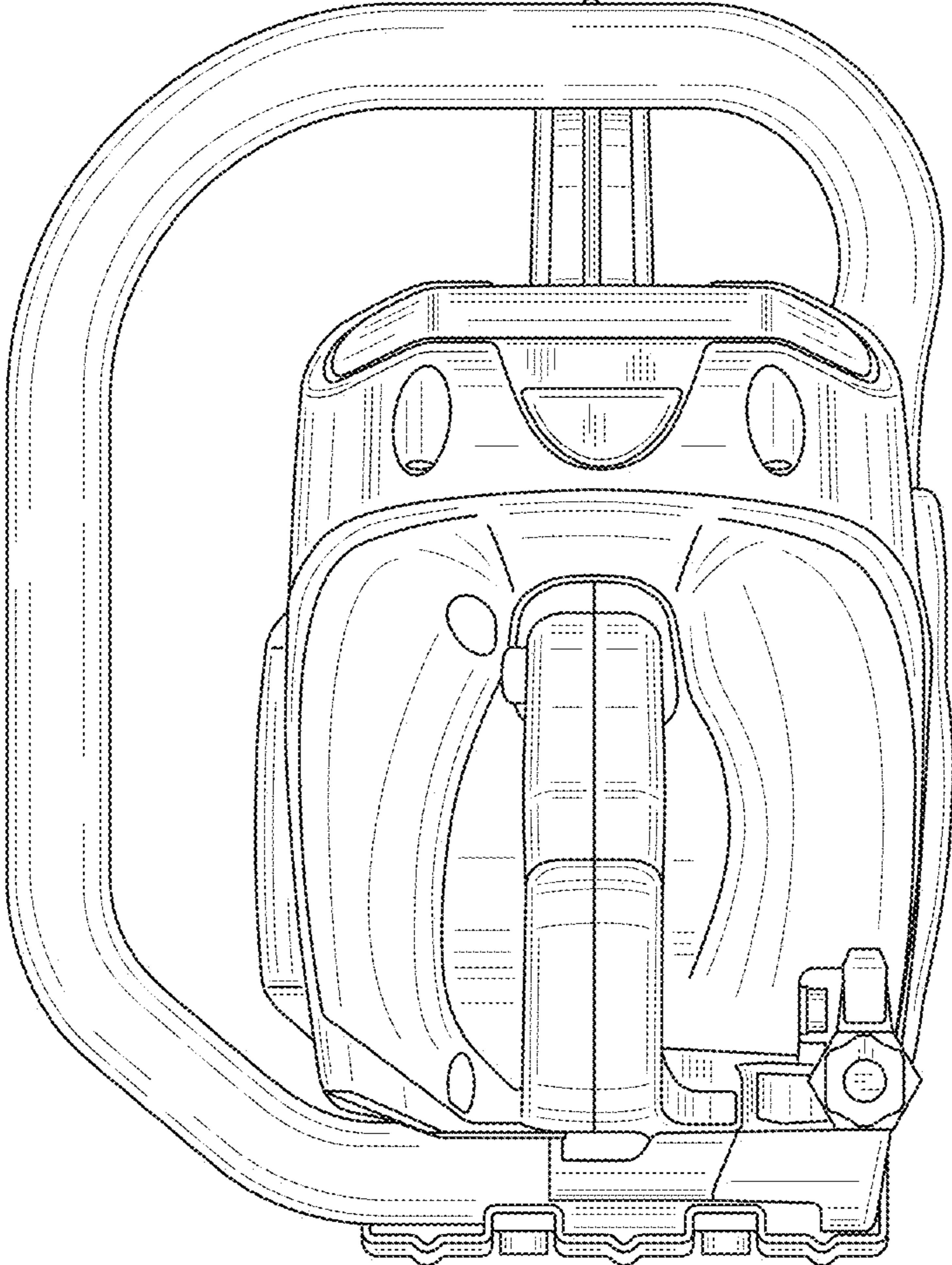


FIG. 3

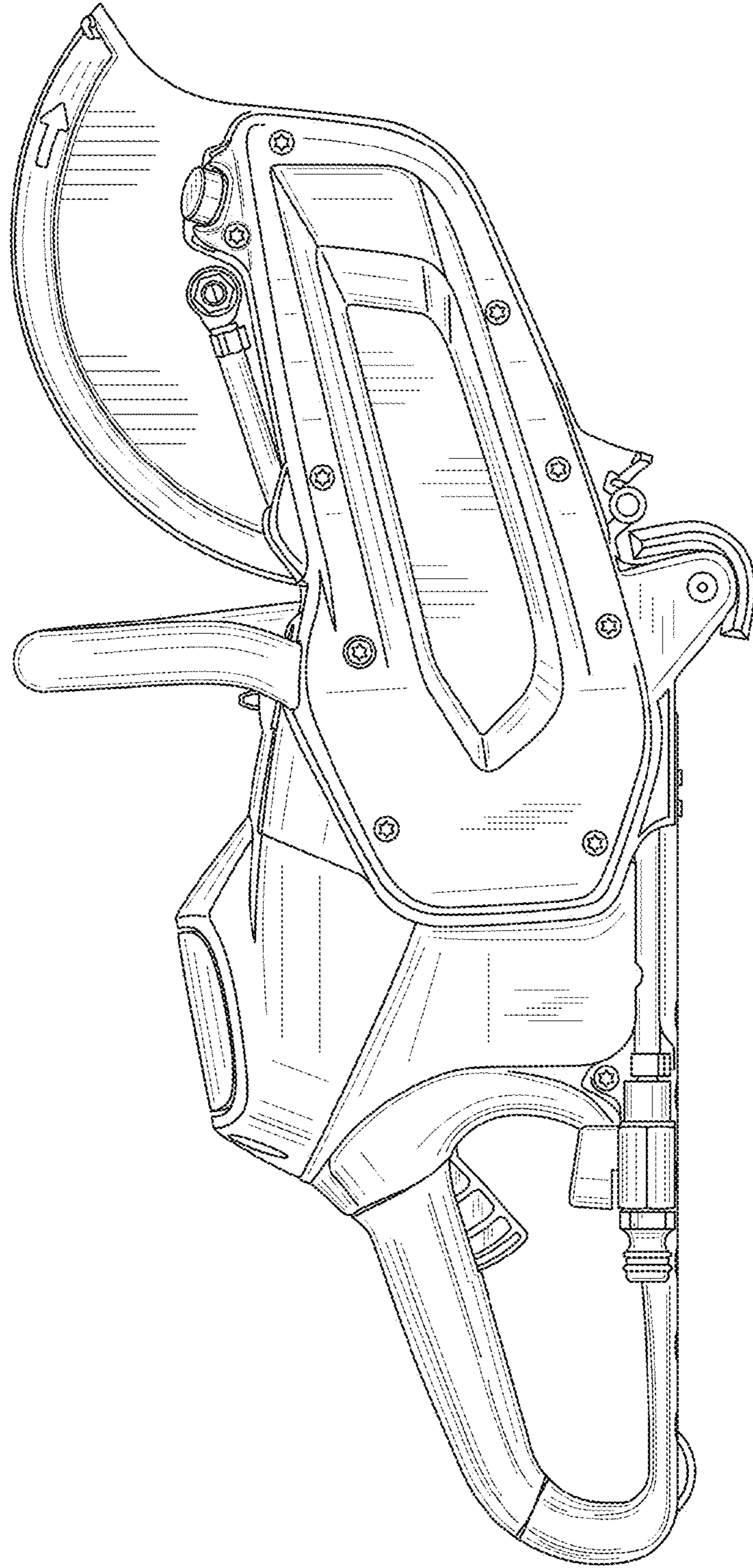


FIG. 4



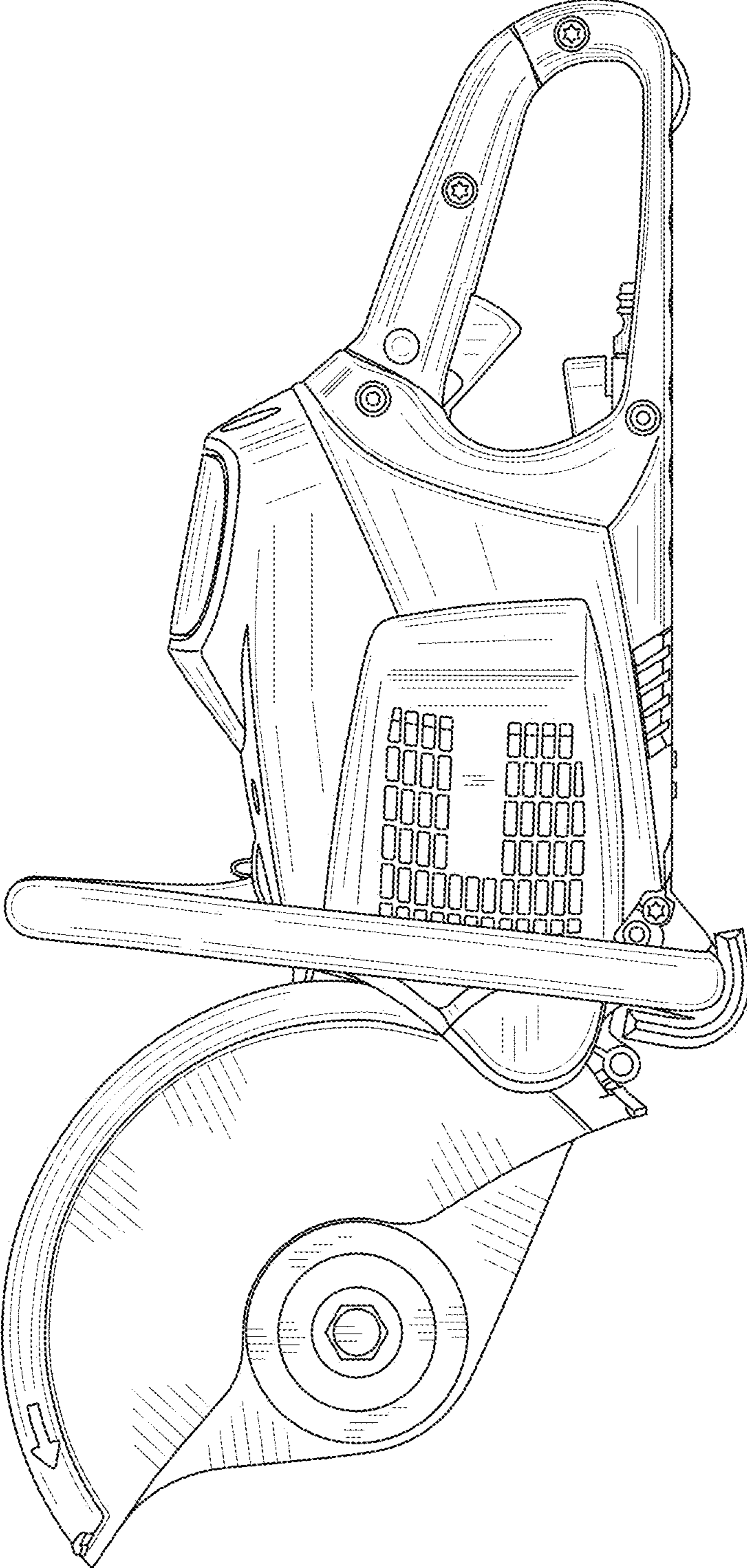


FIG. 5

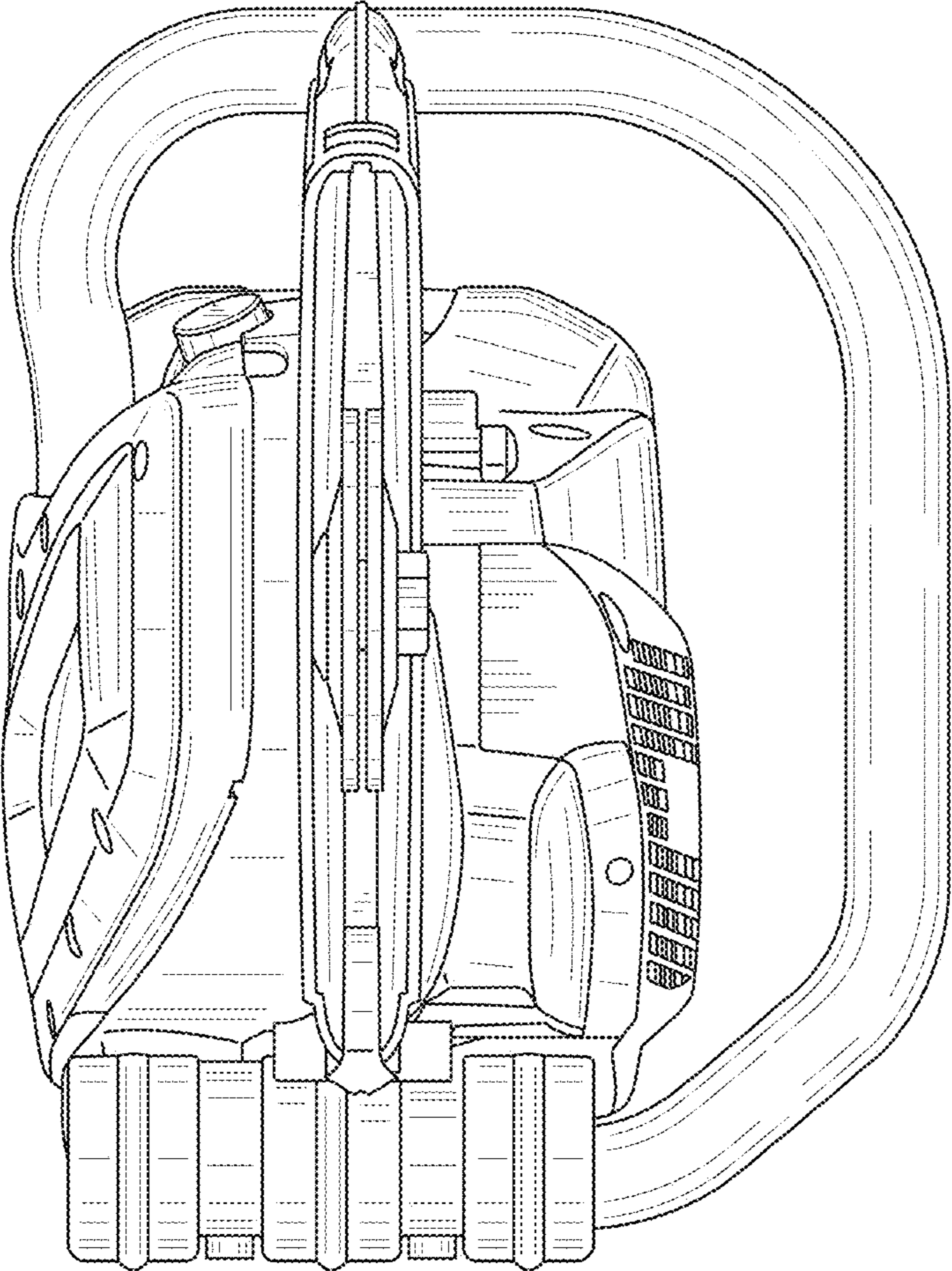


FIG. 6

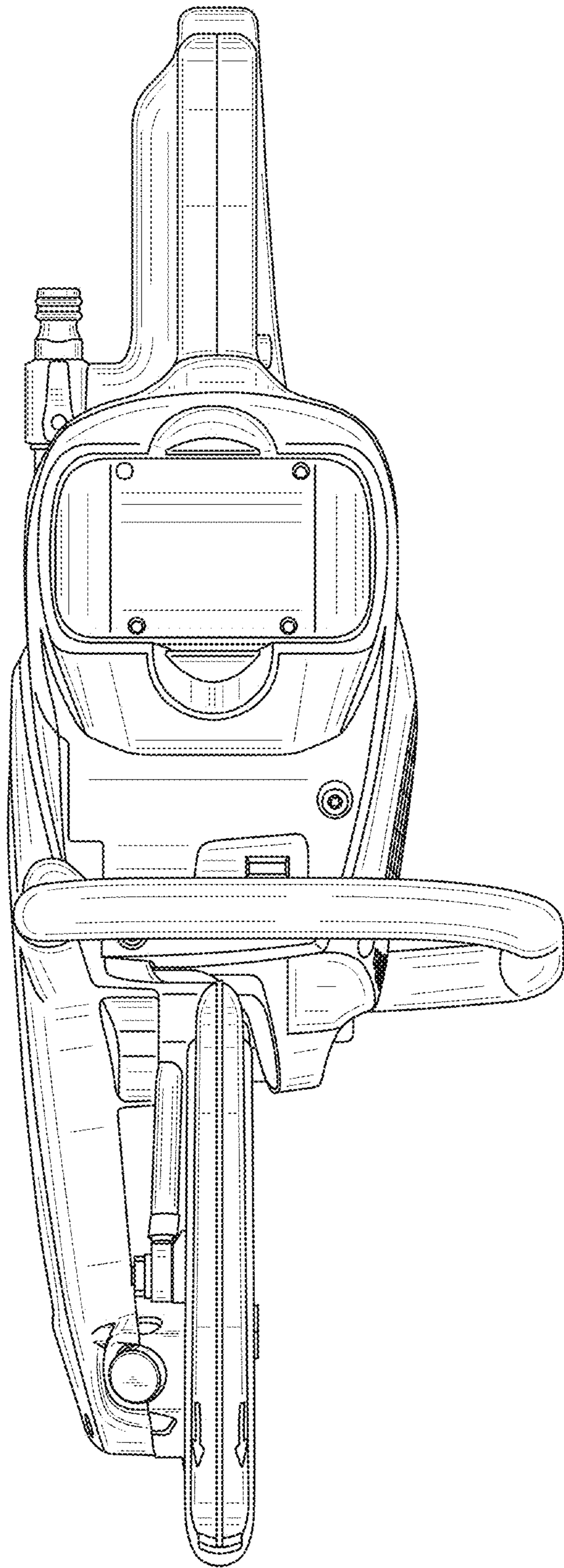


FIG. 7



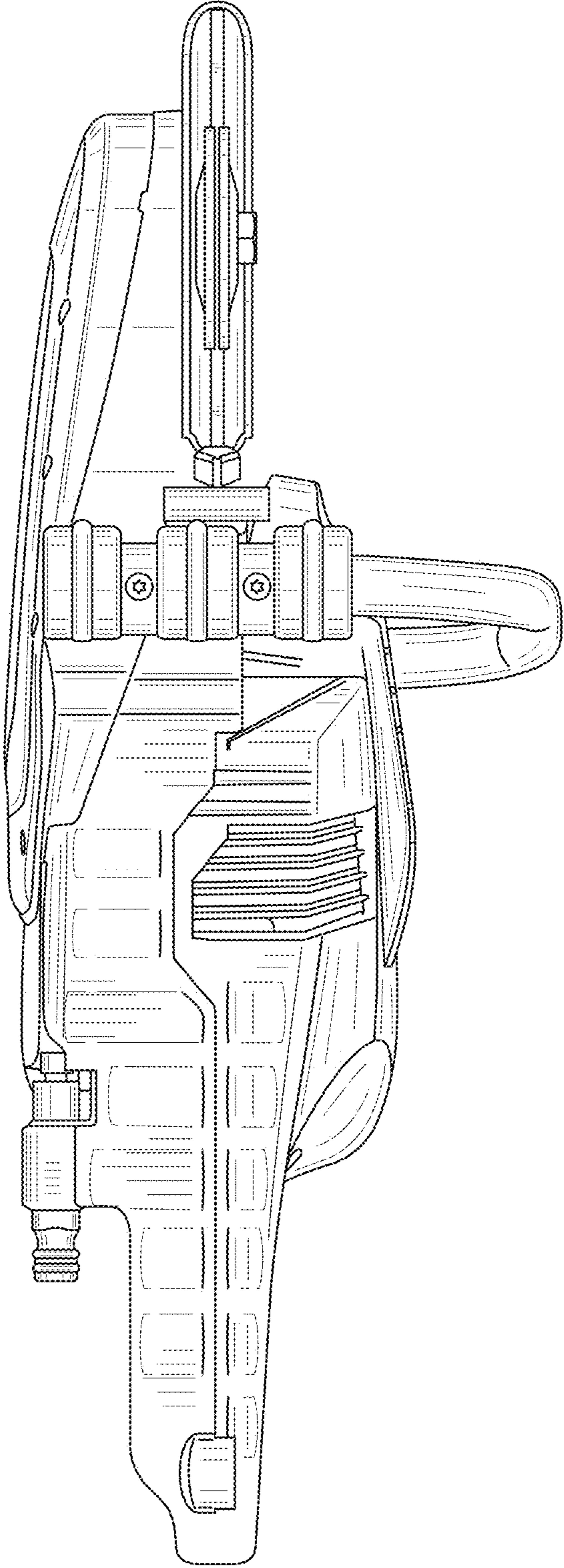


FIG. 8