



US00D711715S

(12) **United States Design Patent**  
**Takahashi et al.**

(10) **Patent No.:** **US D711,715 S**

(45) **Date of Patent:** **\*\* Aug. 26, 2014**

(54) **PORTABLE ELECTRIC BAND SAW**

(71) Applicant: **Makita Corporation**, Anjo (JP)

(72) Inventors: **Koji Takahashi**, Anjo (JP); **Fuzhi Zhang**, Jiangsu (CN)

(73) Assignee: **Makita Corporation**, Anjo-shi (JP)

(\*\*) Term: **14 Years**

(21) Appl. No.: **29/462,856**

(22) Filed: **Aug. 9, 2013**

(30) **Foreign Application Priority Data**

Feb. 18, 2013 (JP) ..... 2013-003213

(51) **LOC (10) Cl.** ..... **08-03**

(52) **U.S. Cl.**  
USPC ..... **D8/64**

(58) **Field of Classification Search**  
USPC ..... D8/64; D15/138, 134, 133; 83/818,  
83/816, 788, 824; 30/380, 274, 166.3  
See application file for complete search history.

(56) **References Cited**

**U.S. PATENT DOCUMENTS**

3,658,102	A *	4/1972	Joosten	.....	30/373
4,001,937	A *	1/1977	Stelljes et al.	.....	30/380
D248,085	S *	6/1978	Stelljes et al.	.....	D8/64
4,823,666	A *	4/1989	Galloway	.....	83/788
D316,507	S *	4/1991	Fushiya et al.	.....	D8/64
D345,171	S *	3/1994	Watanabe et al.	.....	D15/134

6,829,830	B2 *	12/2004	O'Banion	.....	30/371
D530,580	S *	10/2006	Hayakawa et al.	.....	D8/64
D545,656	S *	7/2007	Welsh	.....	D8/64
D546,153	S	7/2007	Hayakawa et al.		
D571,175	S *	6/2008	Wright	.....	D8/64
8,104,182	B2 *	1/2012	Shibata et al.	.....	30/380
2004/0139835	A1 *	7/2004	Wright et al.	.....	83/788
2004/0158996	A1 *	8/2004	McIntosh	.....	30/380
2005/0188550	A1 *	9/2005	Uehlein-Proctor et al.	....	30/380

\* cited by examiner

*Primary Examiner* — Austin Murphy

(74) *Attorney, Agent, or Firm* — Posz Law Group, PLC

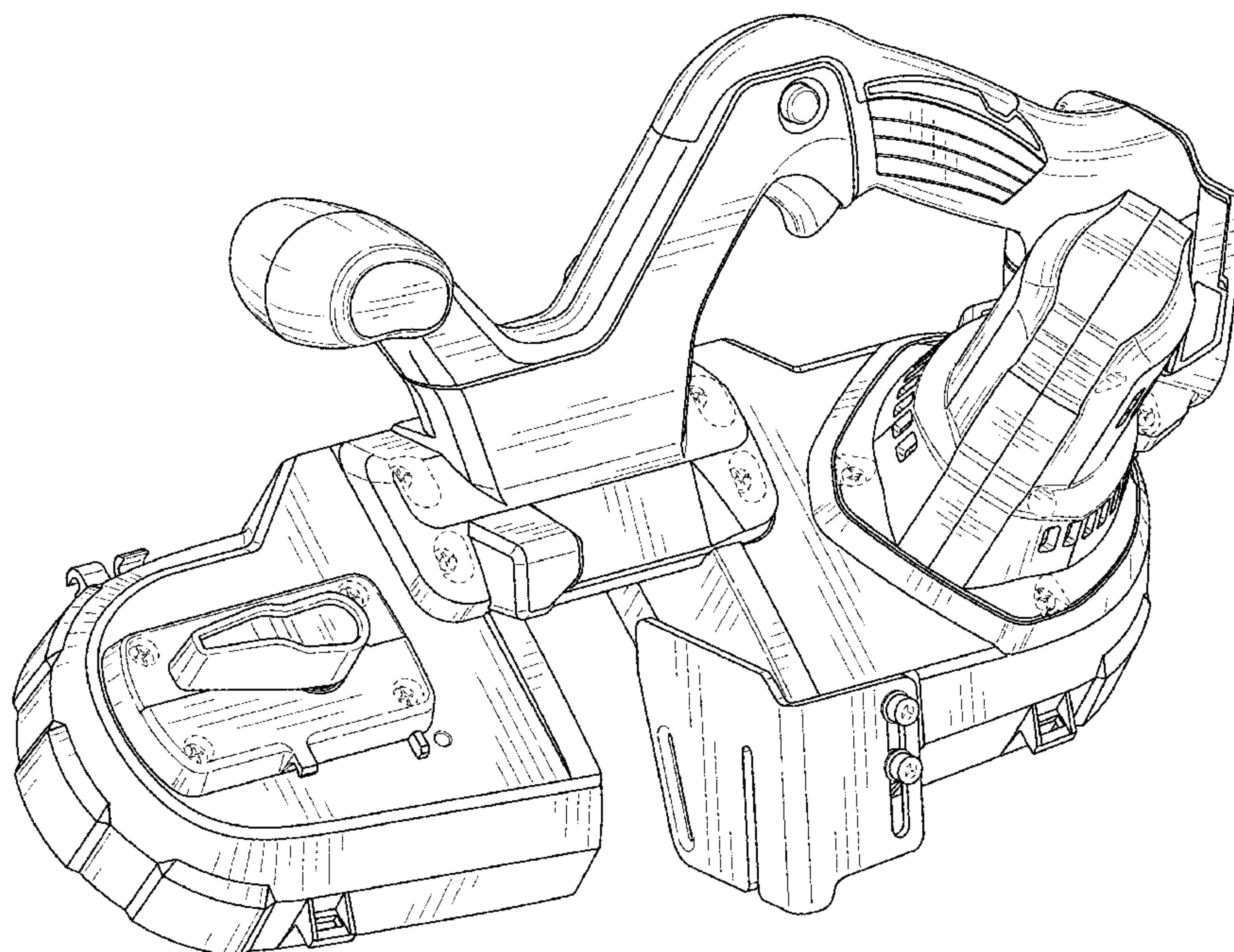
(57) **CLAIM**

The ornamental design for a portable electric band saw, as shown and described.

**DESCRIPTION**

FIG. 1 is a perspective view of top, front, and left side of a portable electric band saw showing our new design;  
 FIG. 2 is a front view thereof;  
 FIG. 3 is a rear view thereof;  
 FIG. 4 is a right side view thereof;  
 FIG. 5 is a left side view thereof;  
 FIG. 6 is a top view thereof;  
 FIG. 7 is a bottom view thereof; and  
 FIG. 8 is a perspective view of bottom, rear, and right side view thereof; and,  
 FIG. 9 is an alternate perspective view of the portable electric band saw of FIG. 1 shown in an environment of use.  
 The broken lines and the areas within the broken lines are included for the purpose of illustrating portions of the “article” and form no part of the claimed design.

**1 Claim, 9 Drawing Sheets**



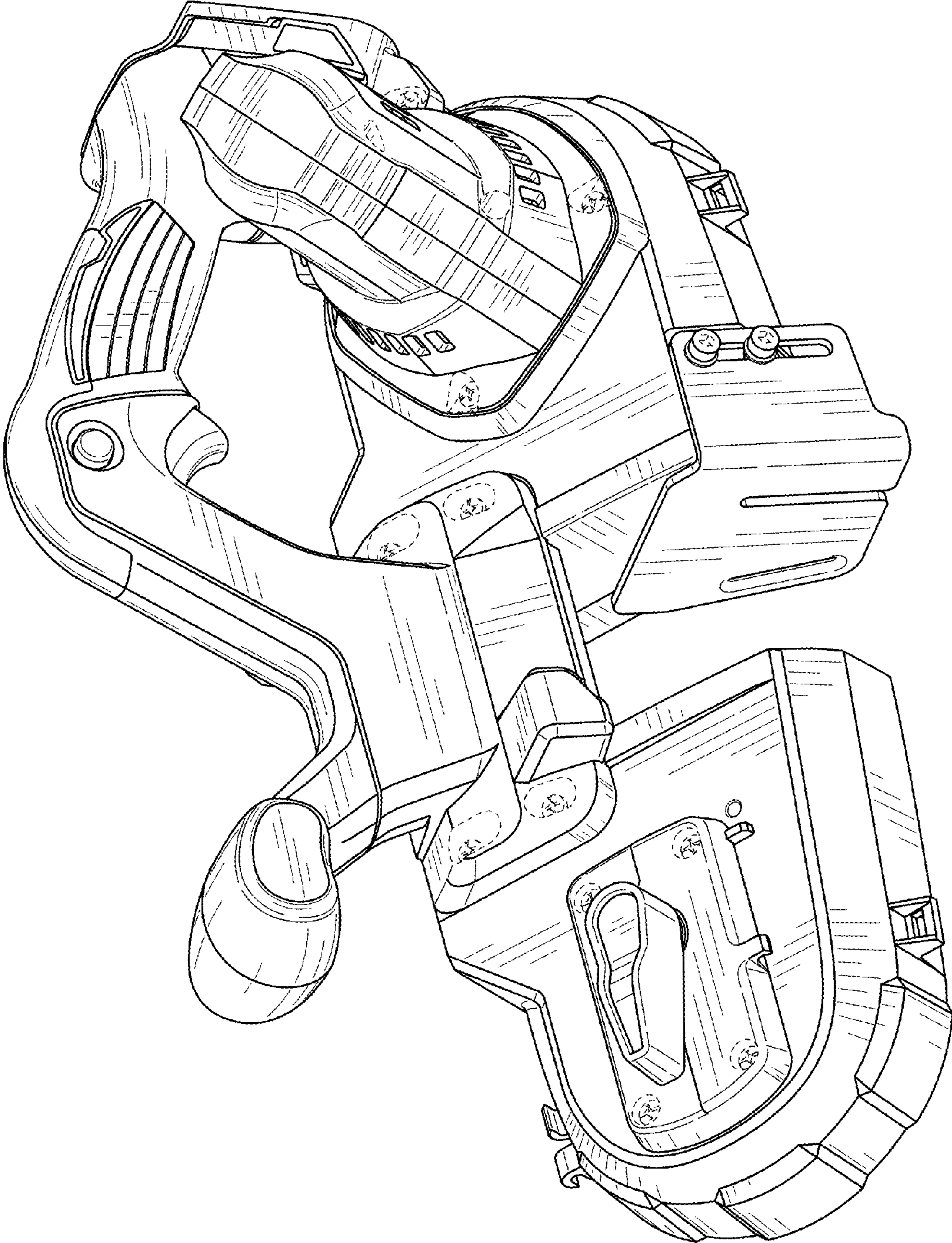


FIG. 1



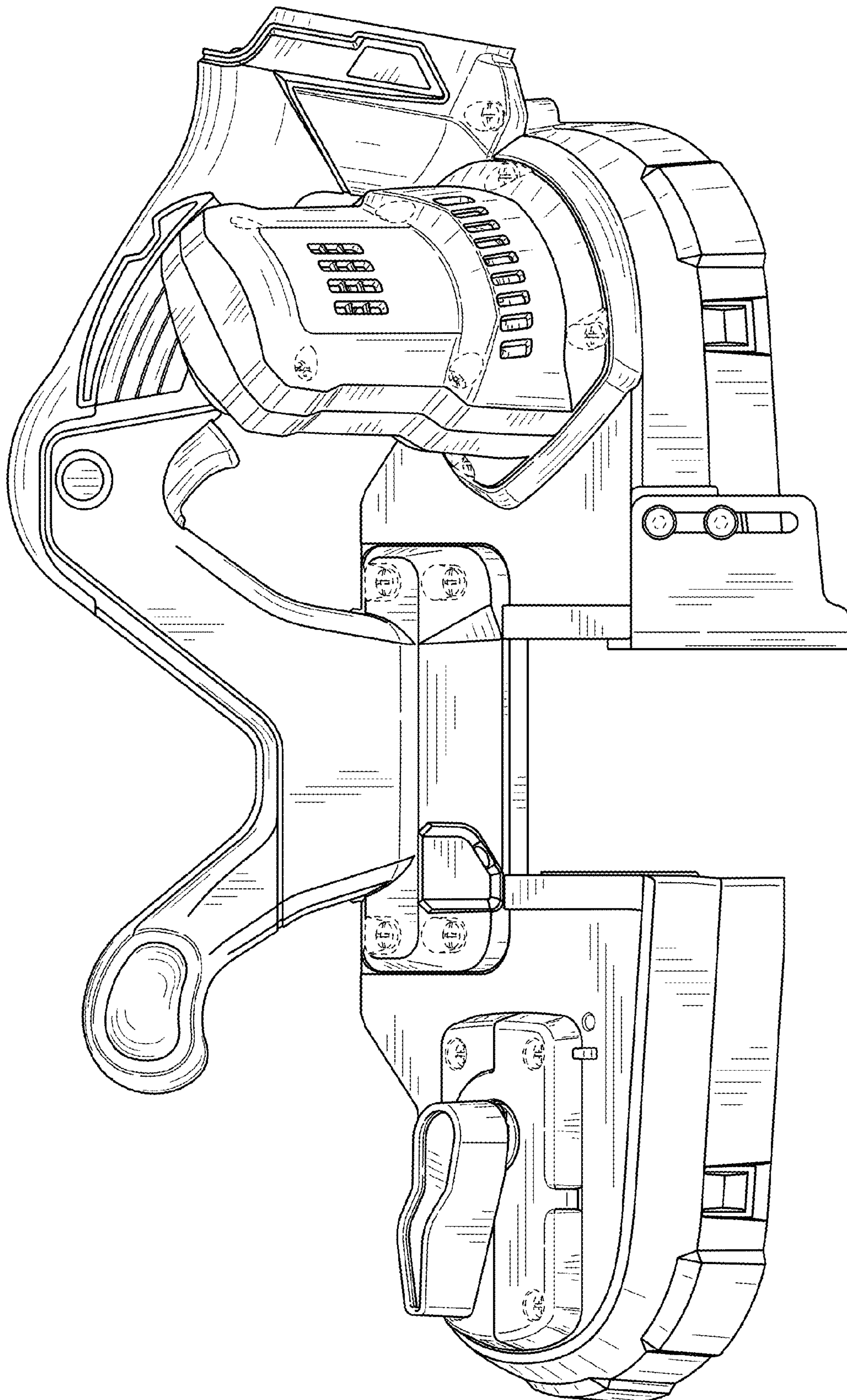


FIG. 2

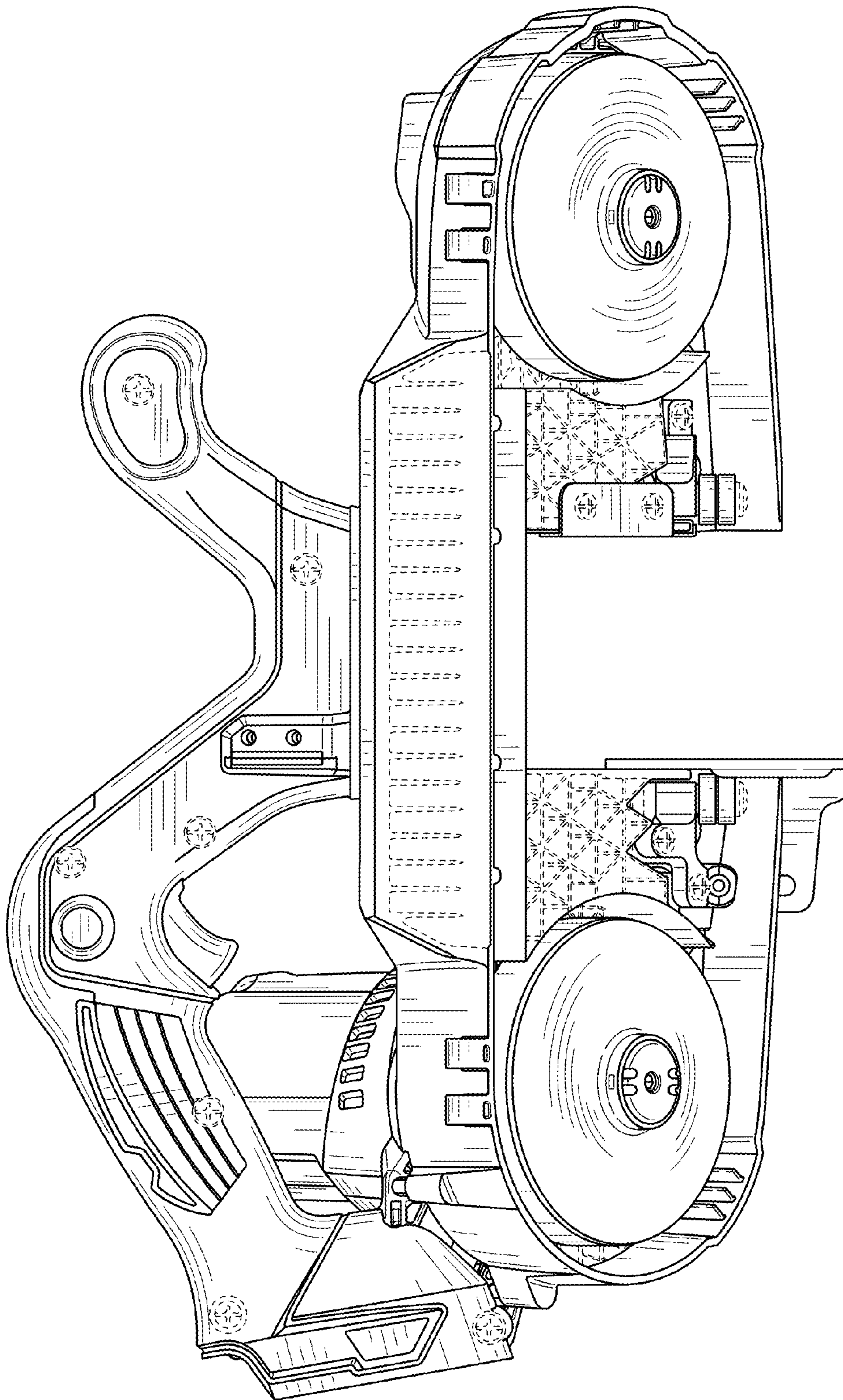


FIG. 3

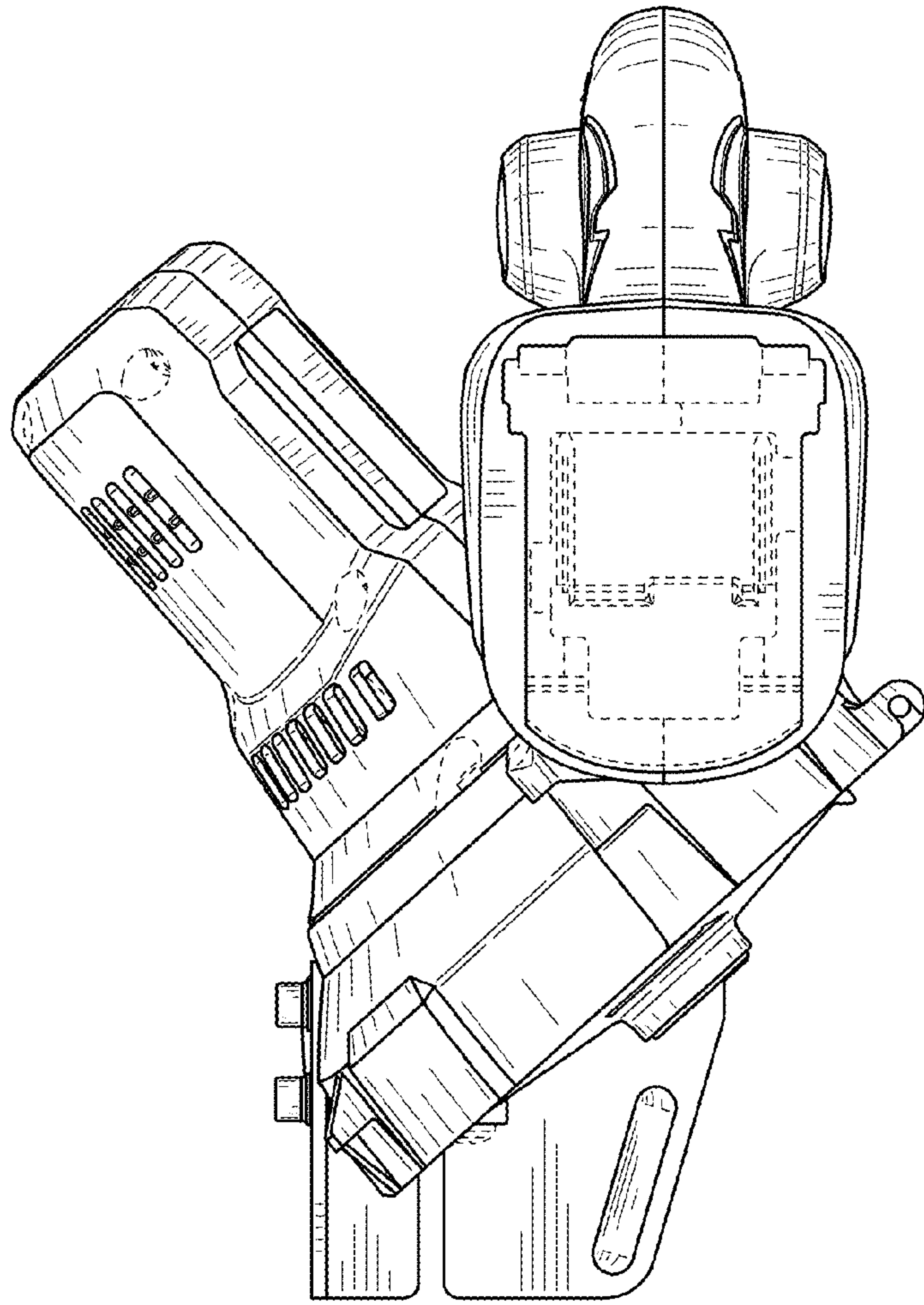


FIG. 4



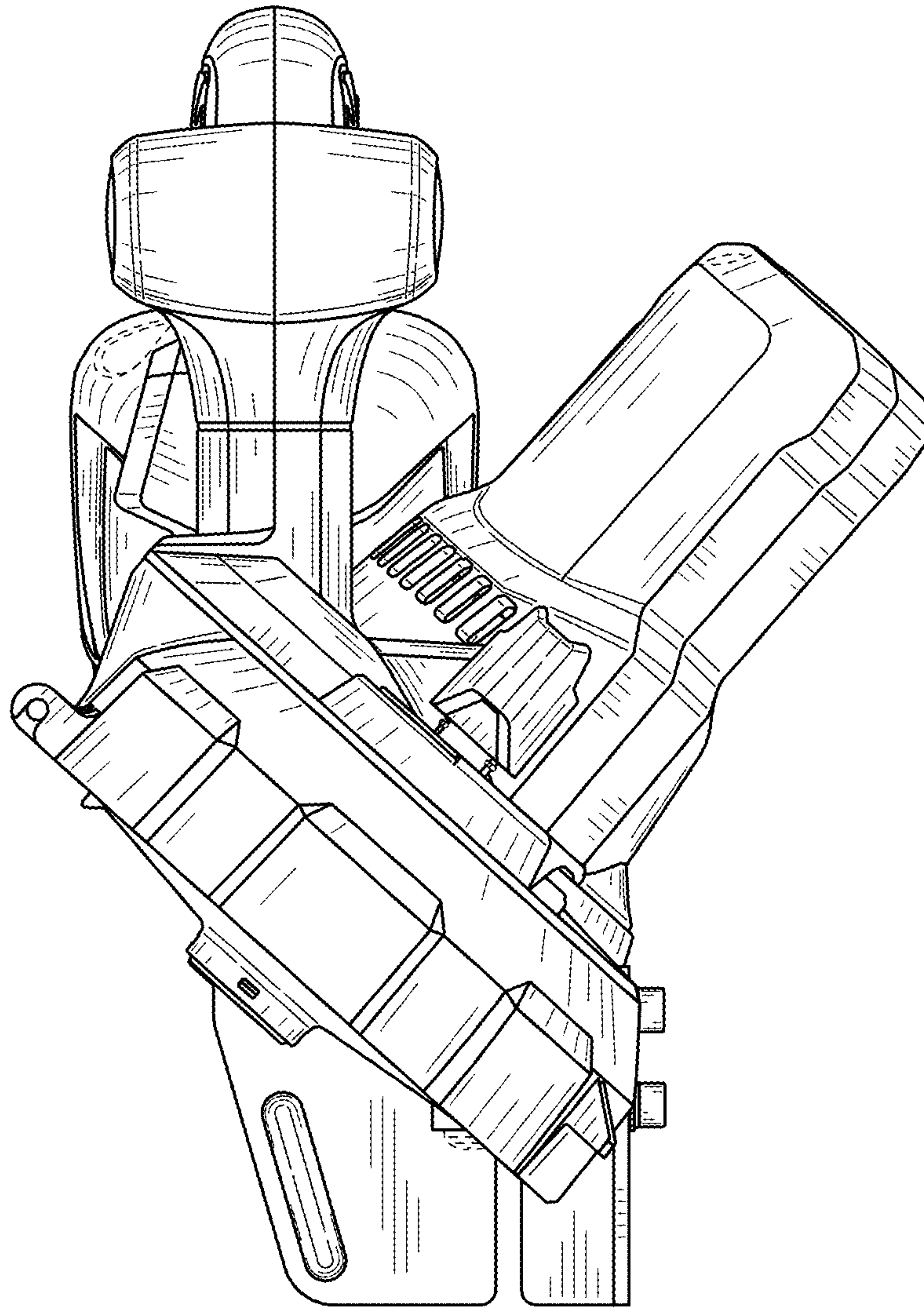


FIG. 5

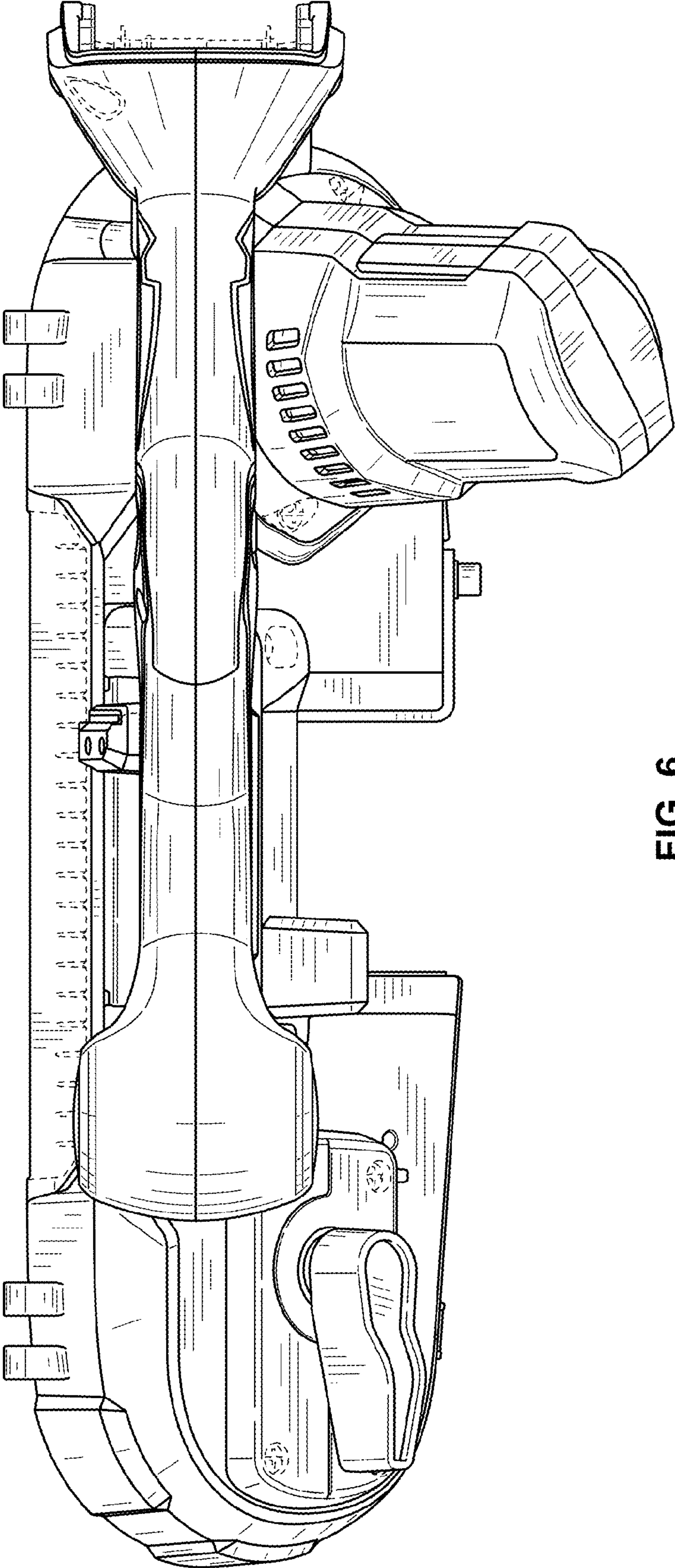


FIG. 6

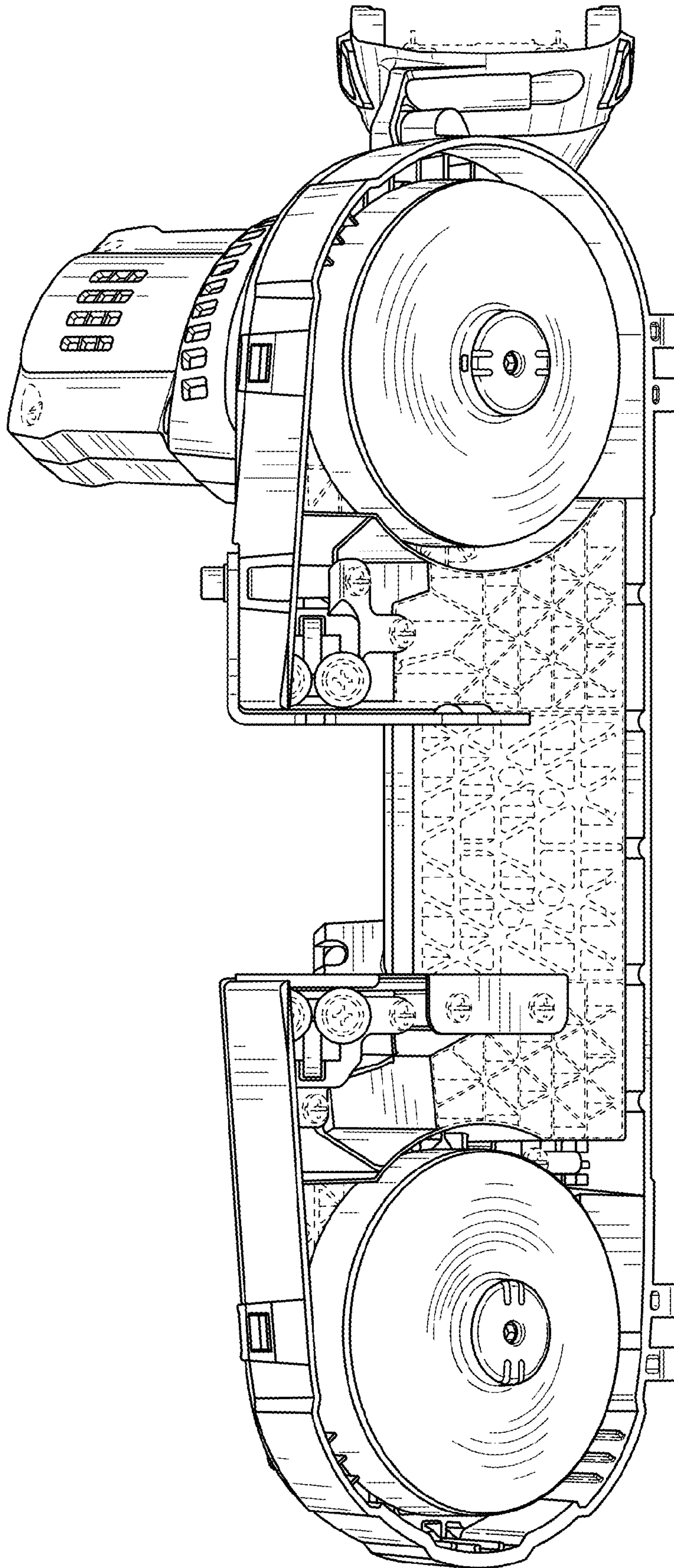


FIG. 7



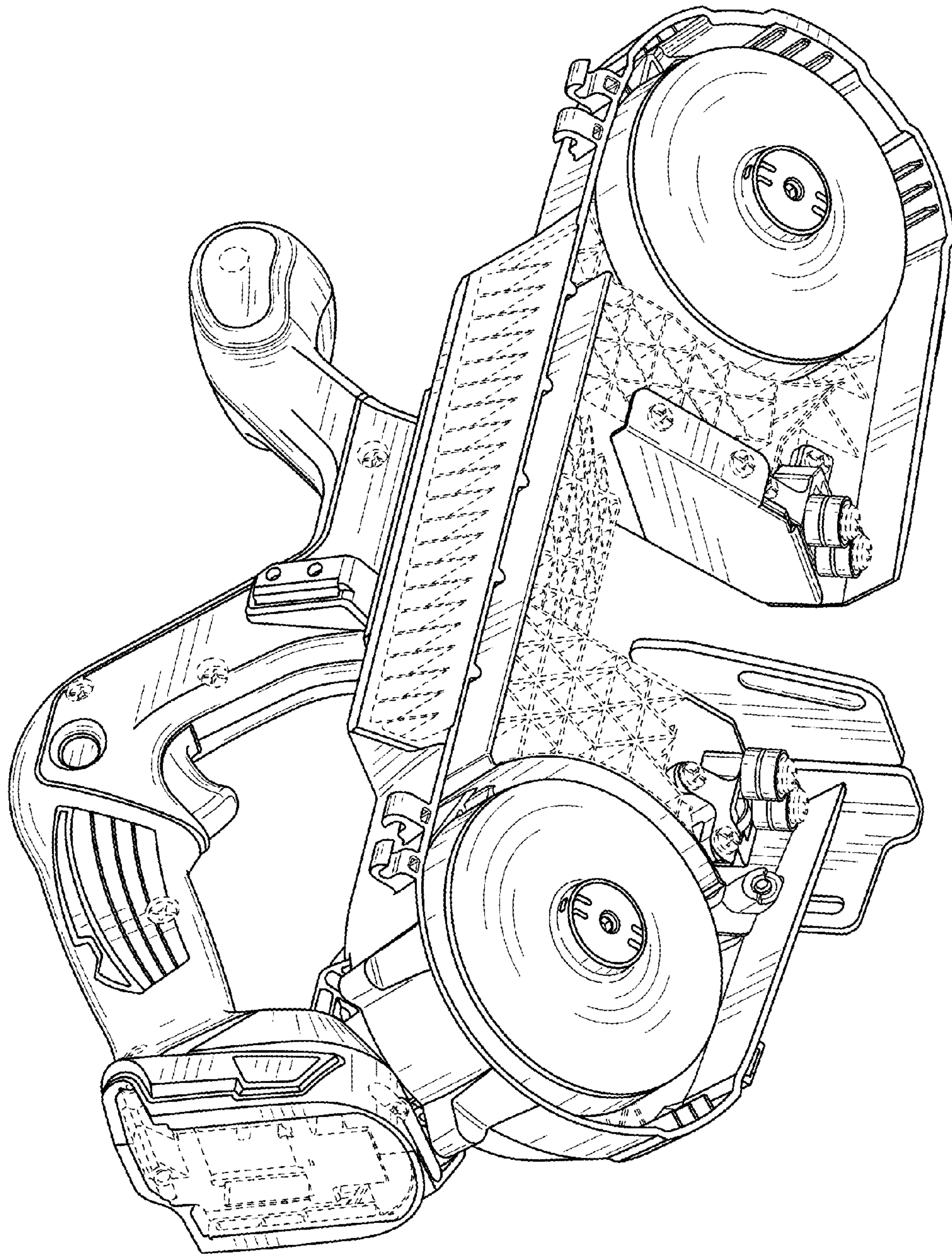


FIG. 8

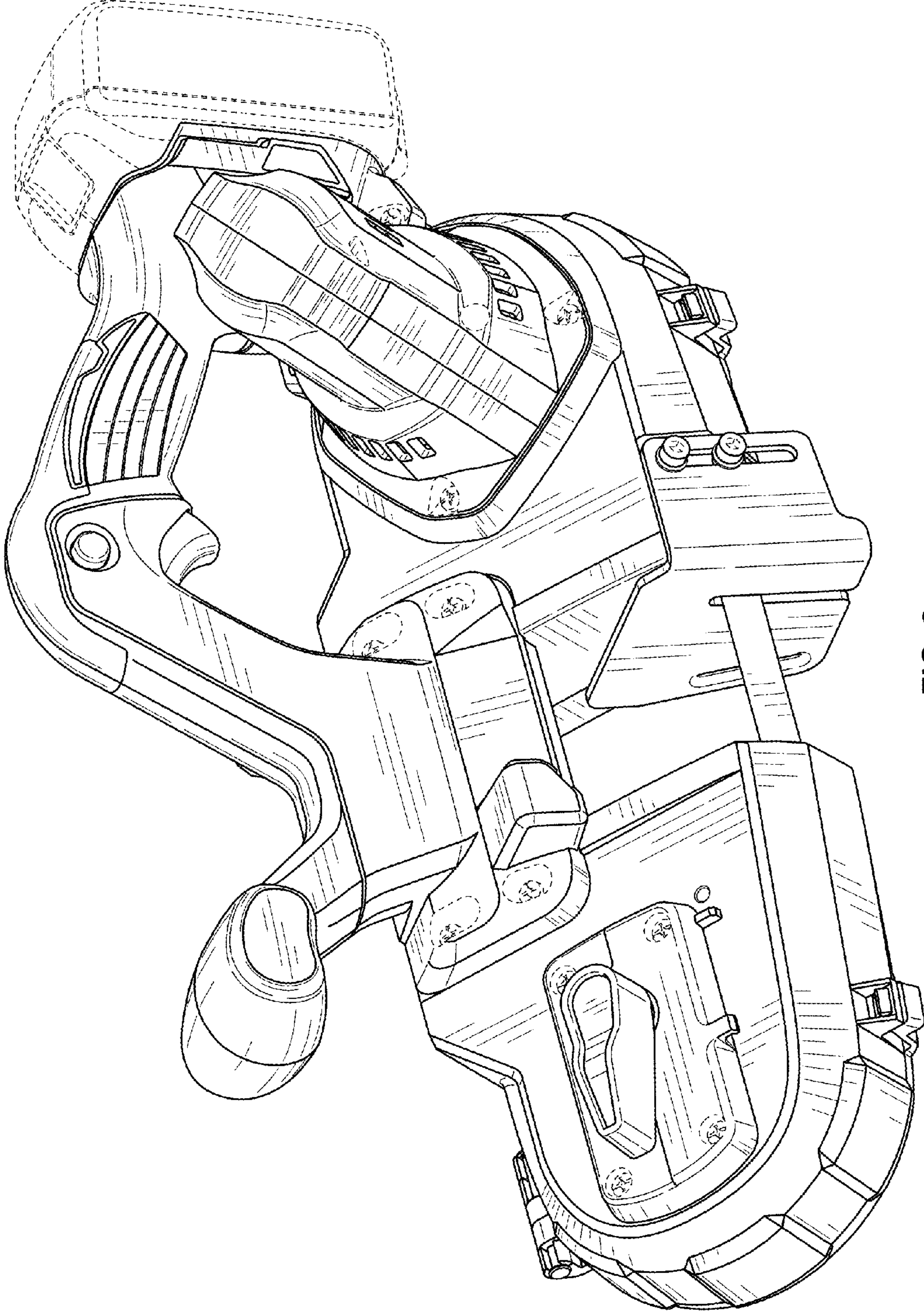


FIG. 9