



US00D711714S

(12) **United States Design Patent**
Sawaya

(10) **Patent No.:** **US D711,714 S**

(45) **Date of Patent:** **** Aug. 26, 2014**

(54) **HAND HELD MOTORIZED DEVICE**

(71) Applicant: **Bernard M. Sawaya**, Los Angeles, CA (US)

(72) Inventor: **Bernard M. Sawaya**, Los Angeles, CA (US)

(73) Assignee: **IScratch, Inc.**, Los Angeles, CA (US)

(**) Term: **14 Years**

(21) Appl. No.: **29/471,727**

(22) Filed: **Nov. 4, 2013**

(51) **LOC (10) Cl.** **08-01**

(52) **U.S. Cl.**
USPC **D8/61**

(58) **Field of Classification Search**
USPC D8/61, 62, 67, 69; 81/57, 57.11, 57.14,
81/57.26, 429, 464, 469; 173/2, 170, 176,
173/181

See application file for complete search history.

(56) **References Cited**

U.S. PATENT DOCUMENTS

D303,205 S *	9/1989	Gierke et al.	D8/61
D304,543 S *	11/1989	Somers et al.	D8/61
D391,820 S *	3/1998	Bunyea	D8/61
D423,897 S *	5/2000	Cooper	D8/61
D427,040 S *	6/2000	Heun	D8/61
D427,870 S *	7/2000	Heun	D8/61
D433,905 S *	11/2000	Cooper	D8/61

D446,431 S *	8/2001	Lui	D8/61
D577,974 S *	10/2008	Miller	D8/70
D586,195 S *	2/2009	Okuda	D8/61
D618,079 S *	6/2010	Blythe et al.	D8/61
7,866,235 B2 *	1/2011	Hi	81/177.8
D663,180 S *	7/2012	Jerome et al.	D8/61
D688,109 S *	8/2013	Vanderbeek et al.	D8/61
D689,354 S *	9/2013	Mitchell et al.	D8/61

* cited by examiner

Primary Examiner — Austin Murphy

(74) *Attorney, Agent, or Firm* — Adli Law Group P.C.

(57) **CLAIM**

I claim the ornamental design for a hand held motorized device, as shown and described.

DESCRIPTION

FIG. 1 is a front elevational view of a hand held motorized device according to the claimed design;
 FIG. 2 is a right view of a hand held motorized device according to the claimed design.
 FIG. 3 is a back view of a hand held motorized device according to the claimed design.
 FIG. 4 is a front view of a hand held motorized device according to the claimed design.
 FIG. 5 is a left view of a hand held motorized device according to the claimed design.
 FIG. 6 is a top view of a hand held motorized device according to the claimed design; and,
 FIG. 7 is a bottom view of a hand held motorized device according to the claimed design.

1 Claim, 4 Drawing Sheets

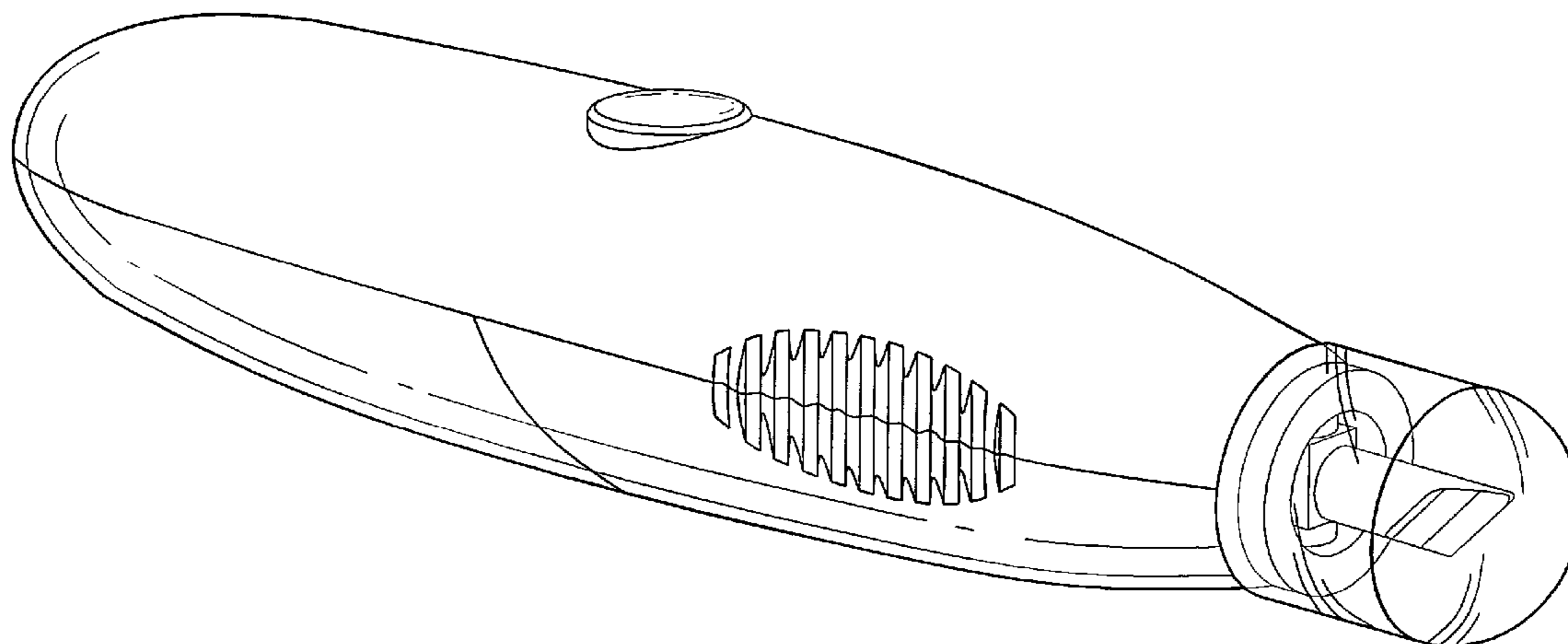
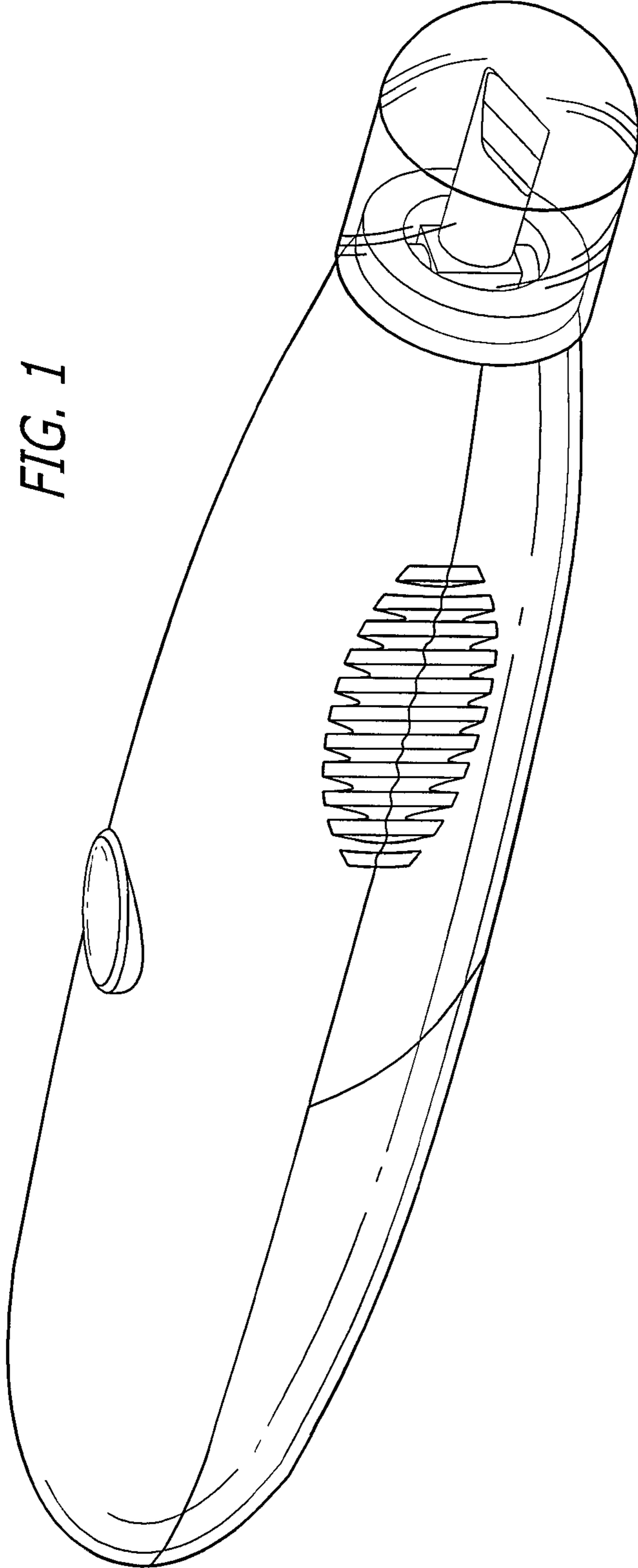


FIG. 1



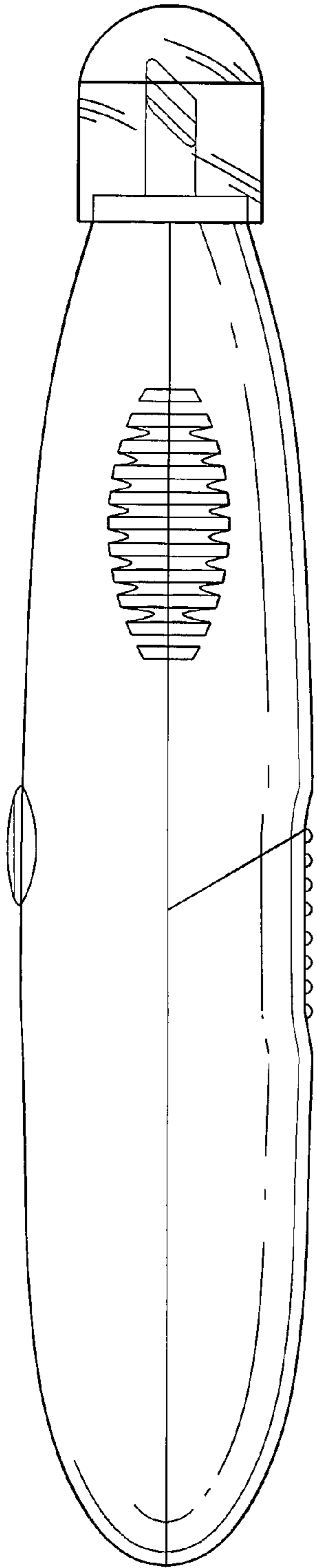


FIG. 2

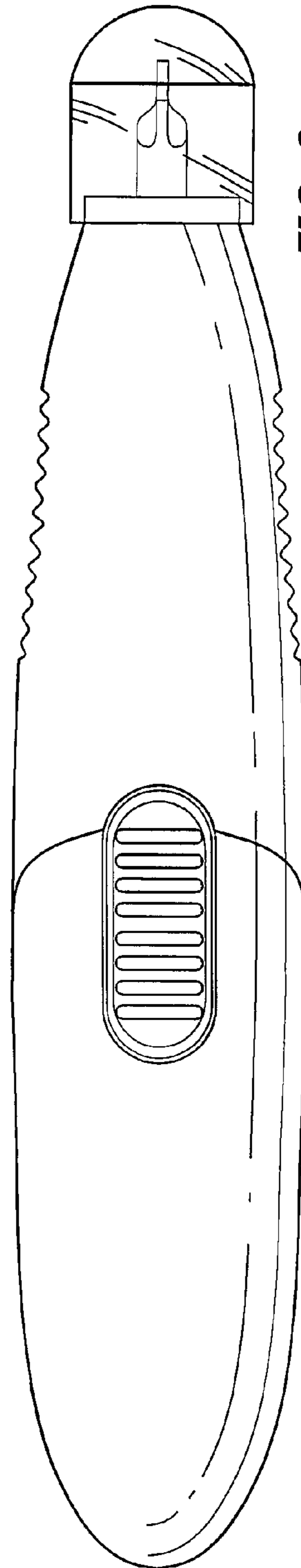


FIG. 3

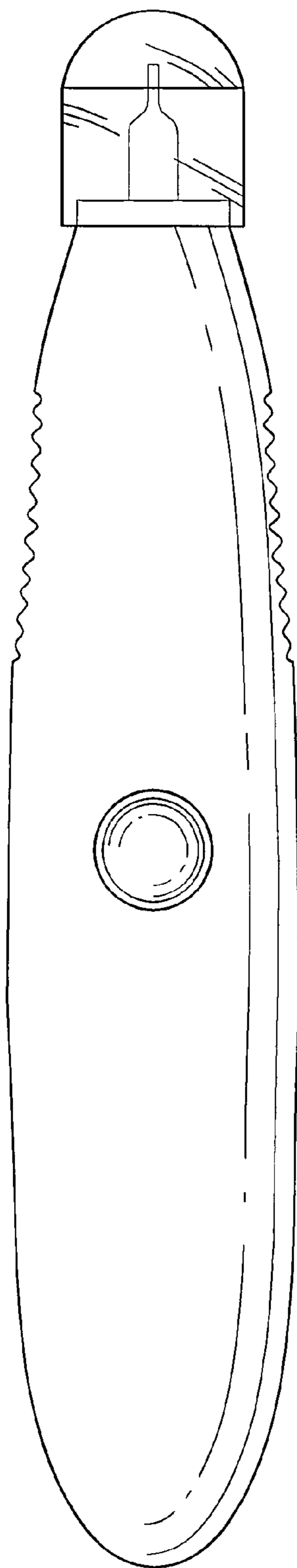


FIG. 4

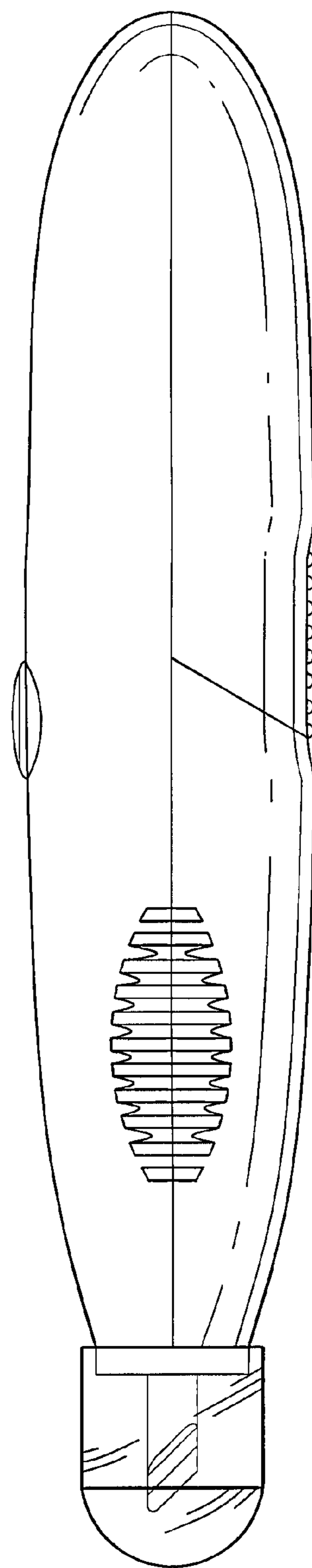


FIG. 5

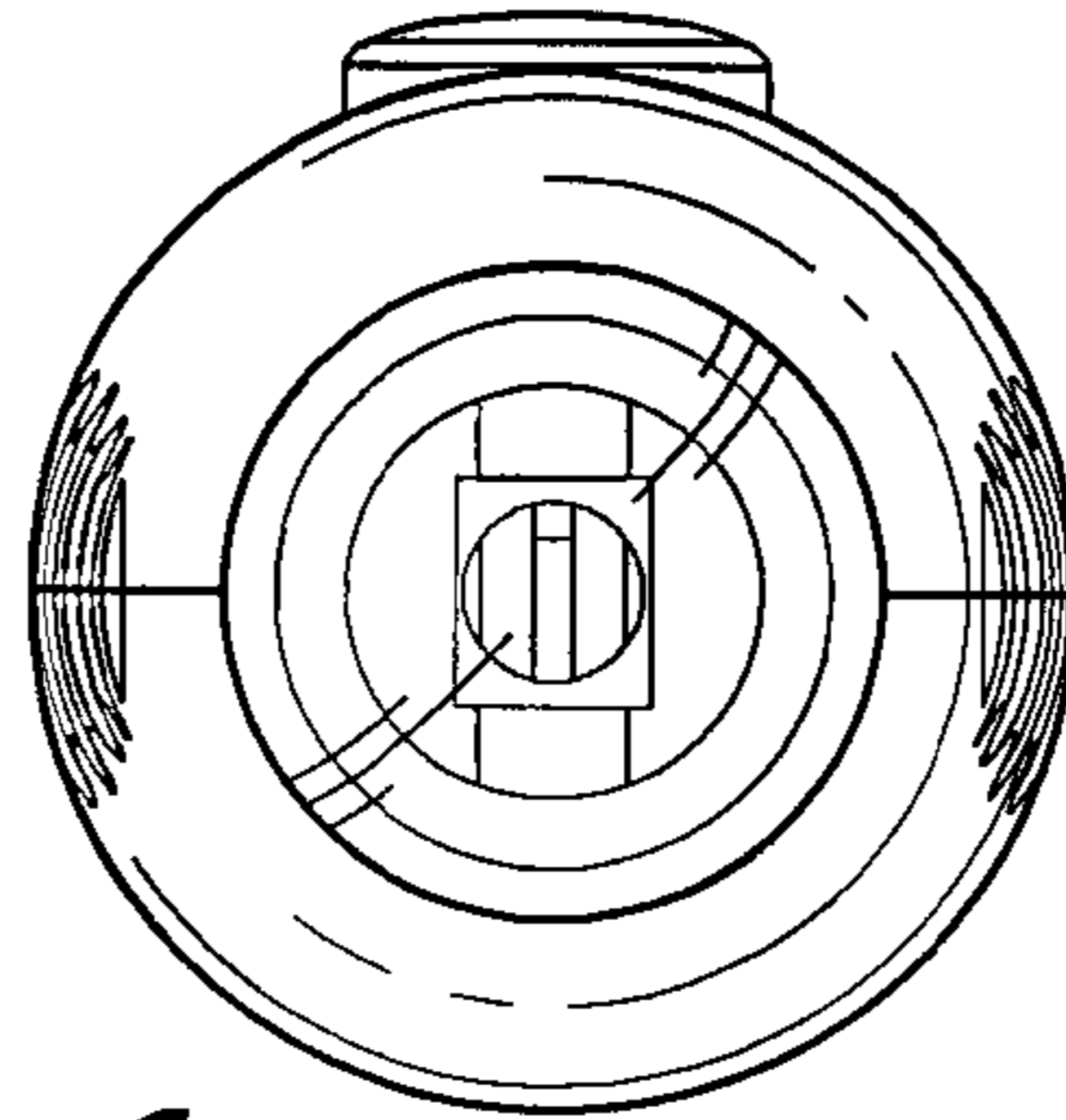


FIG. 6

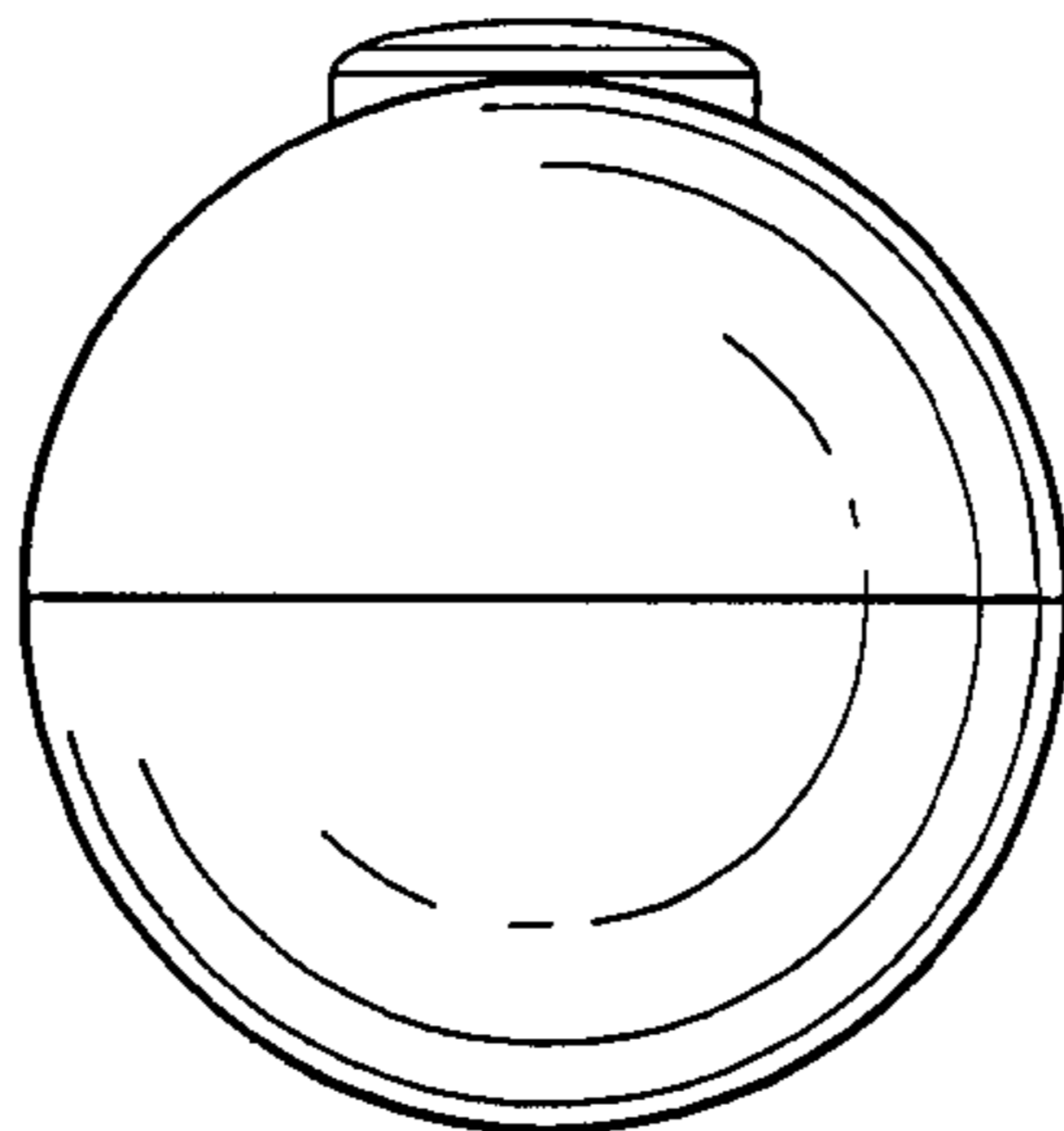


FIG. 7