



US00D711713S

(12) **United States Design Patent**  
**Albers**

(10) **Patent No.:** **US D711,713 S**

(45) **Date of Patent:** **\*\* Aug. 26, 2014**

(54) **EYEBROW SCISSORS**

(71) Applicant: **Luft Industrie, Inc.**, Oakland, CA (US)

(72) Inventor: **Oliver Albers**, Oakland, CA (US)

(73) Assignee: **Luft Industrie, Inc.**, Oakland, CA (US)

(\*\*) Term: **14 Years**

(21) Appl. No.: **29/438,860**

(22) Filed: **Dec. 4, 2012**

(51) **LOC (10) Cl.** ..... **08-03**

(52) **U.S. Cl.**

USPC ..... **D8/57**; D28/25; D28/44

(58) **Field of Classification Search**

USPC ..... D8/57; D28/44-44.2, 25; 30/233.5,  
30/195, 257, 30

See application file for complete search history.

(56) **References Cited**

**U.S. PATENT DOCUMENTS**

2,136,414	A *	11/1938	Clements	.....	606/174
D123,079	S *	10/1940	De Requesens	.....	D8/57
D207,388	S *	4/1967	Taylor	.....	D8/55
D314,248	S *	1/1991	Jokinen	.....	D28/25
D333,764	S *	3/1993	Osvaldo	.....	D8/57
D382,785	S *	8/1997	Kobayashi et al.	.....	D8/57
D417,376	S *	12/1999	Schmithorst	.....	D8/57

D427,037	S *	6/2000	Schmithorst	.....	D8/57
6,079,107	A *	6/2000	Horvath	.....	30/233.5
6,526,663	B1 *	3/2003	Simmons et al.	.....	30/233.5
D602,754	S *	10/2009	Bellisario	.....	D8/57
7,926,185	B2 *	4/2011	Sugawara	.....	30/233.5
7,954,245	B2 *	6/2011	Chen	.....	30/195
2007/0130780	A1 *	6/2007	Hobbs	.....	30/195
2008/0201962	A1 *	8/2008	Sugawara	.....	30/233.5

\* cited by examiner

*Primary Examiner* — Jennifer Rivard

(74) *Attorney, Agent, or Firm* — Onello & Mello, LLP

(57) **CLAIM**

An ornamental design for eyebrow scissors, as shown and described.

**DESCRIPTION**

FIG. 1 is a first side view of a pair of eyebrow scissors, in accordance with the present invention;

FIG. 2 is a second side view of the pair of eyebrow scissors of FIG. 1;

FIG. 3 is a top view of the pair of eyebrow scissors of FIG. 1;

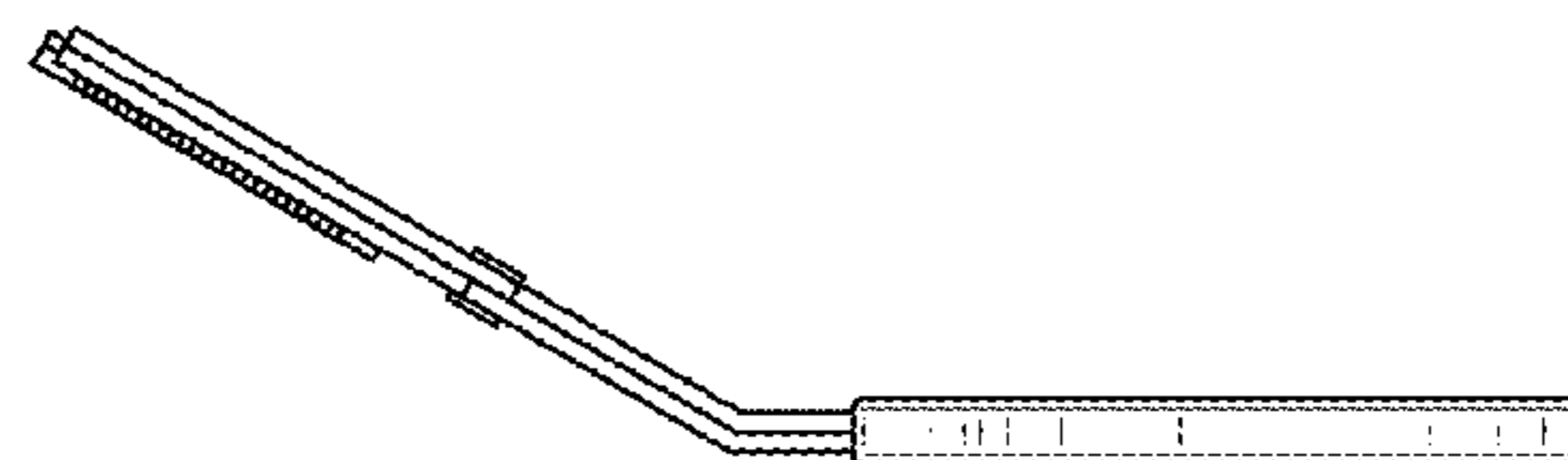
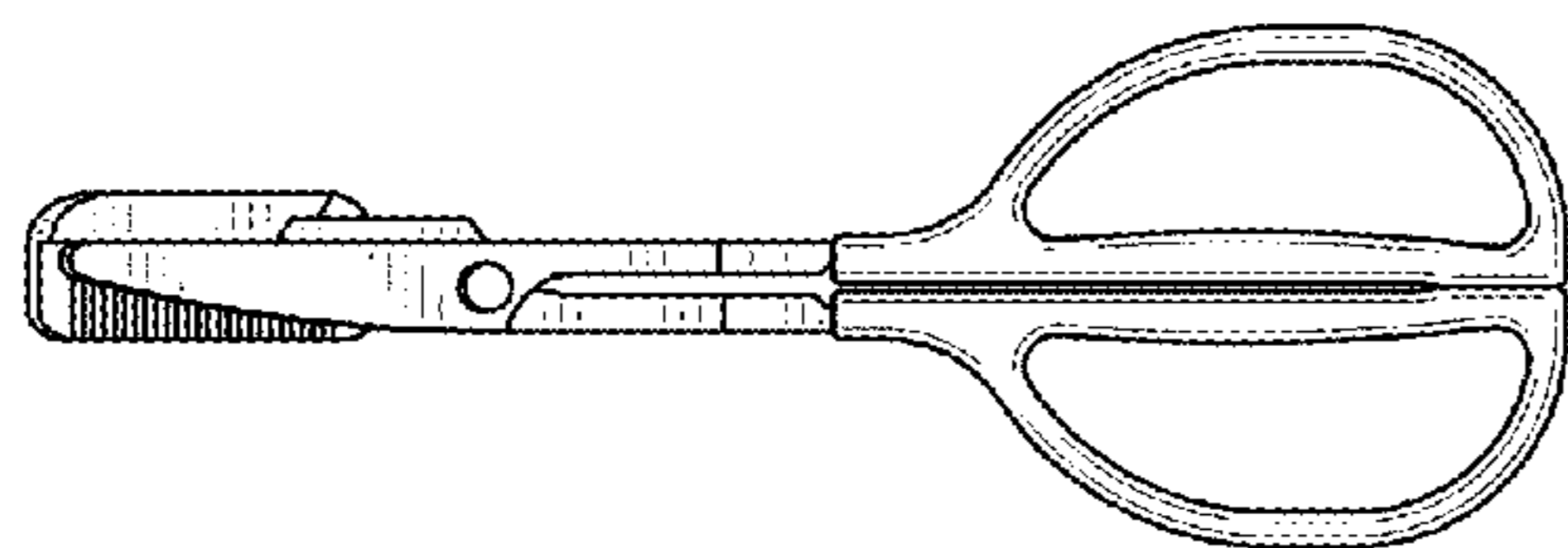
FIG. 4 is a bottom view of the pair of eyebrow scissors of FIG. 1;

FIG. 5 is a rear view of the pair of eyebrow scissors of FIG. 1;

FIG. 6 is a front view of the pair of eyebrow scissors of FIG. 1; and,

FIG. 7 is a perspective view of the pair of eyebrow scissors of FIG. 1 in an open position.

**1 Claim, 2 Drawing Sheets**



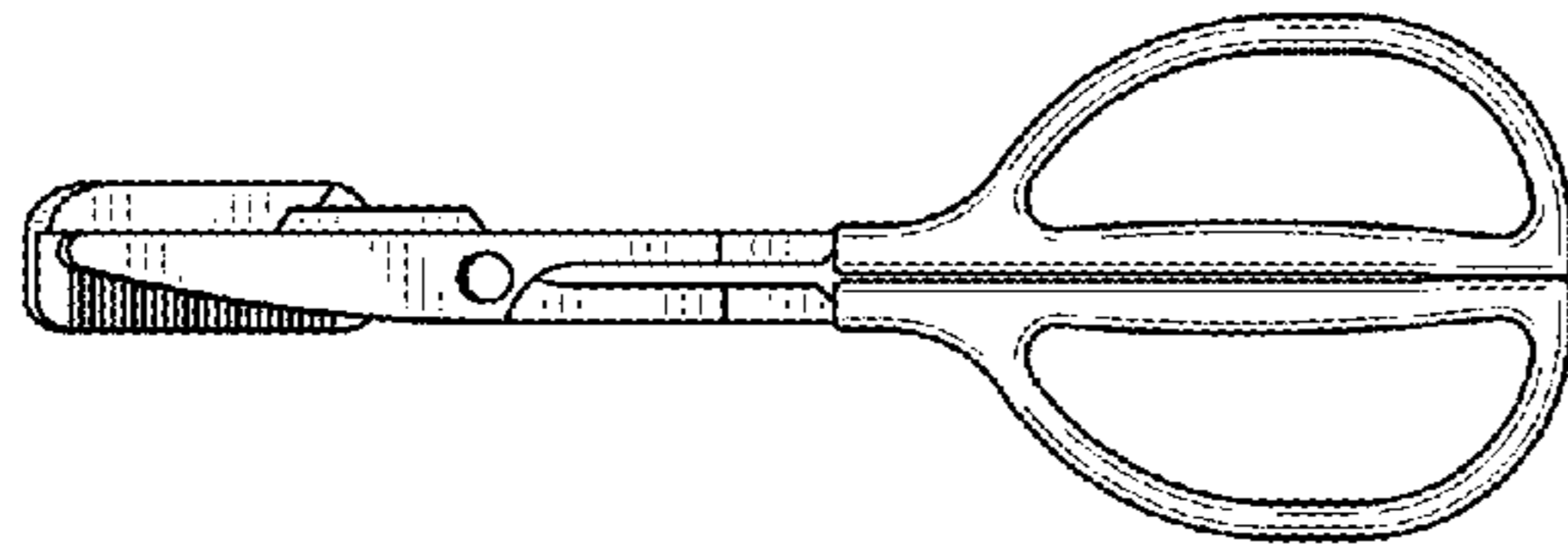


FIG. 1

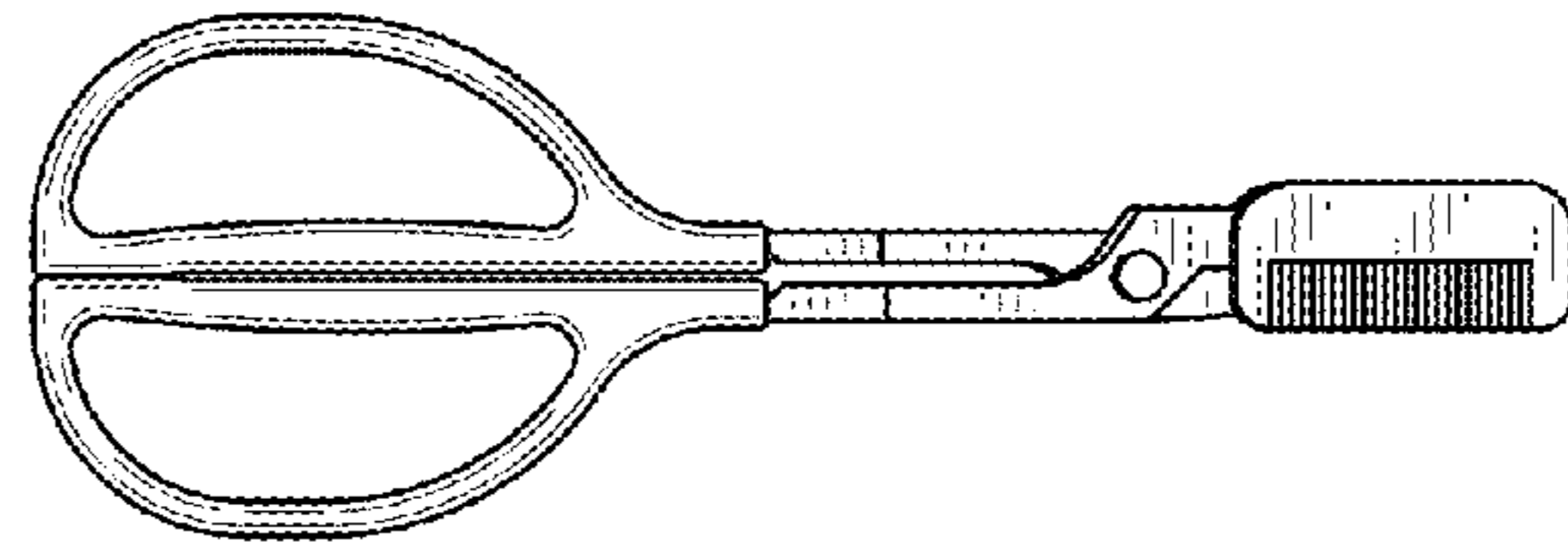


FIG. 2

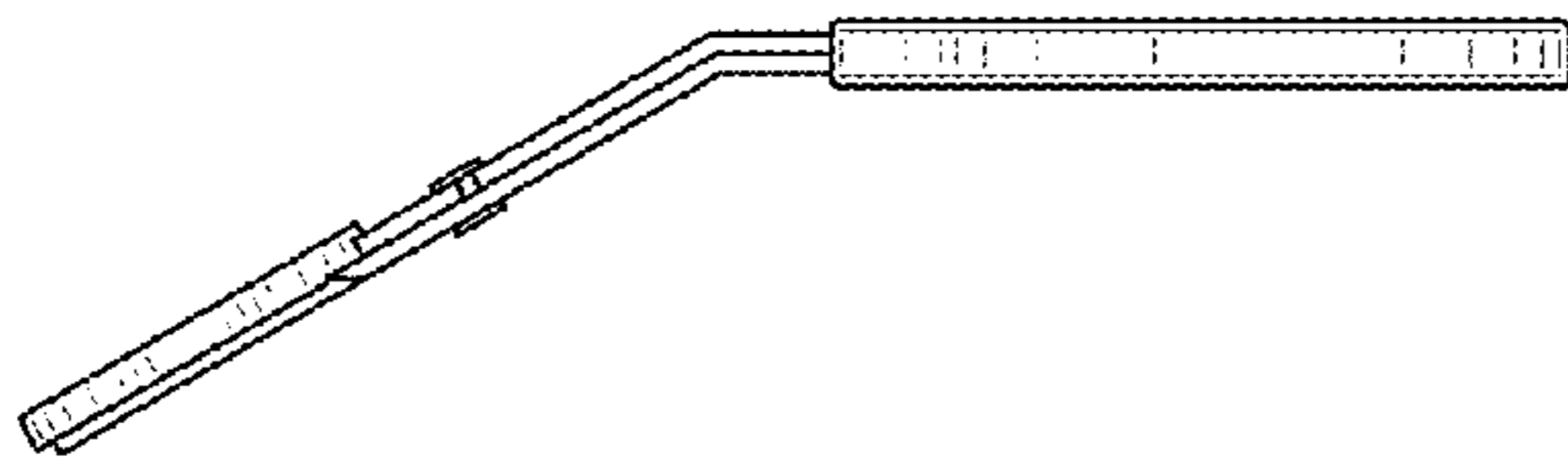


FIG. 3

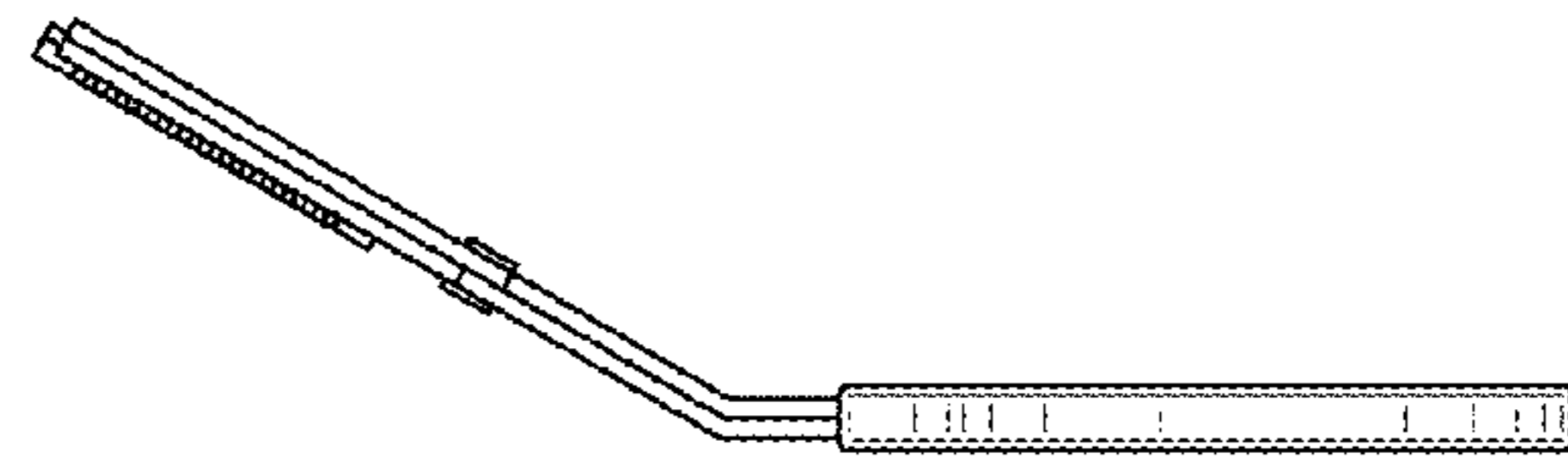


FIG. 4

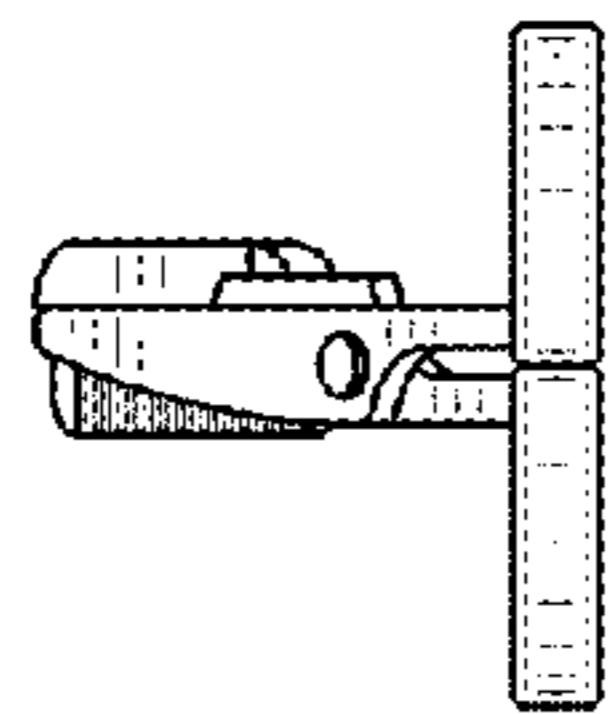


FIG. 5

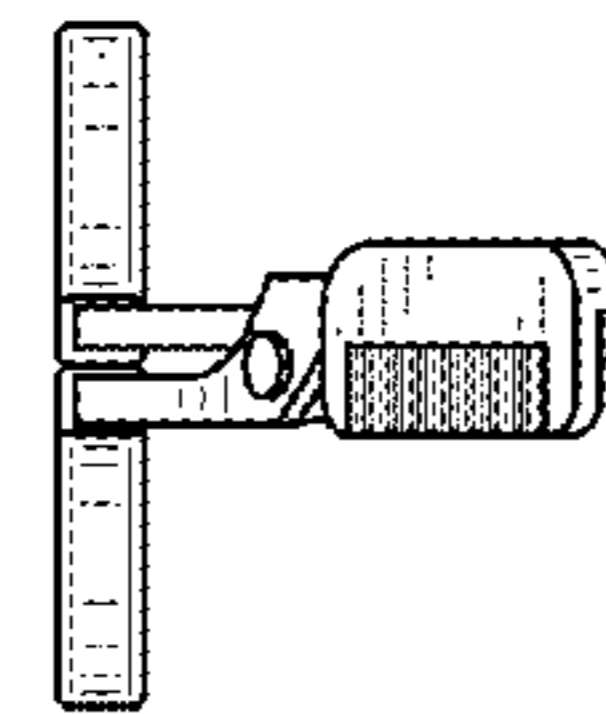


FIG. 6

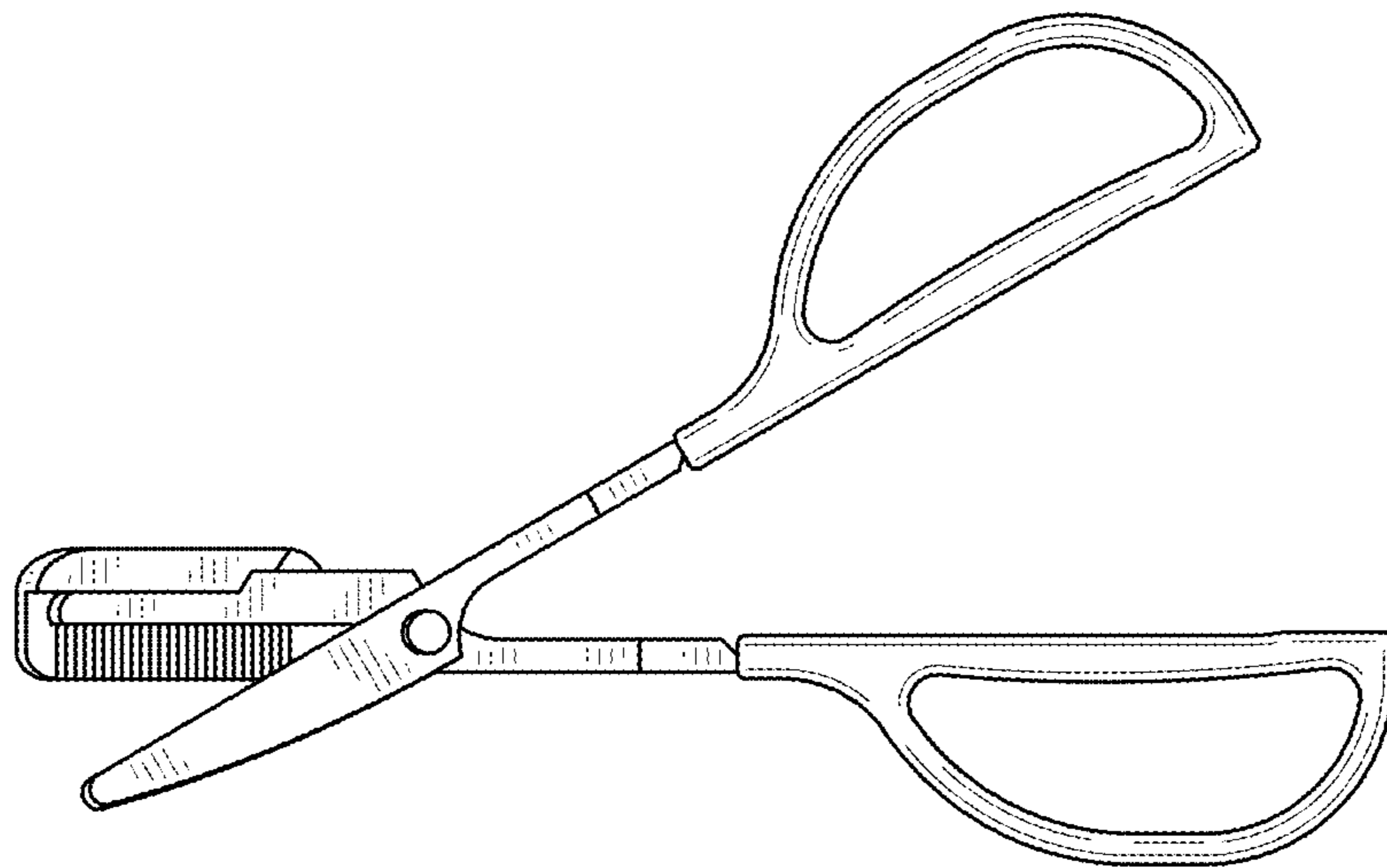


FIG. 7