



US00D711711S

(12) **United States Design Patent**  
**Phillips, Sr. et al.**

(10) **Patent No.:** **US D711,711 S**  
(45) **Date of Patent:** **\*\* Aug. 26, 2014**

- (54) **PLIERS**
- (71) Applicant: **Penn United Technologies, Inc.**, Cabot, PA (US)
- (72) Inventors: **Charles M. Phillips, Sr.**, Zelienople, PA (US); **Mark P. Noah**, Butler, PA (US)
- (73) Assignee: **Penn United Technologies, Inc.**, Cabot, PA (US)

6,161,455	A *	12/2000	Ping	81/358
6,327,943	B1 *	12/2001	Wrigley et al.	81/413
6,336,387	B1	1/2002	Lee	
6,647,835	B1	11/2003	Tseng	
7,299,724	B1 *	11/2007	Warheit	81/409.5
7,669,505	B2 *	3/2010	Campbell et al.	81/409
D679,158	S *	4/2013	Schleiminger et al.	D8/52
8,561,506	B2 *	10/2013	Buchanan et al.	81/407
8,677,865	B2 *	3/2014	Buchanan et al.	81/407
2009/0056510	A1 *	3/2009	Buchanan et al.	81/355
2014/0090525	A1 *	4/2014	Phillips et al.	81/387

(\*\*) Term: **14 Years**

(21) Appl. No.: **29/448,312**

(22) Filed: **Mar. 12, 2013**

(51) **LOC (10) Cl.** ..... **08-05**

(52) **U.S. Cl.**  
USPC ..... **D8/52**

(58) **Field of Classification Search**  
CPC ..... B25B 7/04; B25B 7/10  
USPC ..... D8/4, 5, 14, 51, 52, 53-58, 60,  
D8/105-107; 81/300, 385, 393, 415-424,  
81/424.5, 426, 426.5, 427, 427.5, 405,  
81/407-409, 411

See application file for complete search history.

(56) **References Cited**

**U.S. PATENT DOCUMENTS**

4,813,310	A	3/1989	Moynihan	
5,113,727	A	5/1992	Foster	
D370,161	S *	5/1996	Snyder	D8/52
6,026,716	A *	2/2000	Orlosky	81/360

\* cited by examiner

*Primary Examiner* — Deanna L Pratt

*Assistant Examiner* — Harold Blackwell, II

(74) *Attorney, Agent, or Firm* — Eckert Seamans Cherin & Mellott, LLC; David C. Jenkins

(57) **CLAIM**

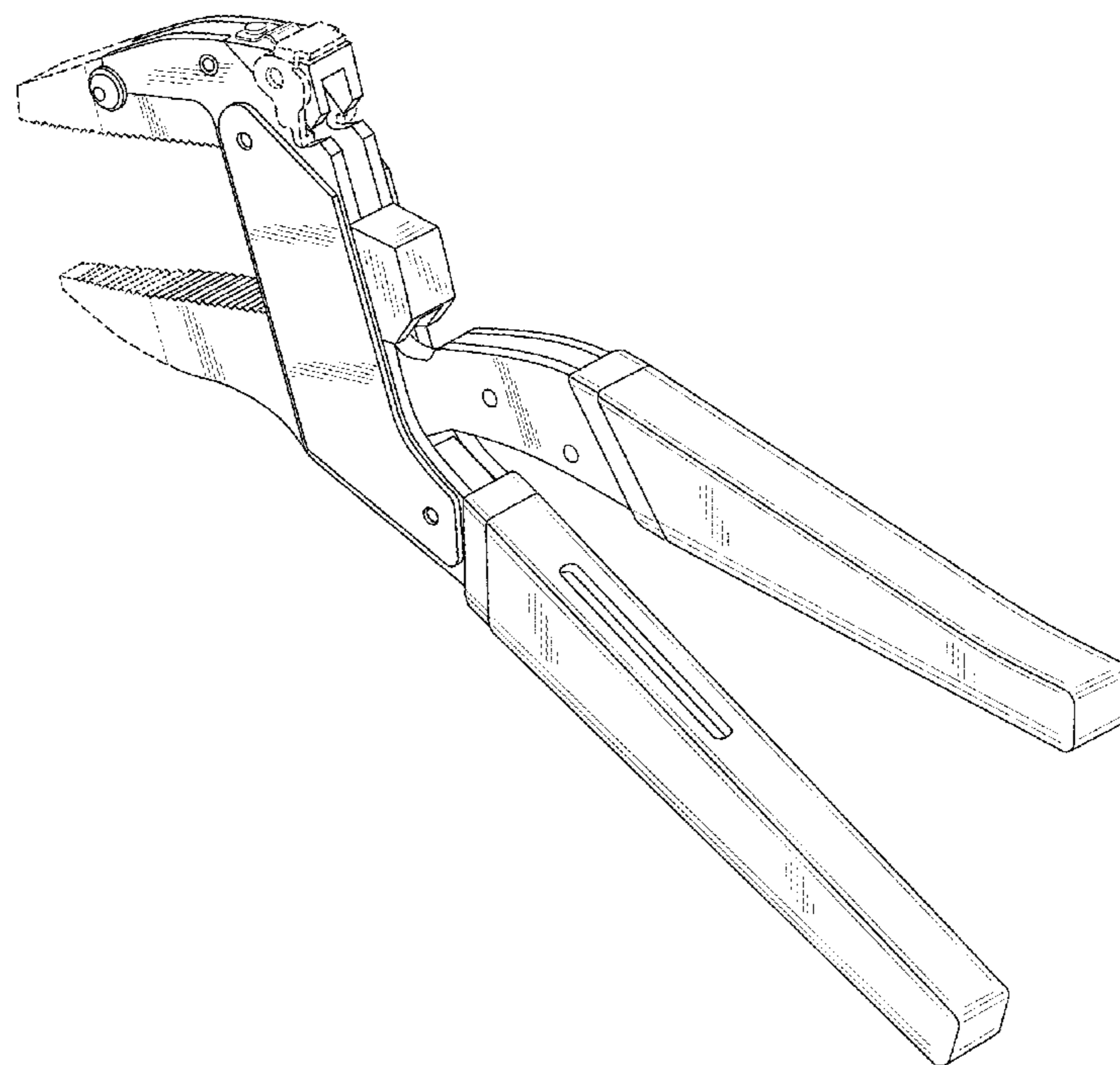
The ornamental design for pliers, as shown and described.

**DESCRIPTION**

FIG. 1 is an isometric view of the pliers;  
FIG. 2 is a front side view of the pliers;  
FIG. 3 is a back side view of the pliers;  
FIG. 4 is a right side view of the pliers;  
FIG. 5 is a left side view of the pliers;  
FIG. 6 is a bottom view of the pliers; and,  
FIG. 7 is a top view of the pliers.

The broken lines in the drawings illustrate portions of the pliers which form no part of the claimed design.

**1 Claim, 5 Drawing Sheets**



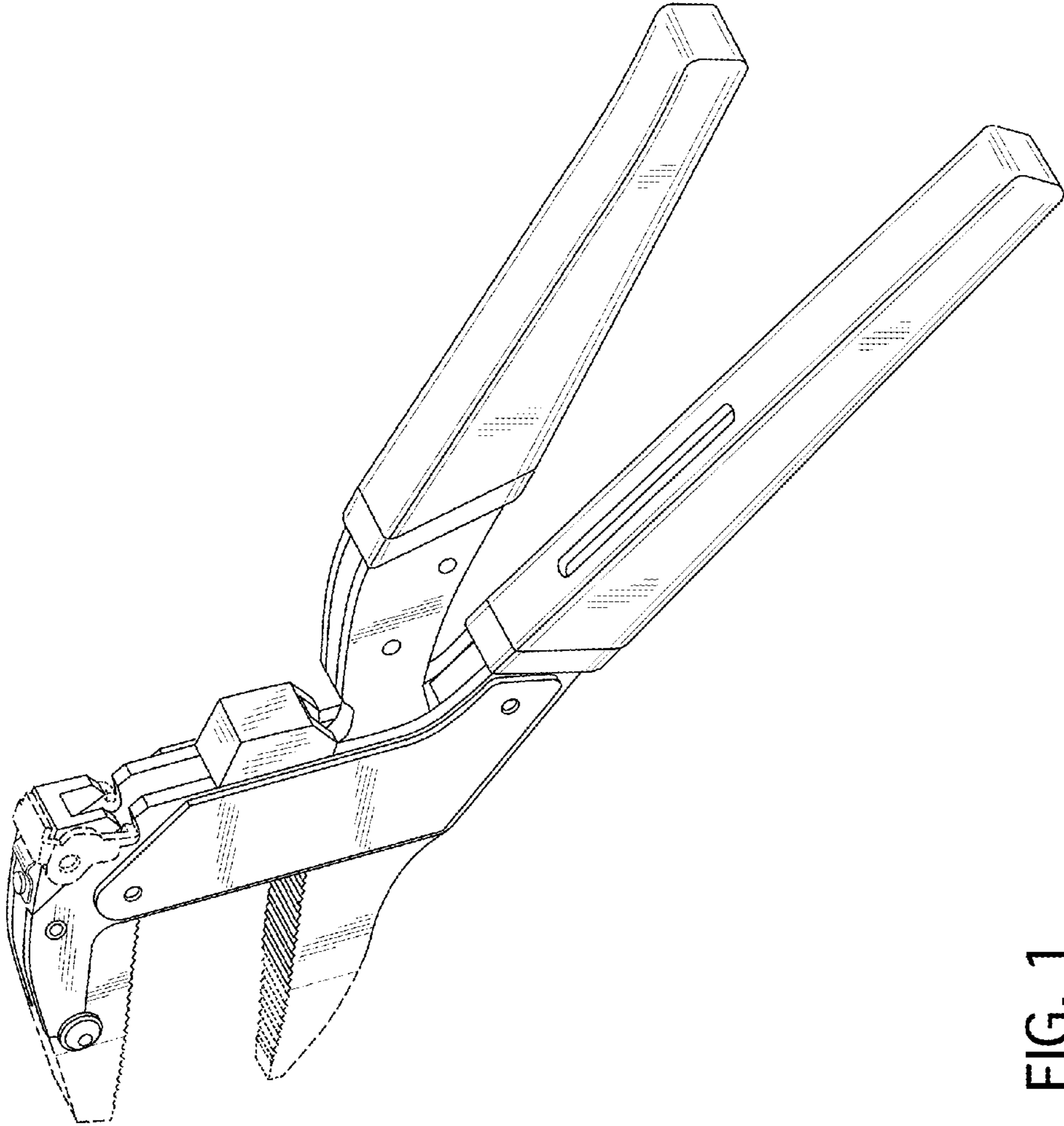


FIG. 1

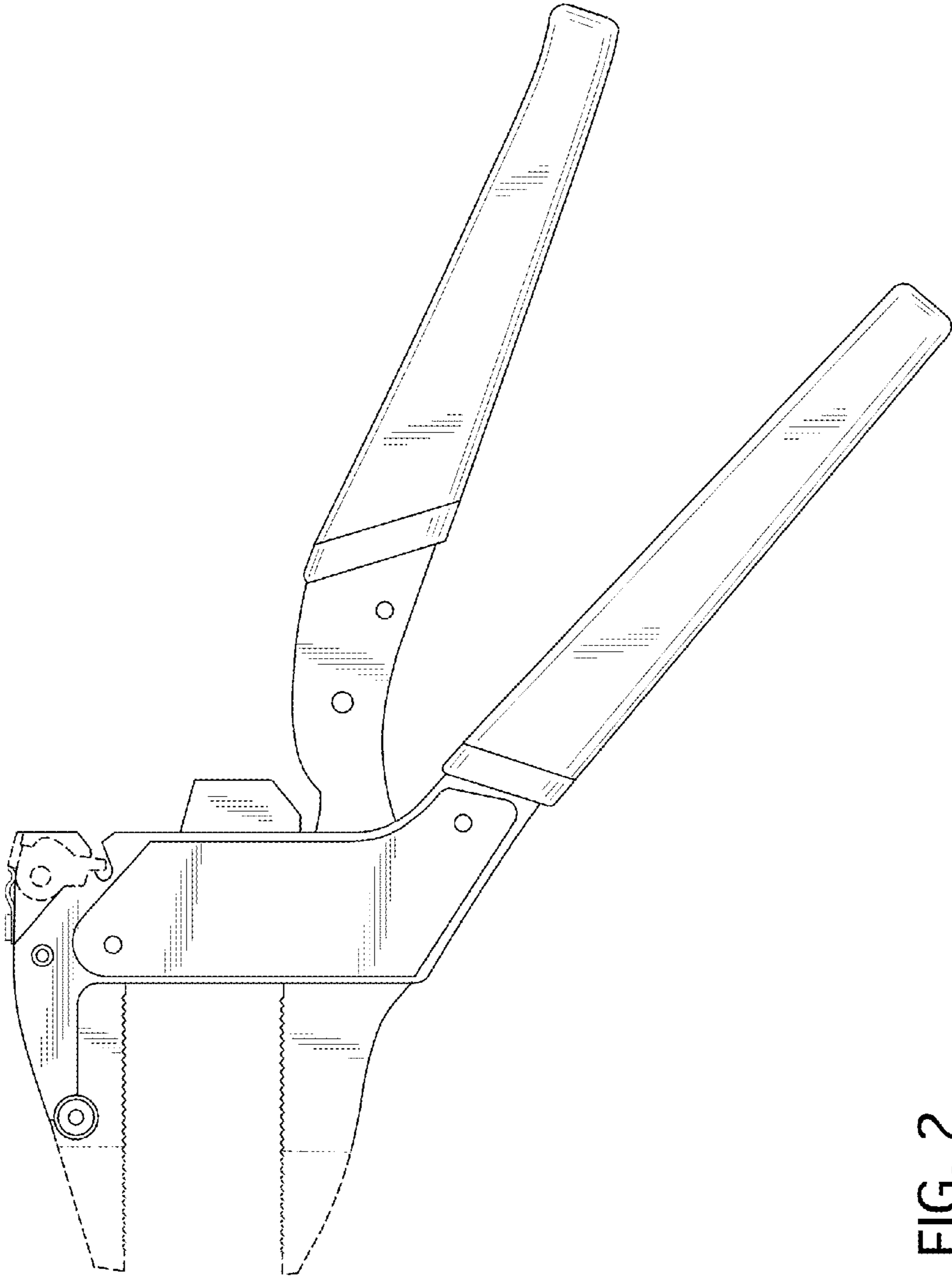


FIG. 2

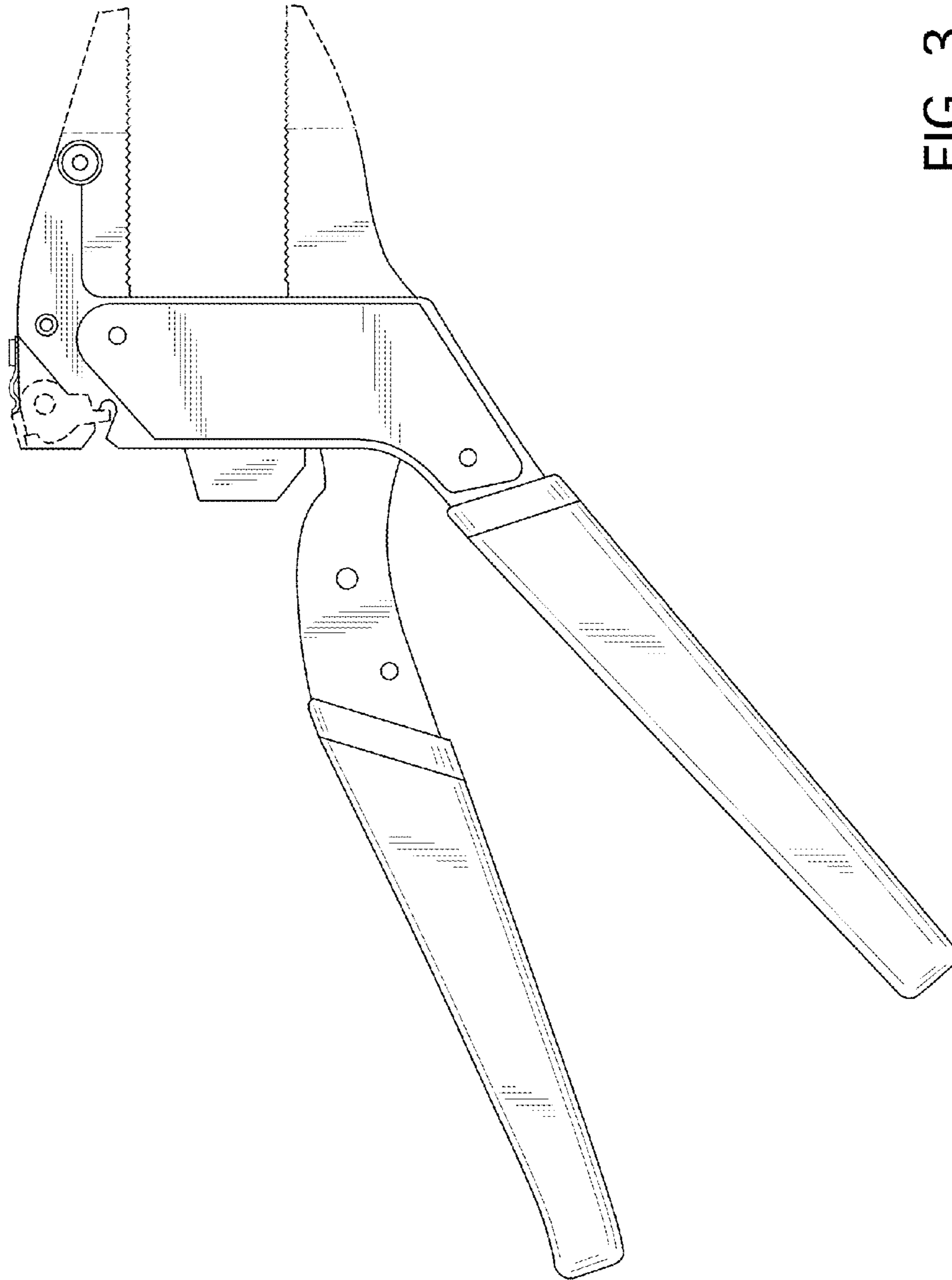


FIG. 3

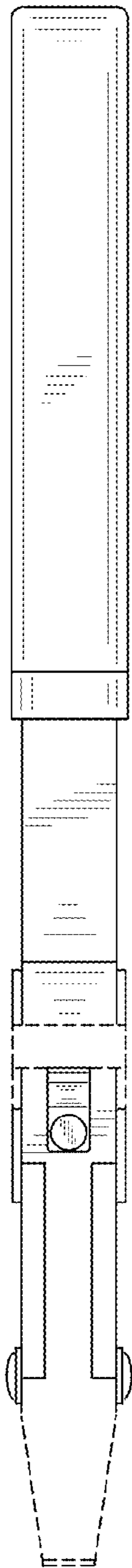


FIG. 4

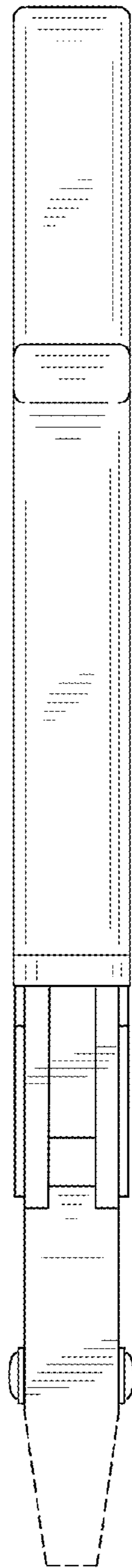


FIG. 5

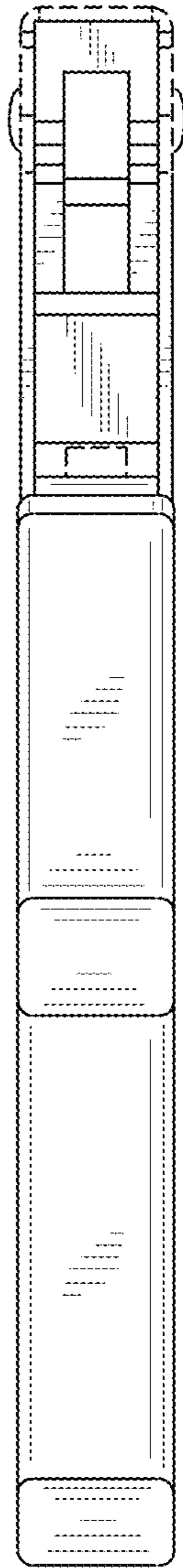


FIG. 6

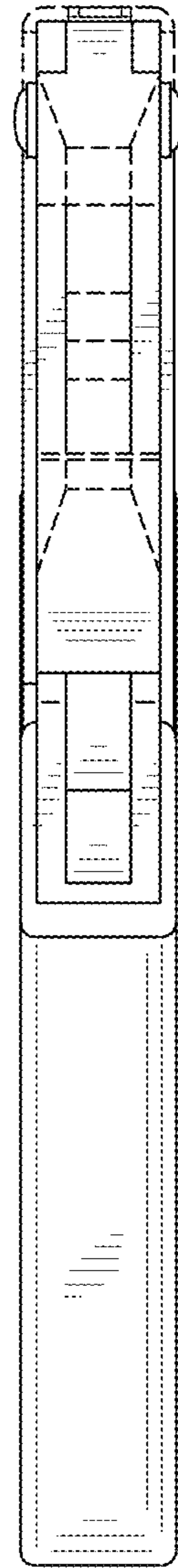


FIG. 7