



US00D711710S

(12) **United States Design Patent**
Greiner

(10) **Patent No.:** **US D711,710 S**

(45) **Date of Patent:** **** Aug. 26, 2014**

(54) **OPENER**

(71) Applicant: **MOHA Moderne Haushaltswaren AG,**
Vernier (CH)

(72) Inventor: **Ulrich Greiner,** Neu-Ulm (DE)

(73) Assignee: **MOHA Moderne Haushaltswaren AG,**
Vernier (CH)

(**) Term: **14 Years**

(21) Appl. No.: **29/458,367**

(22) Filed: **Jun. 19, 2013**

(30) **Foreign Application Priority Data**

Dec. 19, 2012 (WO) DM/080 301

(51) **LOC (10) Cl.** **07-99**

(52) **U.S. Cl.**
USPC **D8/40**

(58) **Field of Classification Search**
USPC D8/16, 18, 33-43, 88-89, 99; D11/134,
D11/136, 157, 158, 160; 7/151-156;
30/416, 417, 418; 81/3.07, 3.09, 3.27,
81/3.31, 3.35, 3.4, 3.48, 3.55
See application file for complete search history.

(56) **References Cited**

U.S. PATENT DOCUMENTS

RE27,504 E * 10/1972 Smith 30/418
5,121,546 A * 6/1992 Chong 30/418
D404,270 S * 1/1999 Chang D8/40
D406,027 S * 2/1999 So D8/39

6,094,828 A * 8/2000 Chong 30/417
D441,626 S * 5/2001 Greiner D8/41
D456,227 S * 4/2002 Tse D8/33
D459,962 S * 7/2002 Chong D8/40
D466,771 S * 12/2002 Chang D8/41
D471,412 S * 3/2003 Greiner D8/41
6,618,886 B2 * 9/2003 Herren 7/152
6,829,832 B2 * 12/2004 Chang 30/417
D501,772 S * 2/2005 Overthun et al. D8/40
D510,690 S * 10/2005 Greiner D8/40
D513,950 S * 1/2006 So D8/40
D522,824 S * 6/2006 McGuyer D8/41
7,121,009 B2 * 10/2006 Robbins et al. 30/418
D537,687 S * 3/2007 Parlowski et al. D8/41
8,046,922 B2 * 11/2011 Eby et al. 30/151
D693,195 S * 11/2013 Poure D8/43
2006/0179669 A1 * 8/2006 Robbins et al. 30/418
2008/0010839 A1 * 1/2008 Eby et al. 30/319

* cited by examiner

Primary Examiner — Elizabeth Albert

(74) *Attorney, Agent, or Firm* — Fleit Gibbons Gutman
Bongini & Blanco PL; Marty Fleit; Paul D. Bianco

(57) **CLAIM**

The ornamental design for an opener, as shown and described.

DESCRIPTION

FIG. 1 is a perspective view of an opener of the subject invention;

FIG. 2 is a top view thereof;

FIG. 3 is a bottom view thereof;

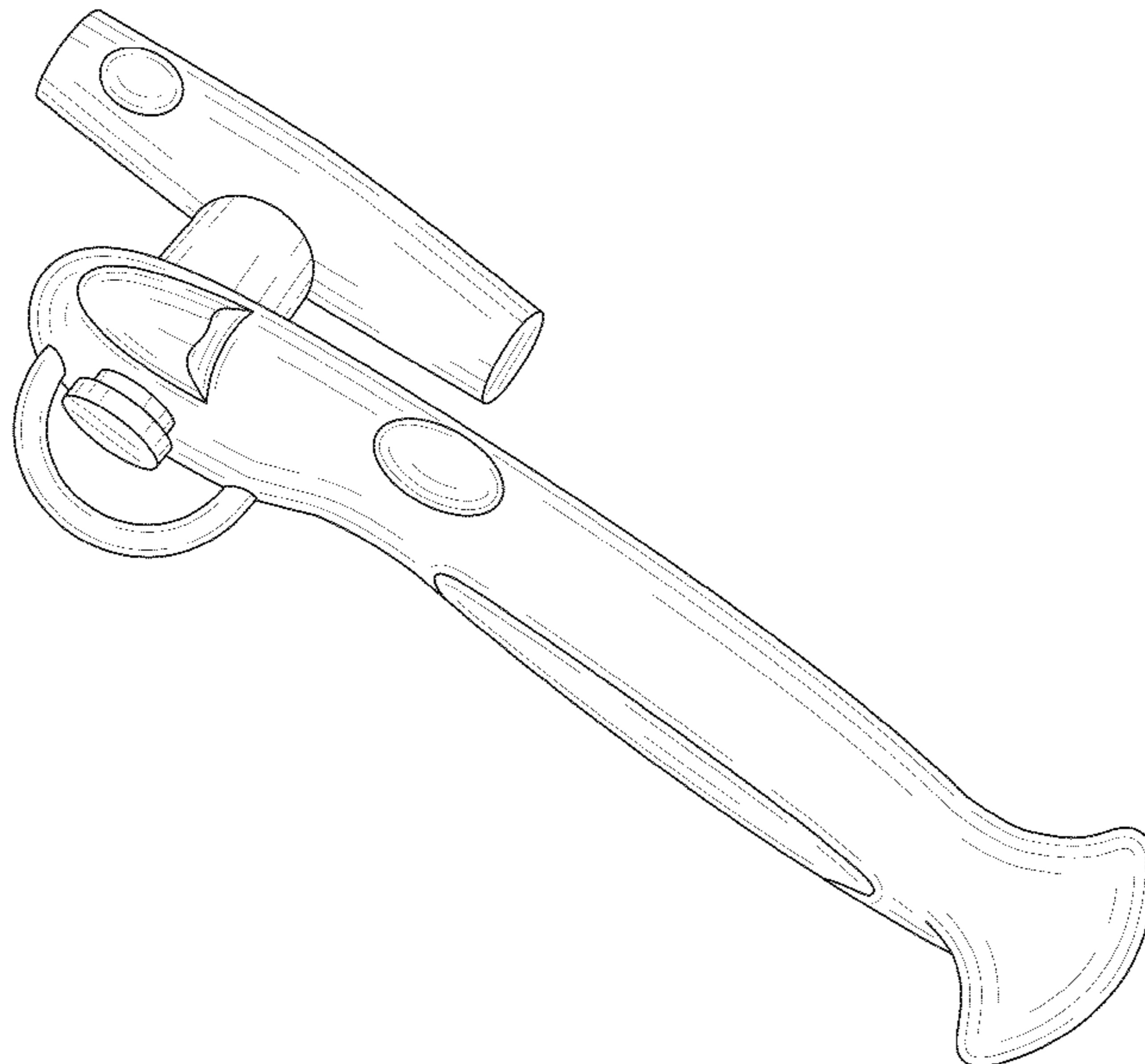
FIG. 4 is a first side view thereof;

FIG. 5 is a second side view thereof;

FIG. 6 is a top view thereof; and,

FIG. 7 is a bottom view thereof.

1 Claim, 4 Drawing Sheets



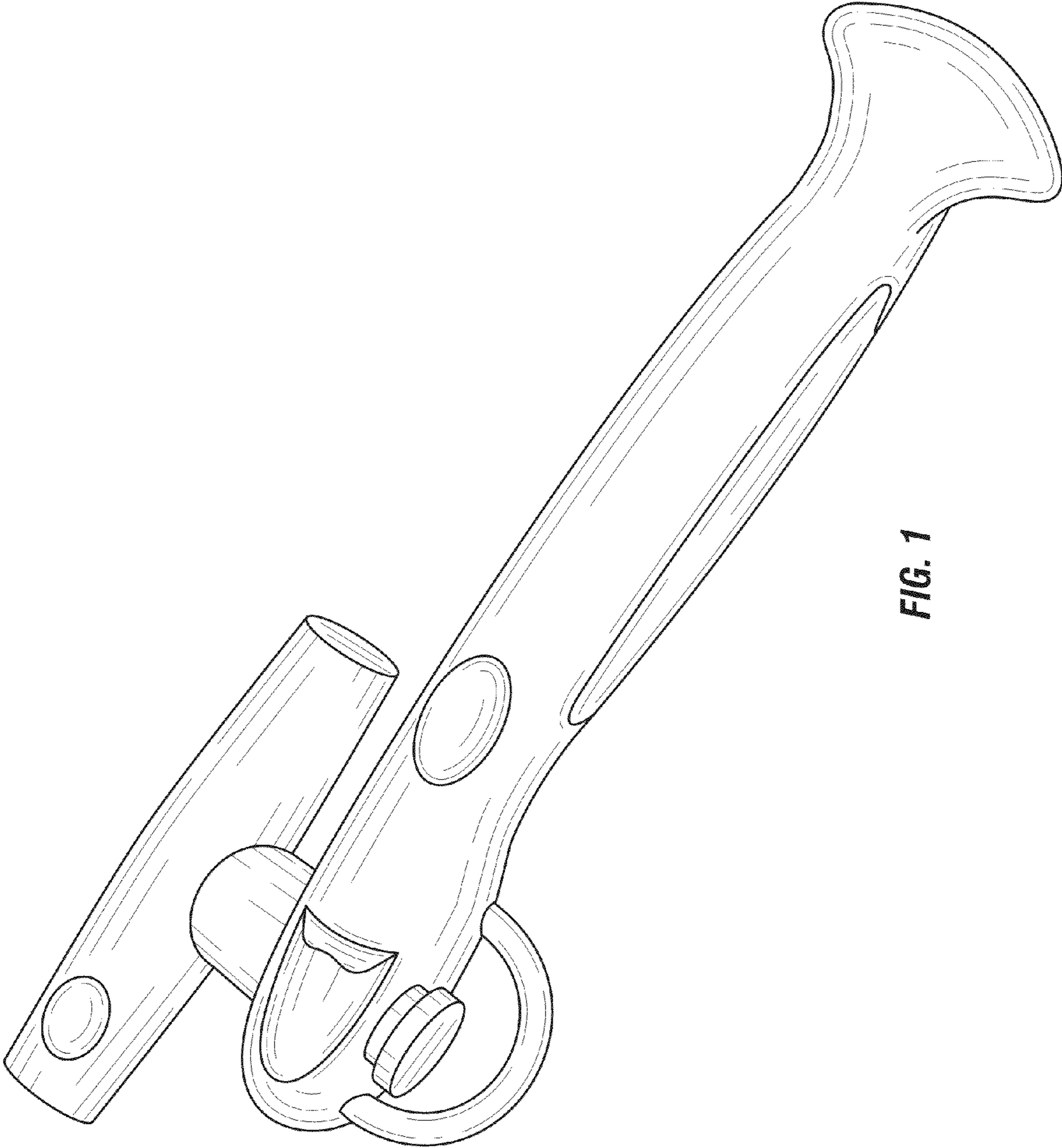


FIG. 1

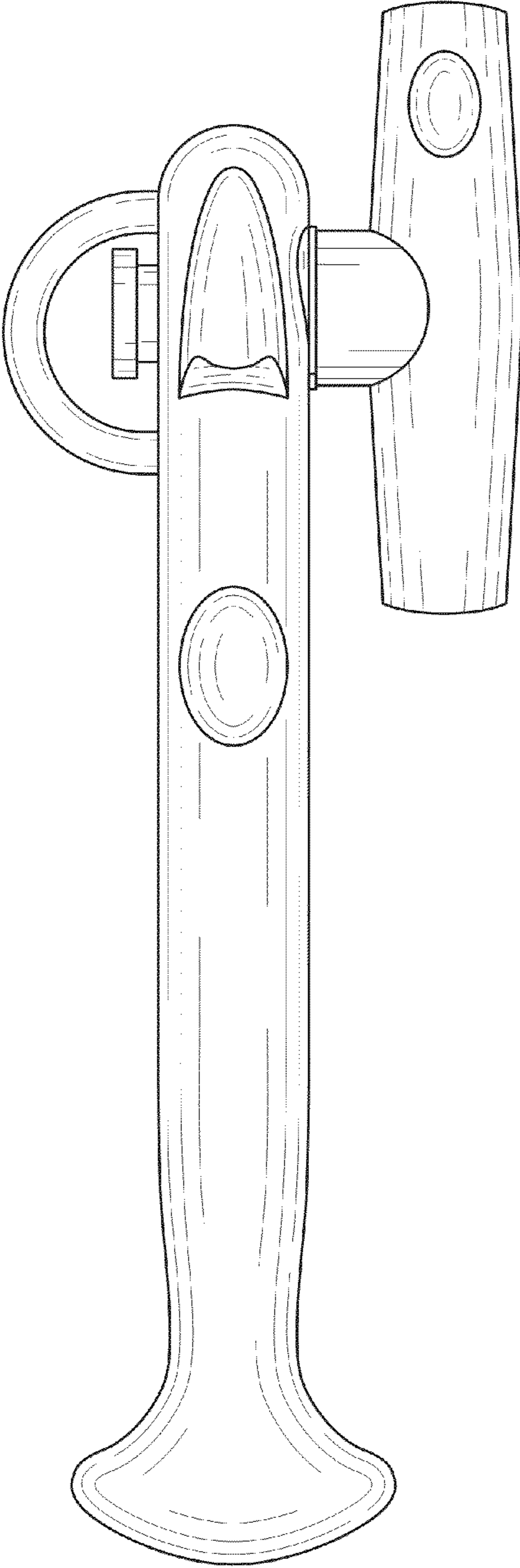


FIG. 2

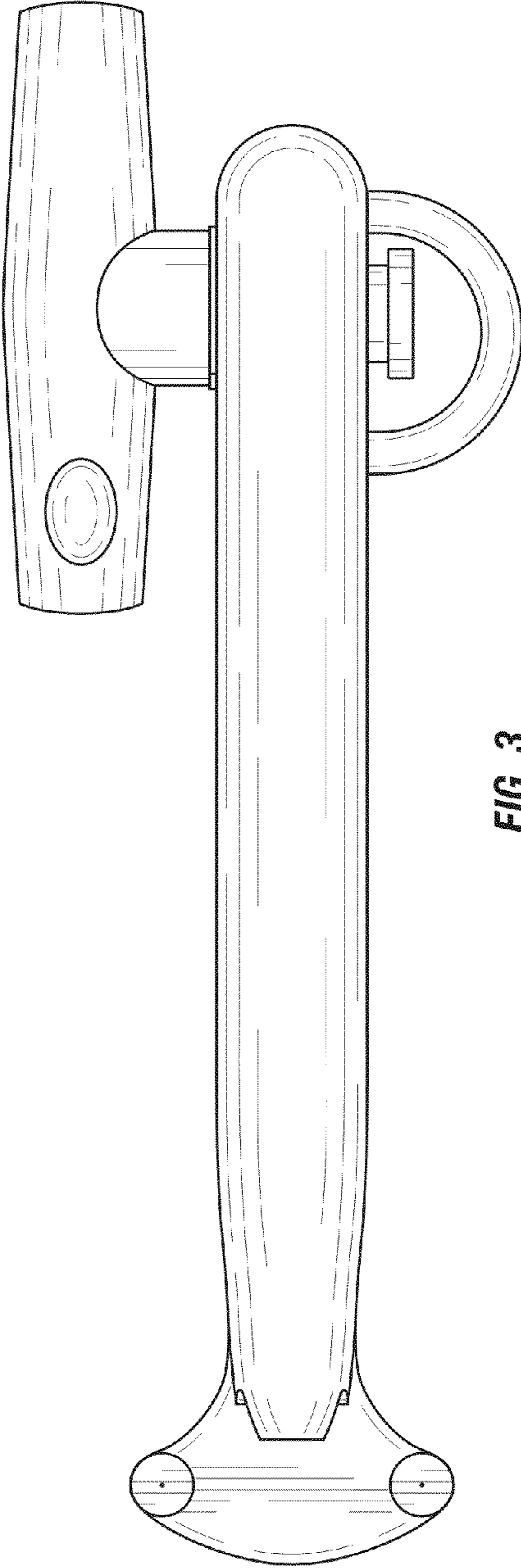


FIG. 3

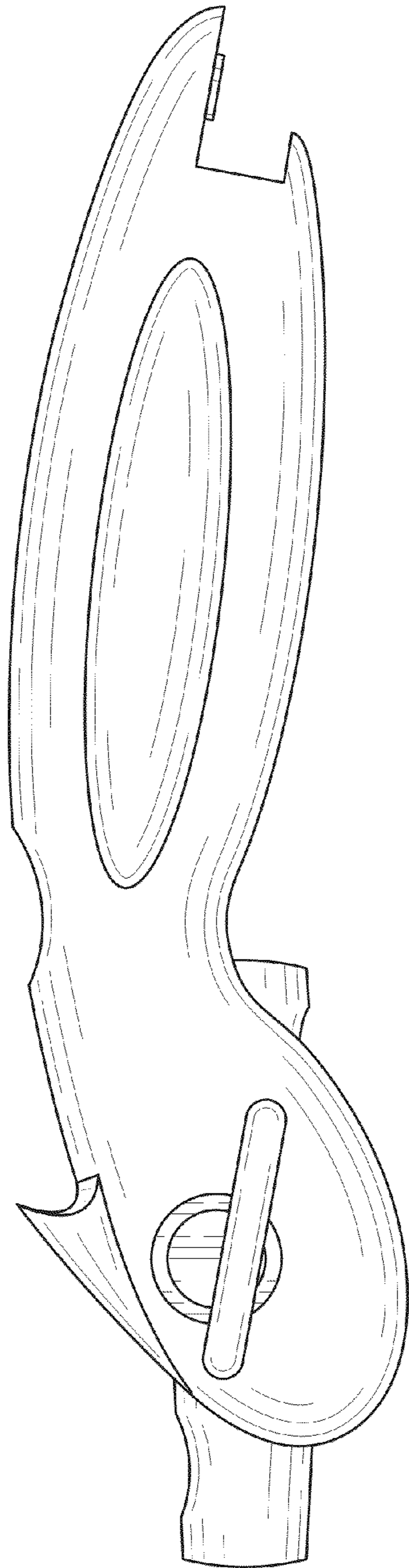


FIG. 4

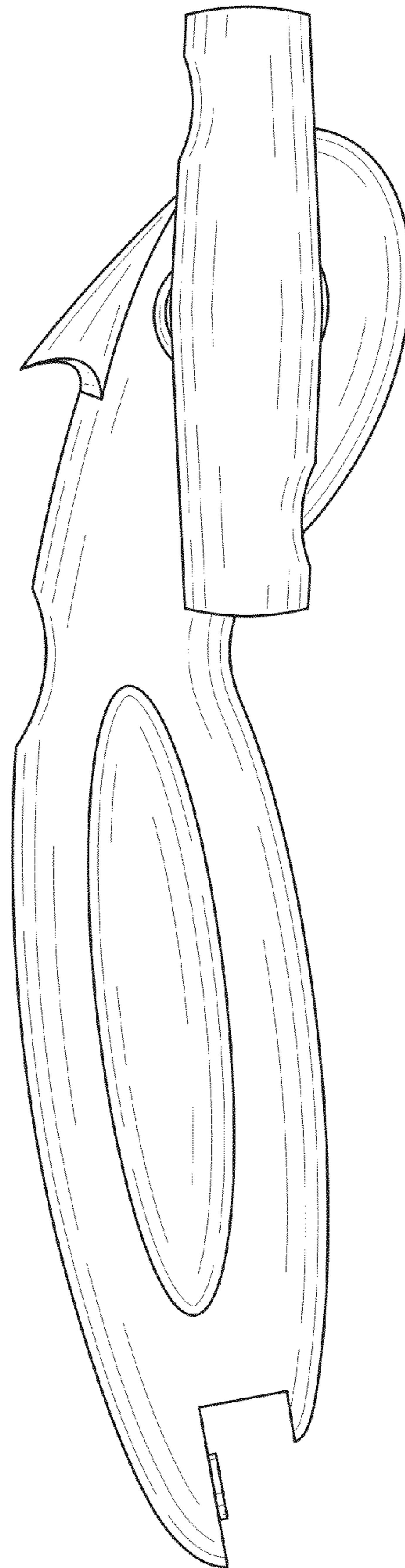


FIG. 5

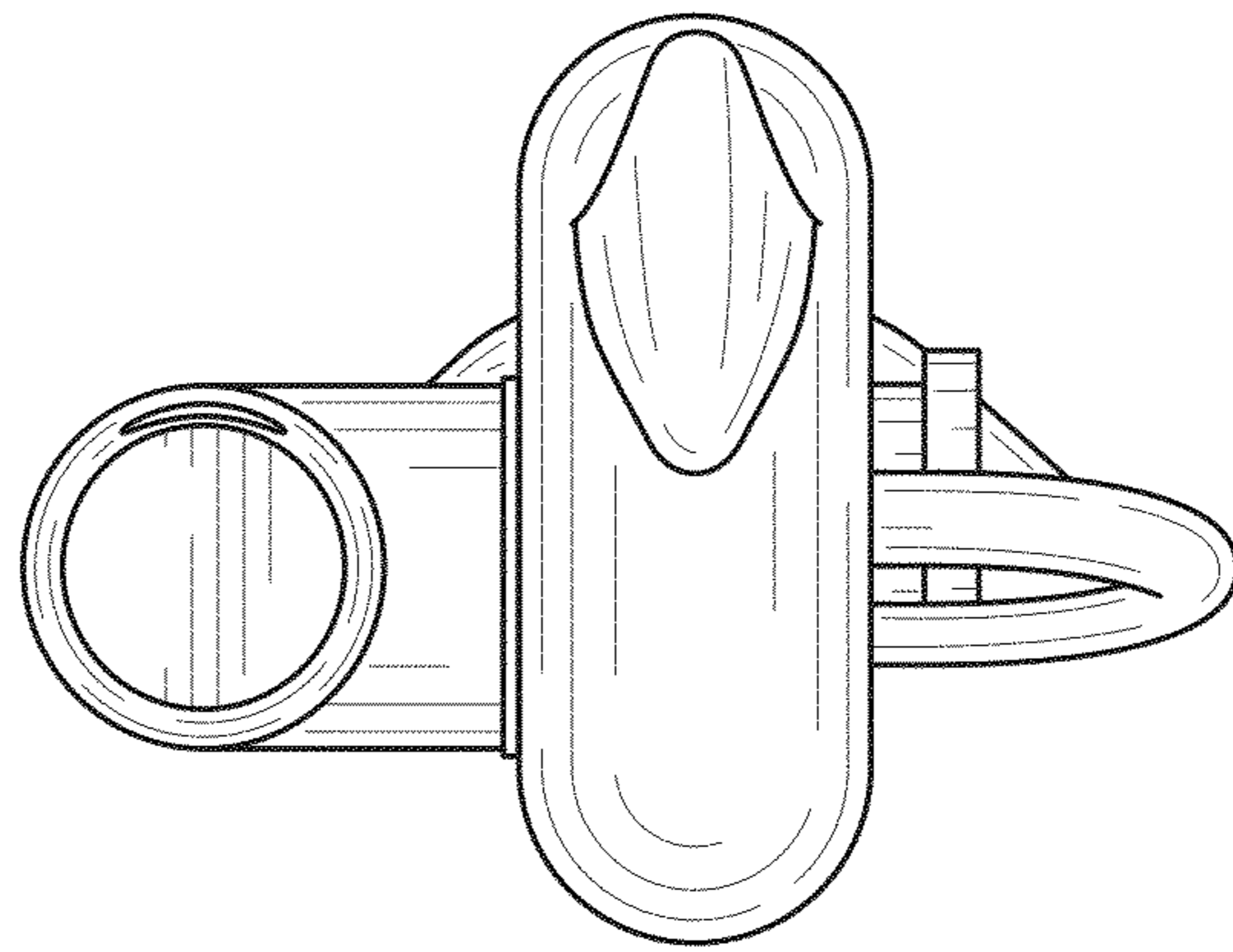


FIG. 6

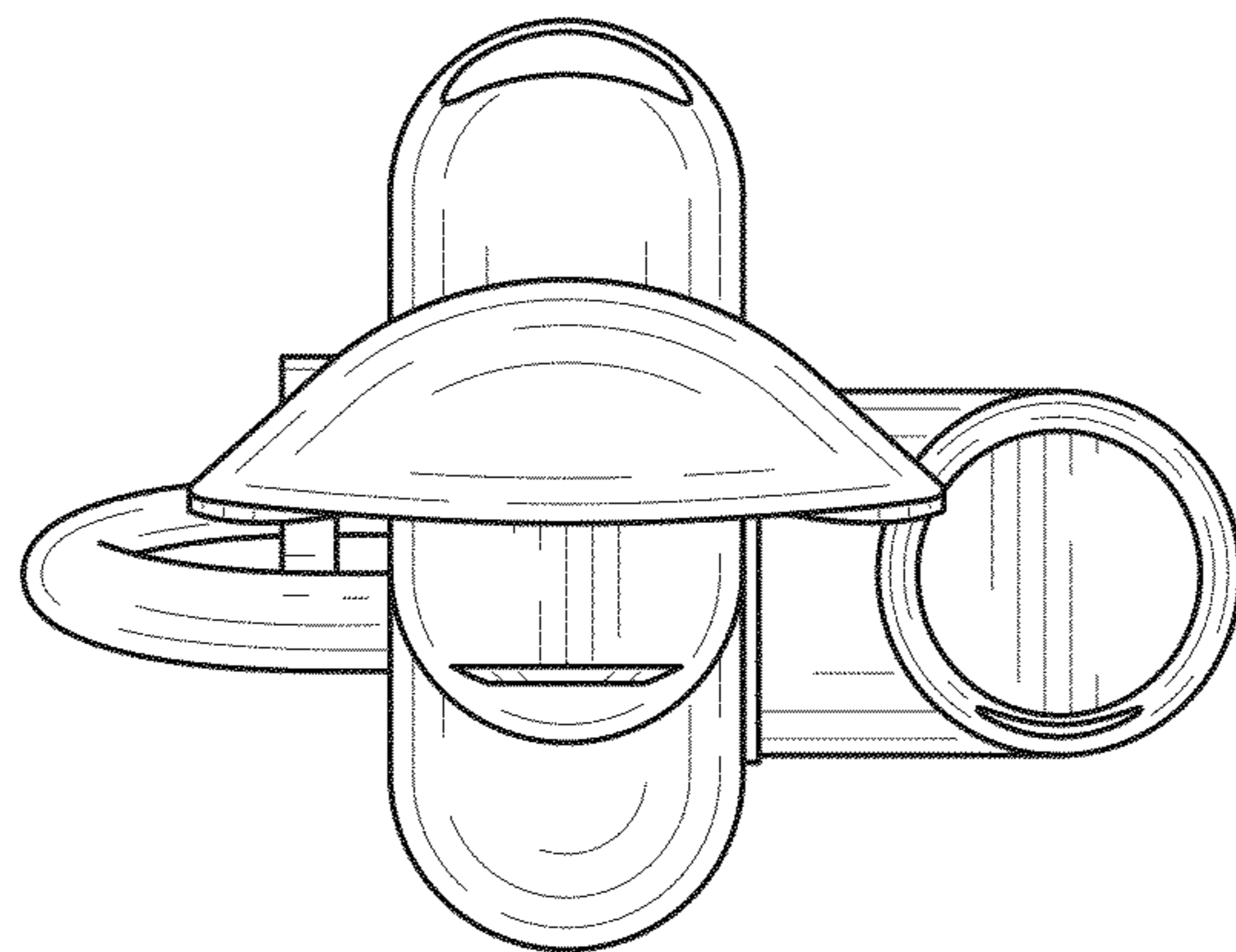


FIG. 7