



US00D711708S

(12) **United States Design Patent**  
**Larson**

(10) **Patent No.:** **US D711,708 S**

(45) **Date of Patent:** **\*\* Aug. 26, 2014**

(54) **DRIVER**

D658,437 S \* 5/2012 Johnson et al. .... D7/398  
D663,025 S \* 7/2012 Bast et al. .... D24/133  
D665,238 S \* 8/2012 Fossum ..... D8/21

(75) Inventor: **David Aaron Larson**, St. Charles, IL  
(US)

**OTHER PUBLICATIONS**

(73) Assignee: **Nomis LLC**, Palatine, IL (US)

Wolcraft Hook Driver; date last visited Oct. 10, 2012; 1 page printed from internet; <http://www.mcfeelys.com/product/WC-2422/Wolcraft-Hook-Driver>.

(\*\*) Term: **14 Years**

\* cited by examiner

(21) Appl. No.: **29/431,529**

*Primary Examiner* — Randall Gholson

(22) Filed: **Sep. 7, 2012**

(74) *Attorney, Agent, or Firm* — Reinhart Boerner Van Deuren P.C.

(51) **LOC (10) Cl.** ..... **08-05**

(52) **U.S. Cl.**  
USPC ..... **D8/21**

(57) **CLAIM**

The ornamental design for a driver, as shown and described.

(58) **Field of Classification Search**  
USPC ..... D8/21, 24, 82–85, 87, 107; 81/60–62,  
81/177.1–177.7

**DESCRIPTION**

See application file for complete search history.

FIG. 1 is a top perspective view of the driver;  
FIG. 2 is a bottom perspective view thereof;  
FIG. 3 is a top view thereof;  
FIG. 4 is a side view thereof;  
FIG. 5 is a front view thereof;  
FIG. 6 is a side view thereof showing the side opposite that shown in FIG. 4;  
FIG. 7 is a rear view thereof; and,  
FIG. 8 is a bottom view thereof.

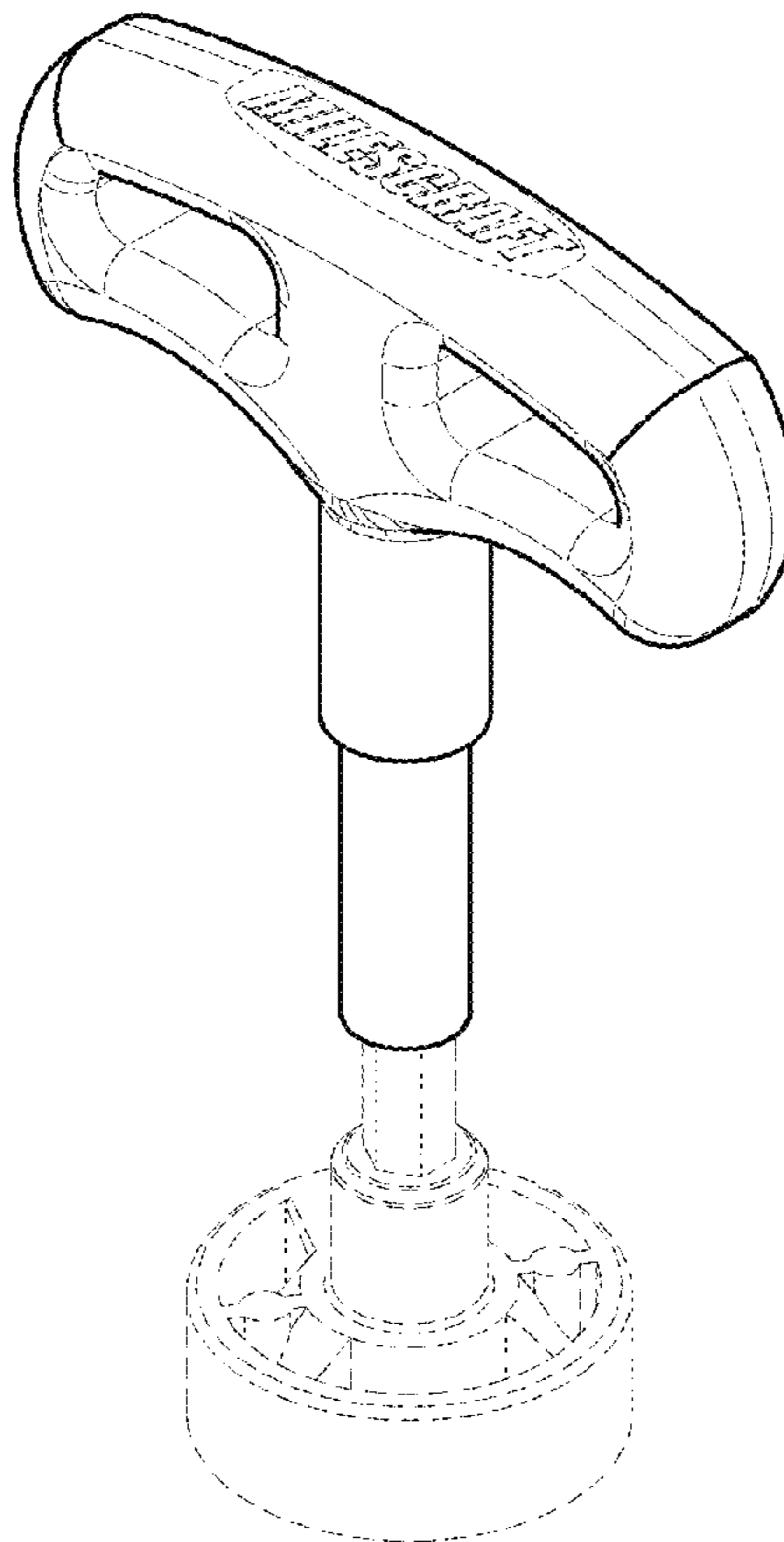
In the figures, dashed lines are used to illustrate features of the driver which form no part of the claimed design.

(56) **References Cited**

**U.S. PATENT DOCUMENTS**

6,151,998 A \* 11/2000 Fu-Hui ..... 81/177.4  
7,243,581 B1 \* 7/2007 Gao ..... 81/473  
D586,634 S \* 2/2009 Lai ..... D8/21  
7,771,291 B1 \* 8/2010 Willett et al. .... 473/337  
D634,595 S \* 3/2011 Tyson ..... D8/14  
D646,948 S \* 10/2011 Robinson et al. .... D8/83  
D649,423 S \* 11/2011 Robinson et al. .... D8/83  
D654,589 S \* 2/2012 Bast et al. .... D24/133

**1 Claim, 3 Drawing Sheets**



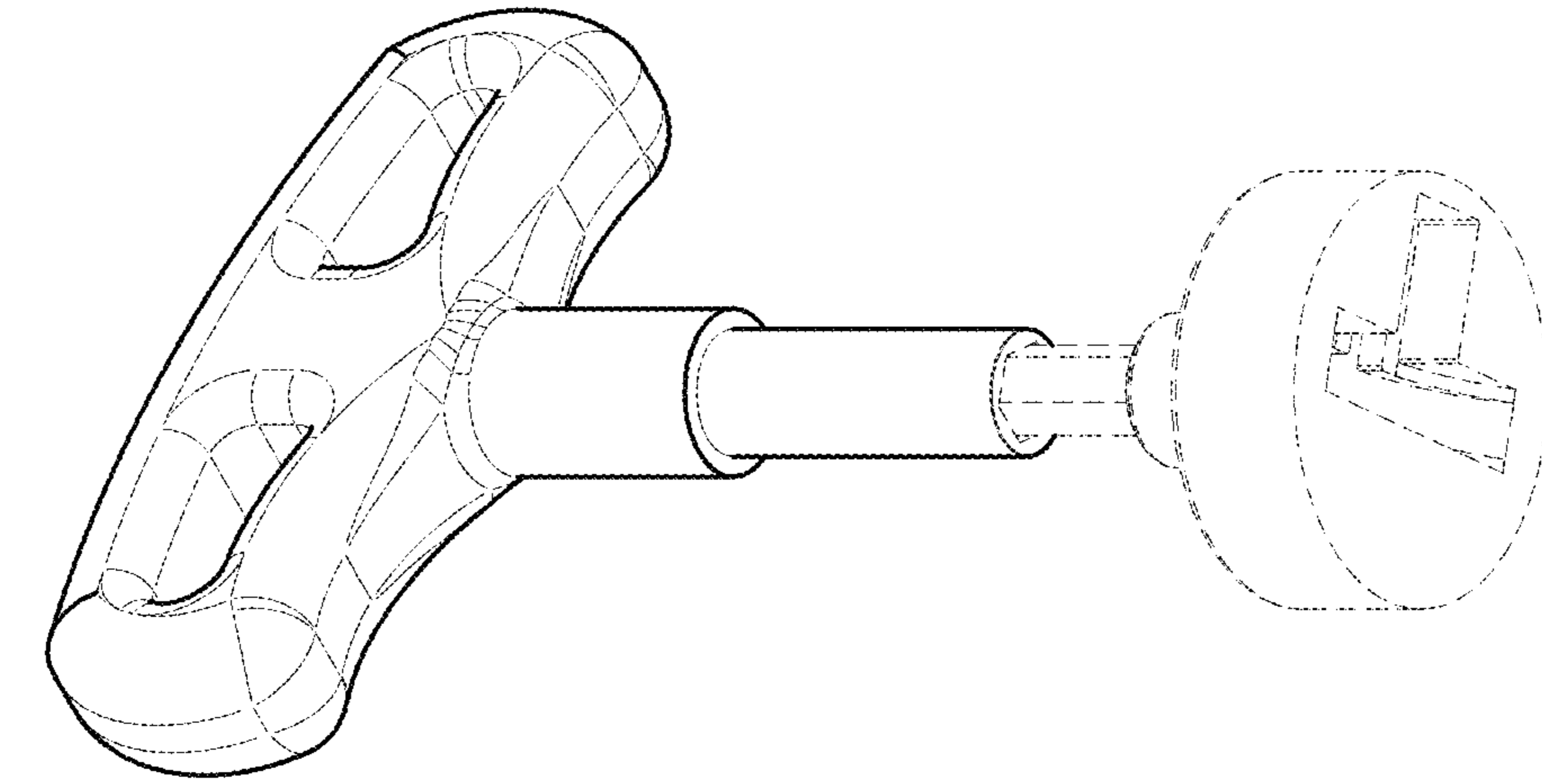


FIG. 2

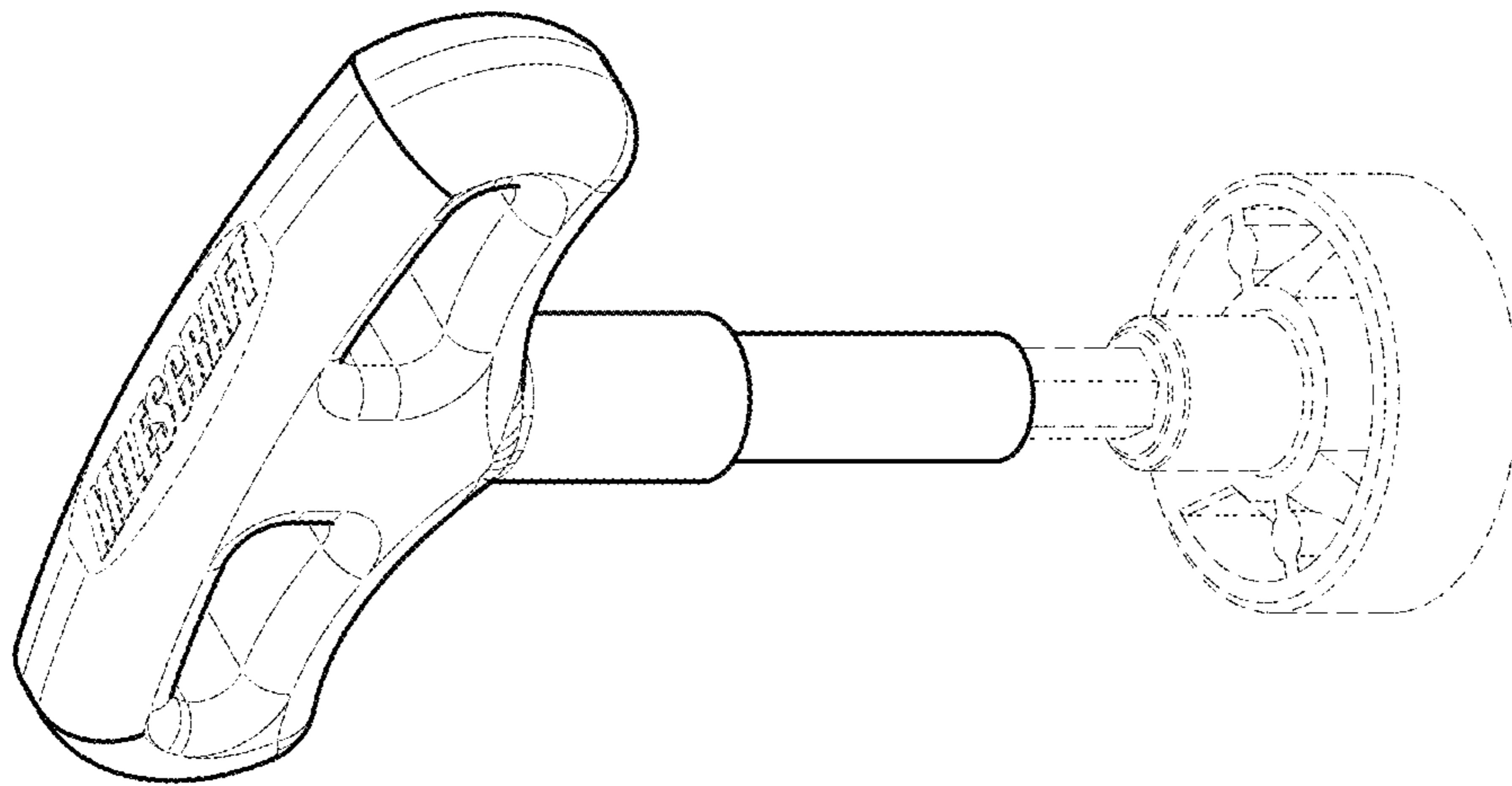
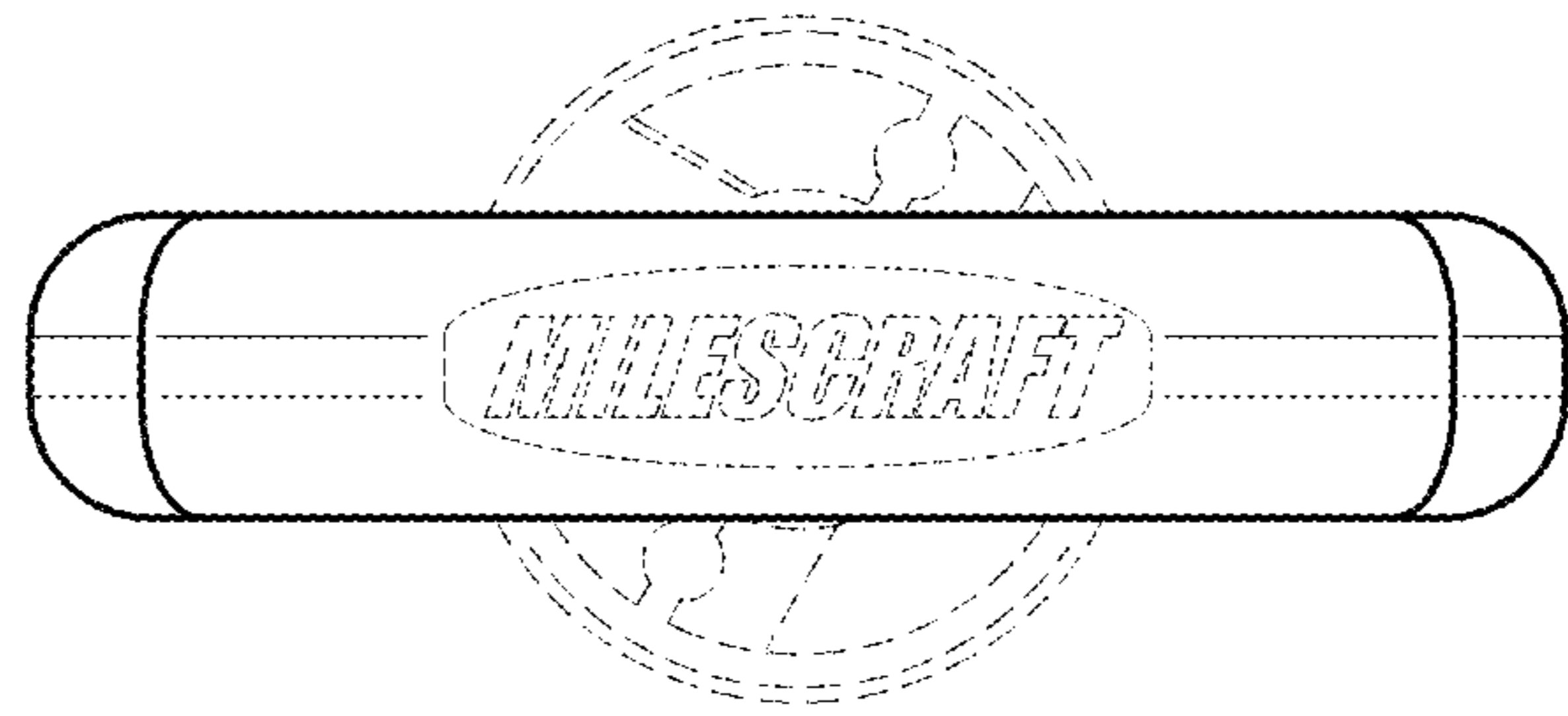
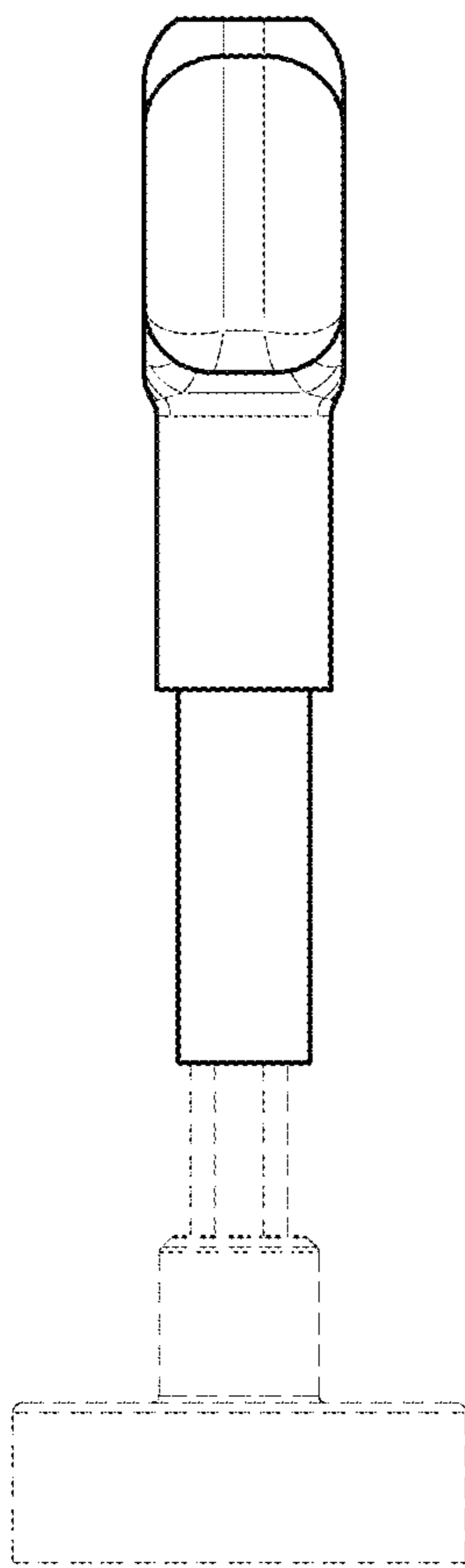


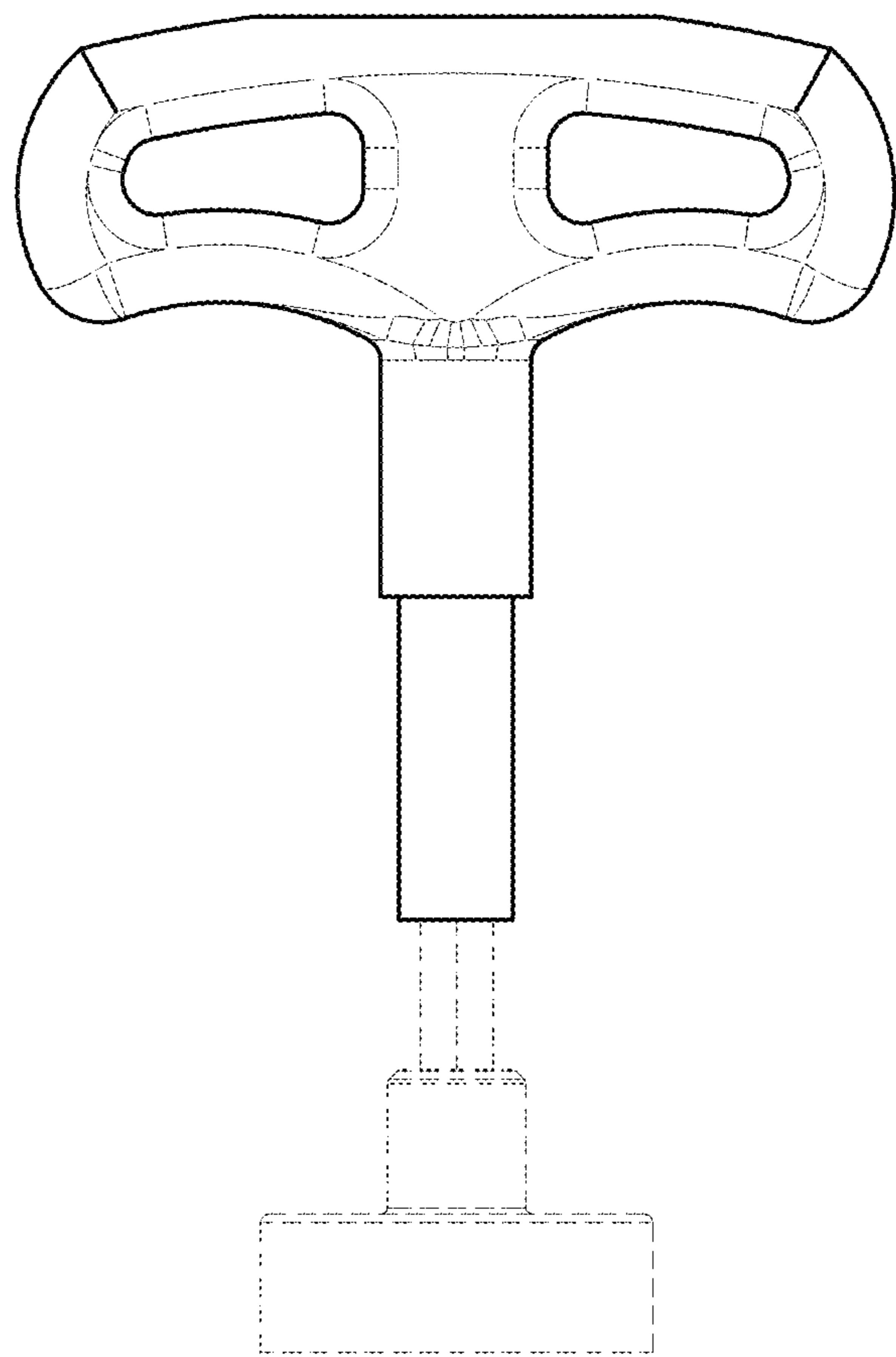
FIG. 1



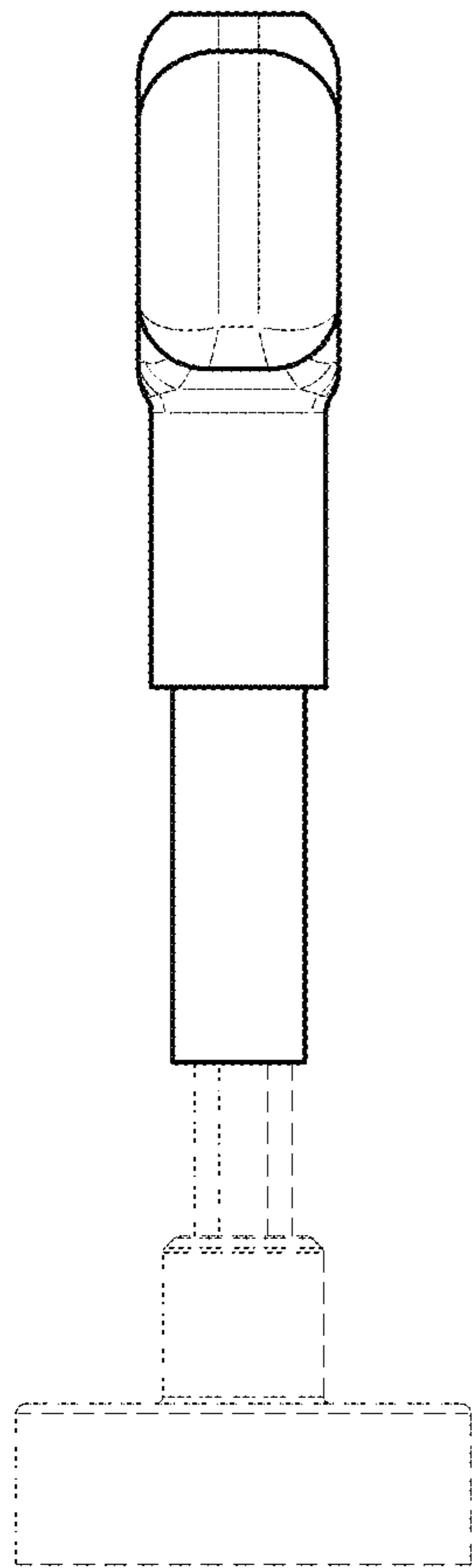
**FIG. 3**



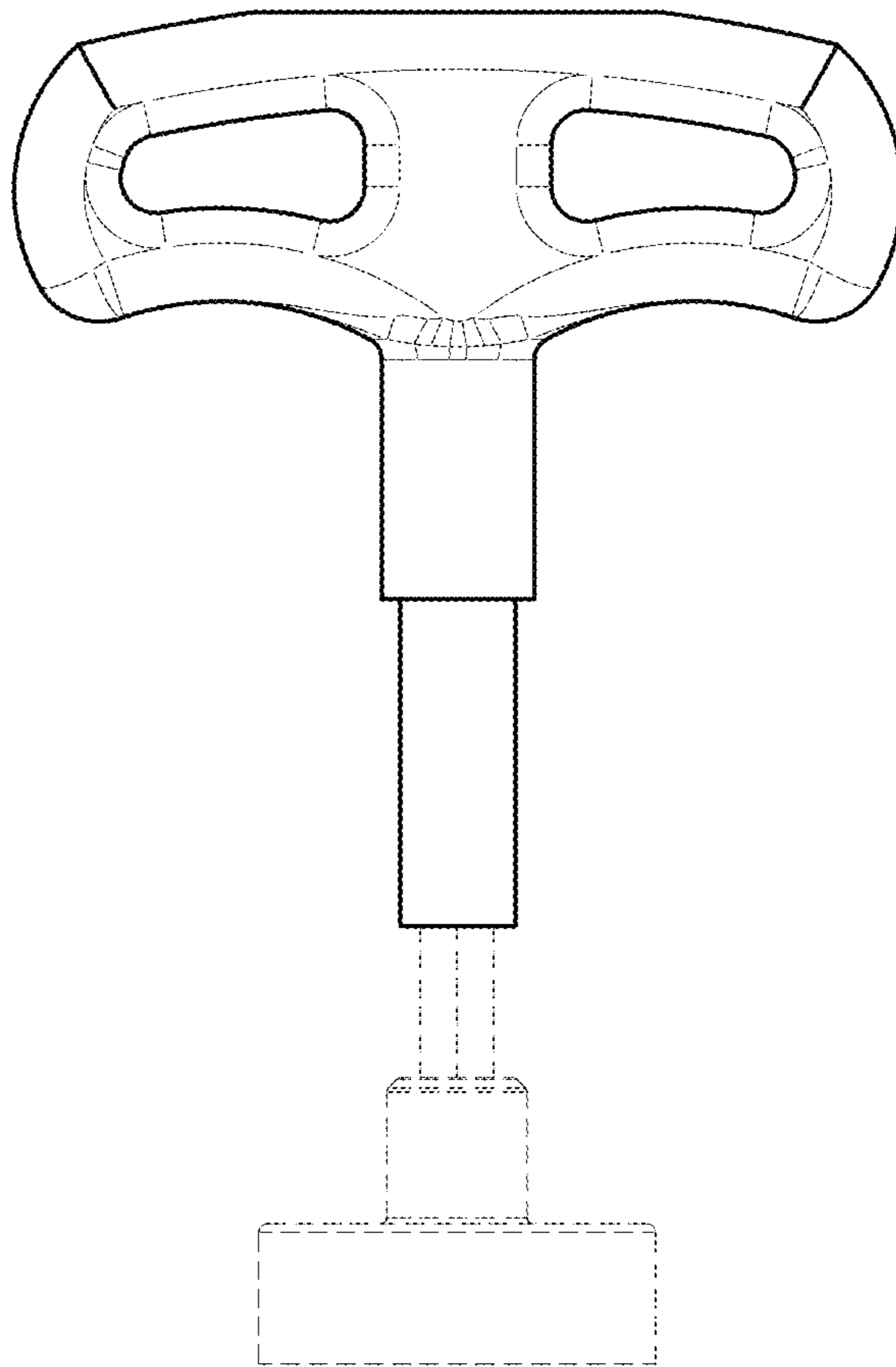
**FIG. 4**



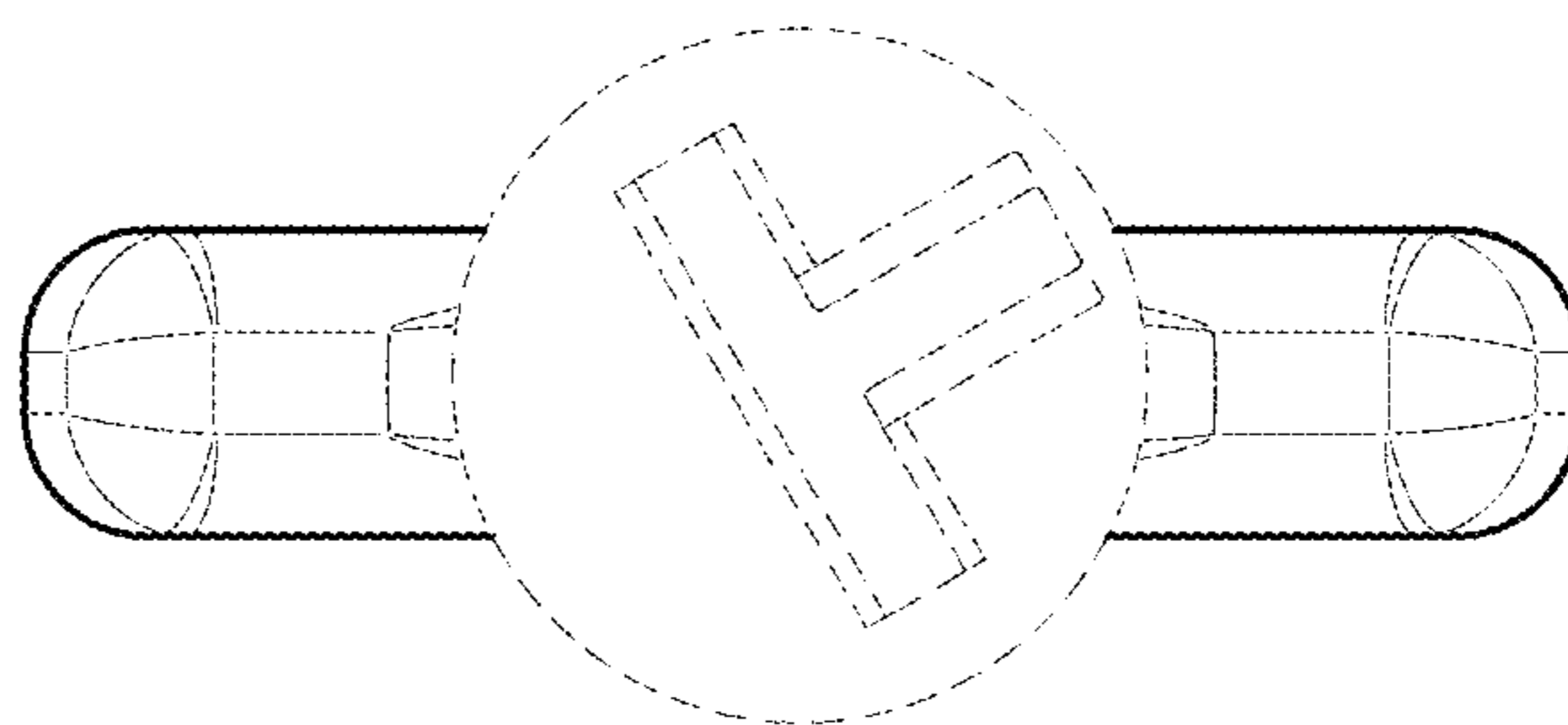
**FIG. 5**



**FIG. 6**



**FIG. 7**



**FIG. 8**