



US00D711705S

(12) **United States Design Patent**
Nihra

(10) **Patent No.:** **US D711,705 S**

(45) **Date of Patent:** **** Aug. 26, 2014**

(54) **IMPROVISED EXPLOSIVE DEVICE
LOCATOR WITH TELESCOPING HANDLE**

(76) Inventor: **Thomas E. Nihra**, Warren, MI (US)

(**) Term: **14 Years**

(21) Appl. No.: **29/398,076**

(22) Filed: **Jul. 26, 2011**

(51) **LOC (10) Cl.** **08-05**

(52) **U.S. Cl.**
USPC **D8/14**

(58) **Field of Classification Search**
USPC D3/7; D8/1, 11, 13, 14; D22/149;
294/19.1–19.2, 26, 65.5, 175, 210;
D12/112

See application file for complete search history.

(56) **References Cited**

U.S. PATENT DOCUMENTS

275,042	A	*	4/1883	Heysinger	362/457
D89,898	S	*	5/1933	Korte	D12/112
3,014,749	A	*	12/1961	Carrow	294/26
3,936,088	A	*	2/1976	Williams	294/175
4,494,786	A	*	1/1985	Paulus et al.	294/26
D279,859	S	*	7/1985	Faust	D8/14
D312,295	S	*	11/1990	Travis et al.	D22/149
D327,927	S	*	7/1992	Foley	D21/681
D430,780	S	*	9/2000	Stephenson	D8/14
D470,082	S	*	2/2003	Wu	D12/112

D547,146	S	*	7/2007	Fetherston	D8/14
D566,495	S	*	4/2008	Hackmann	D8/14
D662,384	S	*	6/2012	Jonsson et al.	D8/51
8,226,134	B2	*	7/2012	O'Donnell	294/11

* cited by examiner

Primary Examiner — Susan E Krakower

Assistant Examiner — Roselynnne Cody

(74) *Attorney, Agent, or Firm* — The Weintraub Group, P.L.C.

(57) **CLAIM**

I claim the ornamental design for an improvised explosive device locator with telescoping handle, as shown and described.

DESCRIPTION

FIG. 1 is a perspective view of one embodiment of the head of the improvised explosive device locator with telescoping handle. The telescoping handle shown in broken lines is included to show environment and forms no part of the claim.

FIG. 2 is a perspective view of the same embodiment of the head showing my new design enlarged.

FIG. 3 is a front elevational view thereof.

FIG. 4 is a first side elevational view thereof.

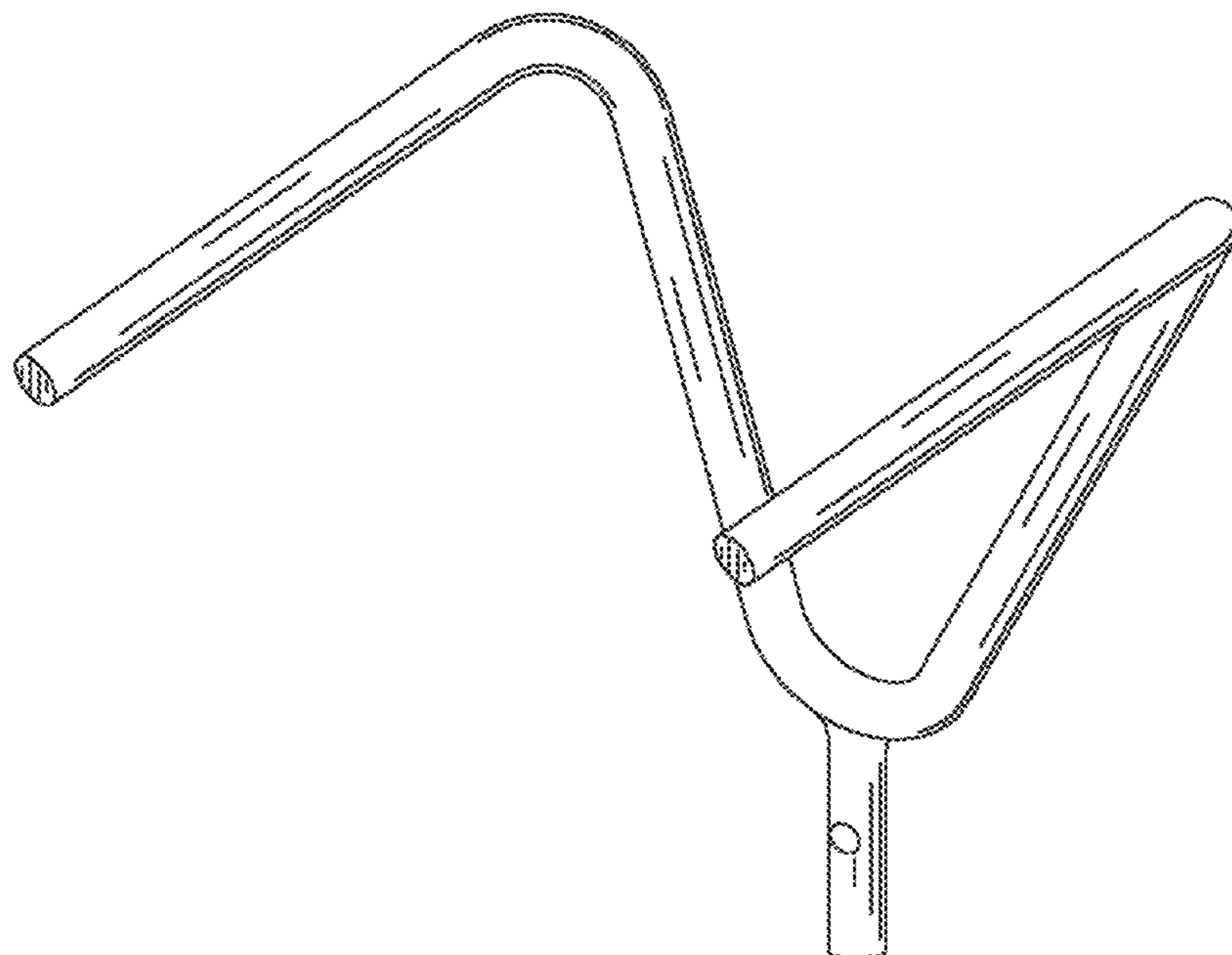
FIG. 5 is a second side elevational view thereof as seen from the side opposite that of FIG. 4.

FIG. 6 is a rear elevational view thereof.

FIG. 7 is a top plan view thereof; and,

FIG. 8 is a bottom plan view thereof.

1 Claim, 5 Drawing Sheets



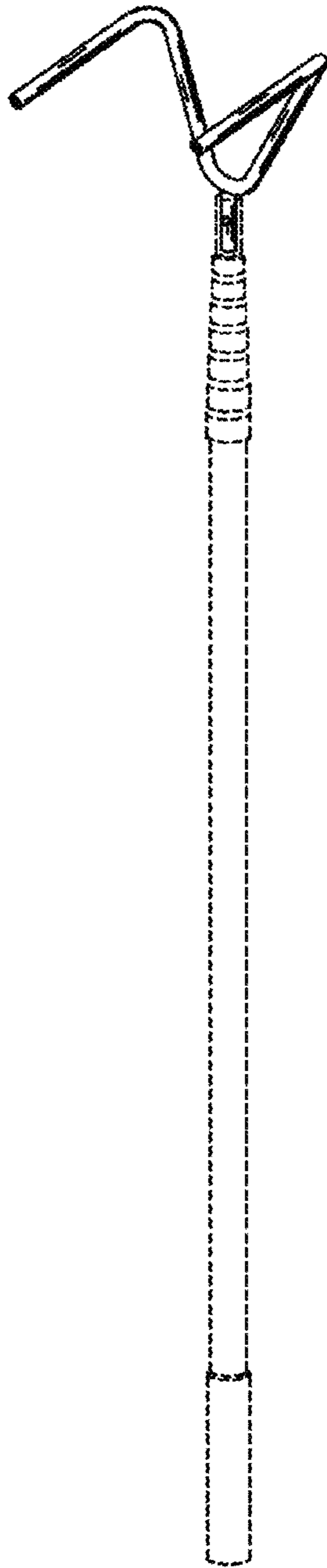


FIG 1

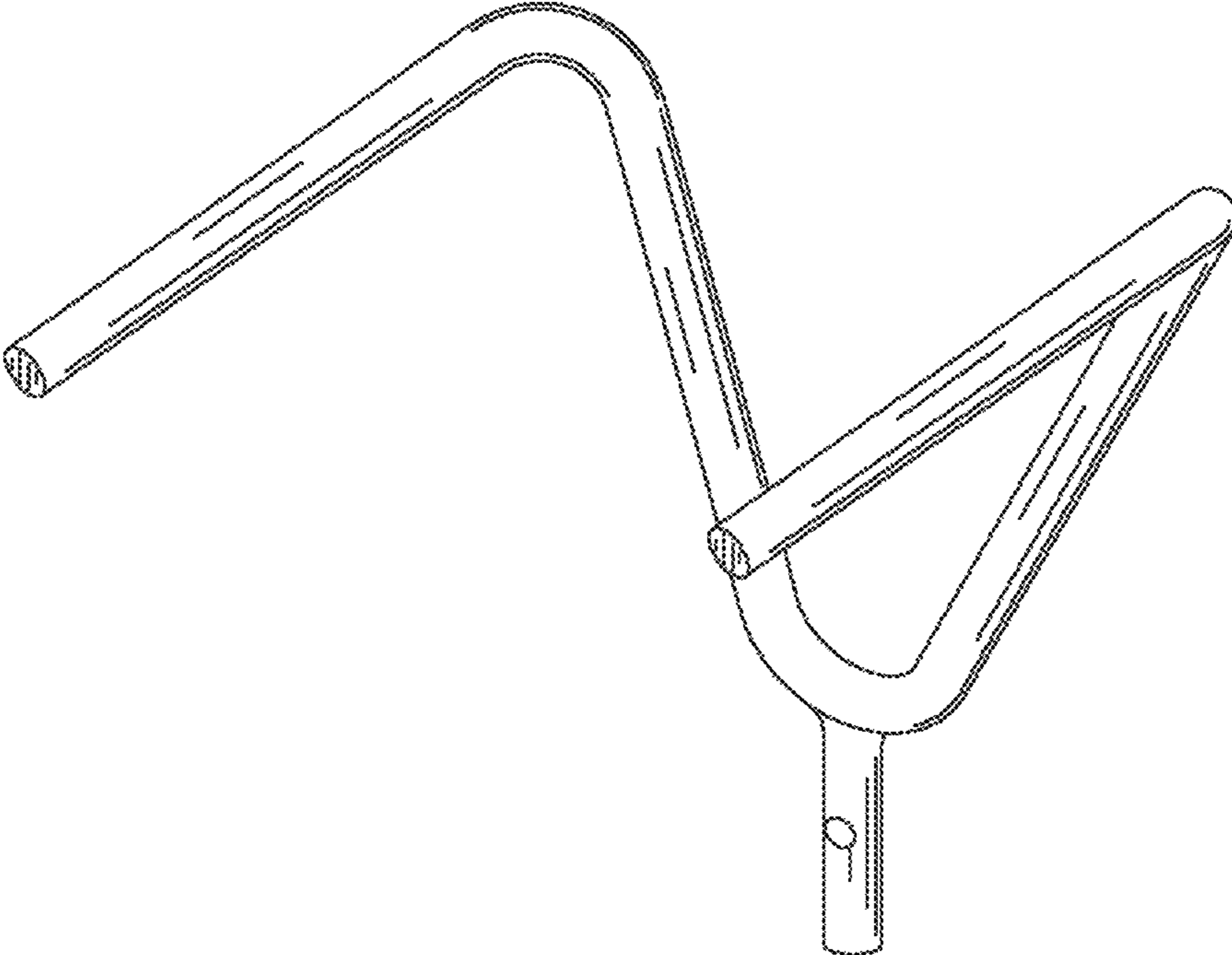


FIG 2

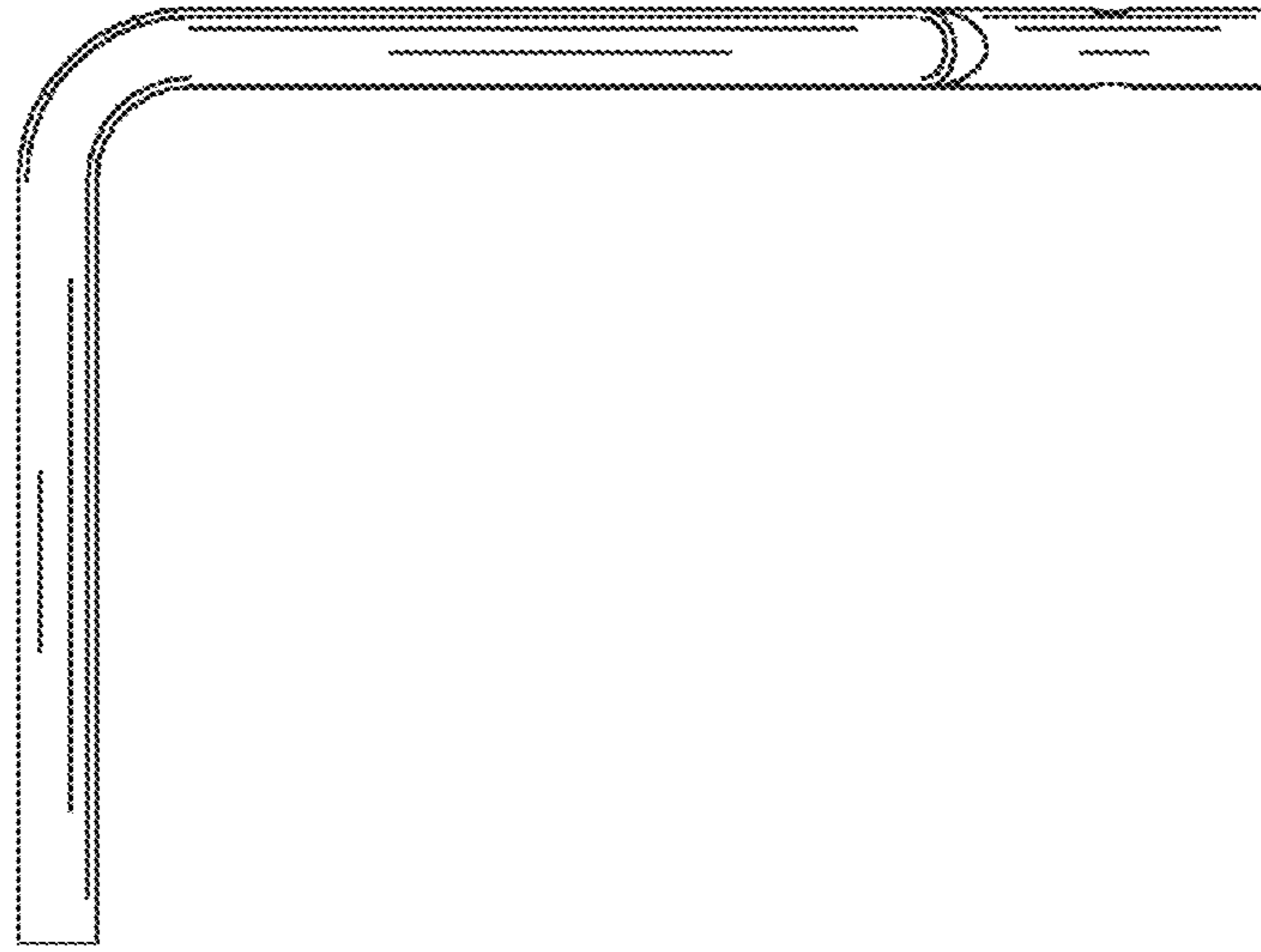


FIG 4

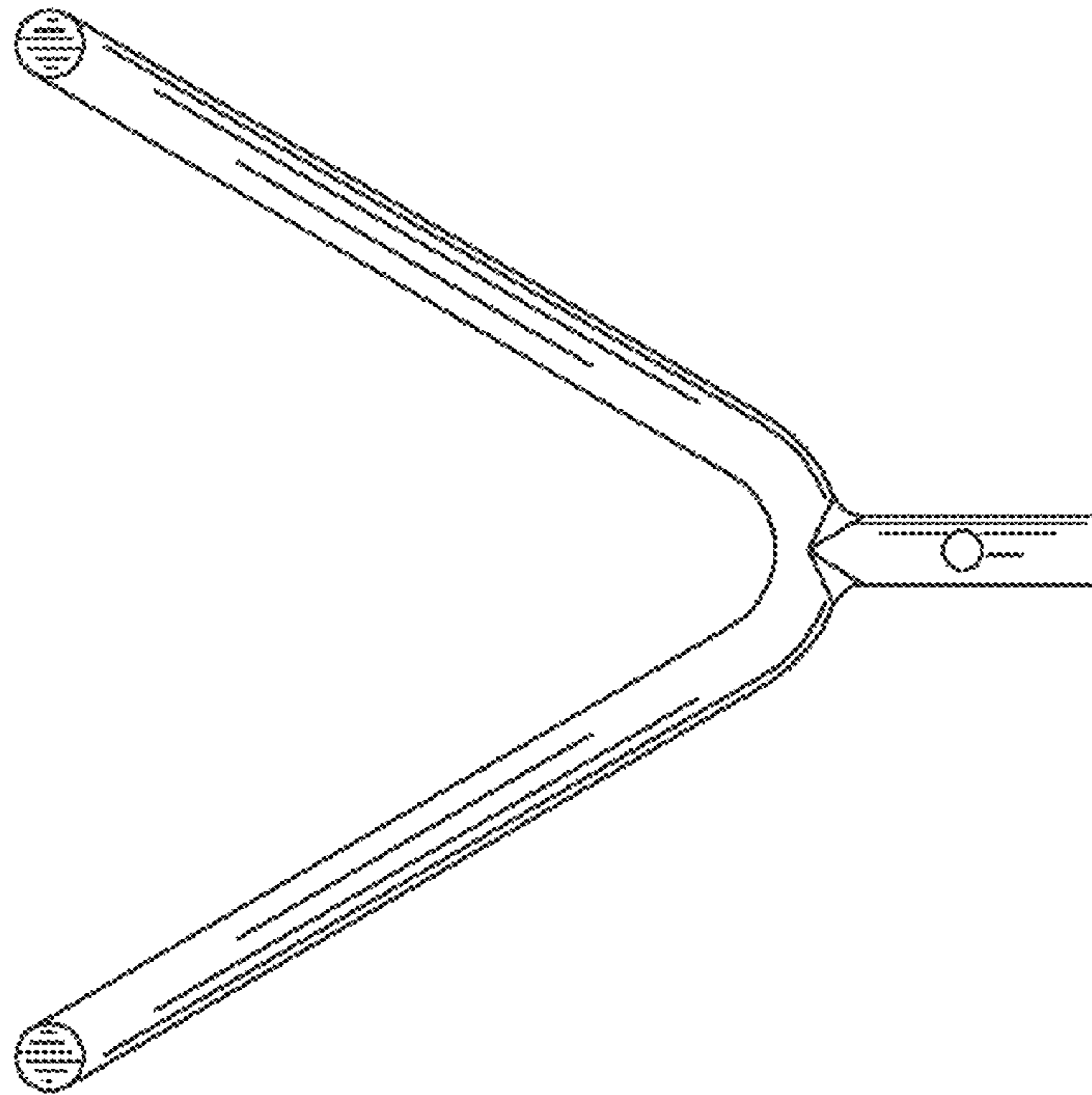


FIG 3

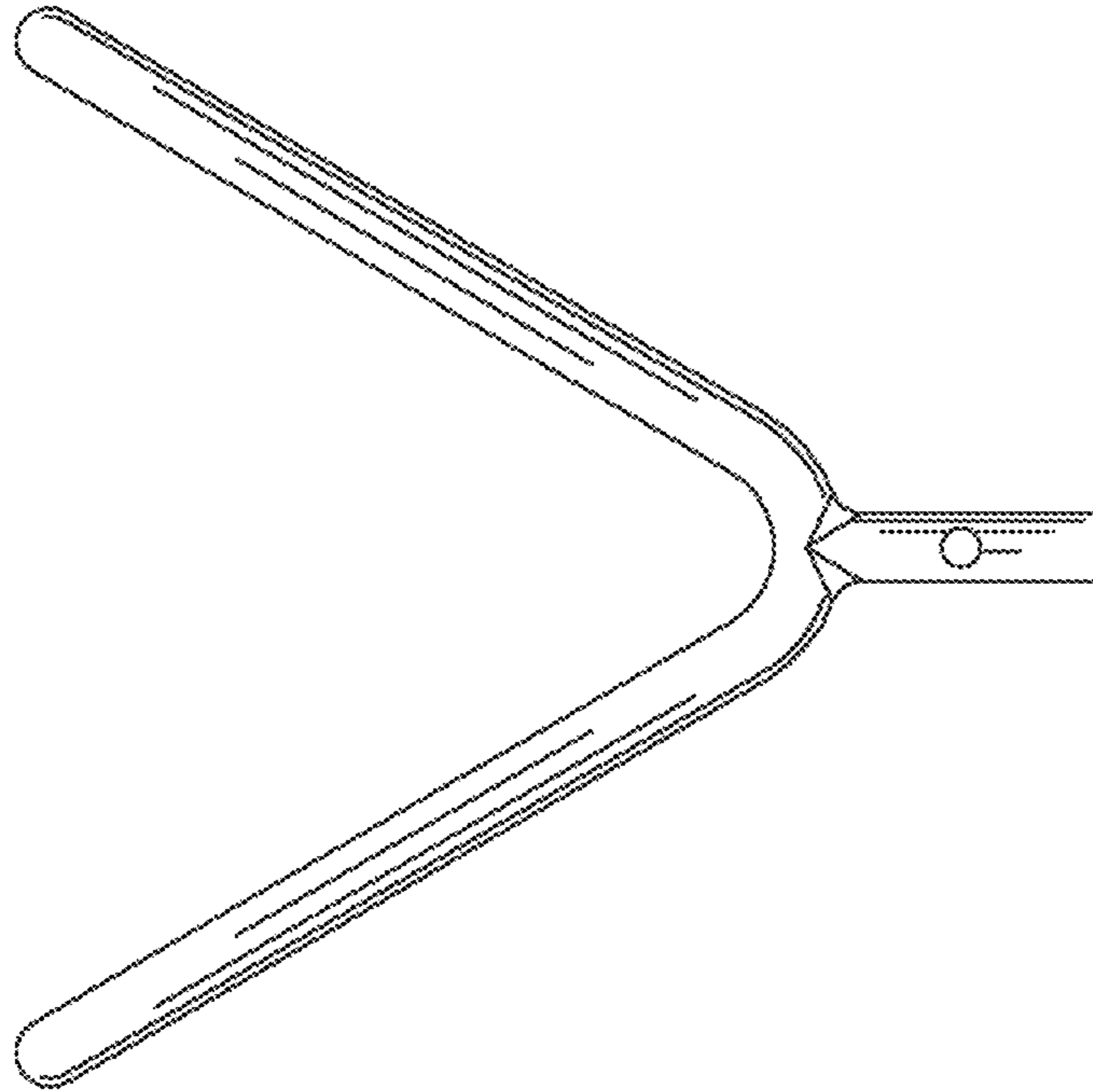


FIG 6

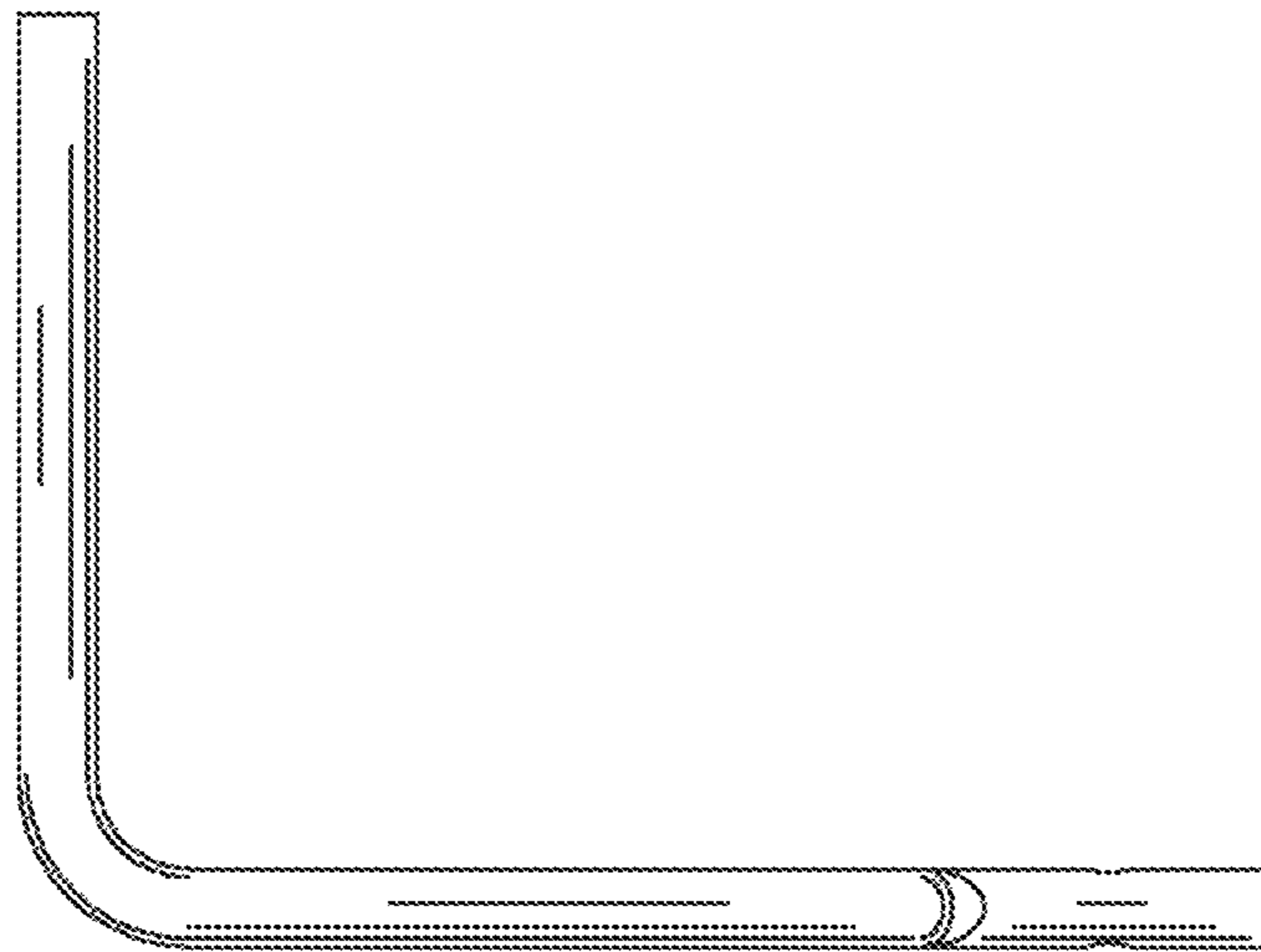


FIG 5

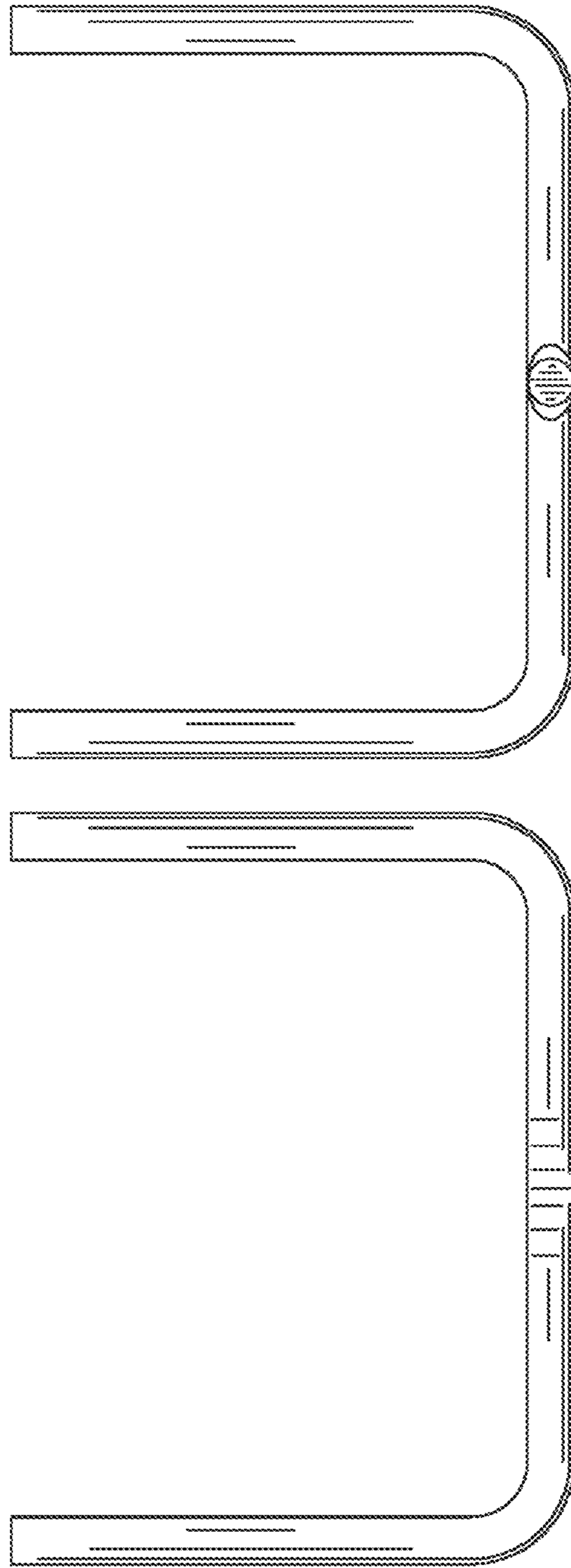


FIG 8

FIG 7