



US00D711704S

(12) **United States Design Patent**  
**Hua**

(10) **Patent No.:** **US D711,704 S**

(45) **Date of Patent:** **\*\* Aug. 26, 2014**

(54) **ICE REMOVAL SHOVEL**

D606,818 S *	12/2009	Atnip et al.	.....	D8/10
D613,567 S *	4/2010	Atnip et al.	.....	D8/10
D617,159 S *	6/2010	Blanchard	.....	D8/10
D637,874 S *	5/2011	Blanchard	.....	D8/10

(71) Applicant: **Cixi Huazhijie Plastic Product Co., Ltd.**, Zhejiang (CN)

\* cited by examiner

(72) Inventor: **Jie Hua**, Zhejiang (CN)

*Primary Examiner* — Sheryl Lane

(\*\*) Term: **14 Years**

(74) *Attorney, Agent, or Firm* — Xiyan Zhang

(21) Appl. No.: **29/477,652**

(57) **CLAIM**

(22) Filed: **Dec. 24, 2013**

The ornamental design for an ice removal shovel, as shown and described.

(51) **LOC (10) Cl.** ..... **08-01**

(52) **U.S. Cl.**  
USPC ..... **D8/10**

**DESCRIPTION**

(58) **Field of Classification Search**  
USPC ..... D8/1, 10; 294/49, 54.5, 53.5, 55; 7/116;  
56/400.01

See application file for complete search history.

FIG. 1 is a left elevation view of the ice removal shovel showing my new design;  
FIG. 2 is a right elevation view thereof;  
FIG. 3 is a front elevation view thereof;  
FIG. 4 is a back elevation view thereof; and,  
FIG. 5 is a downward plan view thereof.

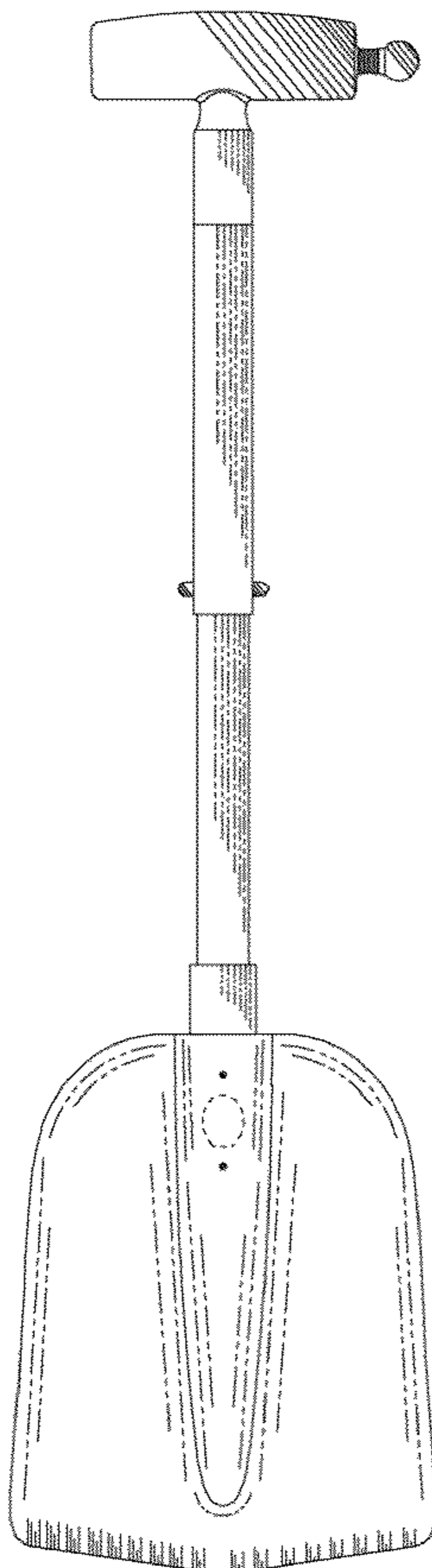
The broken lines shown in FIGS. 1, 2, 3, 4, and 5 represent portions of the ice removal shovel and form no part of the claimed design.

(56) **References Cited**

U.S. PATENT DOCUMENTS

D266,899 S *	11/1982	Moore et al.	.....	D8/10
5,533,768 A *	7/1996	Mitchell	.....	294/54.5
D565,366 S *	4/2008	Buscher	.....	D8/10

**1 Claim, 5 Drawing Sheets**



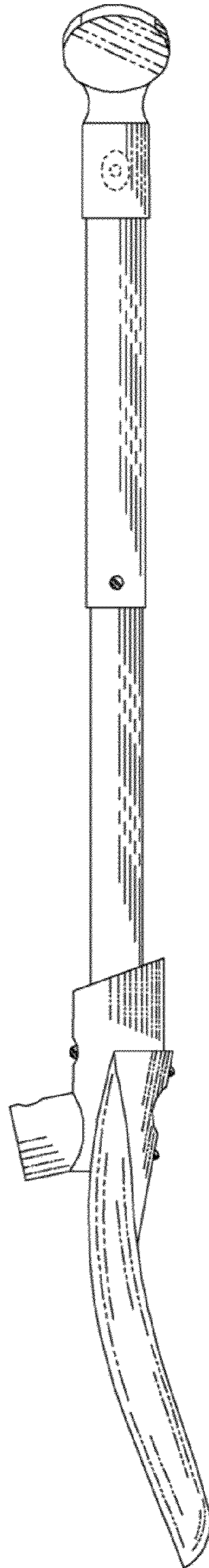


FIG. 1

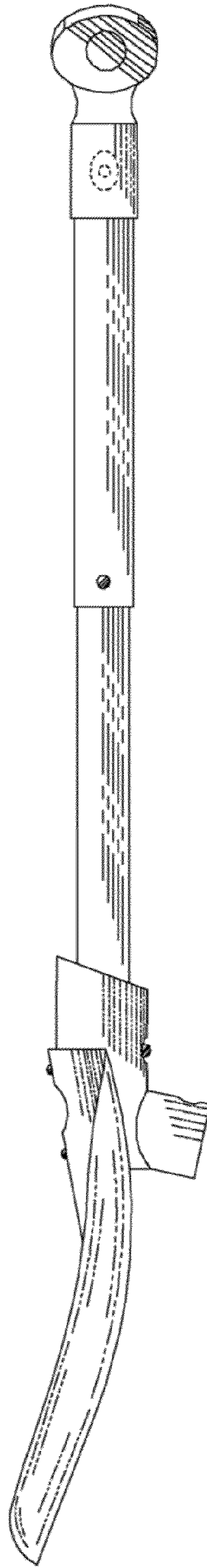


FIG. 2

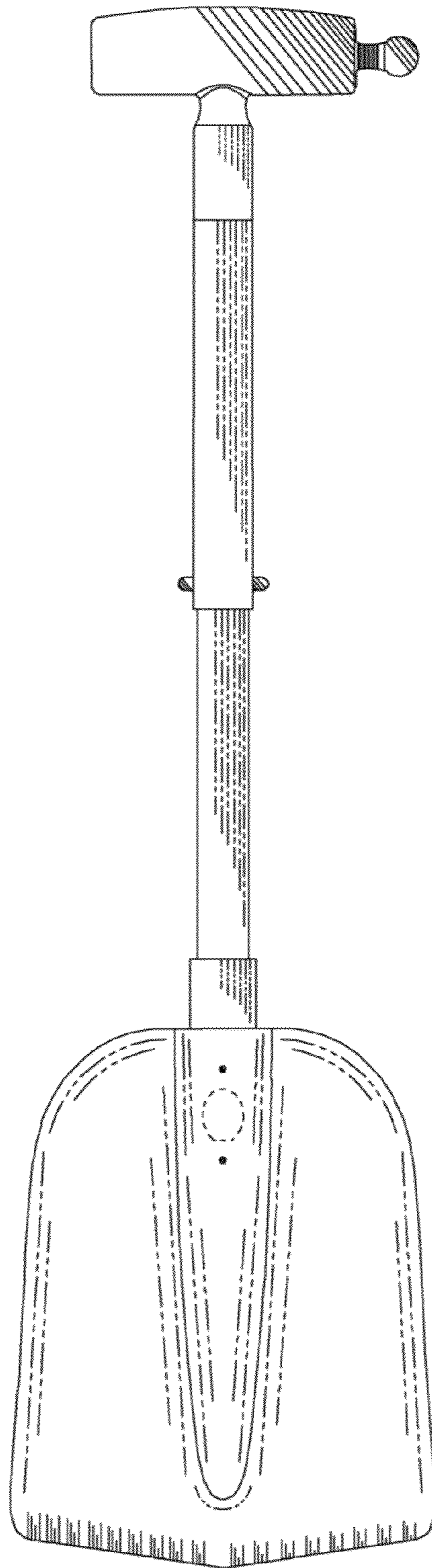


FIG. 3



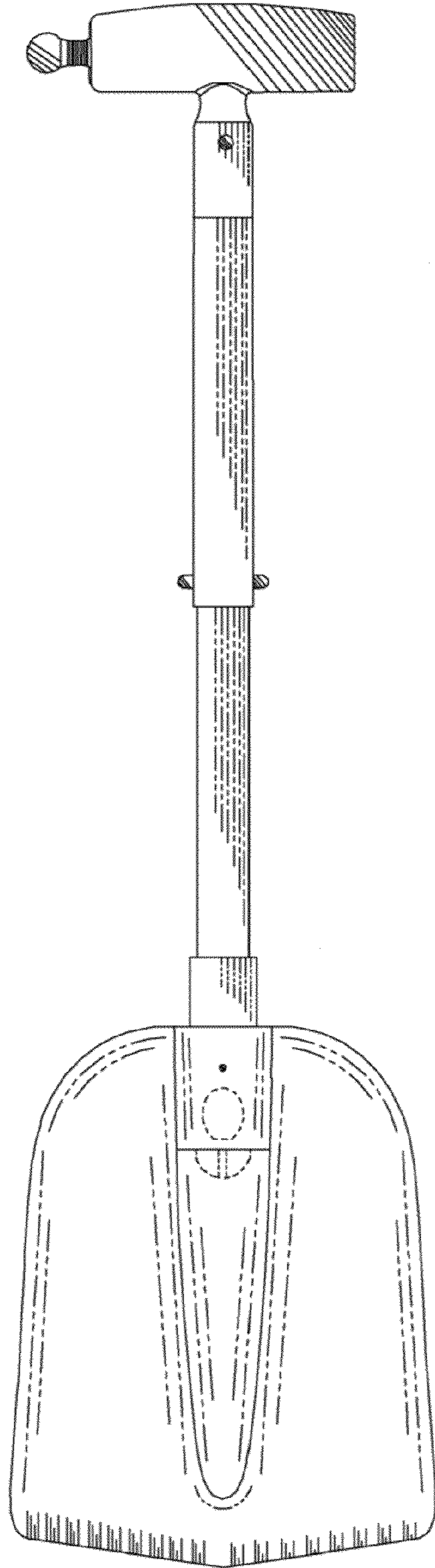


FIG. 4

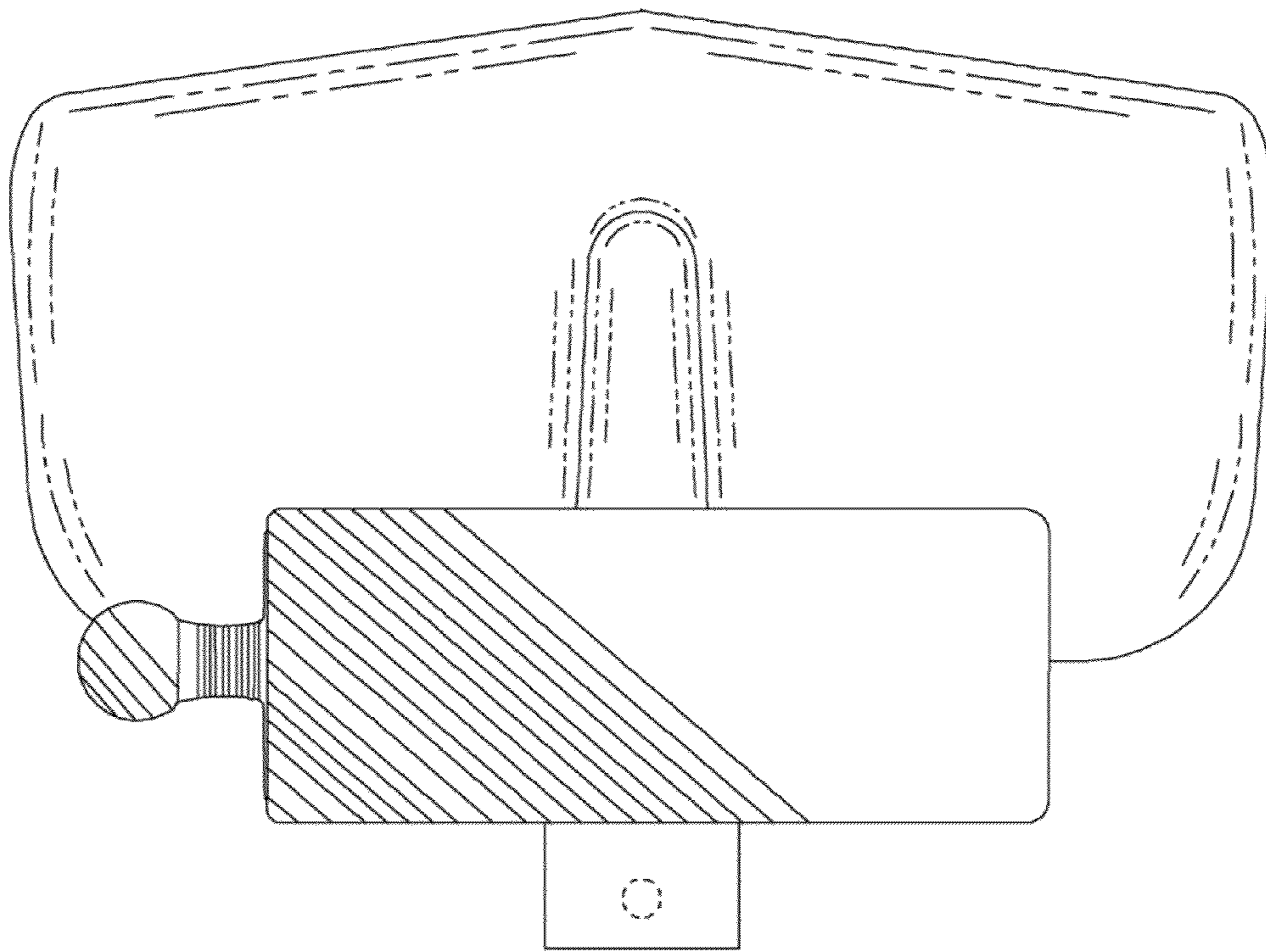


FIG. 5