



US00D711703S

(12) **United States Design Patent**
Boies

(10) **Patent No.:** **US D711,703 S**

(45) **Date of Patent:** **** Aug. 26, 2014**

(54) **TOOL HANDLE**

(71) Applicant: **Garant GP, Saint-Francois (CA)**

(72) Inventor: **David Boies, Levis (CA)**

(73) Assignee: **Garant GP, St-François, Québec (CA)**

(**) Term: **14 Years**

(21) Appl. No.: **29/473,724**

(22) Filed: **Nov. 25, 2013**

(51) **LOC (10) Cl.** **08-01**

(52) **U.S. Cl.**
USPC **D8/10**

(58) **Field of Classification Search**
CPC A01B 11/00; A01B 1/02; A01B 1/04
USPC D8/1, 10, 107; 294/49, 53.5, 54.5, 51,
294/58, 56, 57, 55.5; 56/400.1
See application file for complete search history.

D534,045 S	12/2006	Fortier	
D563,181 S	3/2008	Gailey	
D569,697 S *	5/2008	Baker	D8/10
D592,920 S *	5/2009	Boies et al.	D8/10
D603,229 S	11/2009	Atnip et al.	
D604,126 S	11/2009	Boies et al.	
D604,573 S *	11/2009	Boies et al.	D8/10
D606,817 S *	12/2009	Boies	D8/10
D606,818 S *	12/2009	Atnip et al.	D8/10
D611,316 S	3/2010	Boies et al.	
D613,567 S *	4/2010	Atnip et al.	D8/10
7,753,421 B2	7/2010	Conaway et al.	
D644,907 S	9/2011	Blanchard	
D650,250 S *	12/2011	Frenkel	D8/10
D653,931 S	2/2012	Blanchard	
D670,150 S	11/2012	Angel et al.	
D670,151 S	11/2012	Angel et al.	

* cited by examiner

Primary Examiner — Sheryl Lane

(57) **CLAIM**
The ornamental design for a tool handle, as shown and described.

(56) **References Cited**

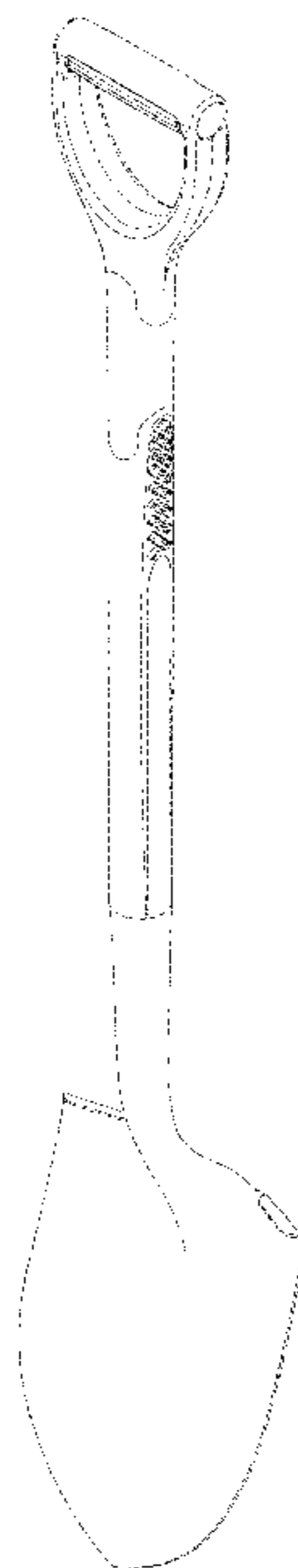
U.S. PATENT DOCUMENTS

3,848,915 A *	11/1974	Wherry	294/49
D242,520 S	11/1976	Nollar	
D392,520 S *	3/1998	Tisbo et al.	D8/10
D398,202 S *	9/1998	Tisbo et al.	D8/10
D402,172 S	12/1998	Tisbo et al.	
D413,774 S	9/1999	Spear	
D437,532 S	2/2001	Petruzzelli	
D466,389 S	12/2002	Clivio	
D486,043 S	2/2004	Bennett	
D495,934 S	9/2004	Lin	
D516,881 S	3/2006	Conaway et al.	
D517,875 S	3/2006	Conaway et al.	
D519,820 S	5/2006	Newman et al.	

DESCRIPTION

FIG. 1 is a perspective view of a tool handle showing my new design;
FIG. 2 is a front view of the tool handle of FIG. 1;
FIG. 3 is a side view of the tool handle of FIG. 1;
FIG. 4 is a top view of the tool handle of FIG. 1;
FIG. 5 is a bottom view of the tool handle of FIG. 1; and,
FIG. 6 is a back view of the tool handle of FIG. 1.
The broken line showing of portions of the tool handle is included for the purpose of illustrating environmental structure and forms no part of the claimed design.

1 Claim, 3 Drawing Sheets



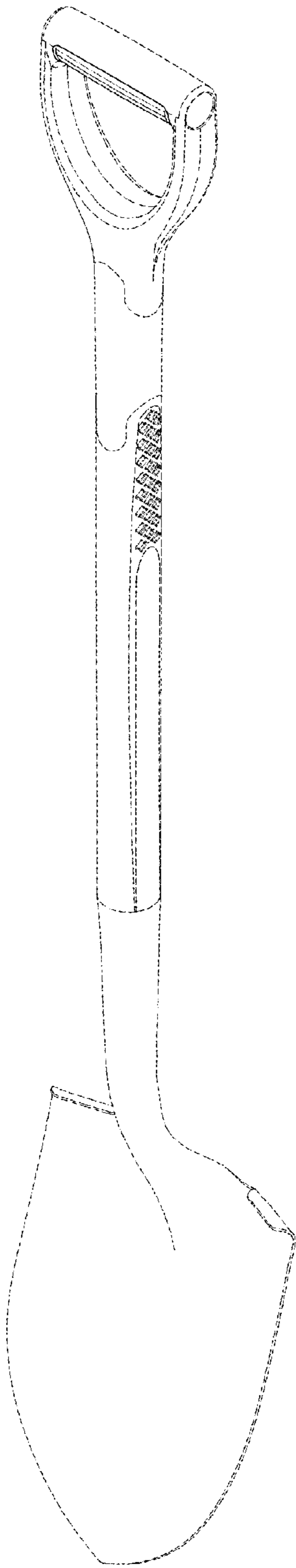


FIG. 1

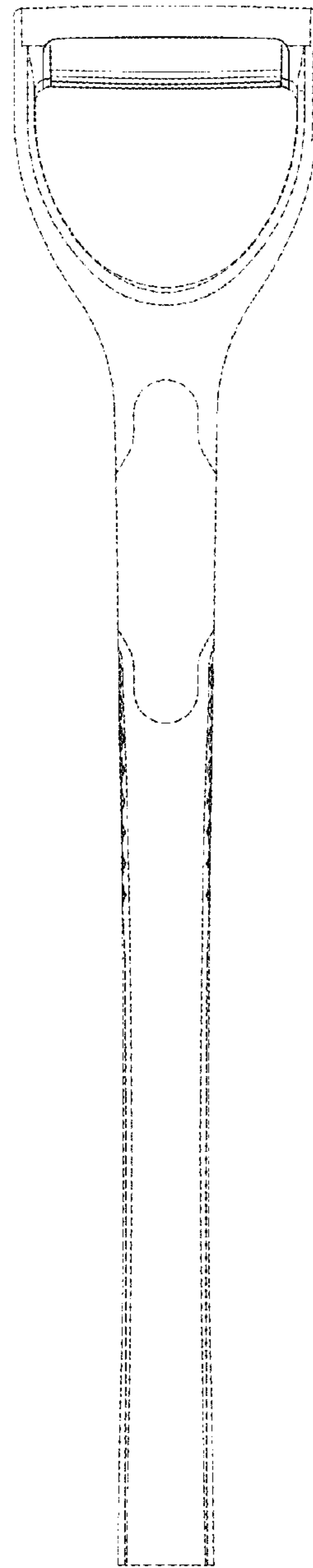


FIG. 2

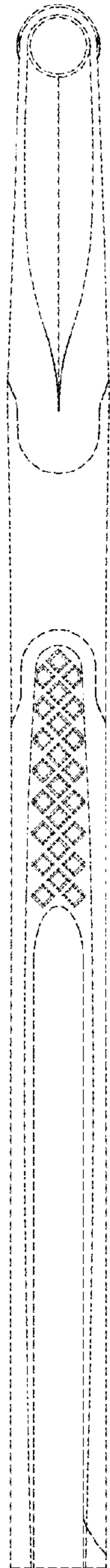


FIG. 3

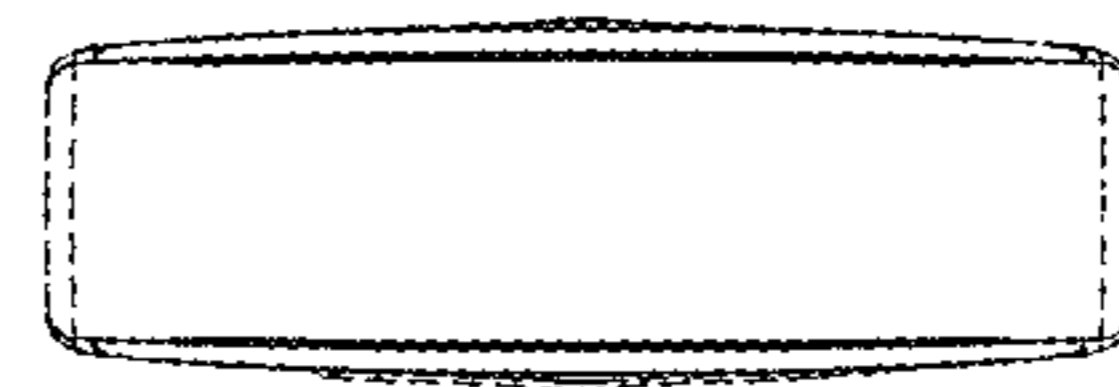


FIG. 4

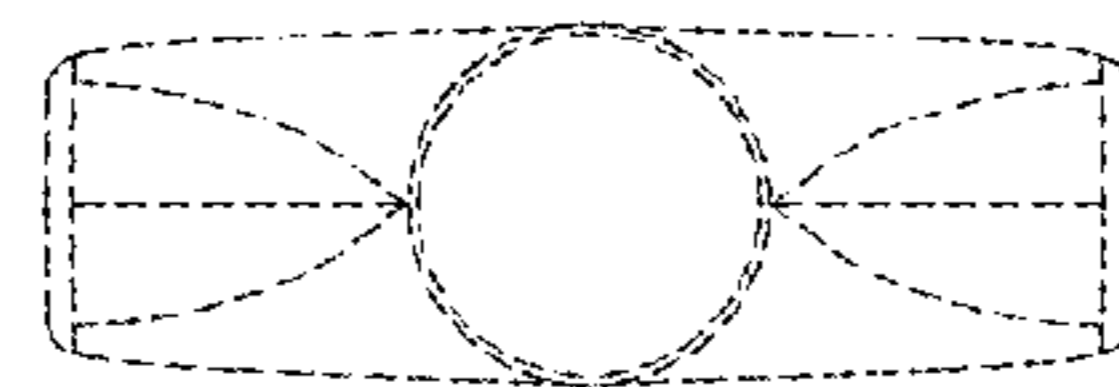


FIG. 5

