



US00D711702S

(12) **United States Design Patent**  
**Hua**

(10) **Patent No.:** **US D711,702 S**

(45) **Date of Patent:** **\*\* Aug. 26, 2014**

(54) **SHOVEL**

(71) Applicant: **Cixi Huazhijie Plastic Product Co., Ltd.**, Zhejiang (CN)

(72) Inventor: **Jie Hua**, Zhejiang (CN)

(\*\*) Term: **14 Years**

(21) Appl. No.: **29/470,190**

(22) Filed: **Oct. 18, 2013**

(51) **LOC (10) Cl.** ..... **08-01**

(52) **U.S. Cl.**  
USPC ..... **D8/10**

(58) **Field of Classification Search**  
USPC ..... D8/1, 10; 294/49, 54.5, 53.5, 55; 7/116;  
56/400.01  
See application file for complete search history.

(56) **References Cited**

**U.S. PATENT DOCUMENTS**

D266,899 S \* 11/1982 Moore et al. .... D8/10  
5,533,768 A \* 7/1996 Mitchell ..... 294/54.5

D565,366 S \* 4/2008 Buscher ..... D8/10  
D606,818 S \* 12/2009 Atnip et al. .... D8/10  
D613,567 S \* 4/2010 Atnip et al. .... D8/10  
D617,159 S \* 6/2010 Blanchard ..... D8/10  
D637,874 S \* 5/2011 Blanchard ..... D8/10

\* cited by examiner

*Primary Examiner* — Sheryl Lane

(74) *Attorney, Agent, or Firm* — Xiyan Zhang

(57) **CLAIM**

The ornamental design for a shovel, as shown and described.

**DESCRIPTION**

FIG. 1 is a front elevation view of the shovel showing my new design;

FIG. 2 is a back elevation view thereof;

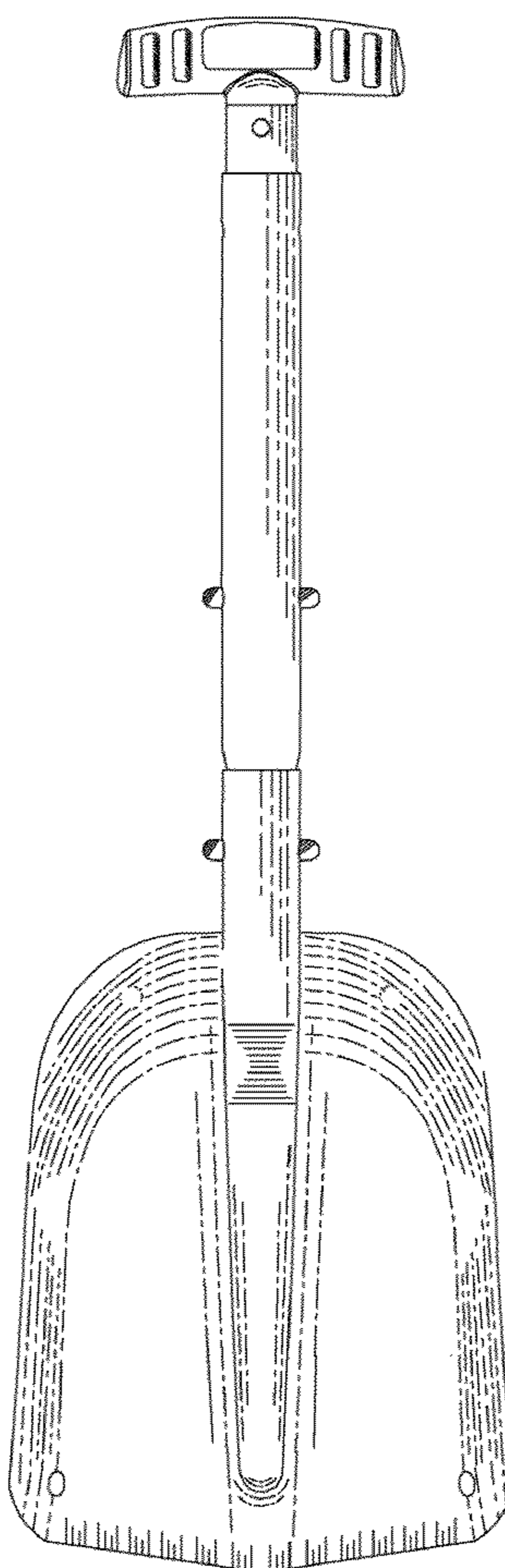
FIG. 3 is a right elevation view thereof;

FIG. 4 is a left elevation view thereof; and,

FIG. 5 is a downward plan view thereof.

The broken lines represent portions of the shovel and forms no part of the claimed design.

**1 Claim, 5 Drawing Sheets**



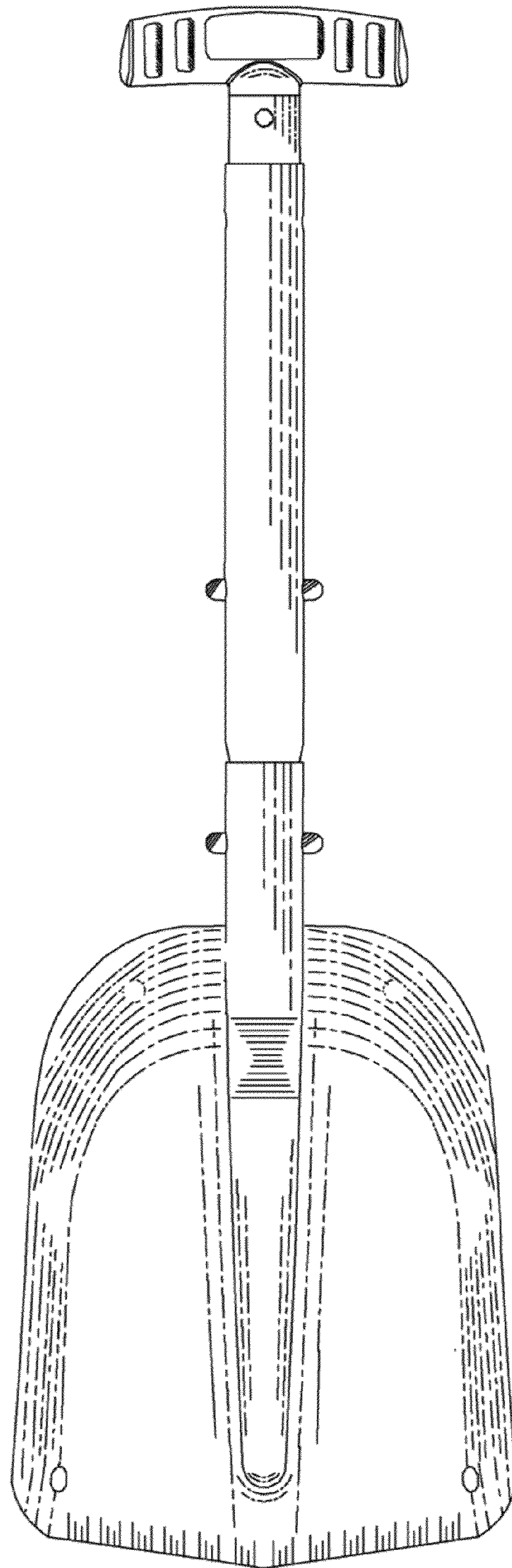


FIG. 1

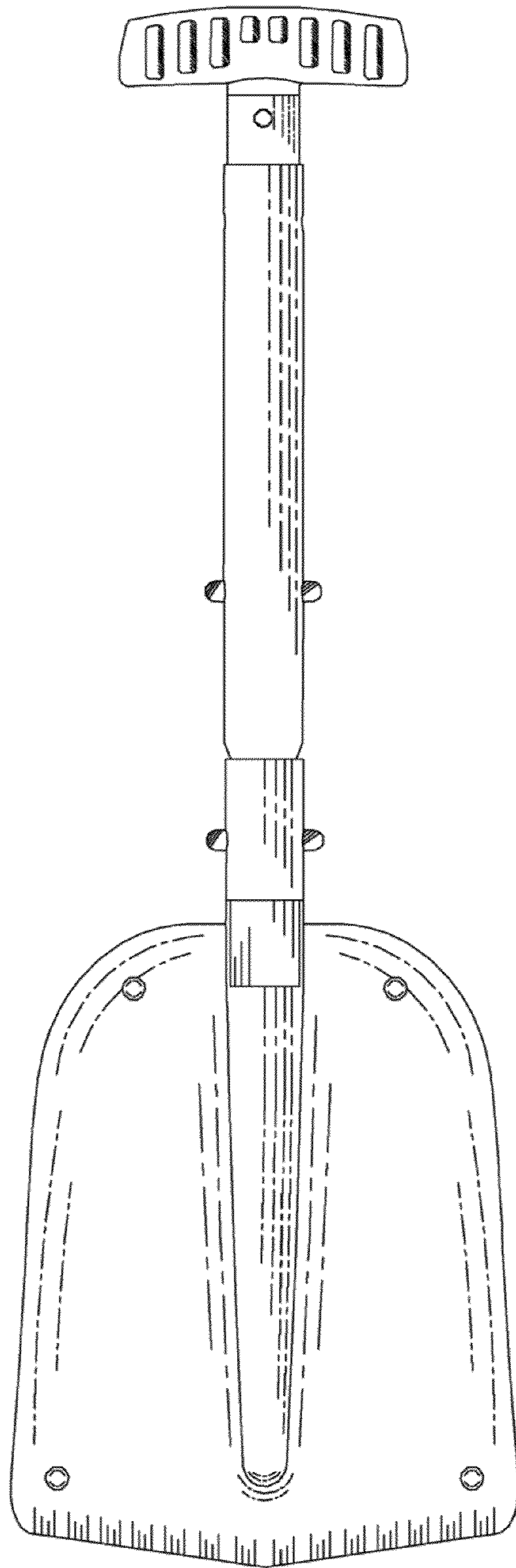


FIG. 2

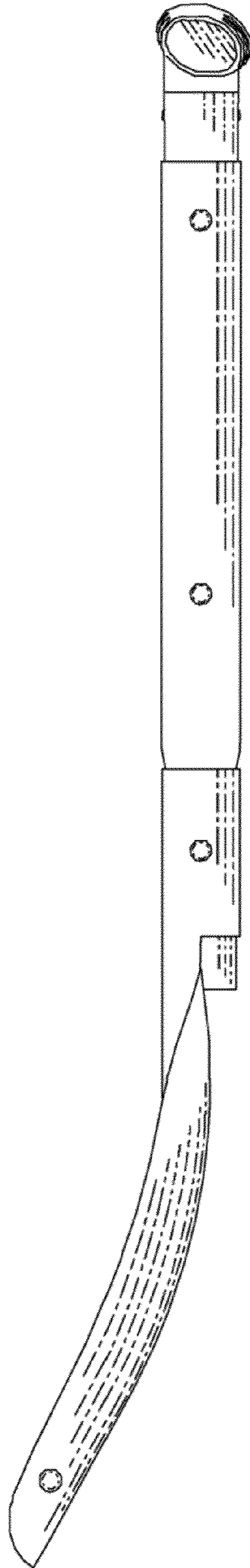


FIG. 3



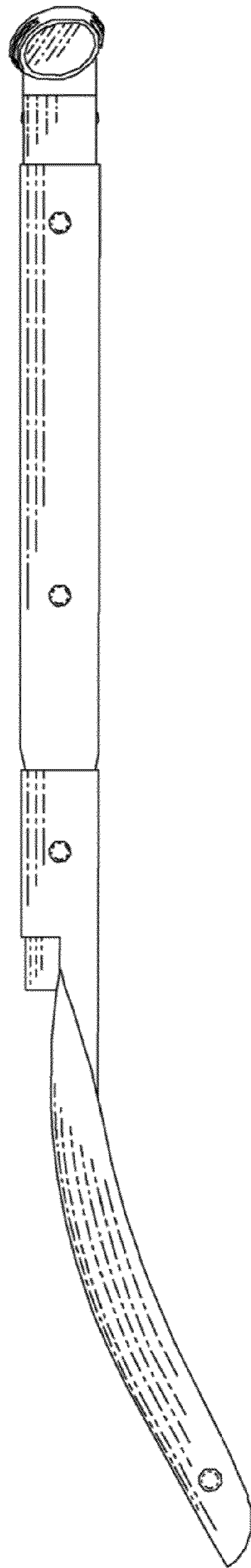


FIG. 4

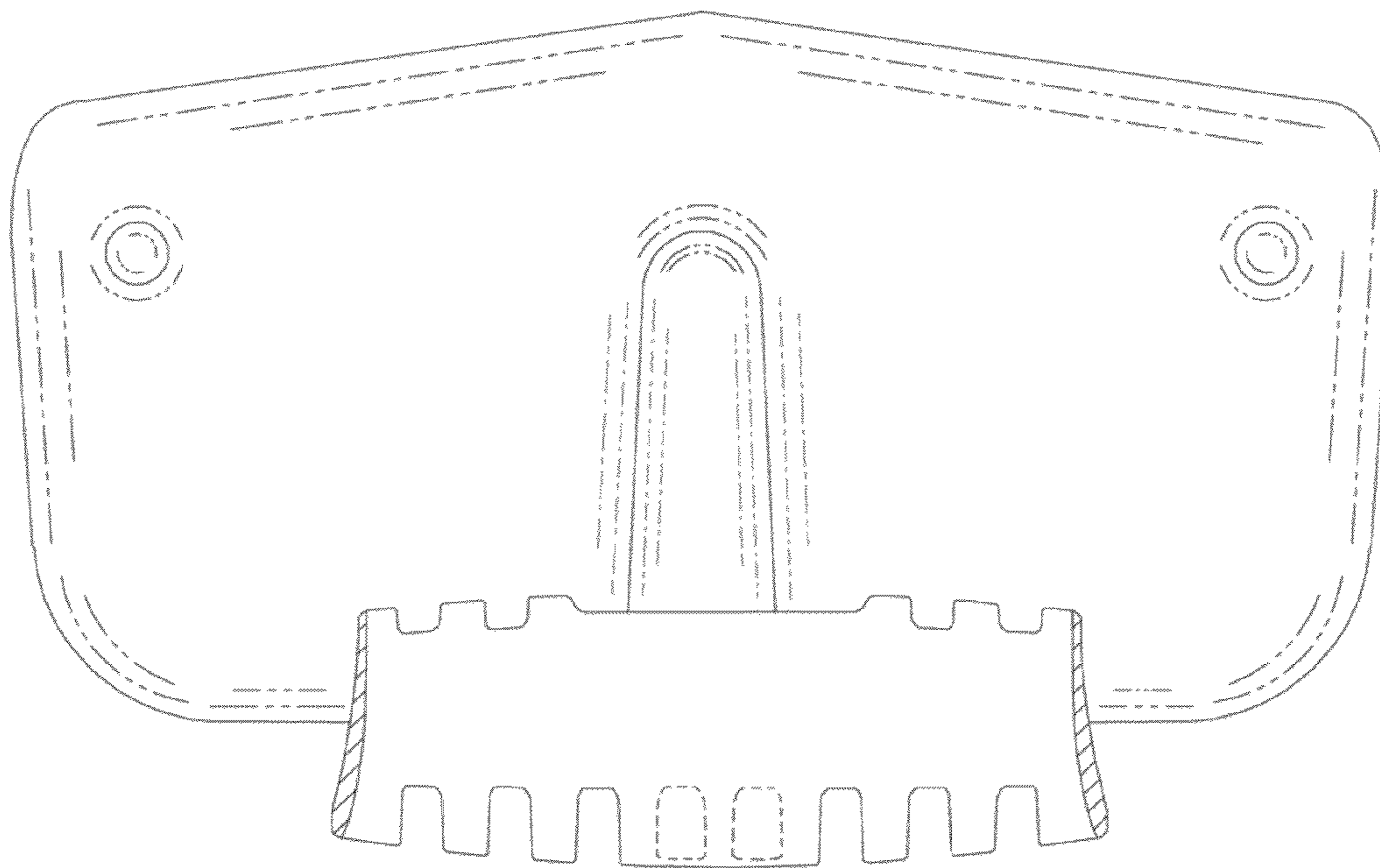


FIG. 5