



US00D711701S

(12) **United States Design Patent**
Hua

(10) **Patent No.:** **US D711,701 S**

(45) **Date of Patent:** **** Aug. 26, 2014**

(54) **SHOVEL**

(71) Applicant: **Cixi Huazhijie Plastic Product Co., Ltd.**, Zhejiang (CN)

(72) Inventor: **Jie Hua**, Zhejiang (CN)

(**) Term: **14 Years**

(21) Appl. No.: **29/470,189**

(22) Filed: **Oct. 18, 2013**

(51) **LOC (10) Cl.** **08-01**

(52) **U.S. Cl.**
USPC **D8/10**

(58) **Field of Classification Search**
USPC D8/1, 10; 294/49, 54.5, 53.5, 55; 7/116;
56/400.01

See application file for complete search history.

(56) **References Cited**

U.S. PATENT DOCUMENTS

D266,899 S * 11/1982 Moore et al. D8/10
5,533,768 A * 7/1996 Mitchell 294/54.5

D565,366 S * 4/2008 Buscher D8/10
D606,818 S * 12/2009 Atnip et al. D8/10
D613,567 S * 4/2010 Atnip et al. D8/10
D617,159 S * 6/2010 Blanchard D8/10
D637,874 S * 5/2011 Blanchard D8/10

* cited by examiner

Primary Examiner — Sheryl Lane

(74) *Attorney, Agent, or Firm* — Xiyan Zhang

(57) **CLAIM**

The ornamental design for a shovel, as shown and described.

DESCRIPTION

FIG. 1 is a front elevation view of the shovel showing my new design;

FIG. 2 is a back elevation view thereof;

FIG. 3 is a right elevation view thereof;

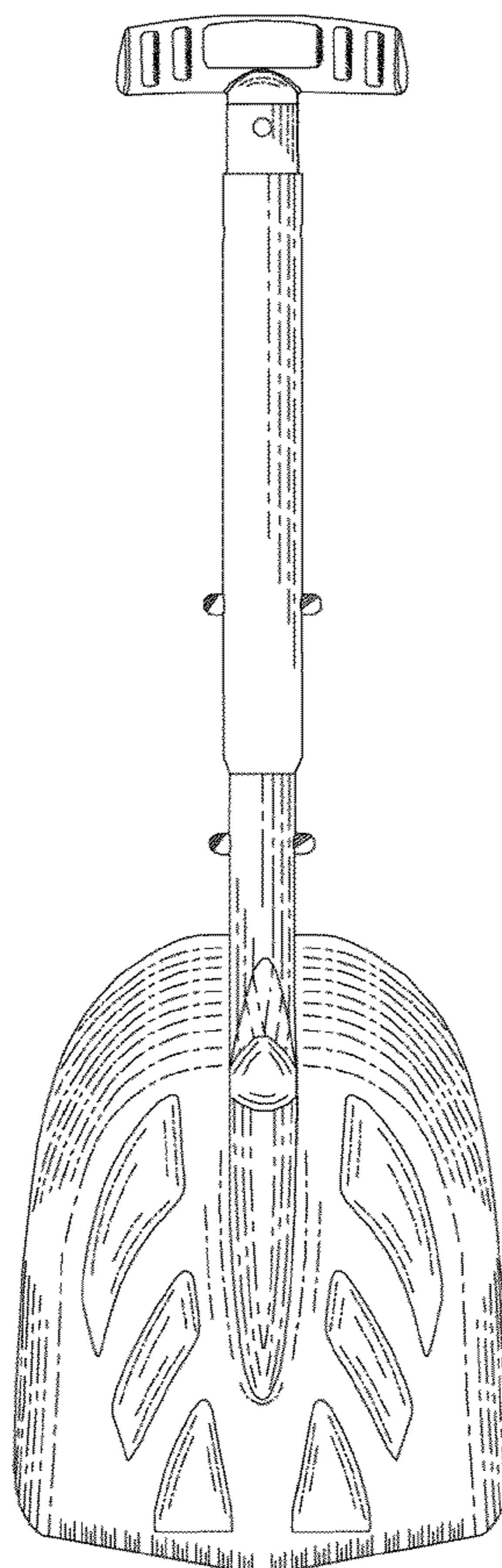
FIG. 4 is a left elevation view thereof;

FIG. 5 is an upward plan view thereof; and,

FIG. 6 is a downward plan view thereof.

The broken lines shown in FIGS. 3, 4, 5 and 6 represent portions of the shovel and forms no part of the claimed design.

1 Claim, 5 Drawing Sheets



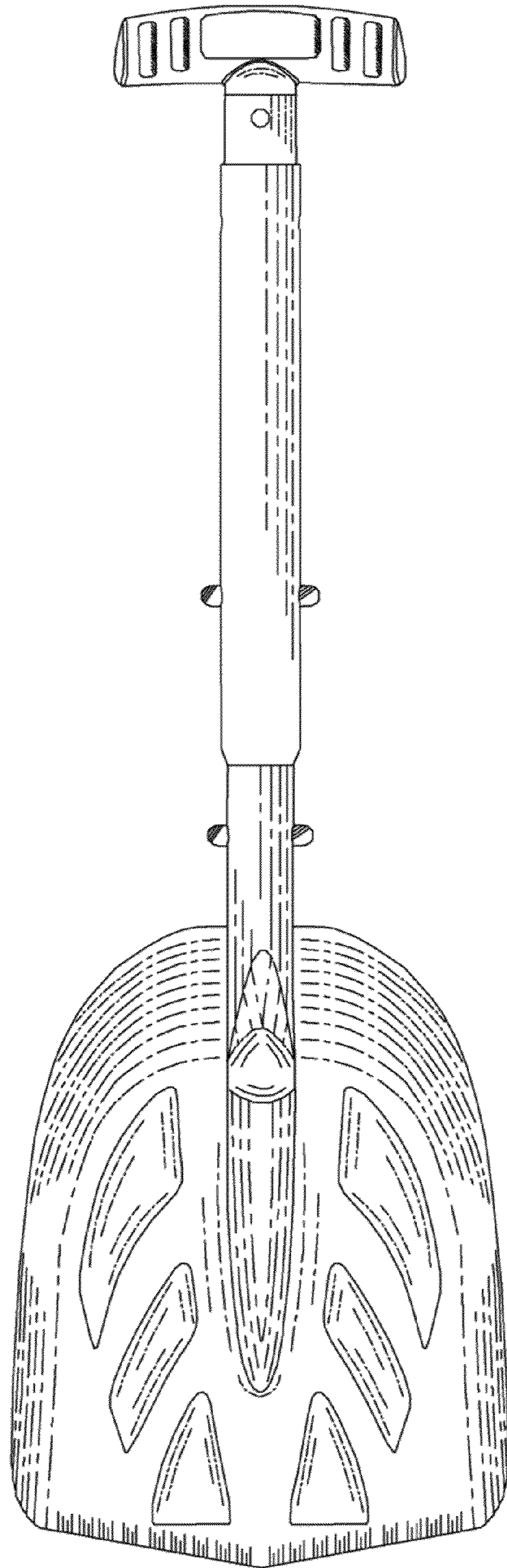


FIG. 1

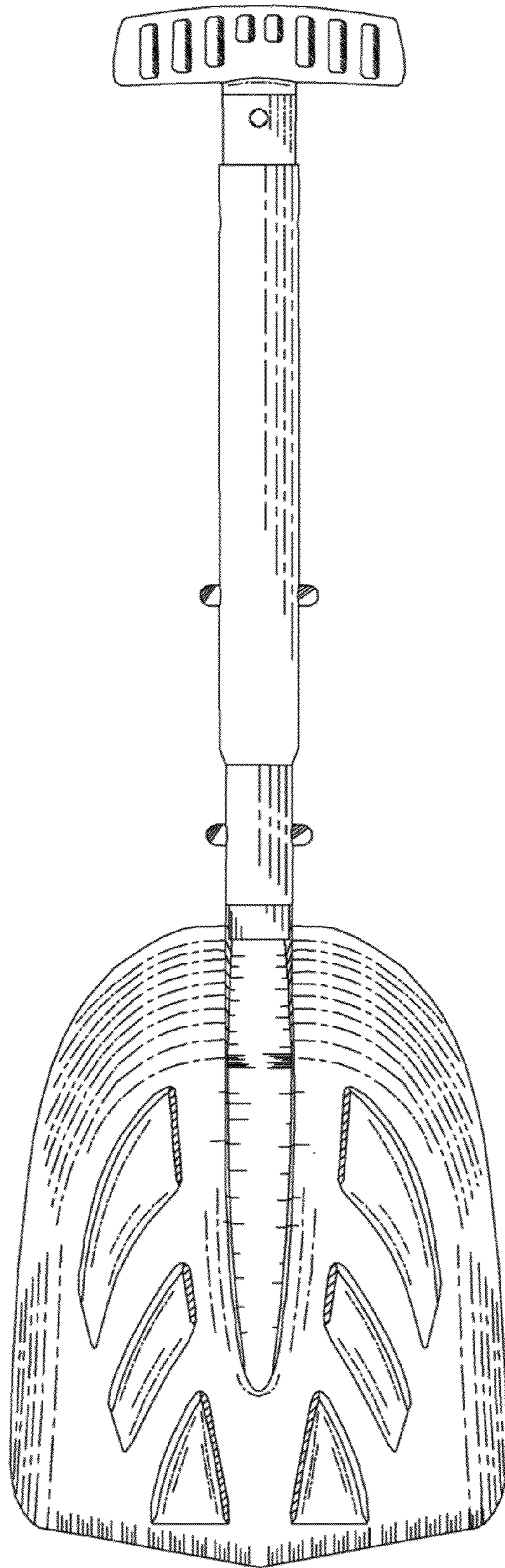


FIG. 2

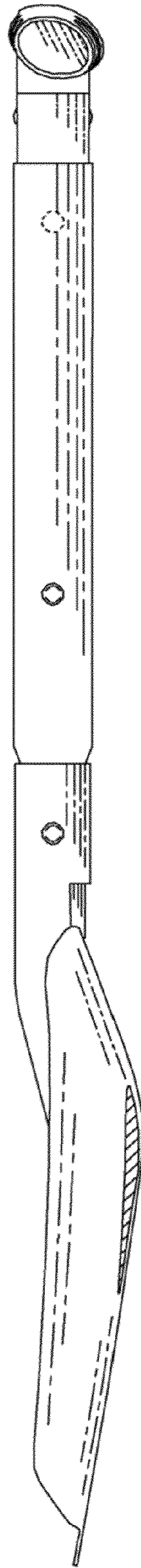


FIG. 3

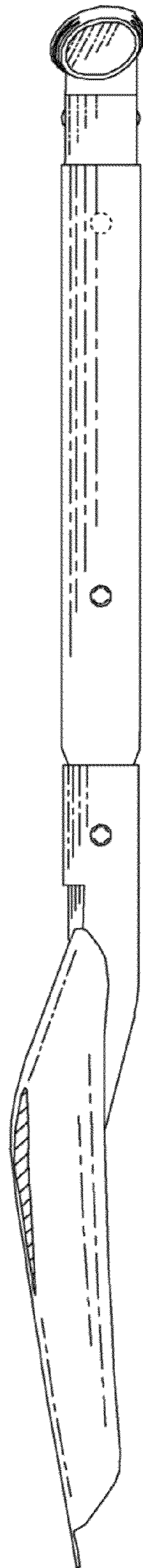


FIG. 4

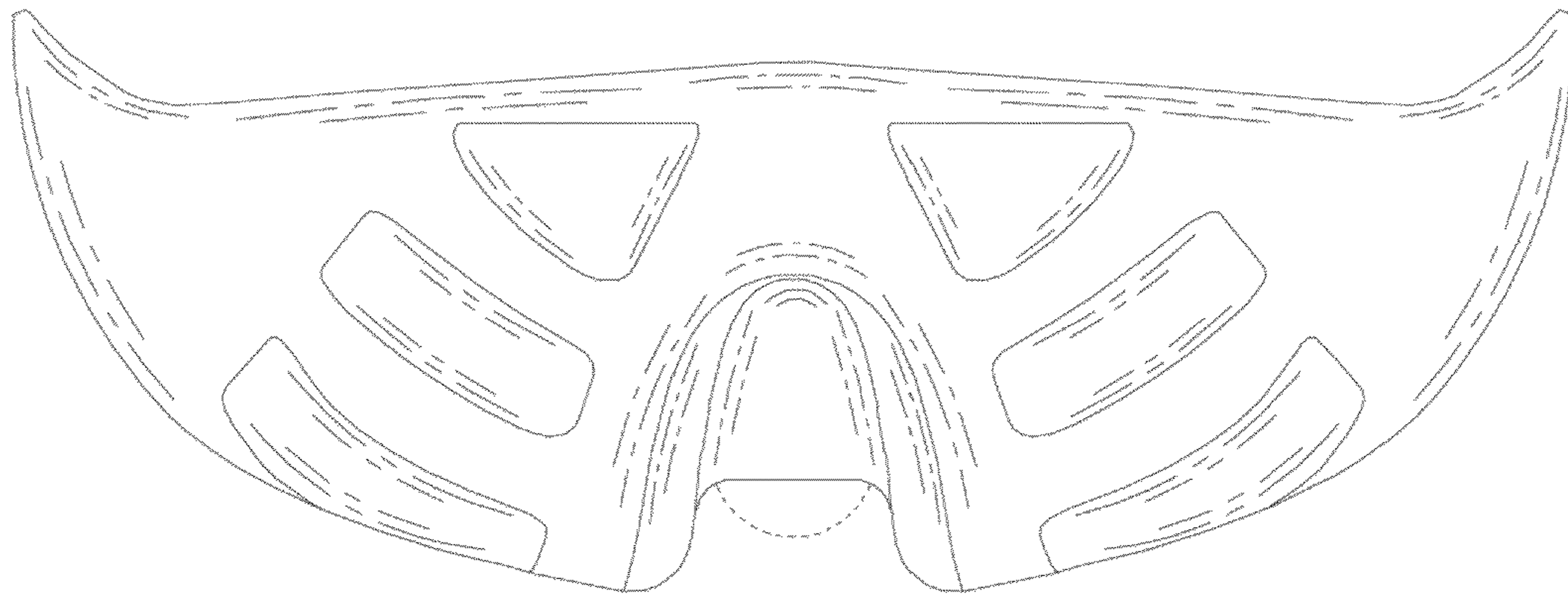


FIG. 5

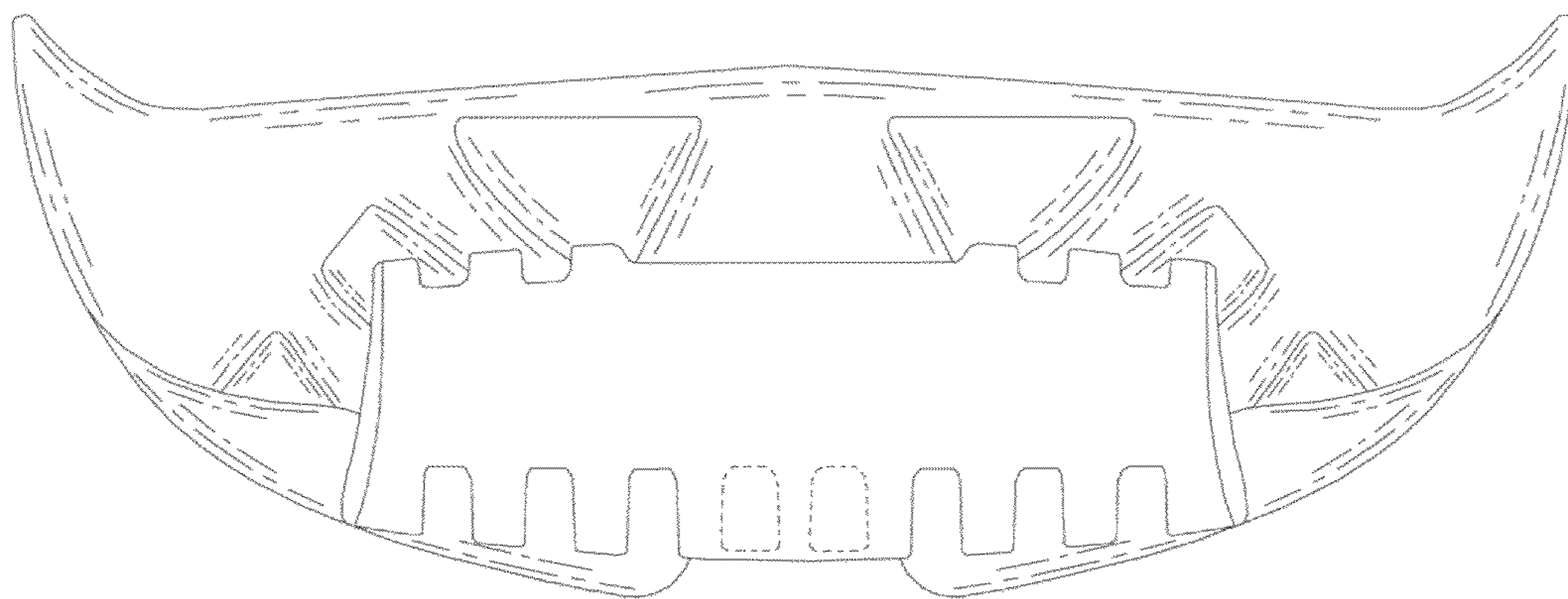


FIG. 6