



US00D711700S

(12) **United States Design Patent**  
**Mehra et al.**

(10) **Patent No.:** **US D711,700 S**

(45) **Date of Patent:** **\*\* Aug. 26, 2014**

(54) **TRIMMER**

(71) Applicant: **Husqvarna AB**, Huskvarna (SE)

(72) Inventors: **Rajinder Mehra**, Johanneshov (SE);  
**Gustav Landberg**, Stockholm (SE)

(73) Assignee: **Husqvarna AB**, Huskvarna (SE)

(\*\*) Term: **14 Years**

(21) Appl. No.: **29/451,892**

(22) Filed: **Apr. 10, 2013**

(30) **Foreign Application Priority Data**

Oct. 15, 2012 (EM) ..... 002118323-0002

(51) **LOC (10) Cl.** ..... **08-01**

(52) **U.S. Cl.**

USPC ..... **D8/8**; D8/65

(58) **Field of Classification Search**

USPC ..... D8/7, 8, 9, 61, 62, 63, 64, 65, 66, 67,  
D8/70, 91; D15/1; D21/232; 30/123, 208,  
30/216, 228, 276, 371, 381, 382, 383,  
30/386; 56/12.7, 233-237; 83/832, 833,  
83/834; 123/185.3; 125/21; 172/13

See application file for complete search history.

(56) **References Cited**

**U.S. PATENT DOCUMENTS**

D434,620 S \* 12/2000 Martin ..... D8/8  
D543,805 S \* 6/2007 Houghton ..... D8/8  
D623,909 S \* 9/2010 Tate et al. .... D8/8  
D636,652 S \* 4/2011 Mehra ..... D8/65  
D645,315 S \* 9/2011 Tinius ..... D8/65  
D647,773 S \* 11/2011 Sugishita et al. .... D8/65  
D649,852 S \* 12/2011 Tinius ..... D8/65  
D649,853 S \* 12/2011 Tinius ..... D8/65

(Continued)

**FOREIGN PATENT DOCUMENTS**

DE 102009011685 A1 \* 9/2010 ..... B25F 5/02  
JP 2012000722 A \* 1/2012 ..... B25F 5/00  
JP 2013031931 A \* 2/2013 ..... B27B 17/00

**OTHER PUBLICATIONS**

Hedge Trimmers. Husqvarna 122HD60. Oct. 7, 2013 [online],  
[retrieved on Nov. 21, 2013]. Retrieved from the Internet <URL:  
<http://www.husqvarna.com/us/products/hedge-trimmers/122hd60/>  
>.\*

(Continued)

*Primary Examiner* — Philip S Hyder

*Assistant Examiner* — Darlington Ly

(74) *Attorney, Agent, or Firm* — Nelson Mullins Riley &  
Scarborough LLP

(57) **CLAIM**

The ornamental design for a trimmer, as shown and described.

**DESCRIPTION**

FIG. 1 is a top front, and right side perspective view of a trimmer in accordance with an embodiment of the present invention;

FIG. 2 is a front view of the trimmer of FIG. 1;

FIG. 3 is a rear view of the trimmer of FIG. 1;

FIG. 4 is a top plan view of the trimmer of FIG. 1;

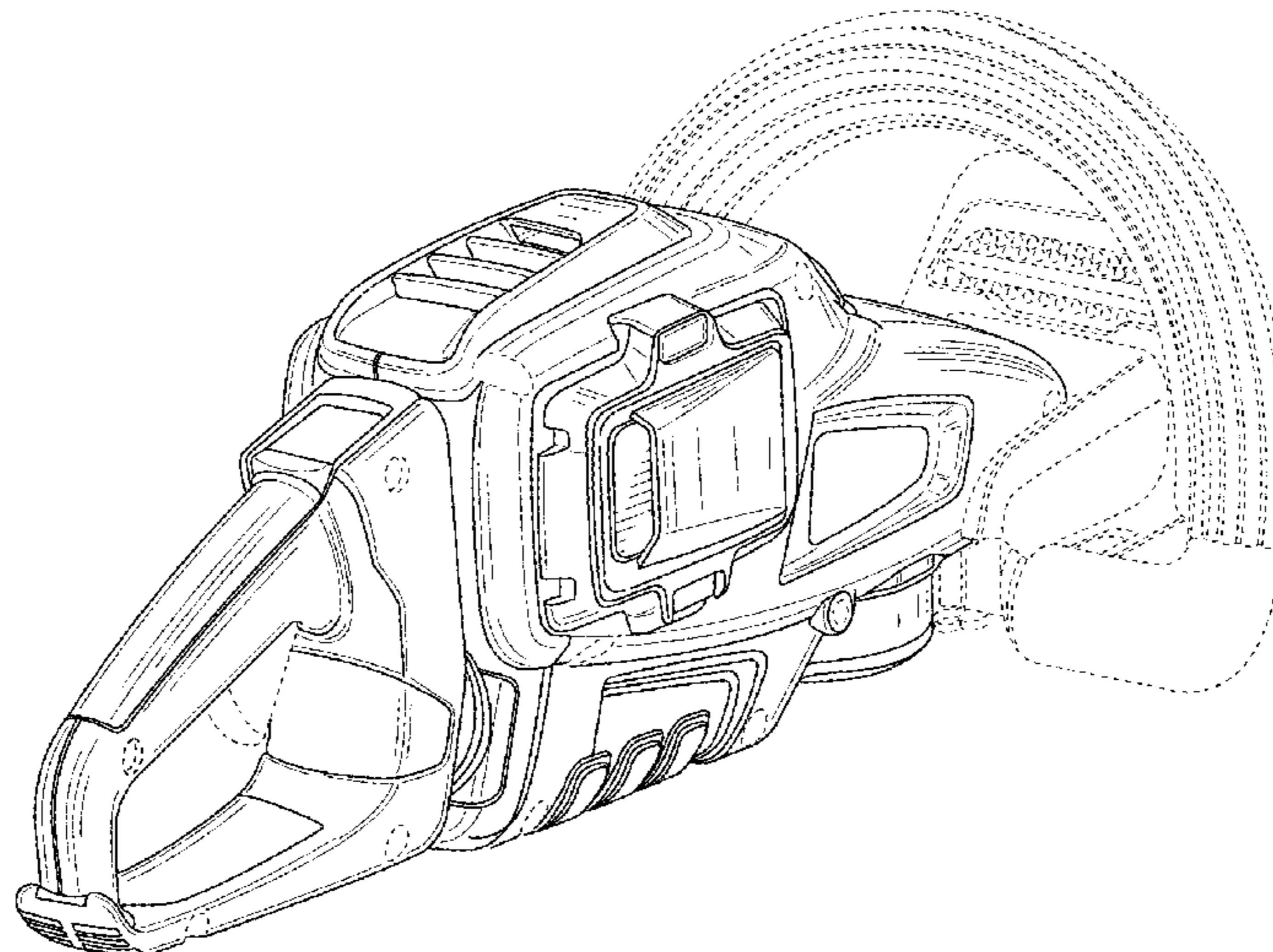
FIG. 5 is a bottom plan view of the trimmer of FIG. 1;

FIG. 6 is a left side view of the trimmer of FIG. 1; and,

FIG. 7 is a right side view of the trimmer of FIG. 1.

The broken lines shown in the drawings illustrate environmental structure and portions of the trimmer that form no part of the claimed design.

**1 Claim, 7 Drawing Sheets**



(56)

**References Cited**

U.S. PATENT DOCUMENTS

D658,959 S \* 5/2012 Landberg ..... D8/65  
D663,599 S \* 7/2012 Tinius ..... D8/65  
2006/0230900 A1\* 10/2006 Bergquisto ..... 83/381  
2006/0254557 A1\* 11/2006 Hamisch et al. .... 123/198 E  
2012/0204432 A1\* 8/2012 Martinsson et al. .... 30/517

OTHER PUBLICATIONS

Black and Decker. 20V 22 in. Lithium Hedge Trimmer. Jun. 12, 2013 [online], [retrieved on Nov. 21, 2013]. Retrieved from the Internet <URL: <http://www.blackanddecker.com/outdoor/LHT2220.aspx>>.\*  
Shindaiwa. DH232 Hedge Trimmer. Parts Catalog. Jun. 12, 2013 [online], [retrieved on Nov. 21, 2013]. Retrieved from the Internet <URL: [http://www.shindaiwa-usa.com/getattachment/9d8f1c6e-d7ab-44c6-a482-e5699801f279/DH232es\\_T22812\\_100713.pdf](http://www.shindaiwa-usa.com/getattachment/9d8f1c6e-d7ab-44c6-a482-e5699801f279/DH232es_T22812_100713.pdf)>.\*

\* cited by examiner

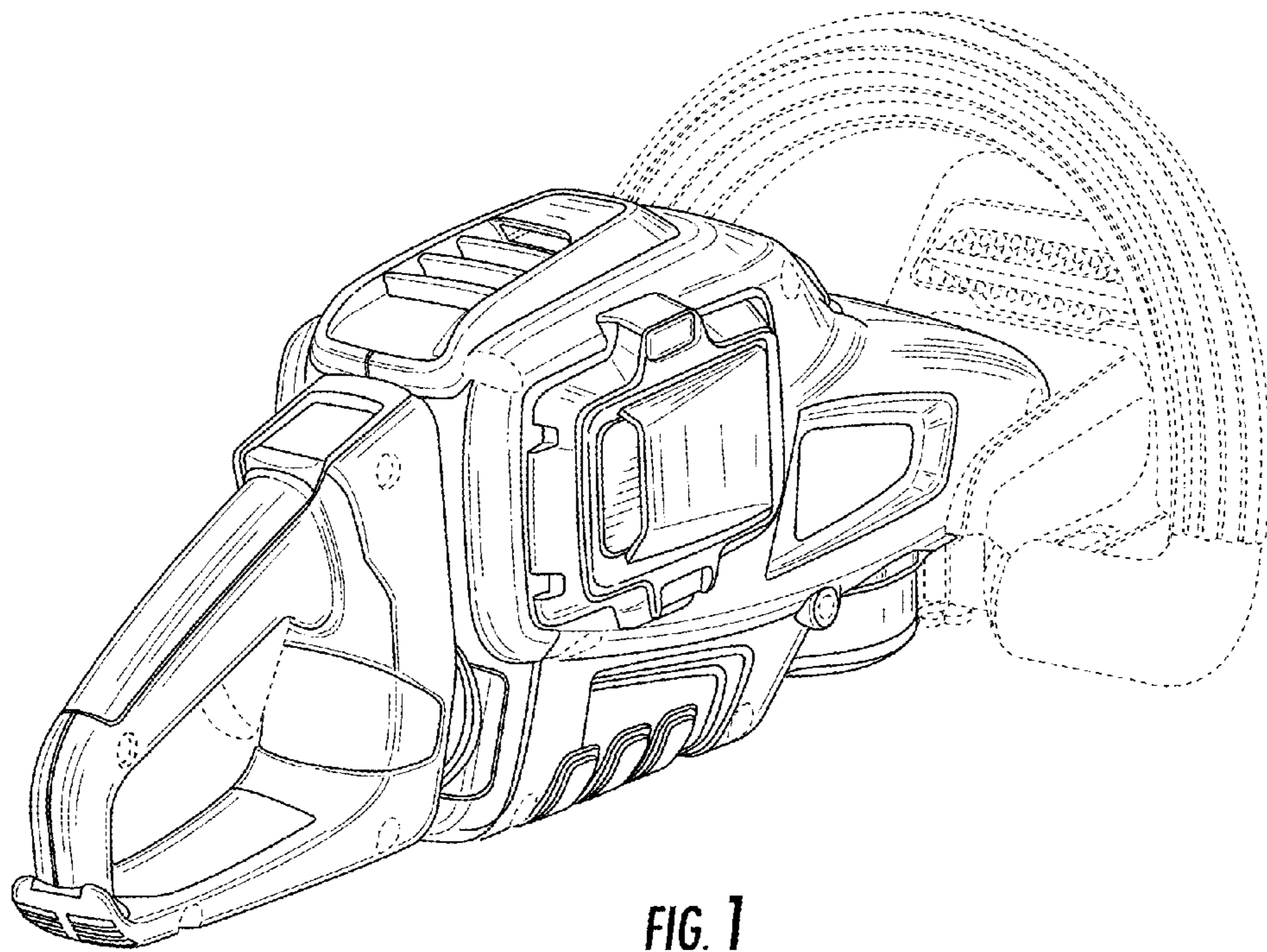


FIG. 1

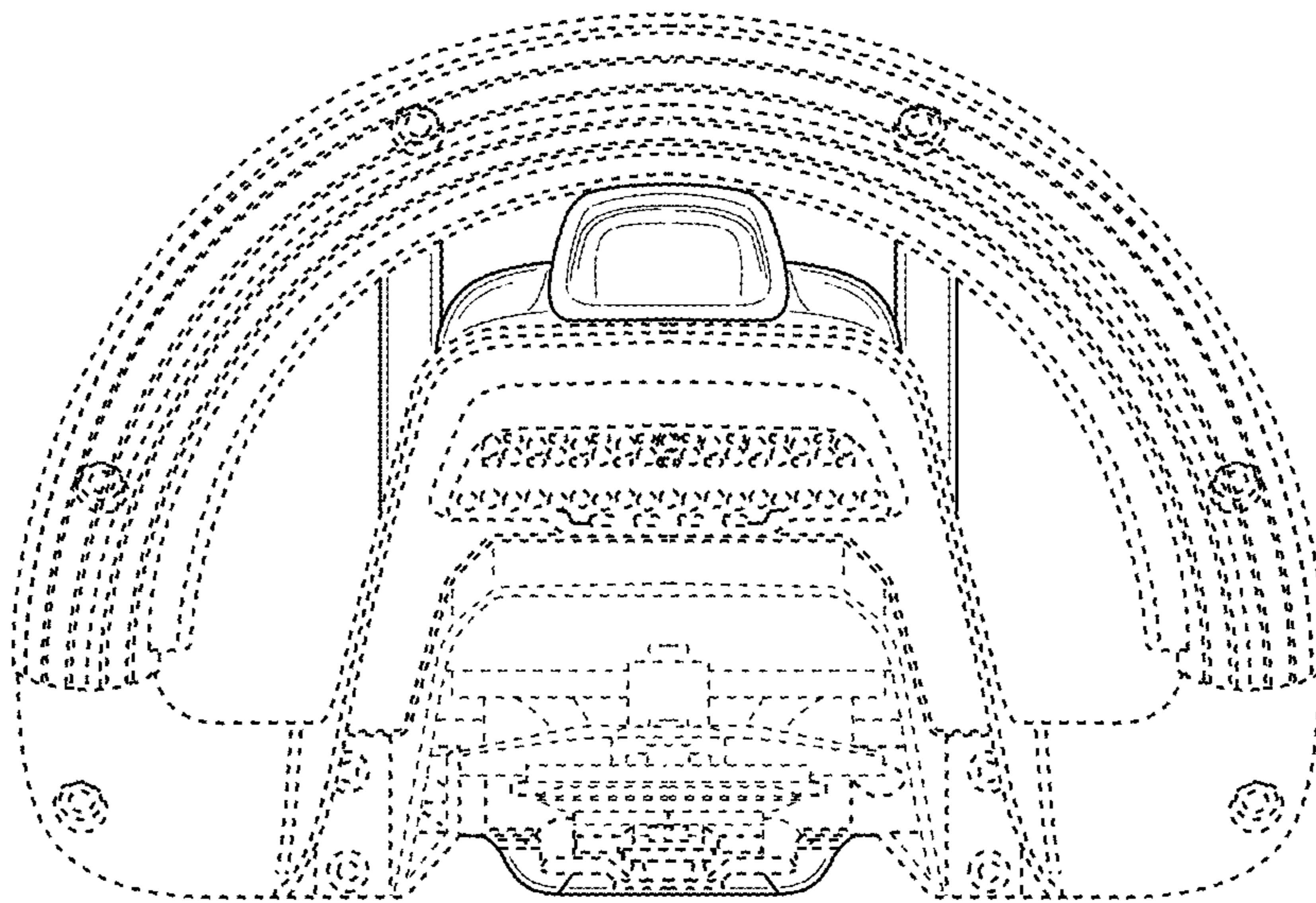
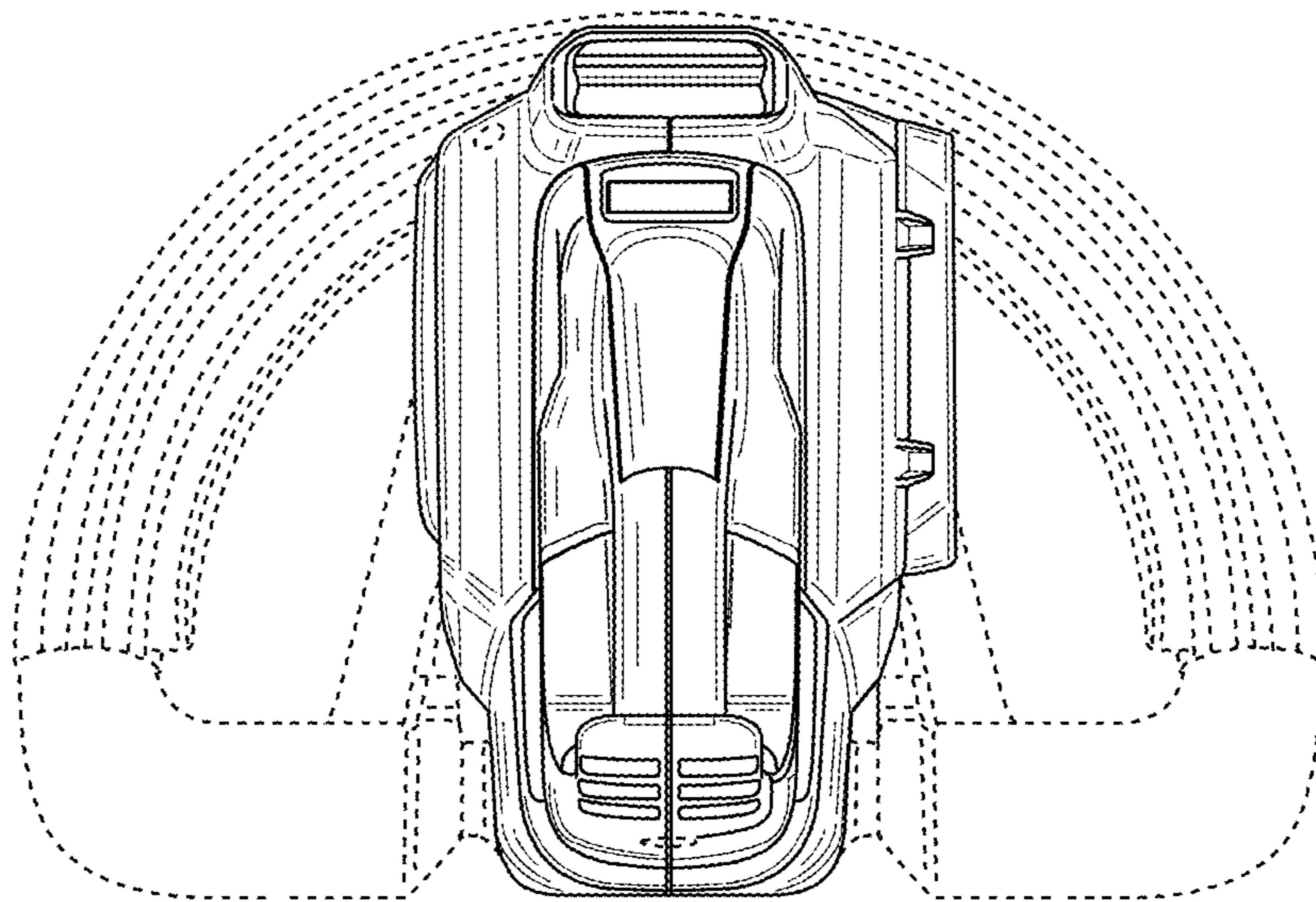


FIG. 2



**FIG. 3**

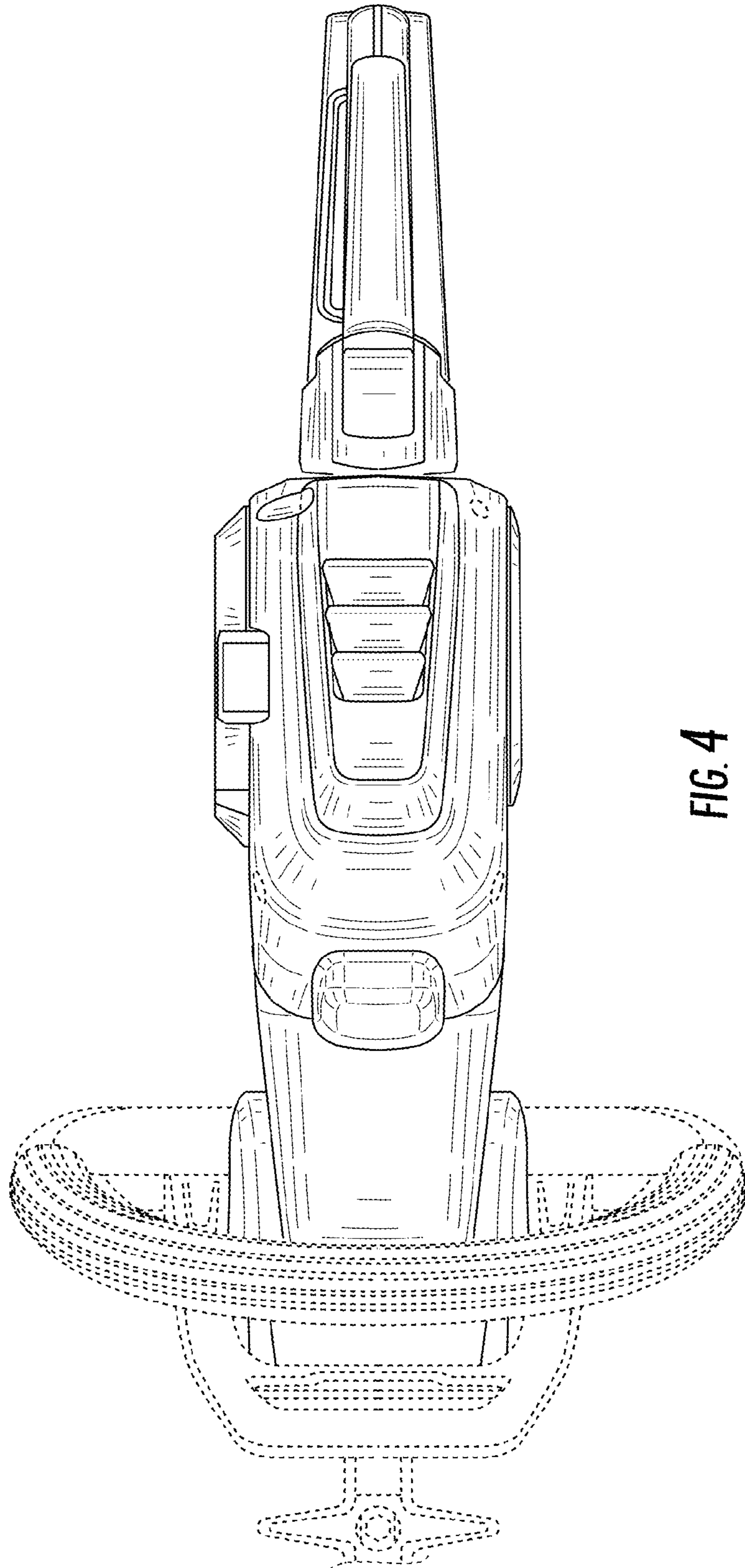


FIG. 4

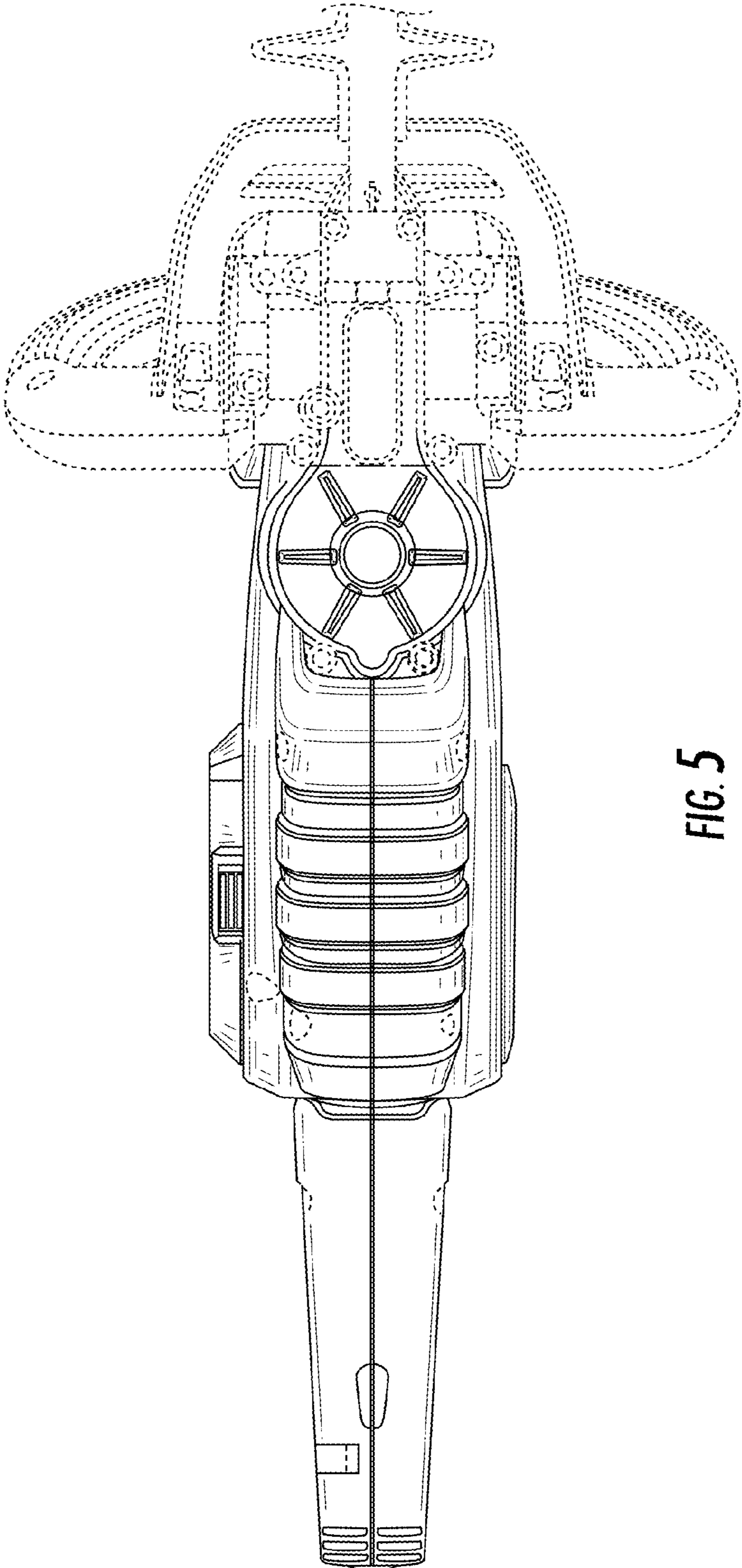


FIG. 5

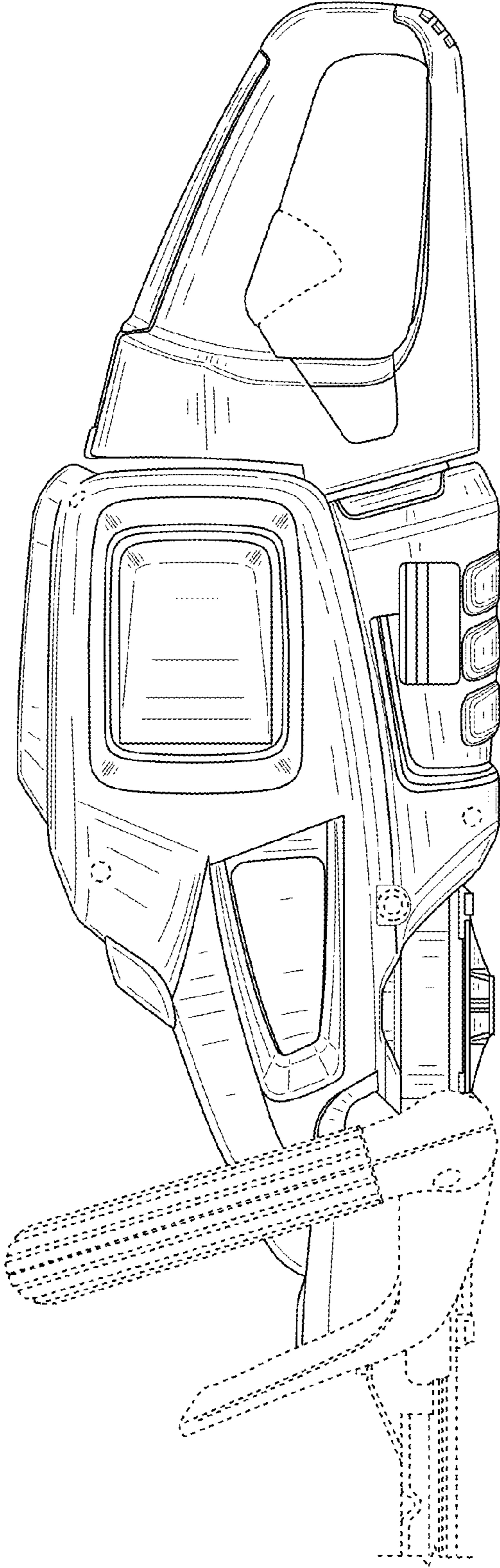


FIG. 6



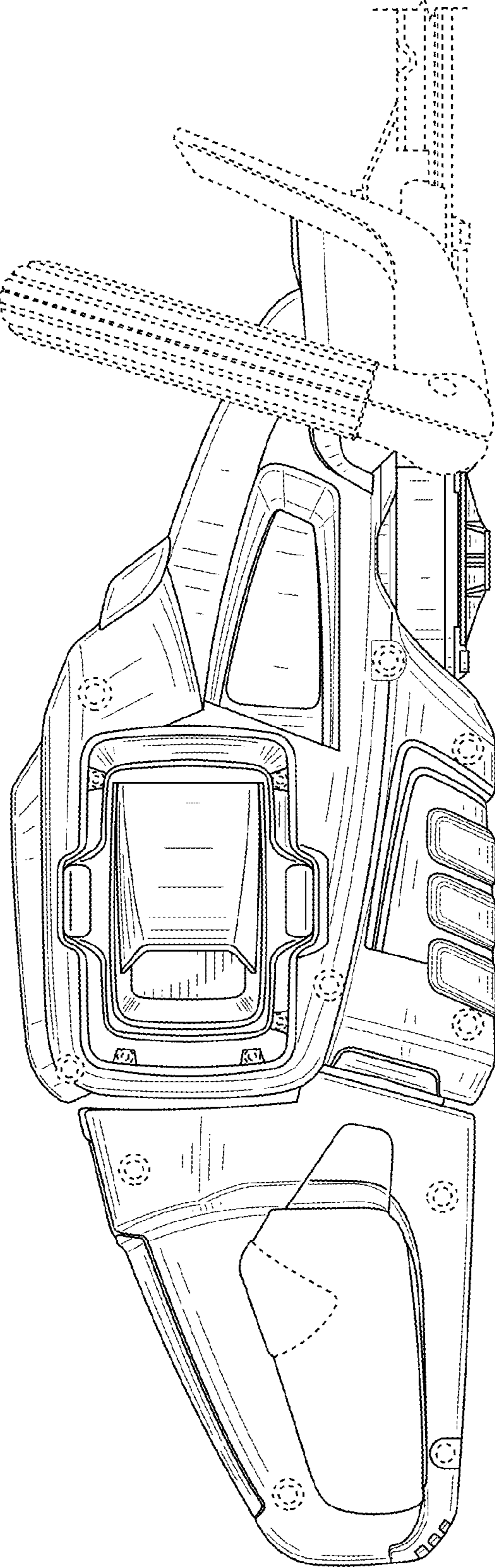


FIG. 7