



US00D711699S

(12) **United States Design Patent**
Amundson

(10) **Patent No.:** **US D711,699 S**

(45) **Date of Patent:** **** Aug. 26, 2014**

(54) **ADJUSTABLE WEED CUTTING TOOL**

(76) Inventor: **Daniel Scott Amundson**, Winona, MN
(US)

(**) Term: **14 Years**

(21) Appl. No.: **29/412,479**

(22) Filed: **Feb. 3, 2012**

Related U.S. Application Data

(63) Continuation-in-part of application No. 13/026,778,
filed on Feb. 14, 2011, now abandoned.

(51) **LOC (10) Cl.** **08-01**

(52) **U.S. Cl.**
USPC **D8/7**

(58) **Field of Classification Search**
CPC A01B 39/18; A01B 39/19; A01B 1/16
USPC D8/1, 7, 9, 11, 12; 172/376, 371-375,
172/380-381; 7/114; 294/53.5
See application file for complete search history.

(56) **References Cited**

U.S. PATENT DOCUMENTS

892,628 A * 7/1908 Stoppel 56/101
2,702,975 A 3/1955 Friesen

2,949,003 A * 8/1960 Wilcox 56/8
3,601,956 A 8/1971 Akermanis
4,583,353 A 4/1986 Shaver
4,852,337 A 8/1989 Peterson
5,146,734 A 9/1992 Smyczek
6,250,054 B1 6/2001 Kramer
D480,281 S * 10/2003 Ota D8/8
6,691,793 B2 * 2/2004 Ota 172/371
7,832,105 B2 11/2010 Vogel

* cited by examiner

Primary Examiner — Sheryl Lane

(74) *Attorney, Agent, or Firm* — Meister Seelig & Fein LLP

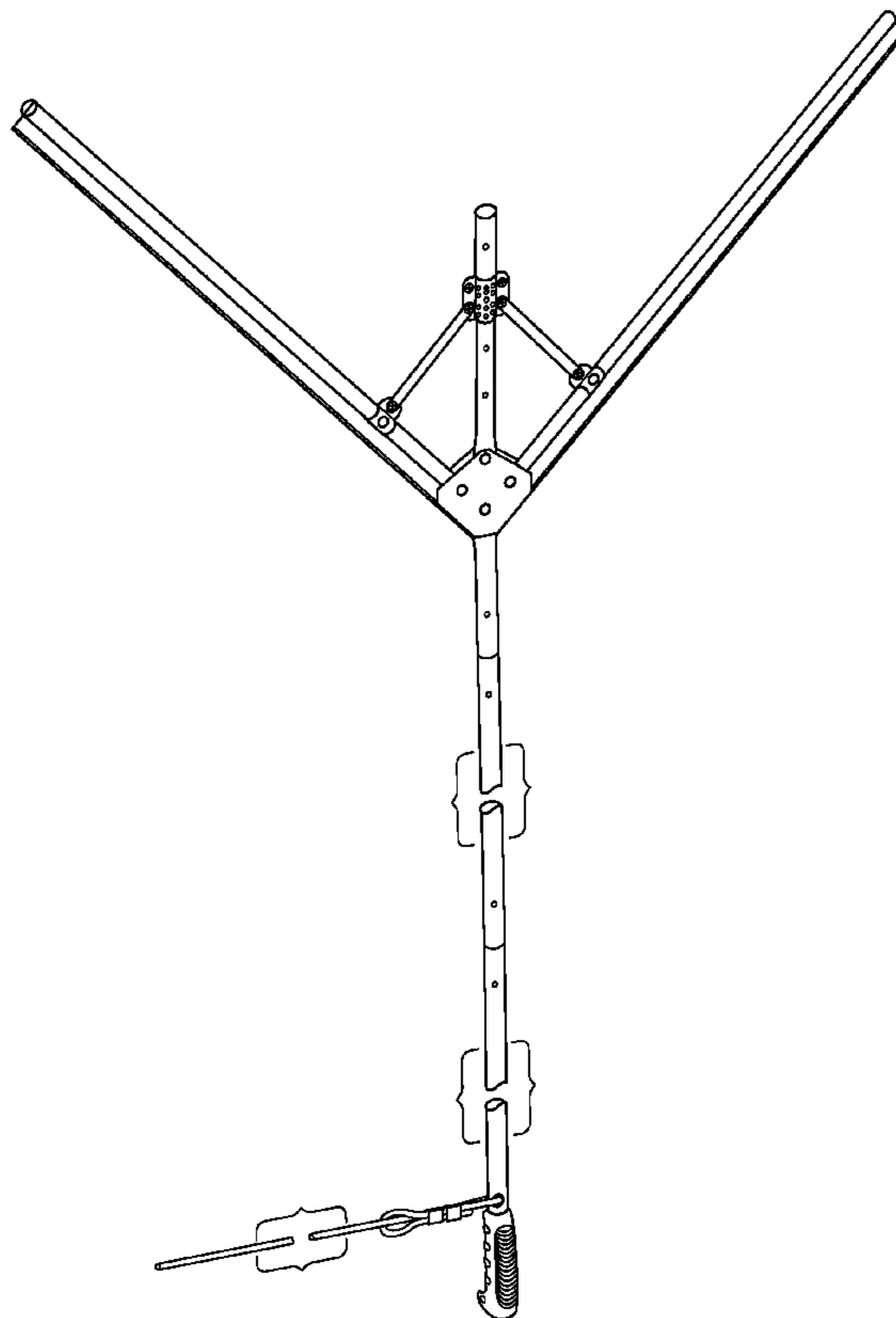
(57) **CLAIM**

The ornamental design for adjustable weed cutting tool, as shown and described.

DESCRIPTION

FIG. 1 is a perspective view of the top, one side and the front of the adjustable weed cutting tool according to one embodiment of my new design;
FIG. 2 is a front view thereof;
FIG. 3 is a back view thereof;
FIG. 4 is a right side view thereof; and,
FIG. 5 is a left side view thereof.
The tool is shown with illustrative breaks. The portions between the break lines form no part of the claimed design.

1 Claim, 5 Drawing Sheets



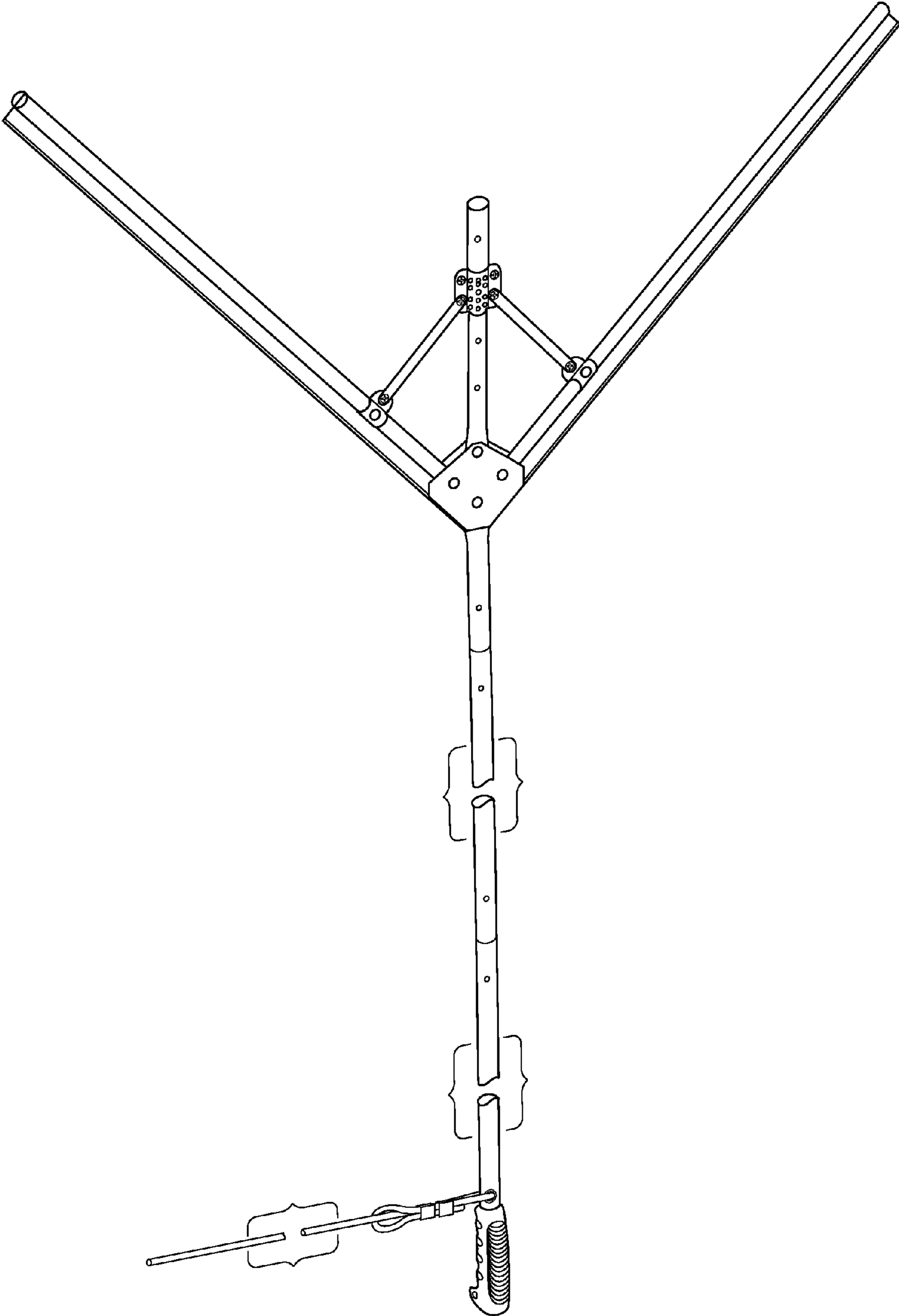


FIG. 1

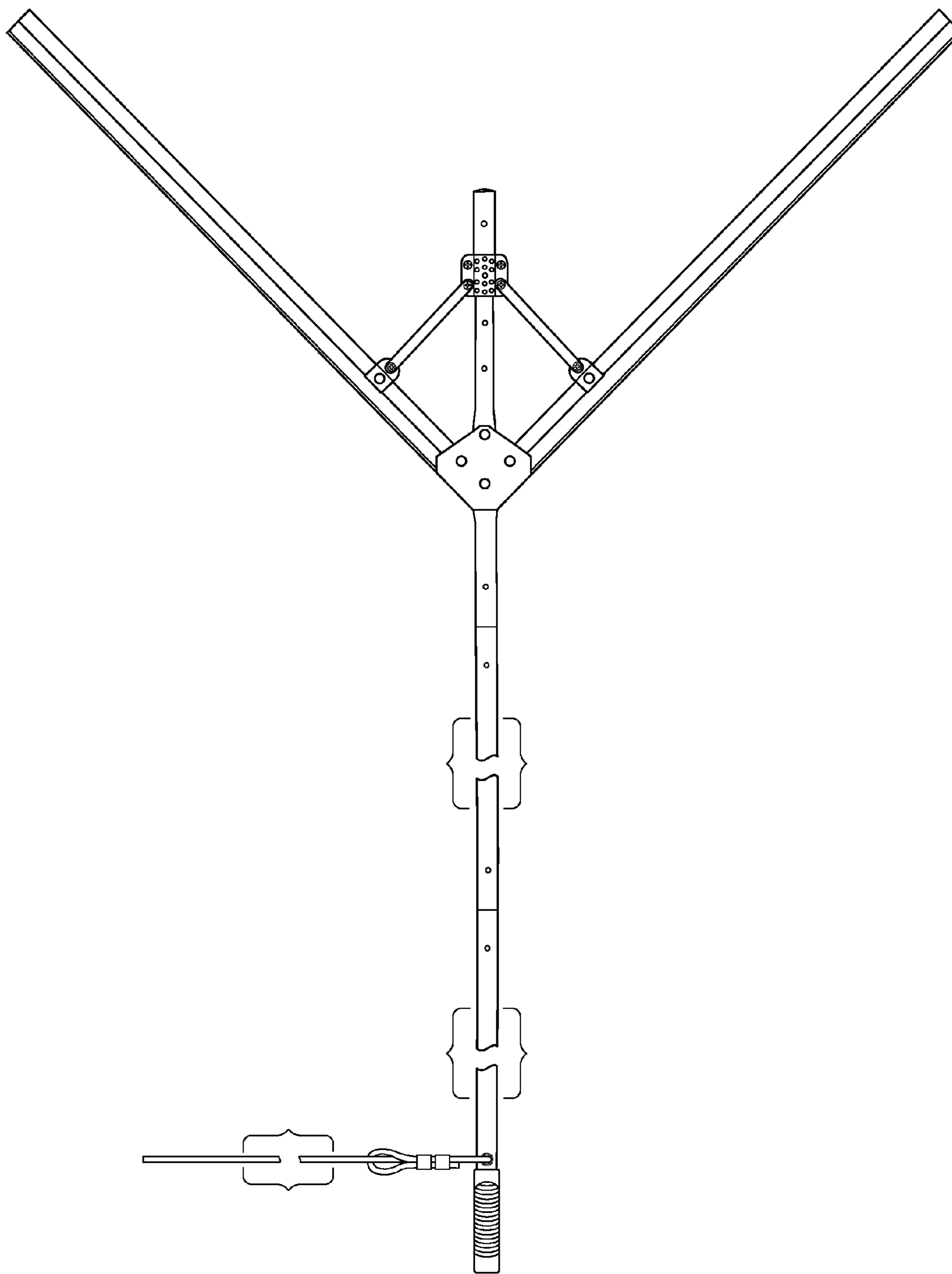


FIG. 2

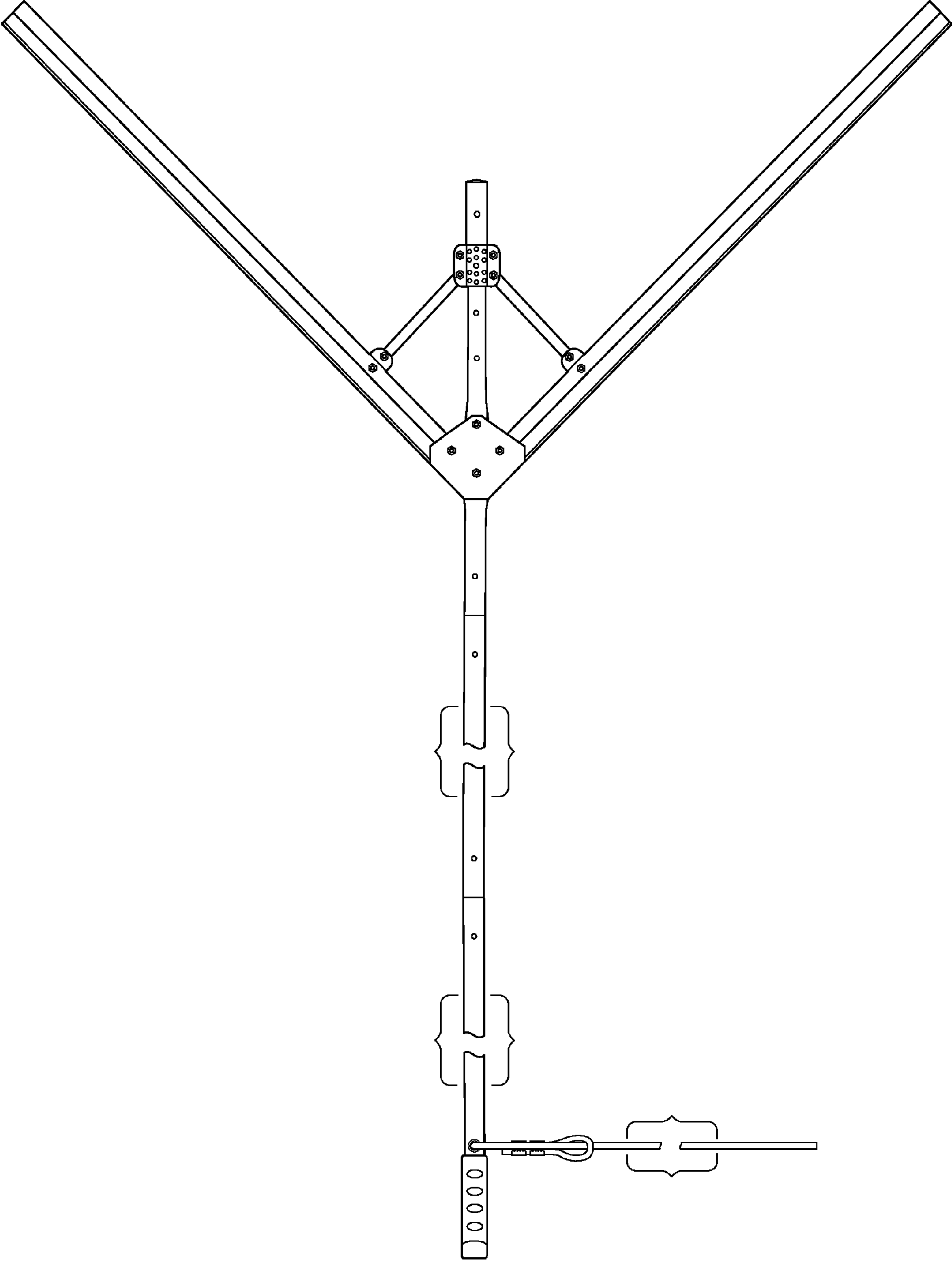


FIG. 3

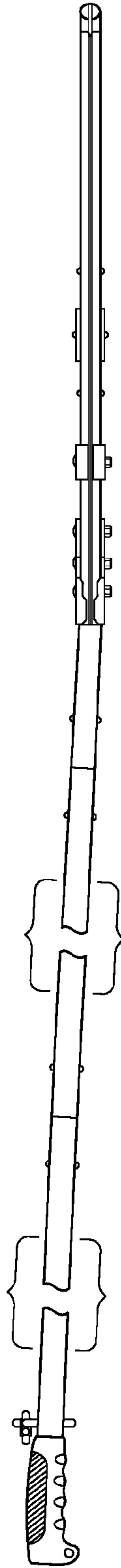


FIG. 4

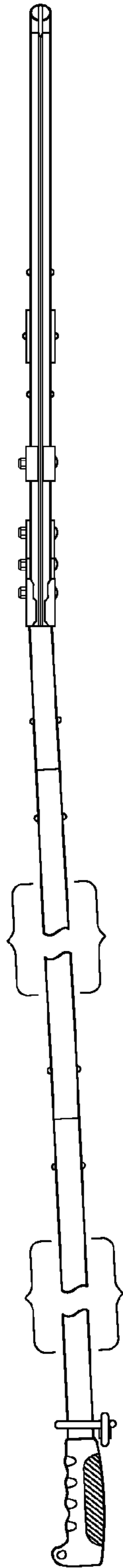


FIG. 5