



US00D711697S

(12) **United States Design Patent**
Delgado Carmona et al.

(10) **Patent No.:** **US D711,697 S**

(45) **Date of Patent:** **** Aug. 26, 2014**

- (54) **TONGS**
- (71) Applicant: **Dart Industries Inc.**, Orlando, FL (US)
- (72) Inventors: **Sarah L Delgado Carmona**, Orlando, FL (US); **Vincent Jalet**, Brussels (BE)
- (73) Assignee: **Dart Industries Inc.**, Orlando, FL (US)
- (**) Term: **14 Years**
- (21) Appl. No.: **29/467,932**
- (22) Filed: **Sep. 25, 2013**
- (51) **LOC (10) Cl.** **07-06**
- (52) **U.S. Cl.**
USPC **D7/686**
- (58) **Field of Classification Search**
CPC A47J 43/283
USPC D7/680-696, 393, 395; 30/322-328,
30/124, 142, 355; 294/49, 55.5, 26, 118,
294/119, 99.1, 99.2, 3, 16; 7/110, 109, 113
See application file for complete search history.

- D439,810 S 4/2001 Lambrecht et al.
- D442,440 S * 5/2001 Kaposi D7/686
- D468,599 S * 1/2003 Mezger-Bohringer D7/686
- D473,111 S 4/2003 Kortleven et al.
- D487,003 S 2/2004 de Groote
- D491,028 S 6/2004 Claypool et al.
- D502,367 S 3/2005 Claypool et al.
- 7,086,676 B2 8/2006 Sumter et al.
- D530,994 S * 10/2006 Jarvis et al. D7/686
- 7,458,622 B2 * 12/2008 Tardif et al. 294/16
- D592,917 S 5/2009 Jalet et al.
- D597,787 S 8/2009 Jalet et al.
- D618,070 S 6/2010 Jalet et al.
- D618,521 S 6/2010 Jalet et al.
- D618,522 S 6/2010 Jalet et al.
- D618,523 S 6/2010 Jalet et al.
- D664,816 S * 8/2012 Difante D7/686
- 2001/0033083 A1 * 10/2001 Kaposi 294/99.2

* cited by examiner

Primary Examiner — Terry Wallace

(74) *Attorney, Agent, or Firm* — Taylor J. Ross

(57) **CLAIM**

The ornamental design for tongs, as shown and described.

DESCRIPTION

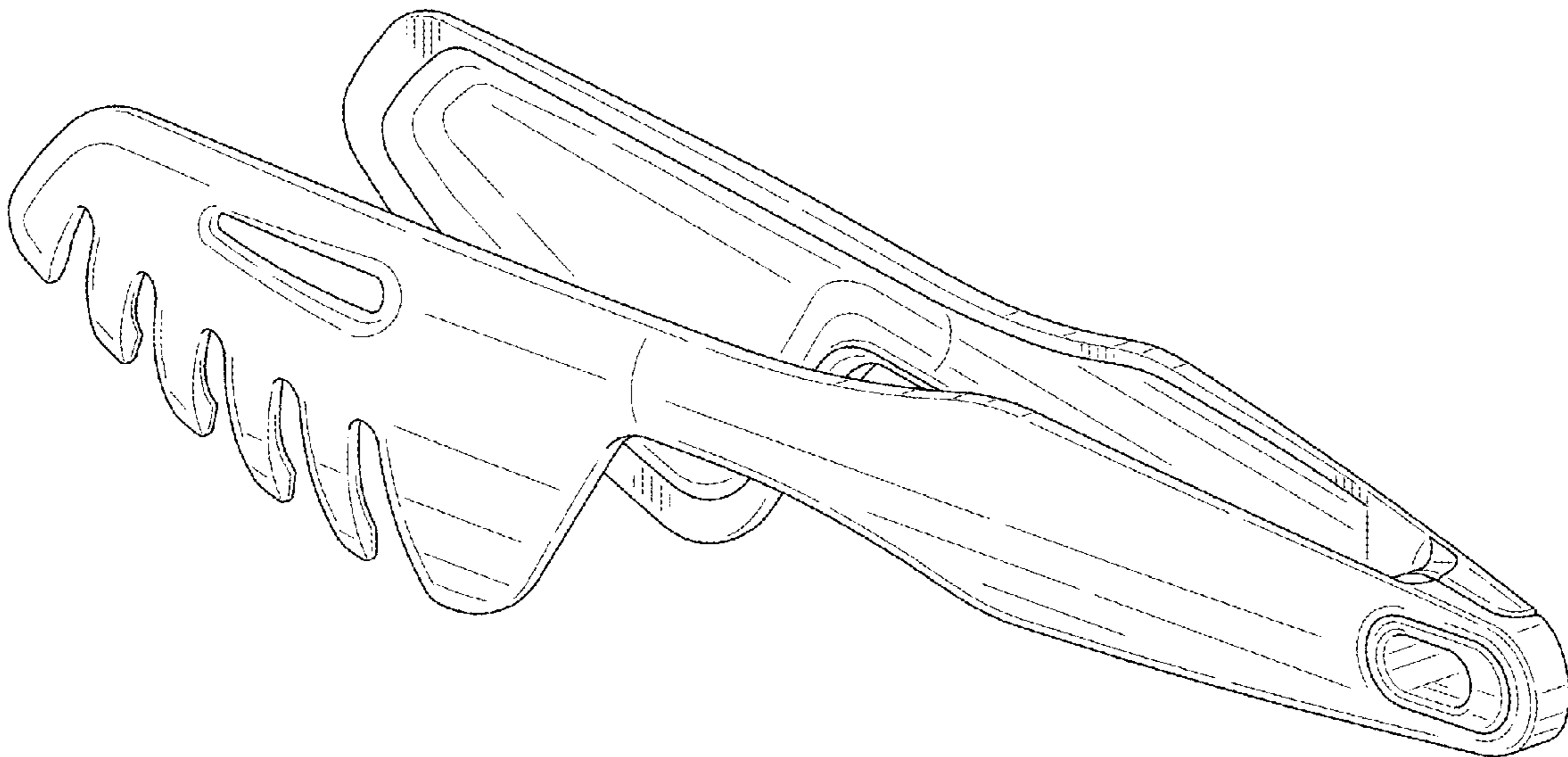
FIG. 1 is a top, rear and right side perspective view of the tongs showing our new design;
 FIG. 2 is a bottom, rear and left side perspective view thereof;
 FIG. 3 is a top plan view thereof;
 FIG. 4 is a bottom plan view thereof;
 FIG. 5 is a right side elevation view thereof;
 FIG. 6 is a left side elevation view thereof;
 FIG. 7 is a rear perspective view thereof; and,
 FIG. 8 is a front perspective view thereof.

1 Claim, 4 Drawing Sheets

(56) **References Cited**

U.S. PATENT DOCUMENTS

- 2,601,766 A * 7/1952 Riddell et al. 30/124
- D189,488 S * 12/1960 Page D7/686
- 3,929,363 A * 12/1975 Kahan 294/1.4
- D246,280 S 11/1977 Daenen
- D253,803 S 1/1980 Daenen
- D284,440 S 7/1986 Zieff
- D327,610 S * 7/1992 Loechel et al. D7/686
- D341,998 S * 12/1993 Tanfoglio D7/686
- D396,612 S 8/1998 Lillelund et al.
- D406,734 S * 3/1999 Doherty et al. D7/686



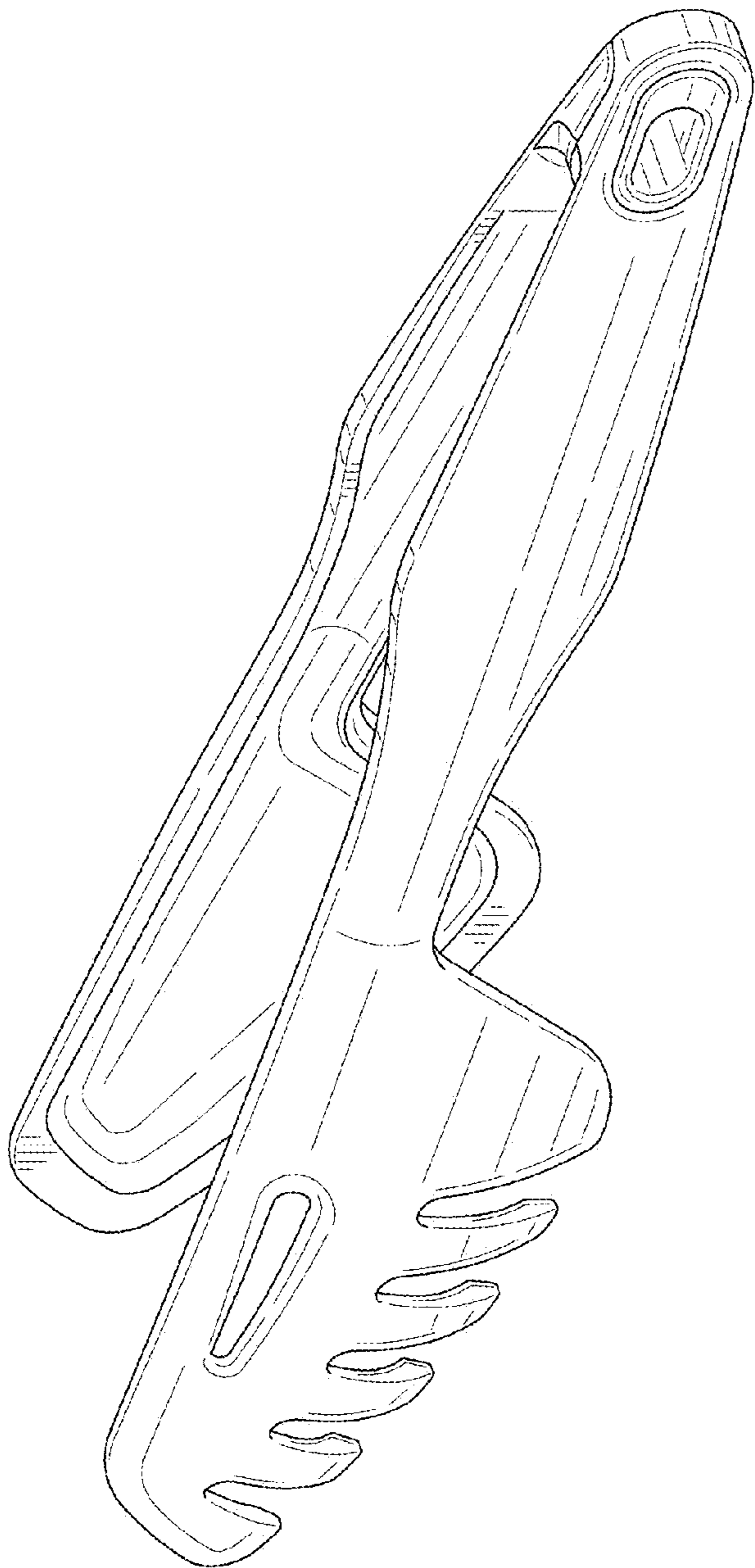


FIG. 1

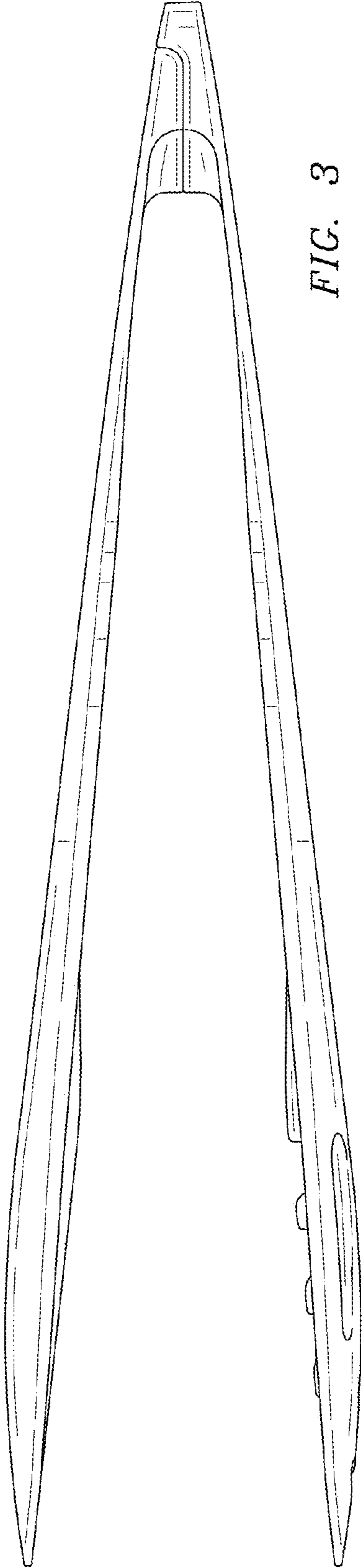


FIG. 3

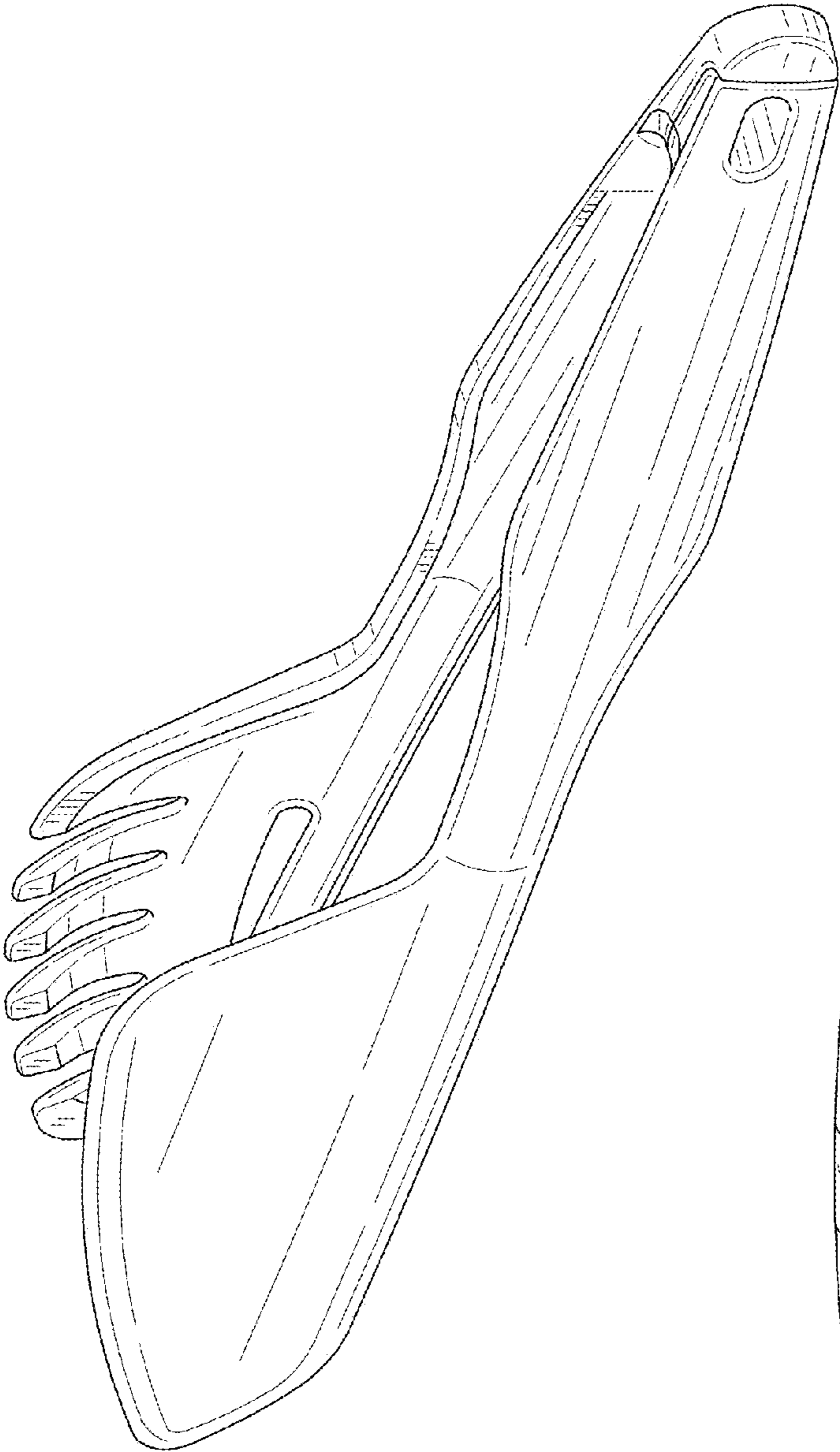


FIG. 2

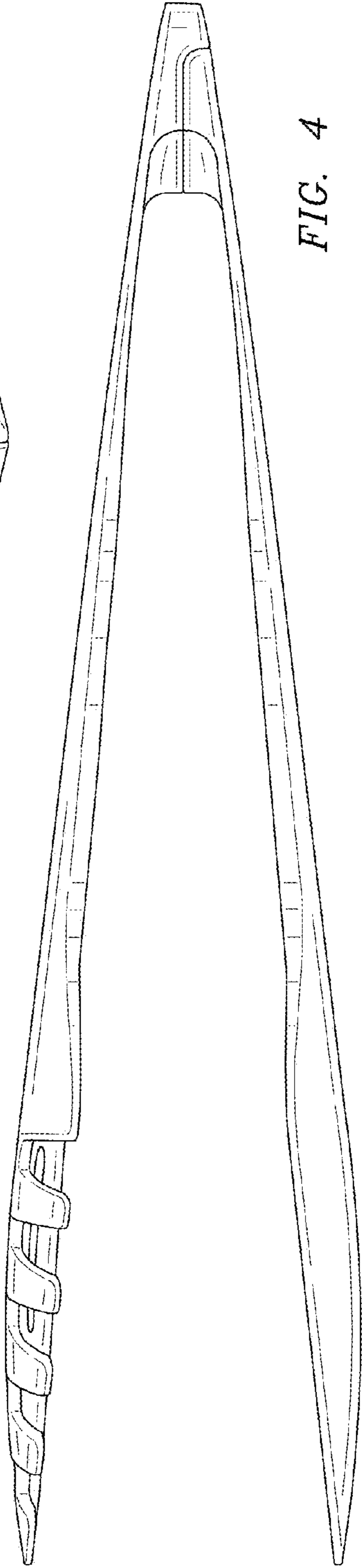


FIG. 4

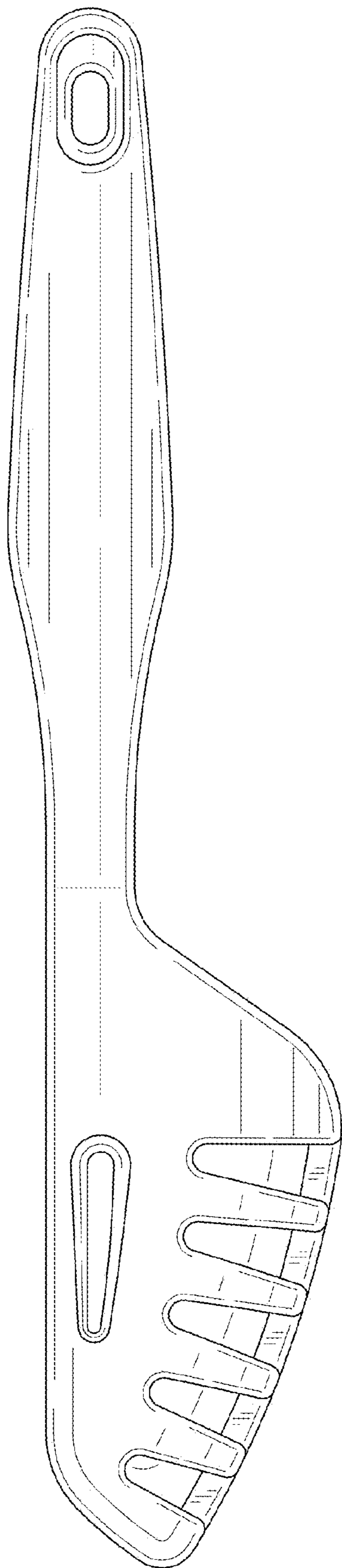


FIG. 5

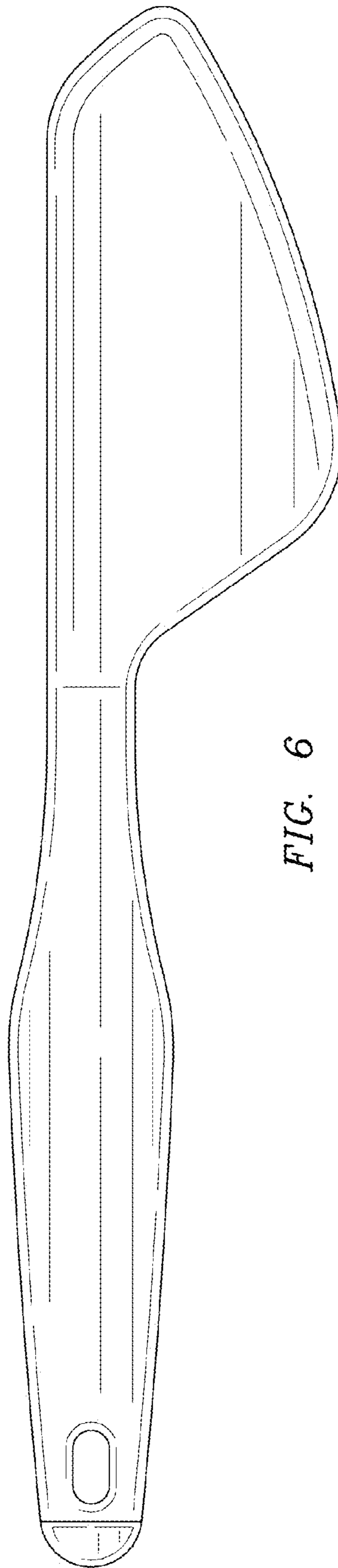


FIG. 6

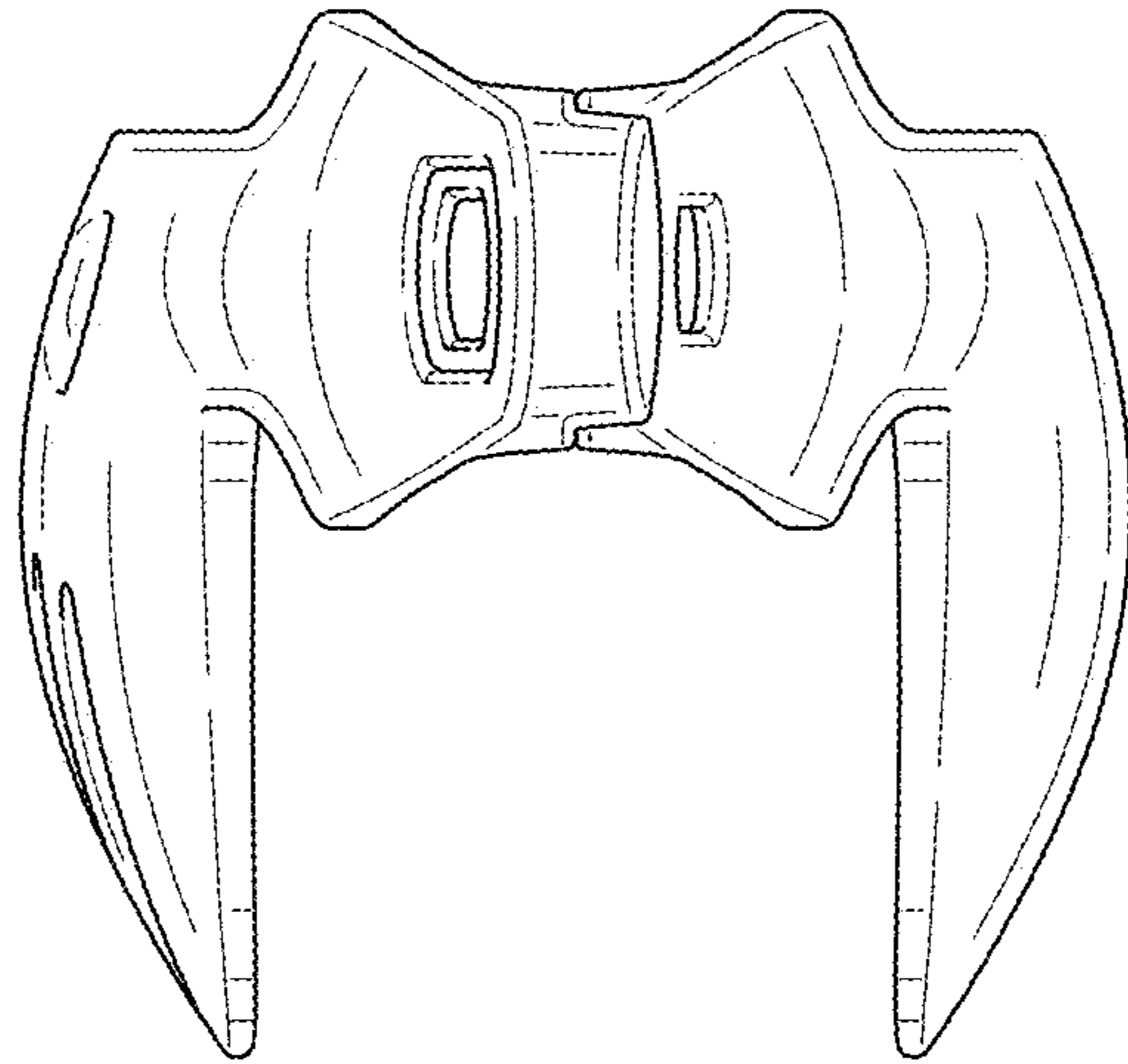


FIG. 7

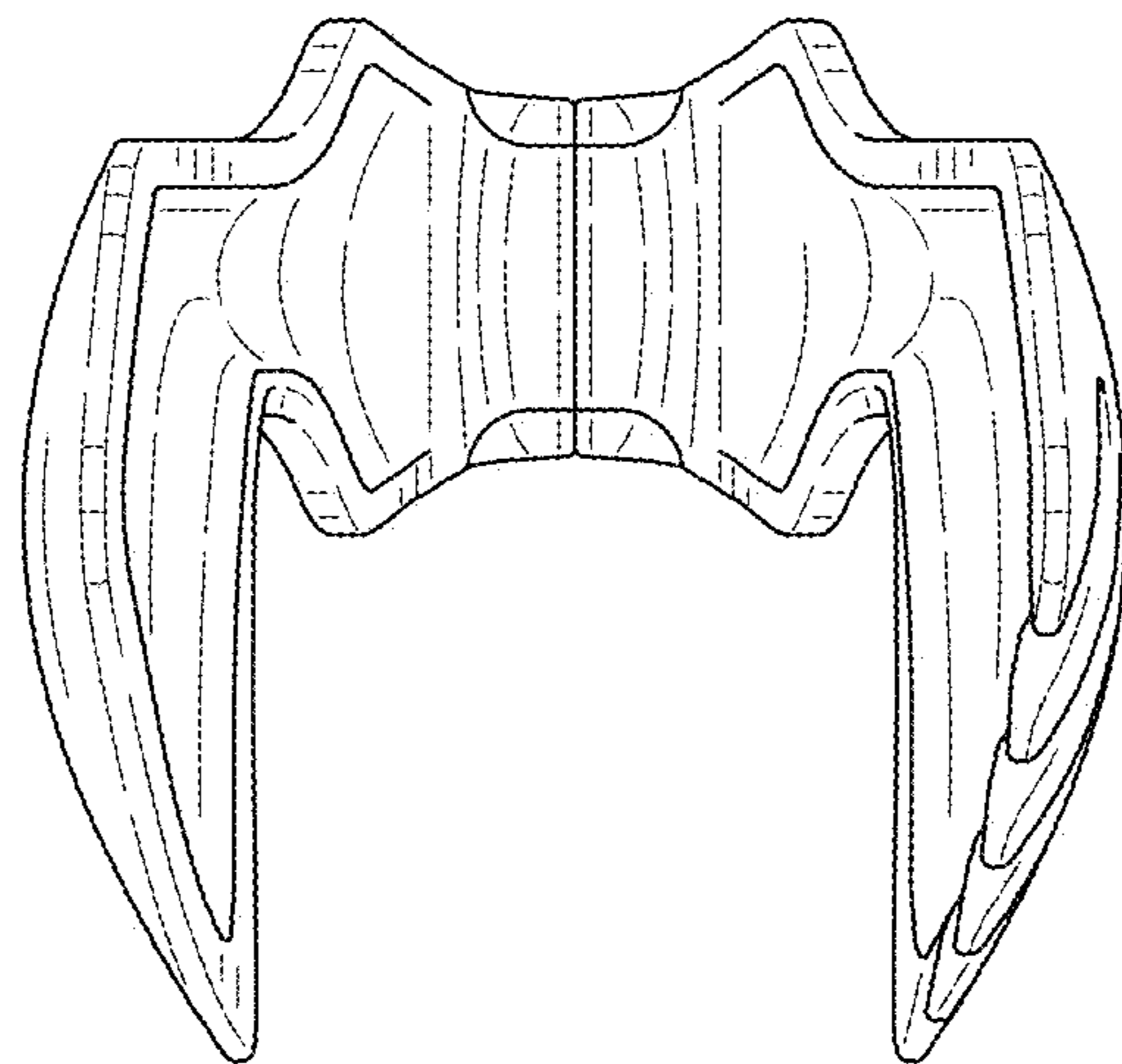


FIG. 8