



US00D711690S

(12) **United States Design Patent**  
**Sutton et al.**

(10) **Patent No.:** **US D711,690 S**

(45) **Date of Patent:** **\*\* Aug. 26, 2014**

(54) **BEVERAGE HOLDER**

(76) Inventors: **Richard J. Sutton**, Toronto (CA);  
**Simon Luong**, Toronto (CA)

(\*\*) Term: **14 Years**

(21) Appl. No.: **29/424,470**

(22) Filed: **Jun. 13, 2012**

(30) **Foreign Application Priority Data**

Apr. 13, 2012 (CA) ..... 145293

(51) **LOC (10) Cl.** ..... **07-06**

(52) **U.S. Cl.**  
USPC ..... **D7/625**

(58) **Field of Classification Search**  
USPC ..... D7/620, 608, 510, 511, 515, 901, 606,  
D7/536, 604, 623, 624.1, 624.2, 601-602,  
D7/388, 603, 619.1-625, 605, 607, 509,  
D7/514, 709, 710, 628, 629, 630, 632, 633,  
D7/634; D9/668, 444, 455, 501, 435, 451,  
D9/434, 499; D21/717, 789, 718, 712;  
248/156, 346.11, 146, 530, 545, 546,  
248/309.1, 311.1, 311.2, 311.3, 314;  
211/74, 75, 71.01, 79, 80; 220/410,  
220/592.16, 592.17, 738, 902, 903, 737,  
220/739, 740, 741, 742; 215/11.6, 386,  
215/387, 388, 389, 390, 393, 394, 395, 396,  
215/399; 229/89-91; 224/148.1-148.6;  
D22/147; 62/457.1, 457.3, 457.4  
See application file for complete search history.

(56) **References Cited**

**U.S. PATENT DOCUMENTS**

D228,328 S \* 9/1973 Schley ..... D7/507  
4,164,284 A \* 8/1979 Witt et al. .... 206/217  
D323,602 S \* 2/1992 Katz ..... D7/316  
D351,971 S 11/1994 Cappola  
D371,934 S 7/1996 Cwirko  
D392,844 S \* 3/1998 Todorya ..... D7/606  
D425,757 S 5/2000 Printz

D511,212 S 11/2005 Whalen  
D518,596 S \* 4/2006 Angeletta ..... D28/7  
D541,111 S \* 4/2007 Morgan et al. .... D7/625  
D562,073 S \* 2/2008 Yeh ..... D7/515  
D574,664 S \* 8/2008 Thompson ..... D7/515  
D580,775 S \* 11/2008 Harris ..... D9/668  
D587,968 S \* 3/2009 Campbell ..... D7/510  
D589,765 S \* 4/2009 Zulloff ..... D7/515  
D619,856 S \* 7/2010 Carter ..... D7/625  
D621,657 S \* 8/2010 Quinn ..... D7/507  
D623,905 S 9/2010 Paslawski  
D624,368 S 9/2010 Paslawski  
D633,342 S 3/2011 Paslawski  
D666,048 S \* 8/2012 Kasswran et al. .... D7/301  
D666,919 S \* 9/2012 Gelin ..... D9/668  
D673,428 S \* 1/2013 Lessells ..... D7/625  
2013/0087524 A1\* 4/2013 Nuckles ..... 215/395

\* cited by examiner

*Primary Examiner* — Ian Simmons

*Assistant Examiner* — Shannon Morgan

(57) **CLAIM**

The ornamental design for a beverage holder, as shown and described.

**DESCRIPTION**

FIG. 1 is a top, right front perspective view of a beverage holder showing our new design;  
FIG. 2 is a front elevational view thereof;  
FIG. 3 is a right side elevational view thereof;  
FIG. 4 is a rear elevational view thereof;  
FIG. 5 is a left side elevational view thereof;  
FIG. 6 is a top plan view thereof;  
FIG. 7 is a bottom plan view thereof;  
FIG. 8 is a top, right, front perspective view of a beverage holder shown in an open configuration showing our new design; and,  
FIG. 9 is a sectional view taken along line 9-9 of FIG. 6 of the beverage holder thereof.  
The broken lines in FIGS. 8 and 9 of the beverage holder are for the purpose of illustrating environment, and form no part of the claimed design.

**1 Claim, 5 Drawing Sheets**

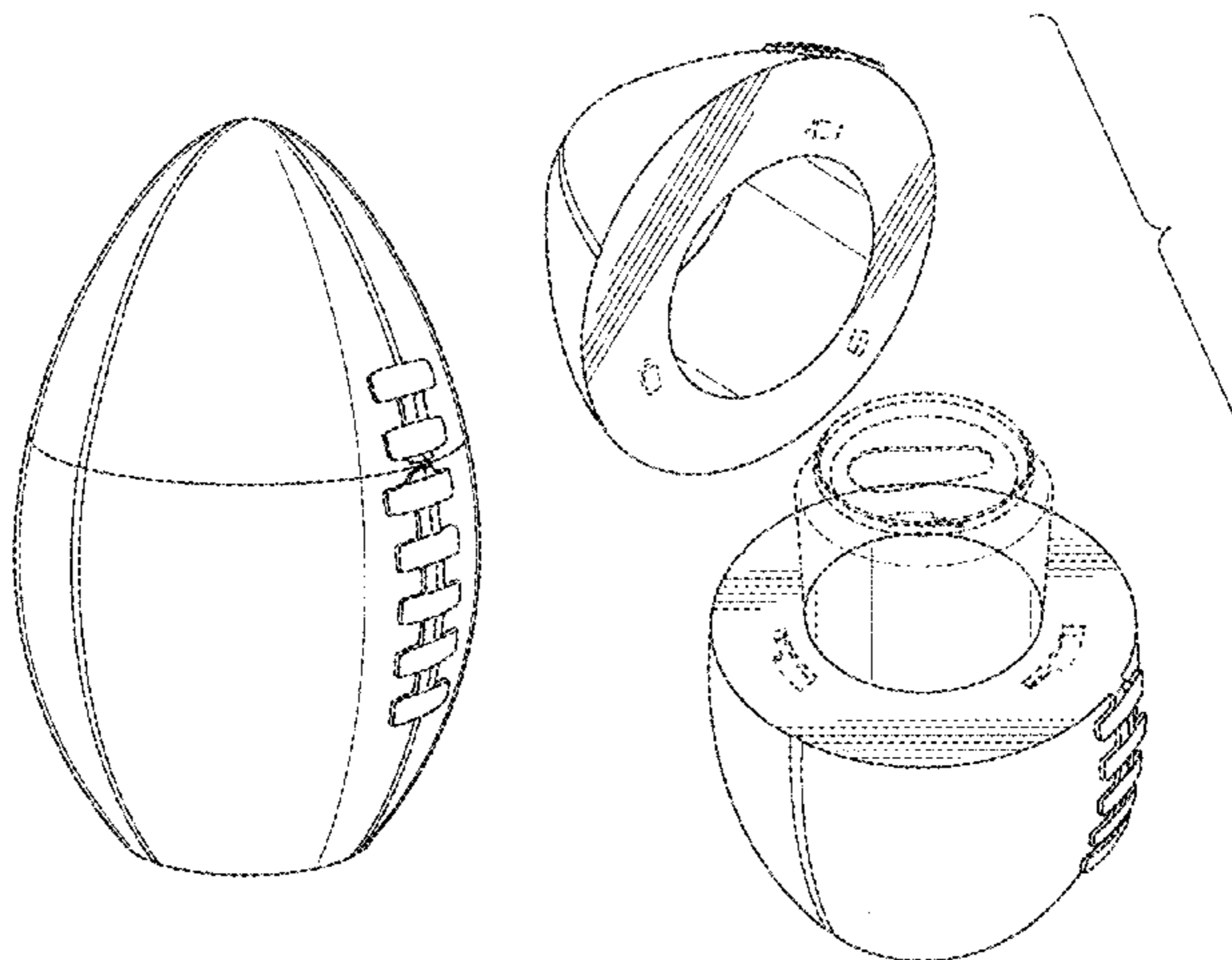


Fig.1

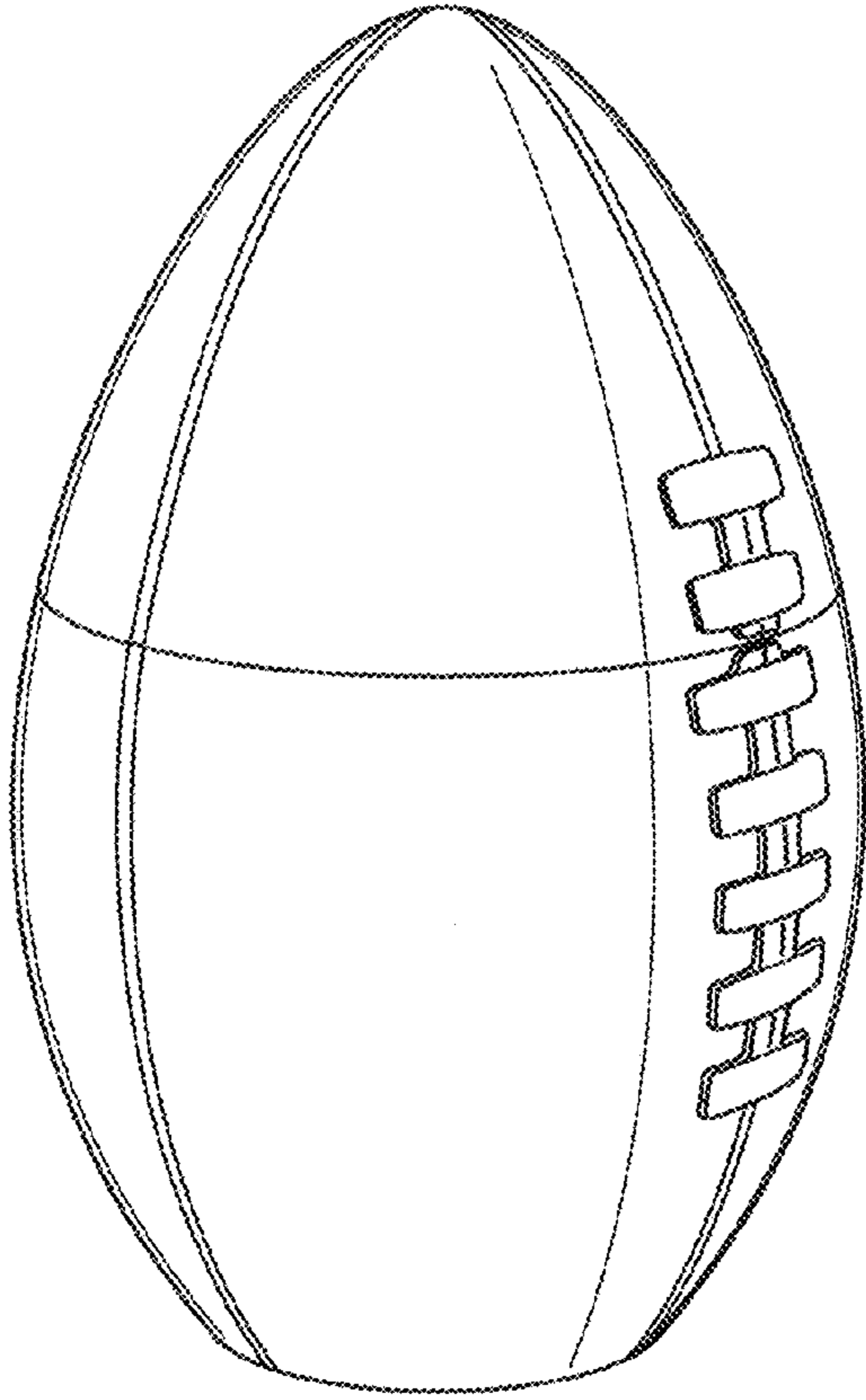


Fig.2

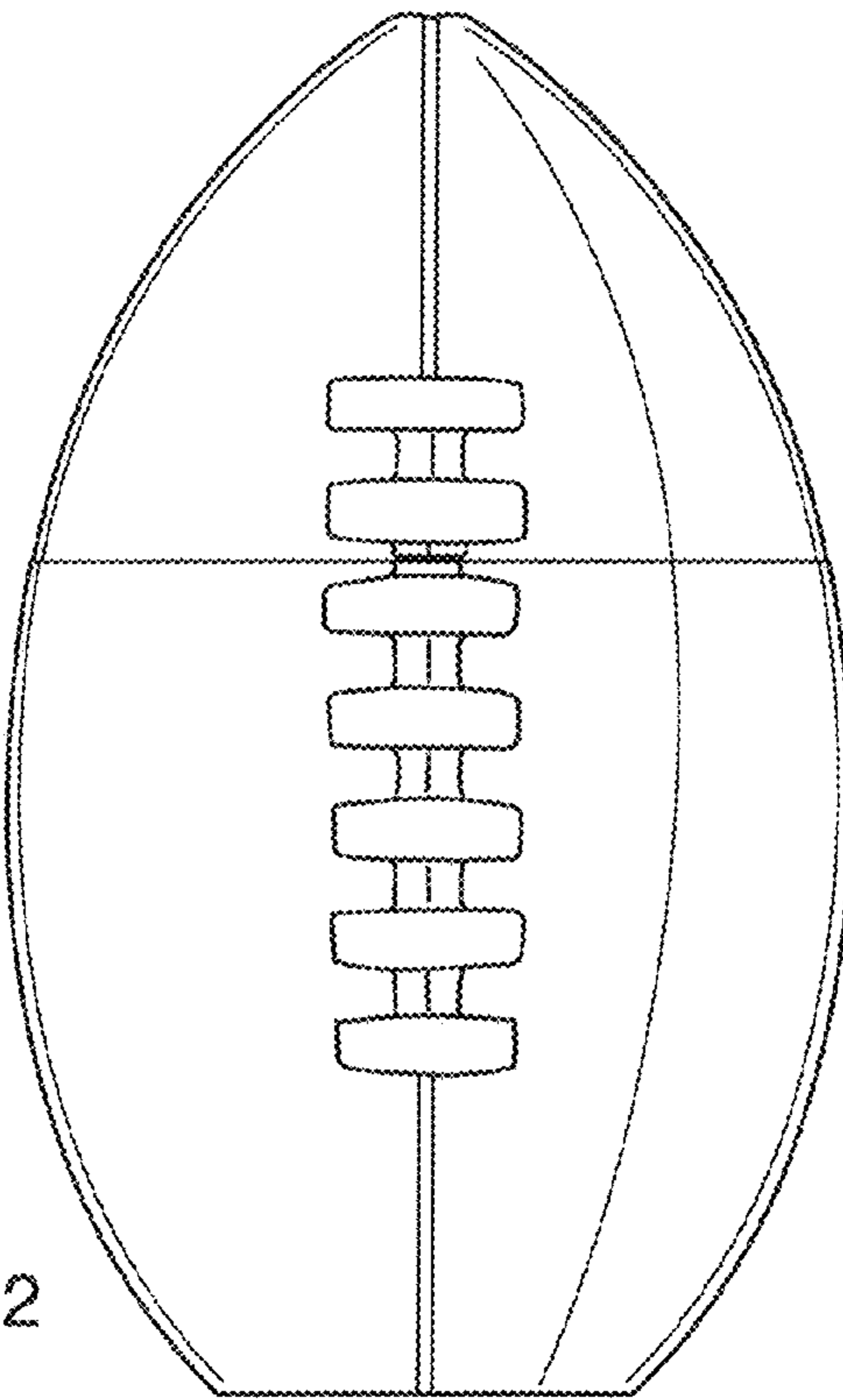


Fig.3

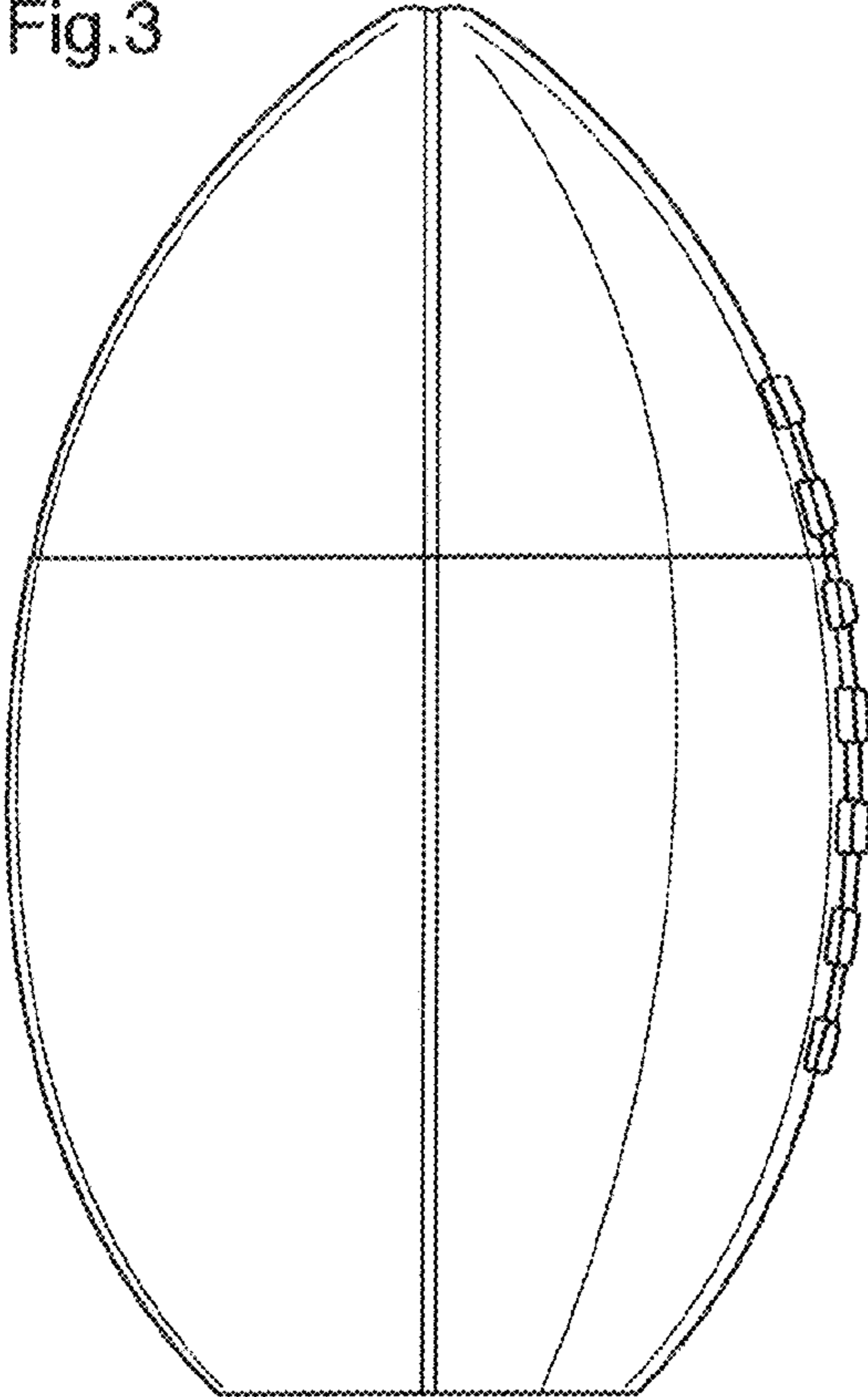


Fig.4

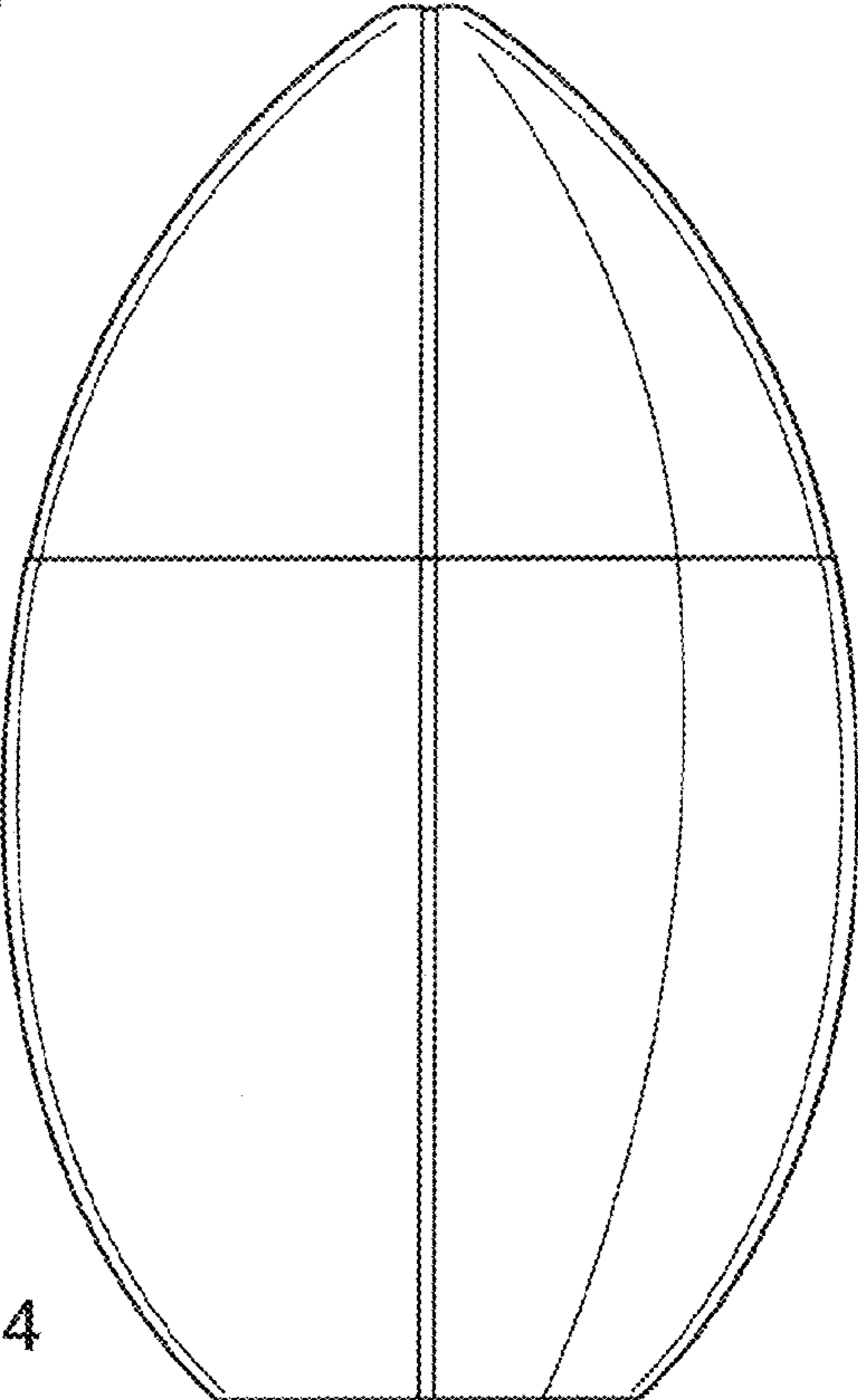


Fig.5

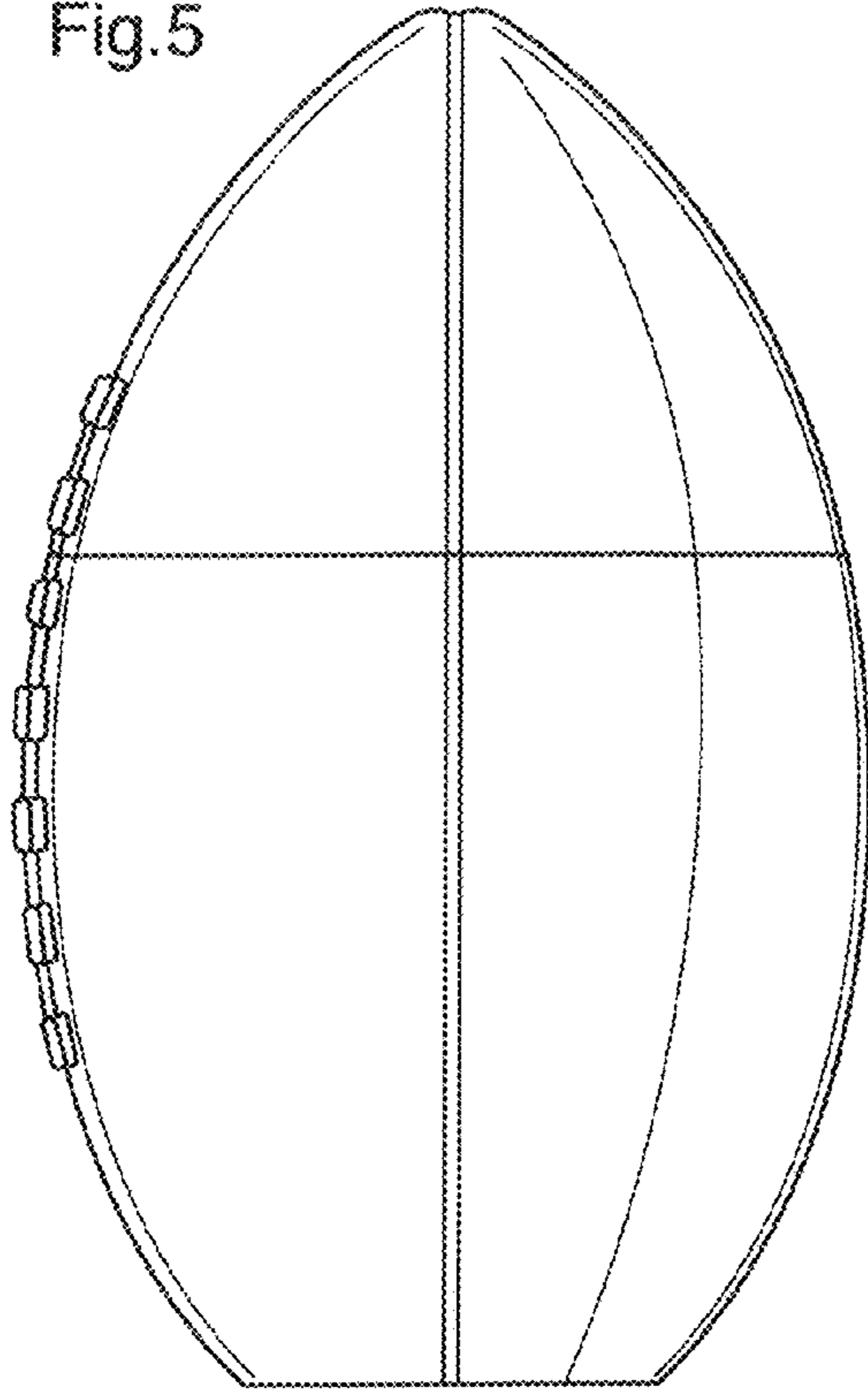


Fig.6

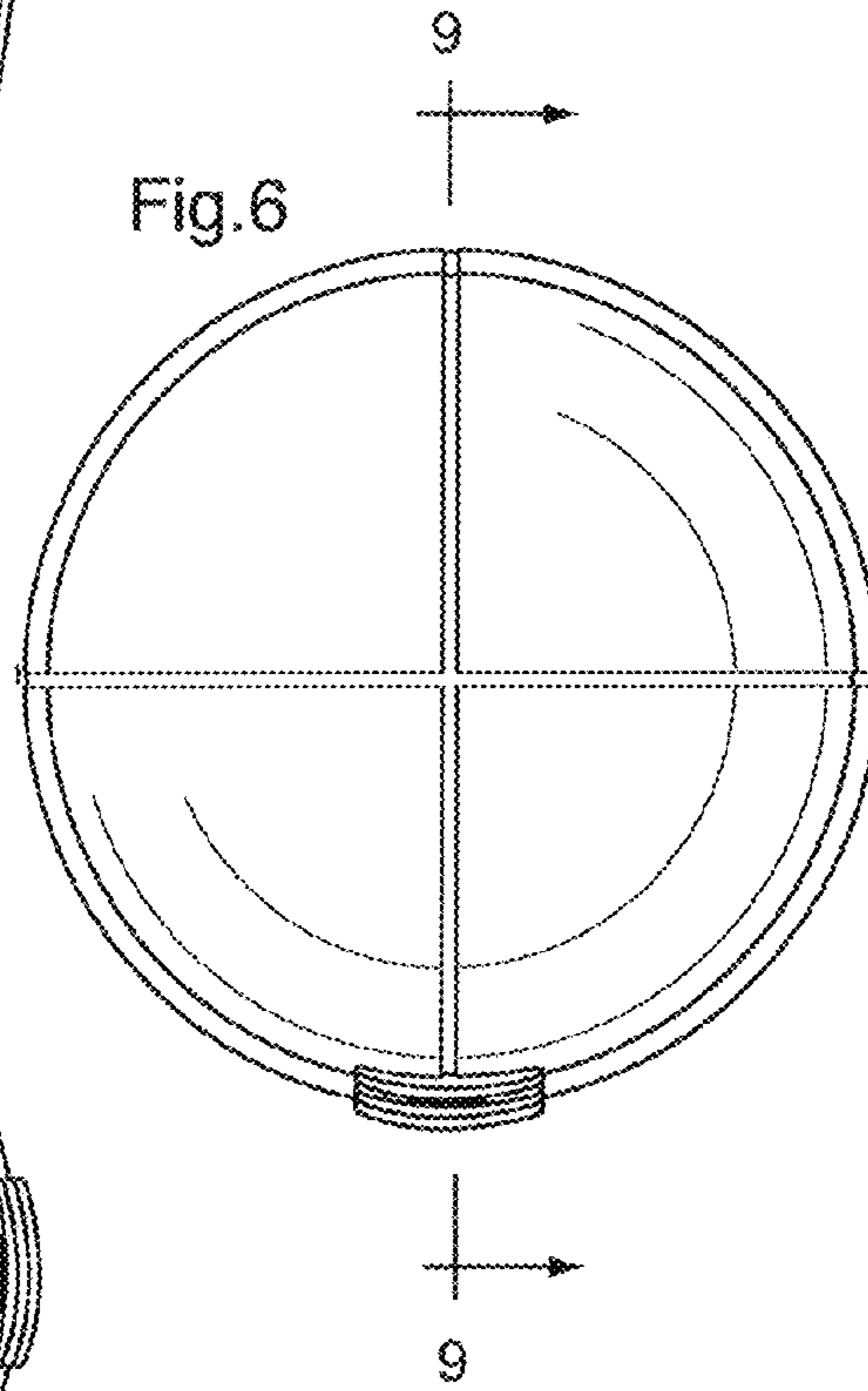


Fig.7

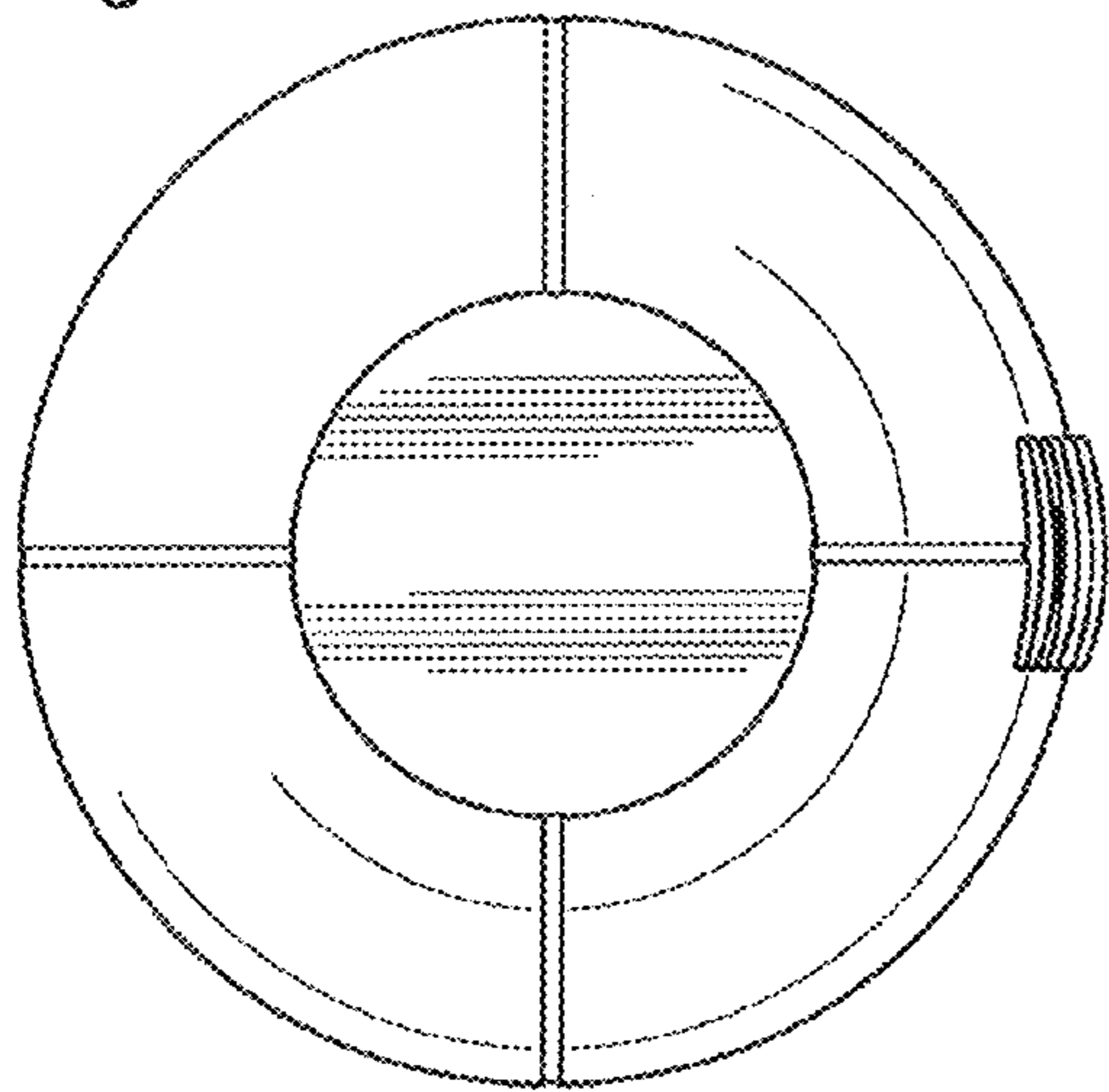




Fig.8

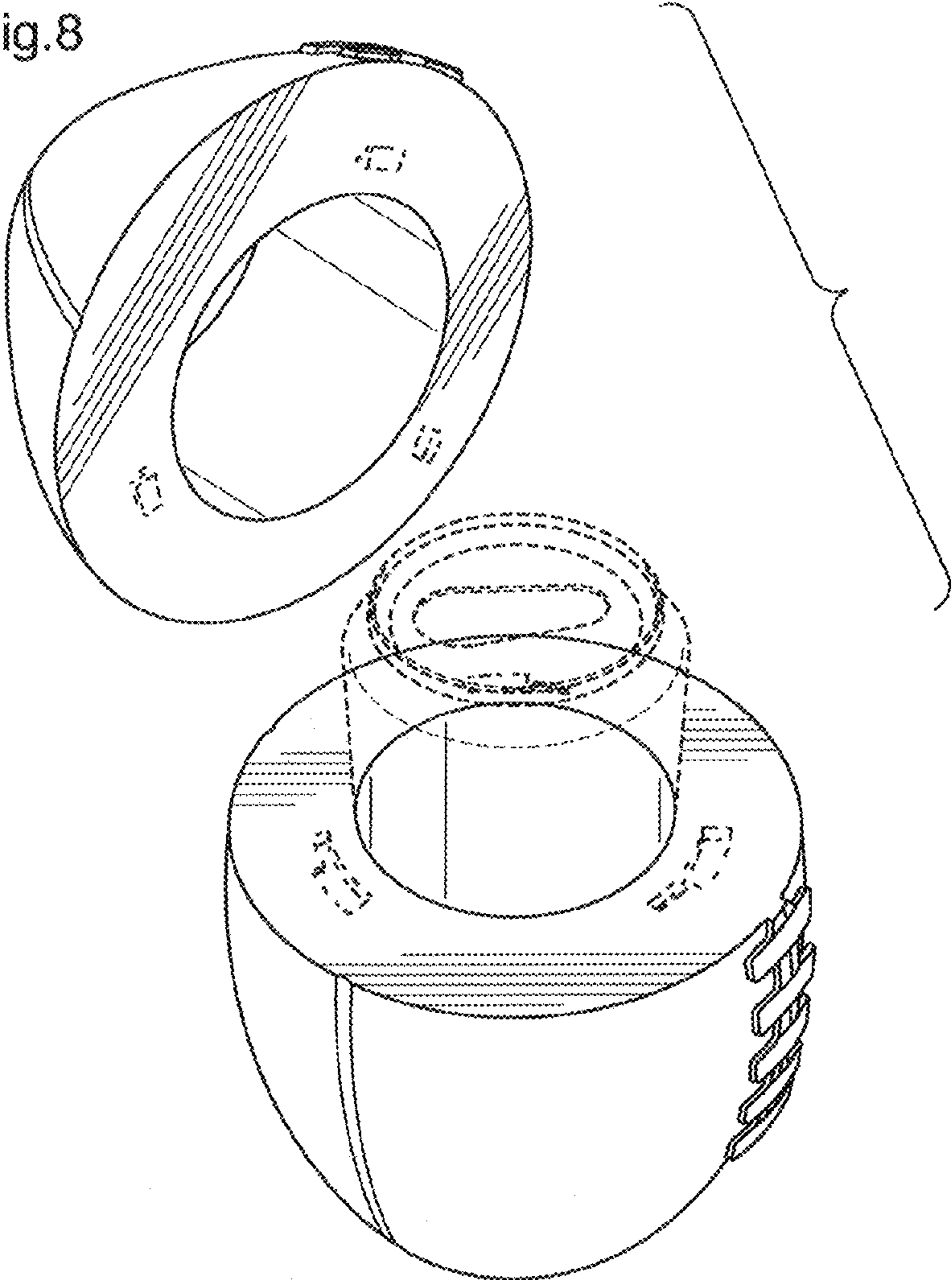


Fig.9

