



US00D711689S

(12) **United States Design Patent**
Rice et al.

(10) **Patent No.:** **US D711,689 S**

(45) **Date of Patent:** **** Aug. 26, 2014**

(54) **CAN COVER**

(71) Applicants: **Suzanne M. Rice**, West Point, VA (US);
Kevin Jay Rice, West Point, VA (US)

(72) Inventors: **Suzanne M. Rice**, West Point, VA (US);
Kevin Jay Rice, West Point, VA (US)

(**) Term: **14 Years**

(21) Appl. No.: **29/442,944**

(22) Filed: **Jun. 17, 2013**

(51) **LOC (10) Cl.** **07-01**

(52) **U.S. Cl.**
USPC **D7/607**

(58) **Field of Classification Search**
CPC B65D 81/3879
USPC D7/603-608, 619.1-624.2; 220/902,
220/903, 737-741, 592.17, 592.01, 592.2,
220/592.24-27; 248/346.11; 215/392-396;
62/457.1-457.9

See application file for complete search history.

(56) **References Cited**

U.S. PATENT DOCUMENTS

4,344,303	A *	8/1982	Kelly, Jr.	62/530
5,467,891	A *	11/1995	Perry	220/739
D442,833	S *	5/2001	Shuman	D7/608
D574,668	S *	8/2008	Kelly	D7/608
D639,612	S *	6/2011	Huang et al.	D7/608

* cited by examiner

Primary Examiner — Terry Wallace

(74) *Attorney, Agent, or Firm* — Paul R. Martin

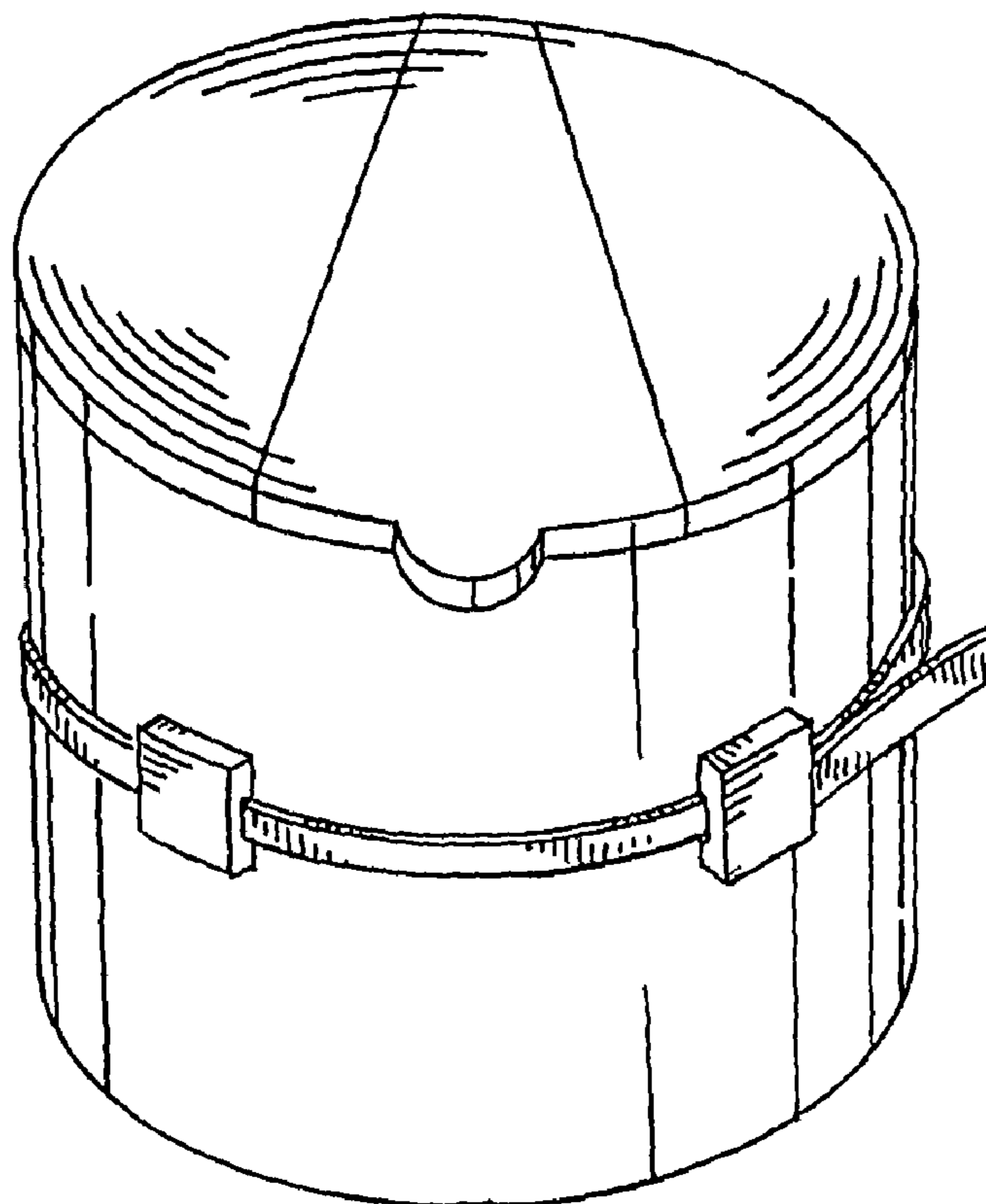
(57) **CLAIM**

The ornamental design for a can cover, as shown and described.

DESCRIPTION

FIG. 1 is a top front perspective view of the ornamental design of the instant invention;
FIG. 2 is a left side elevation;
FIG. 3 is a right side elevation;
FIG. 4 is a top plan view;
FIG. 5 is a front elevation;
FIG. 6 is a bottom plan view; and,
FIG. 7 is a rear elevation.

1 Claim, 3 Drawing Sheets



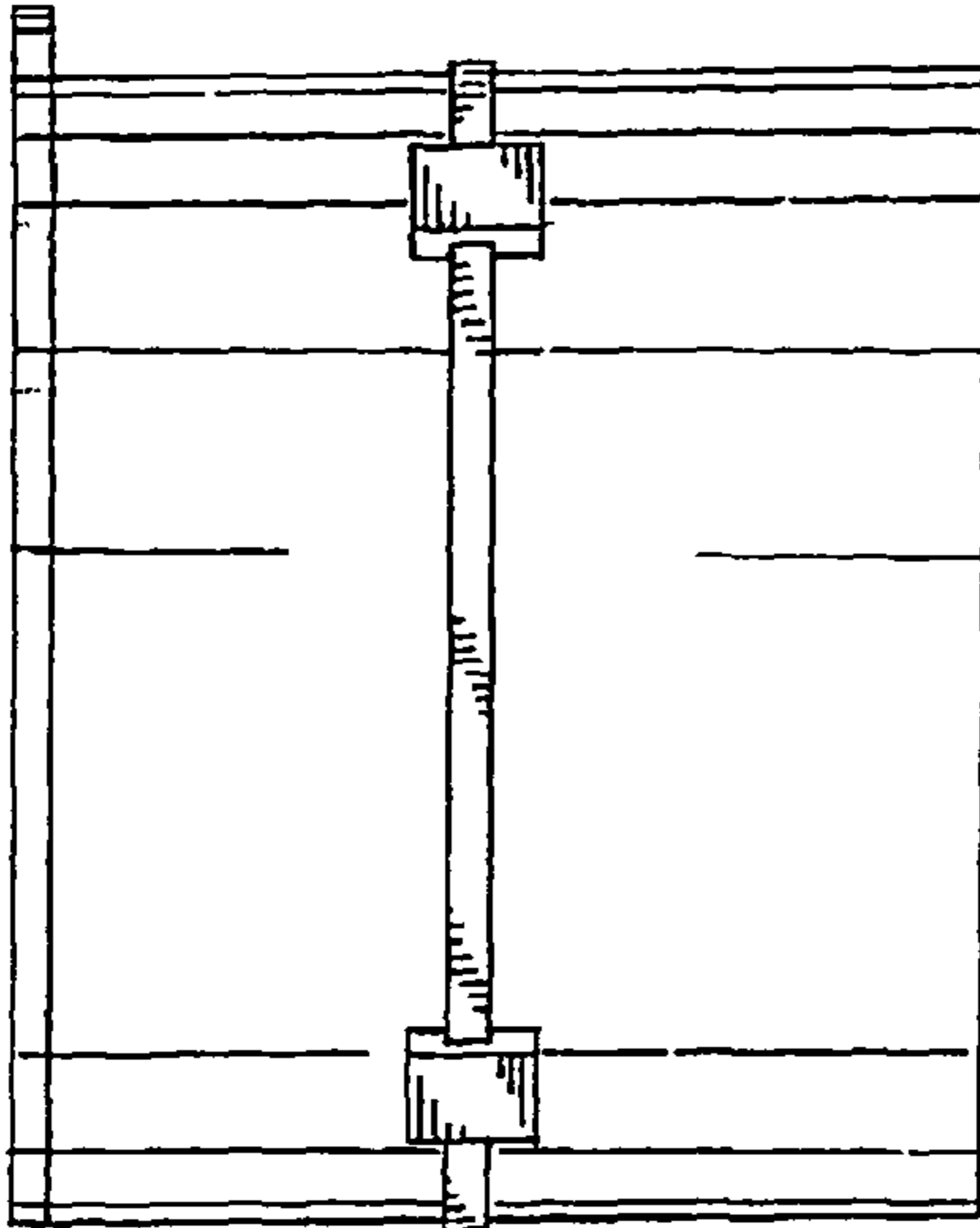


FIG. 2

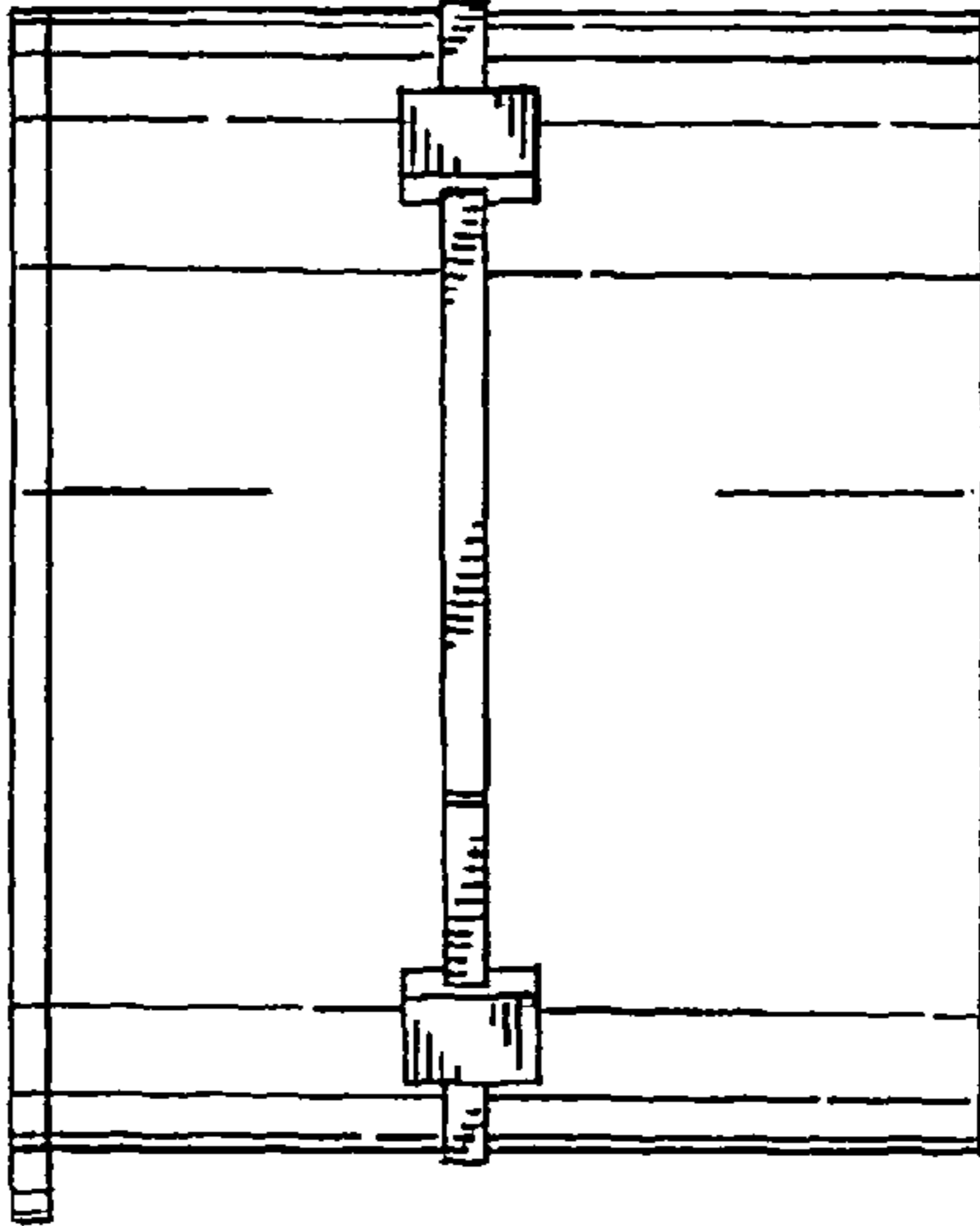


FIG. 3

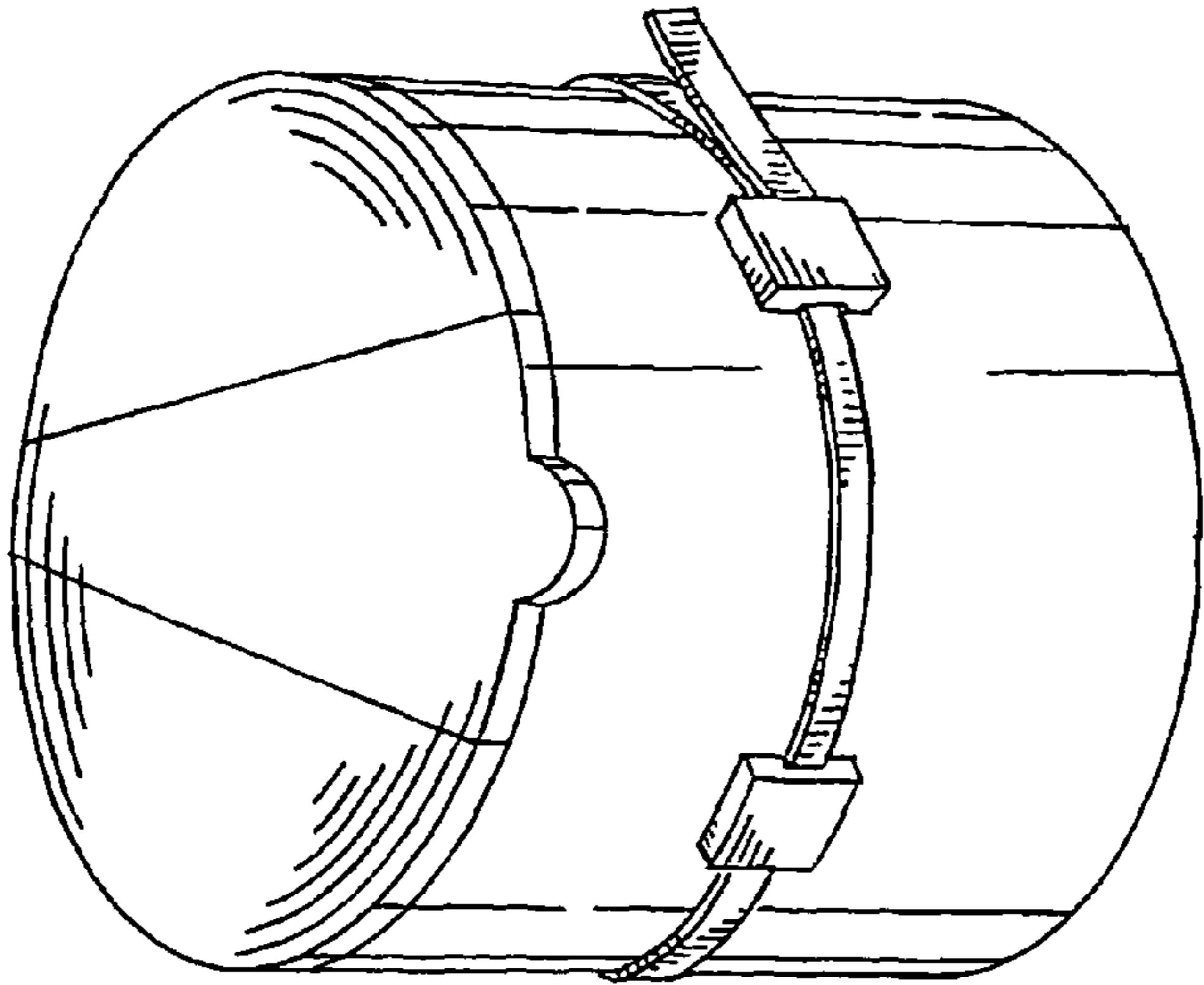


FIG. 1

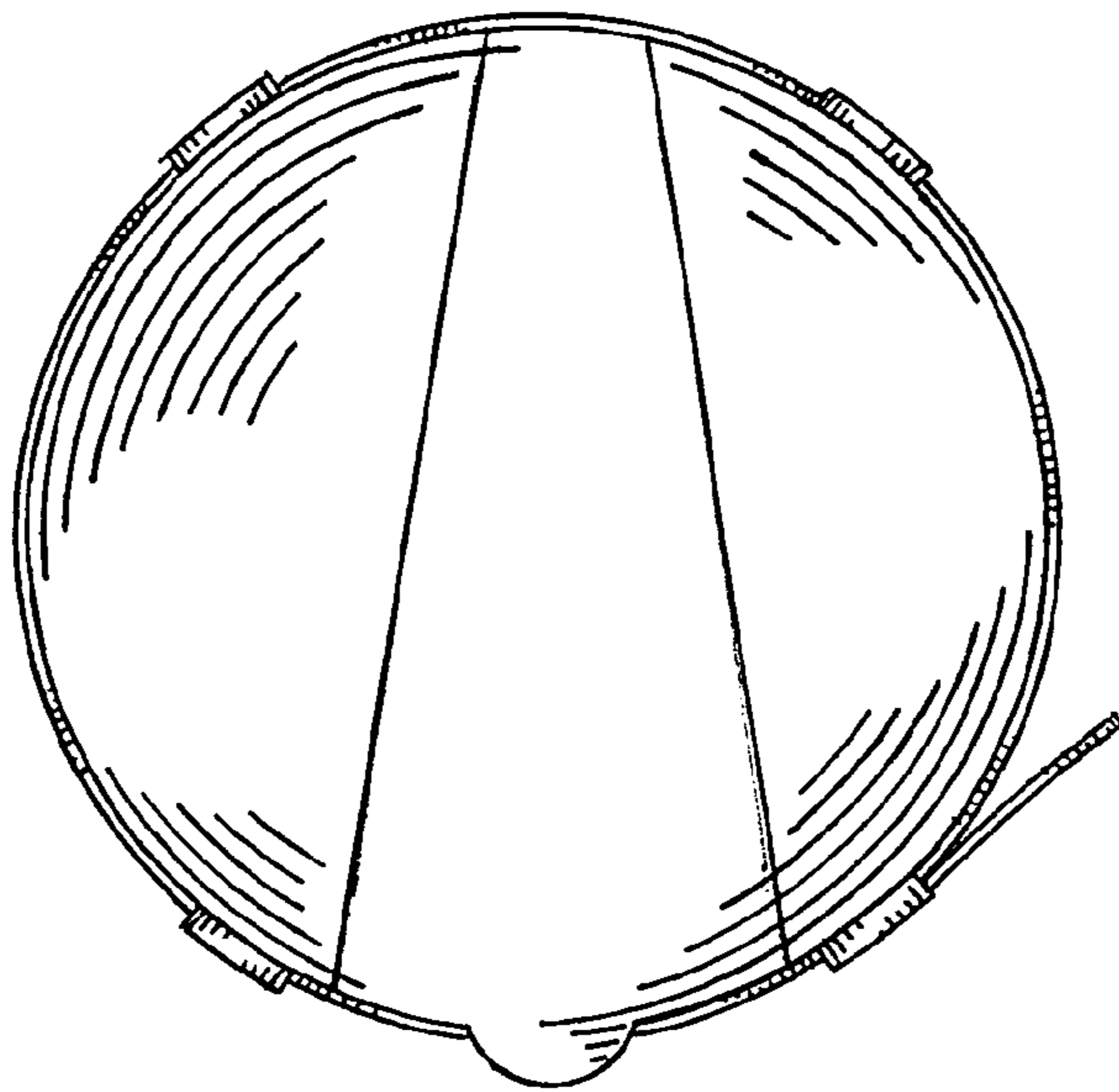


FIG. 4

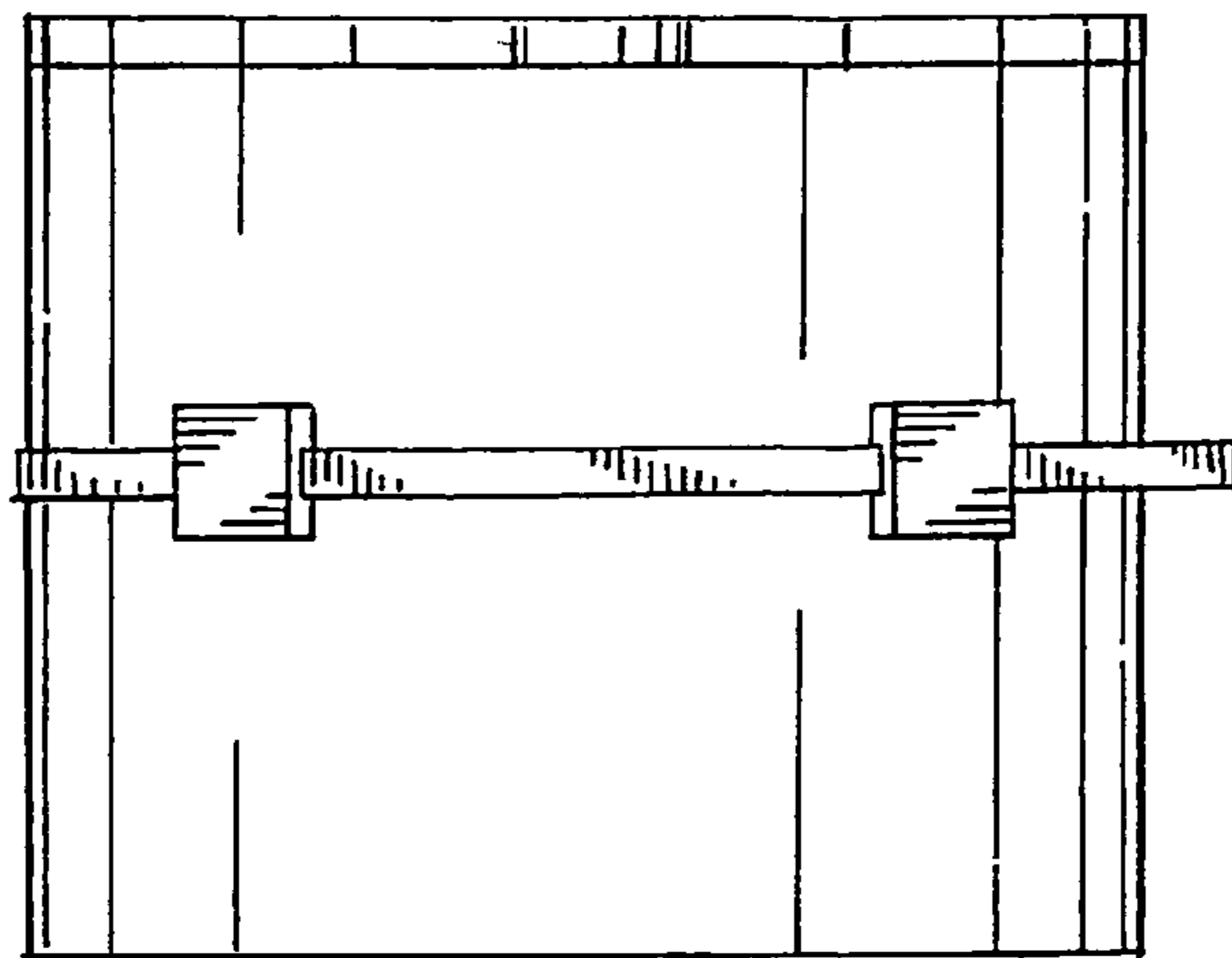


FIG. 5

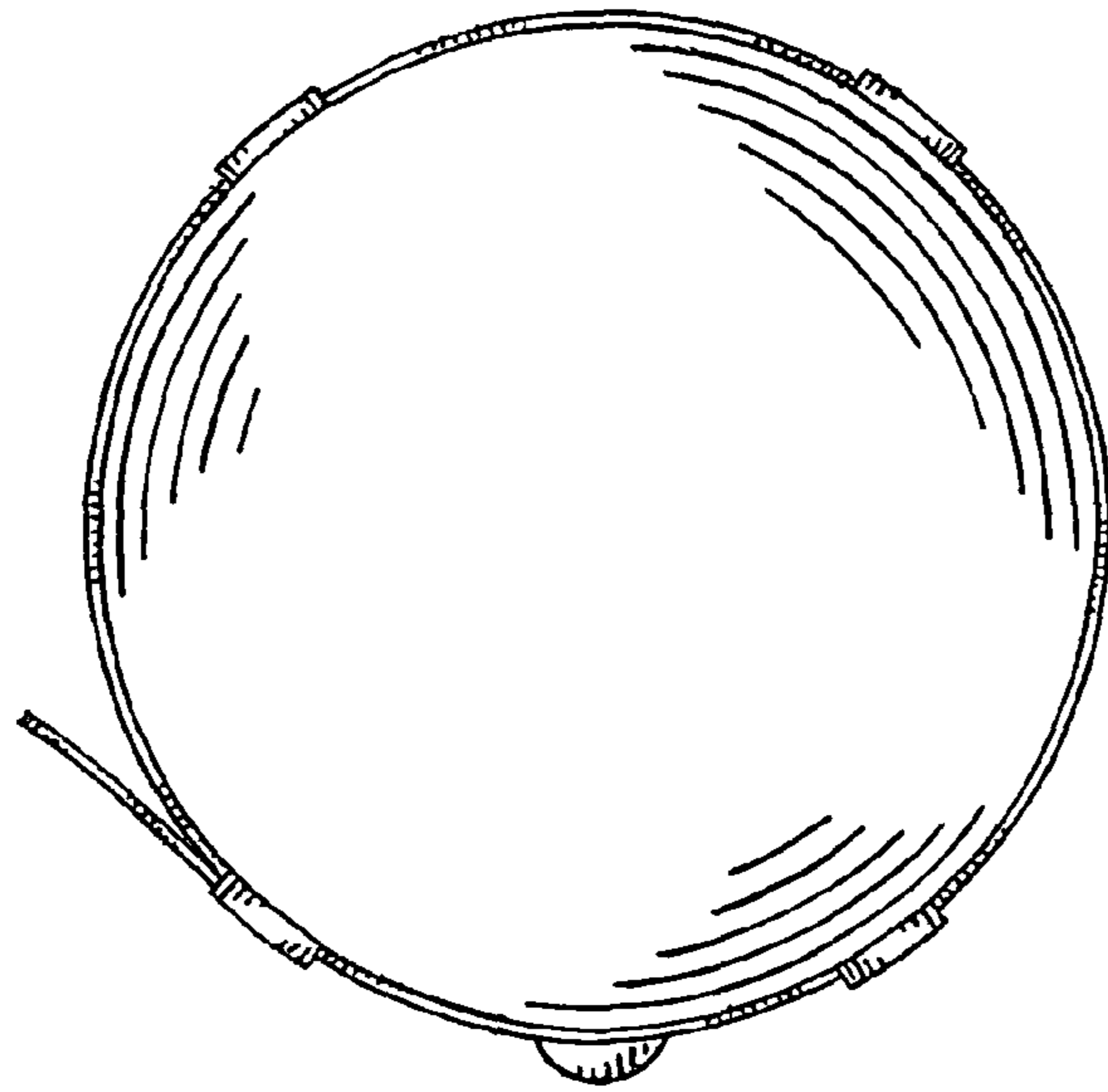


FIG. 6

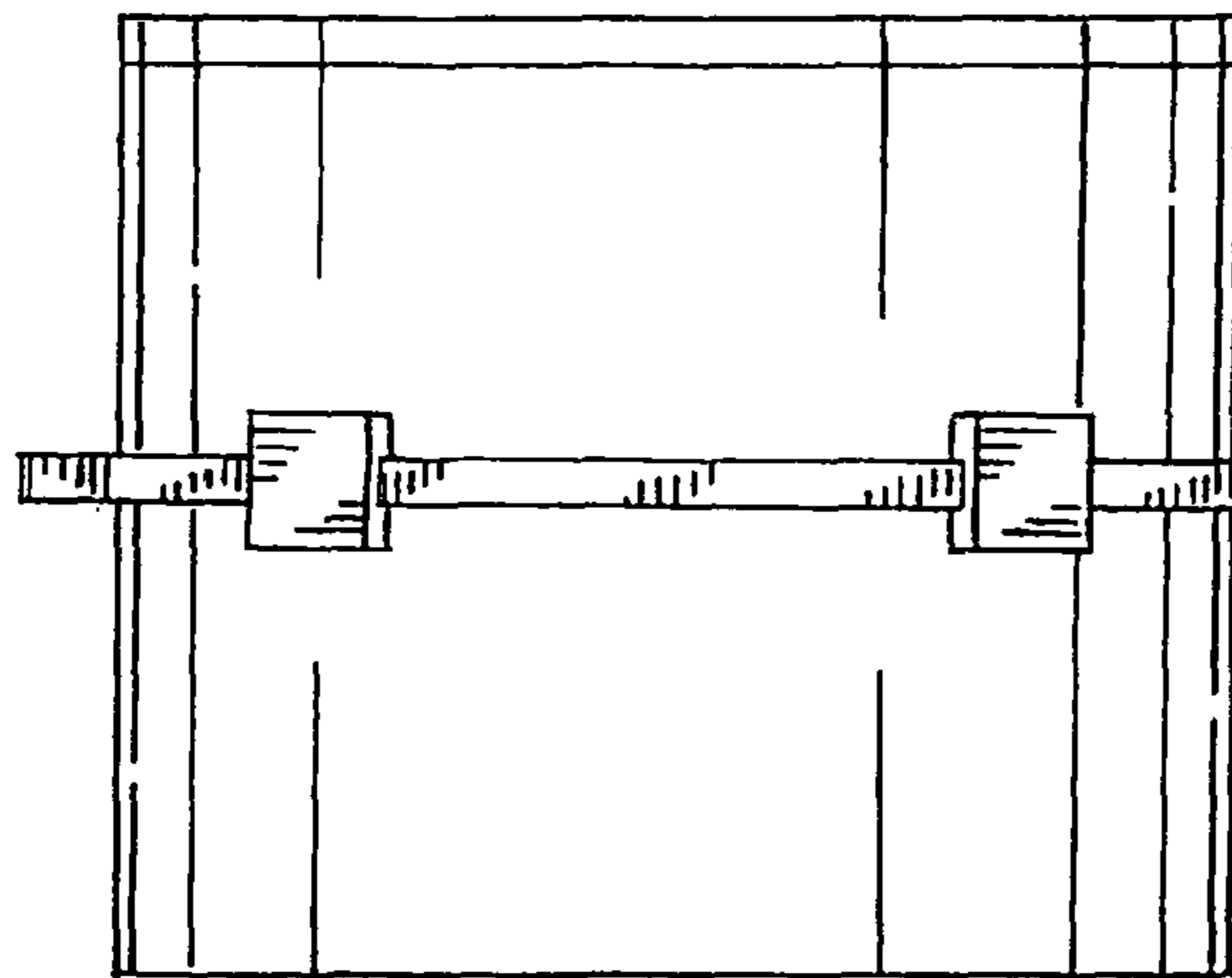


FIG. 7