



US00D711687S

(12) **United States Design Patent**
Jenkins

(10) **Patent No.:** **US D711,687 S**

(45) **Date of Patent:** **** Aug. 26, 2014**

(54) **BARBECUE GRILL HOOD**

(71) Applicant: **Bond Manufacturing Co.**, Antioch, CA
(US)

(72) Inventor: **Cameron Jenkins**, Marco Island, FL
(US)

(73) Assignee: **Bond Manufacturing Co.**, Antioch, CA
(US)

(**) Term: **14 Years**

(21) Appl. No.: **29/447,896**

(22) Filed: **Mar. 7, 2013**

(51) **LOC (10) Cl.** **02-03**

(52) **U.S. Cl.**
USPC **D7/402**

(58) **Field of Classification Search**
USPC D7/332, 334-337, 402-405, 407, 409,
D7/393-394, 688; 126/29 R, 25 A, 25 B,
126/9 R, 9 B, 37 R, 38, 40, 50, 268, 276,
126/19 M, 41 R, 43-44, 15 R, 15 A, 501, 4;
99/427

See application file for complete search history.

(56) **References Cited**

U.S. PATENT DOCUMENTS

D494,413 S	*	8/2004	Joss et al.	D7/402
D504,048 S	*	4/2005	Joss et al.	D7/402
D527,947 S	*	9/2006	Pai	D7/402
D557,066 S	*	12/2007	Chau et al.	D7/402
D557,068 S	*	12/2007	Lee	D7/402

D557,555 S	*	12/2007	Chau et al.	D7/402
D557,558 S	*	12/2007	Chau et al.	D7/402
D562,629 S	*	2/2008	Chau et al.	D7/402
D586,615 S	*	2/2009	Lee	D7/402
D604,557 S	*	11/2009	Lee	D7/402
D638,661 S	*	5/2011	Schroeter	D7/402
D651,455 S	*	1/2012	Lee	D7/402
D656,786 S		4/2012	Lockhart et al.		
D660,646 S		5/2012	Simms, II		
D688,517 S	*	8/2013	Eilgus	D7/402

* cited by examiner

Primary Examiner — Ruth McInroy

(74) *Attorney, Agent, or Firm* — Sterne, Kessler, Goldstein & Fox P.L.L.C.

(57) **CLAIM**

The ornamental design for a barbecue grill hood, as shown and described.

DESCRIPTION

FIG. 1 is a top front perspective view of a barbecue grill hood showing my new design in an environment in which it may be used;

FIG. 2 is a front view of the barbecue grill hood;

FIG. 3 is a rear view thereof;

FIG. 4 is a right side view thereof;

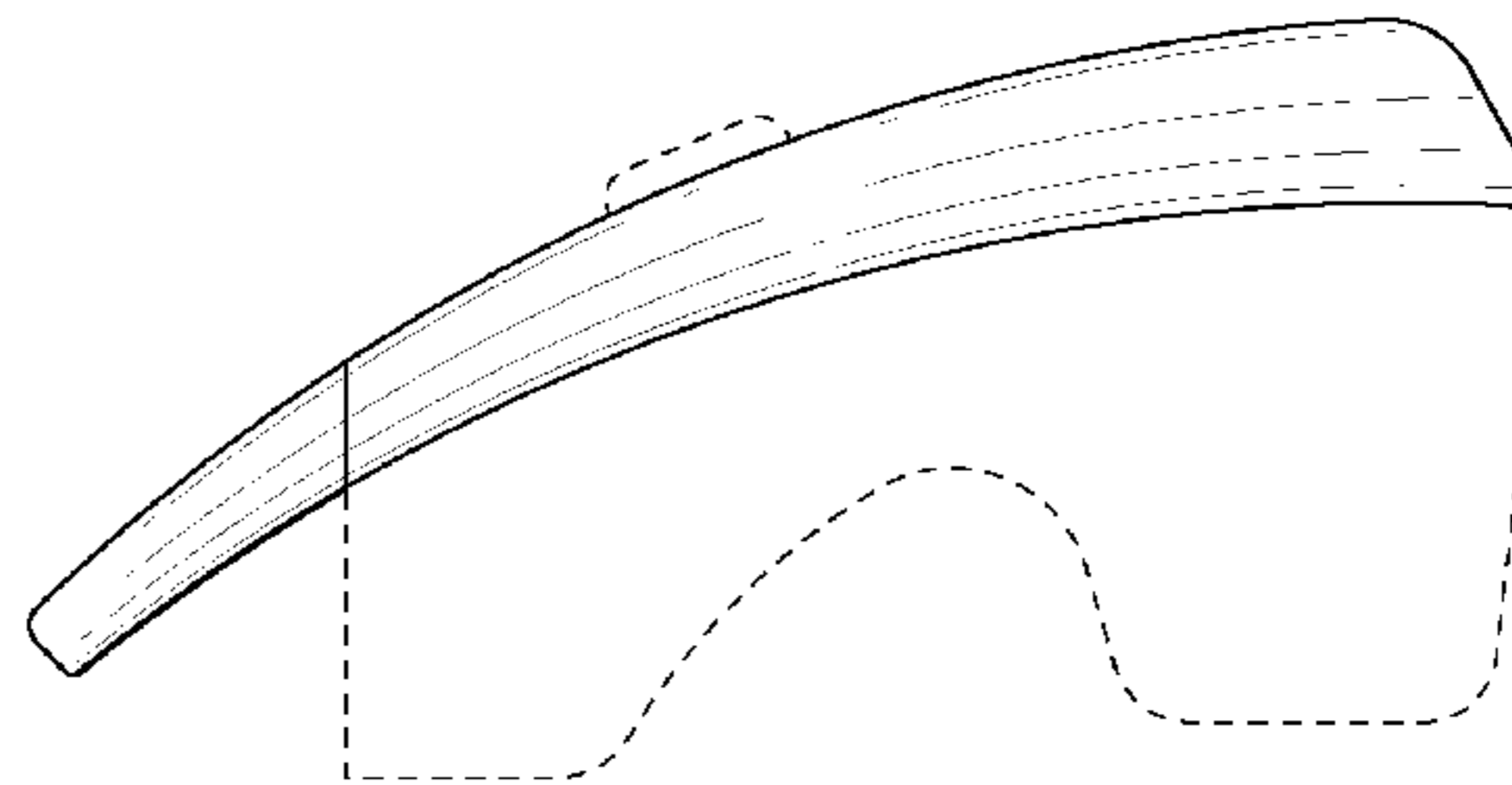
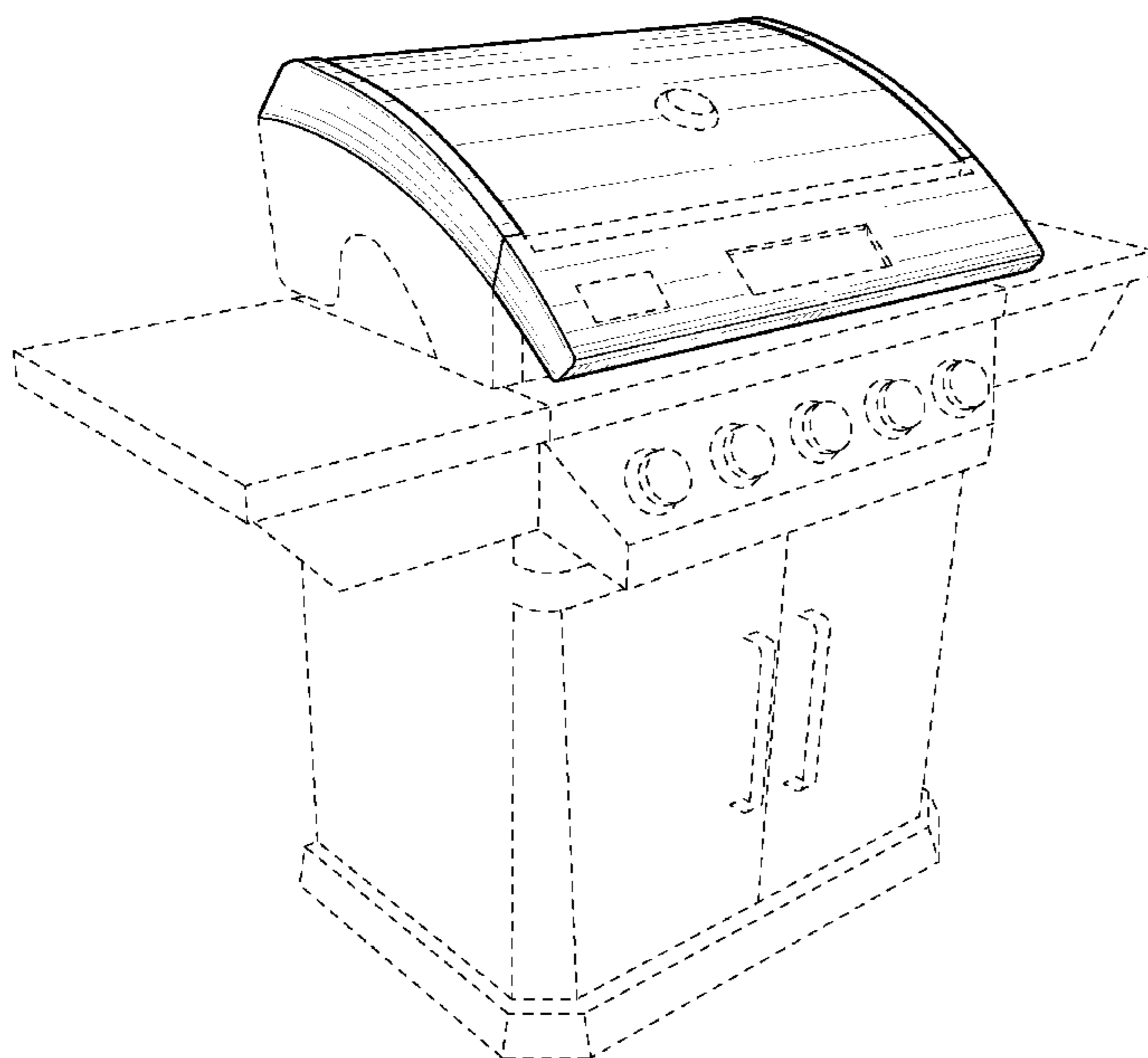
FIG. 5 is a left side view thereof;

FIG. 6 is a top view thereof; and,

FIG. 7 is a bottom view thereof.

The details shown in broken lines form no part of the claimed design.

1 Claim, 5 Drawing Sheets



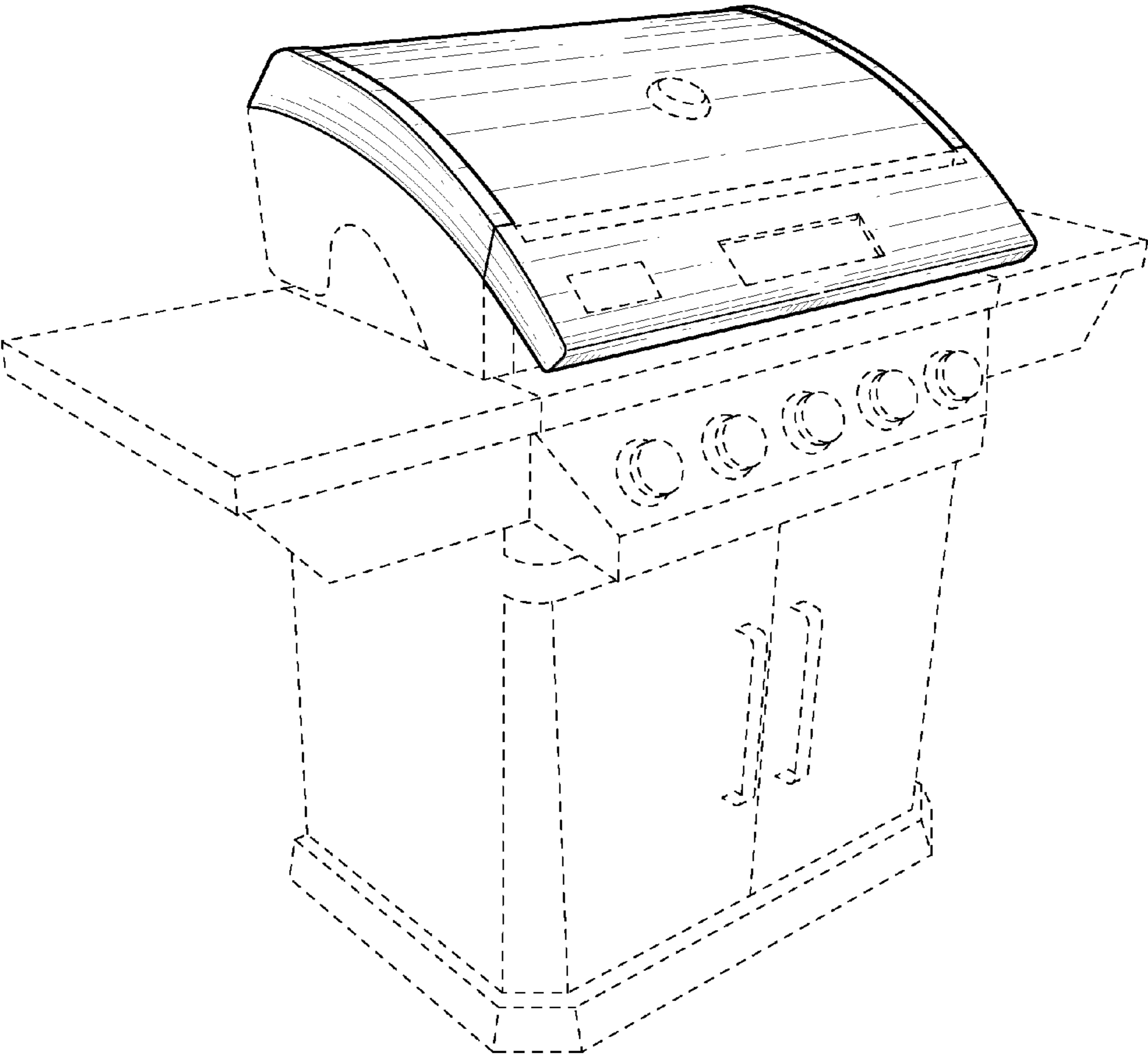


FIG. 1

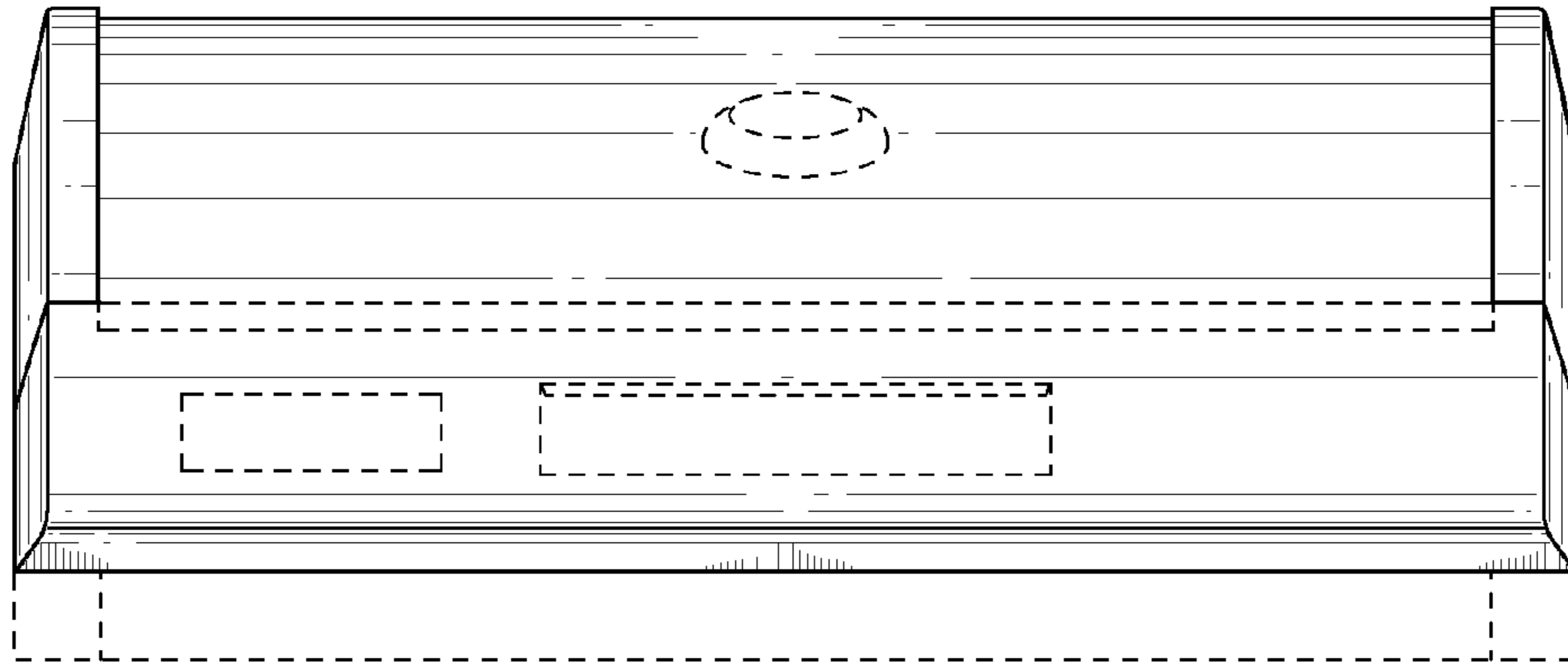


FIG. 2

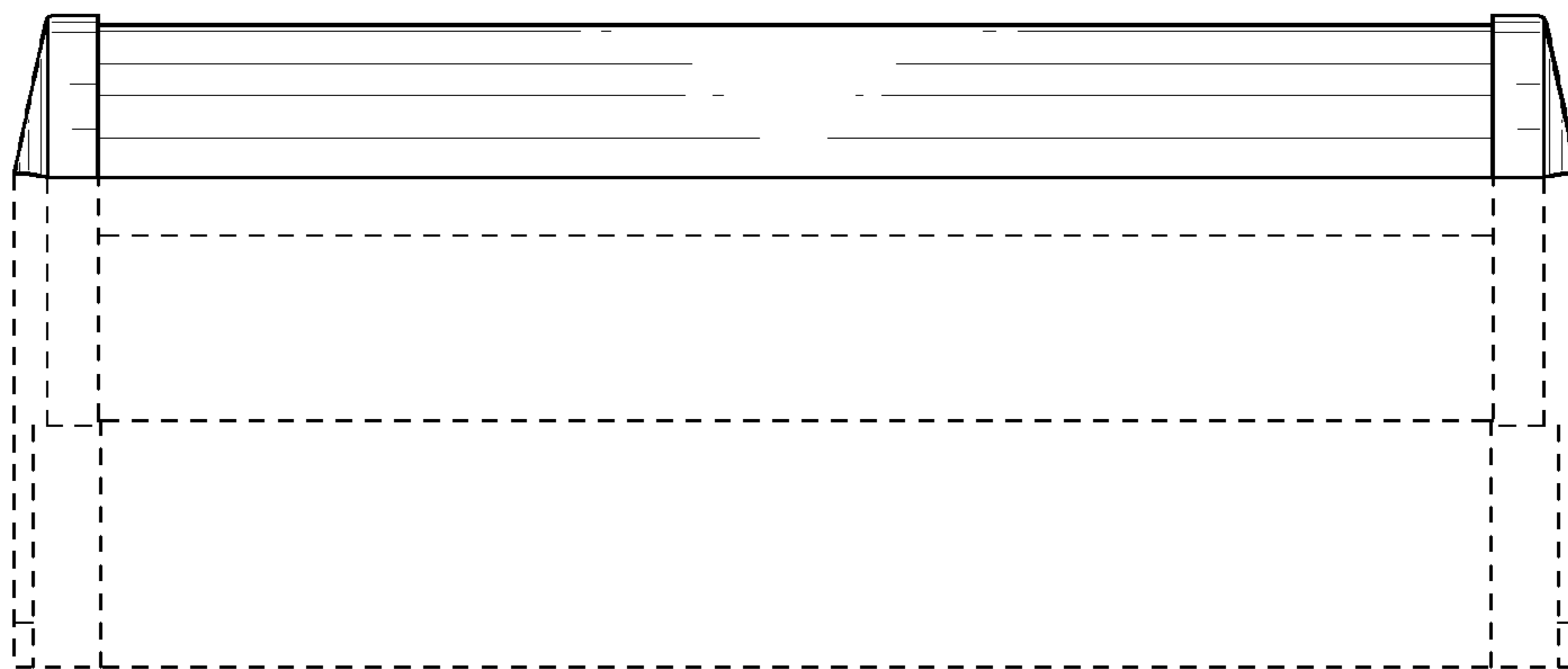


FIG. 3

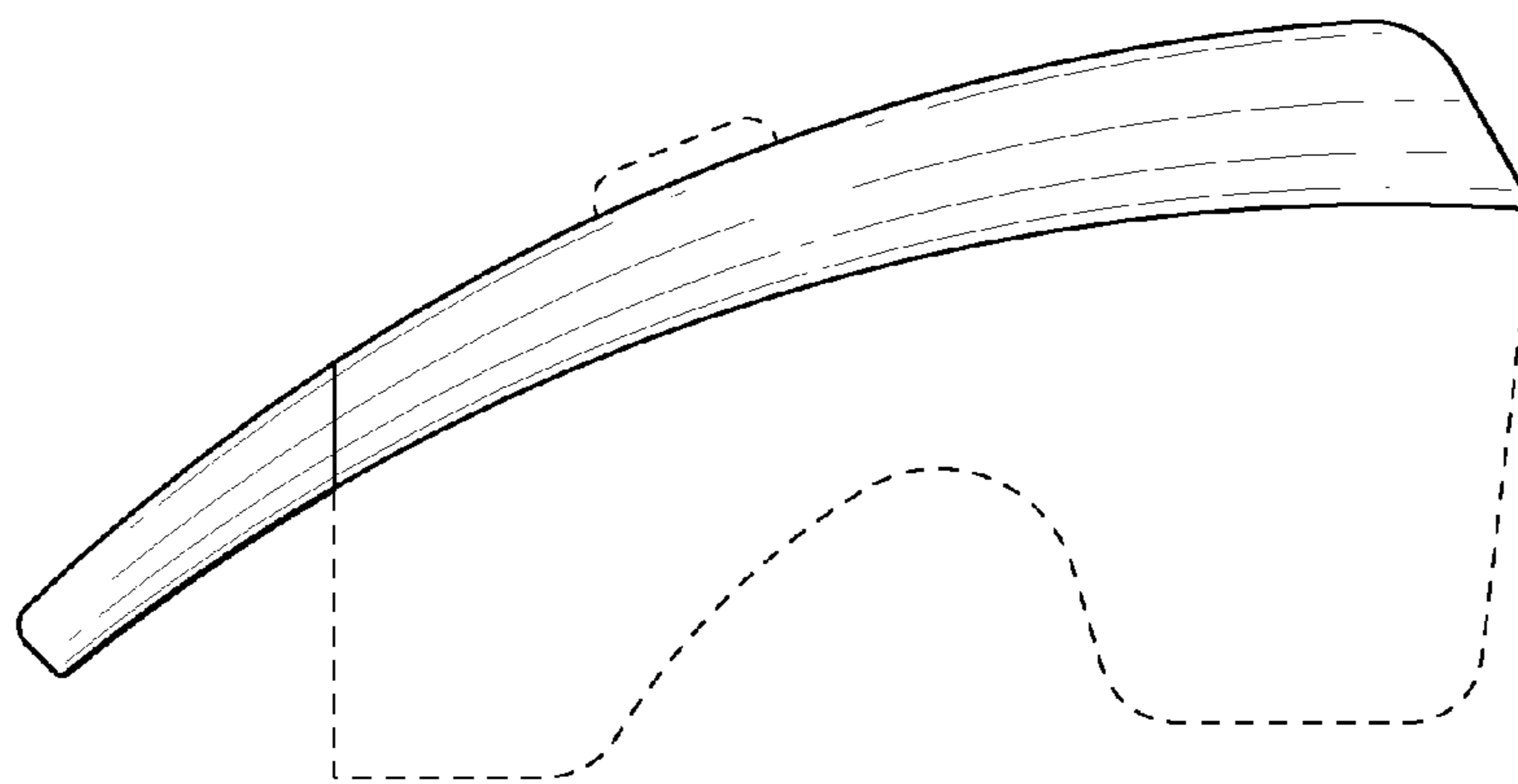


FIG. 4

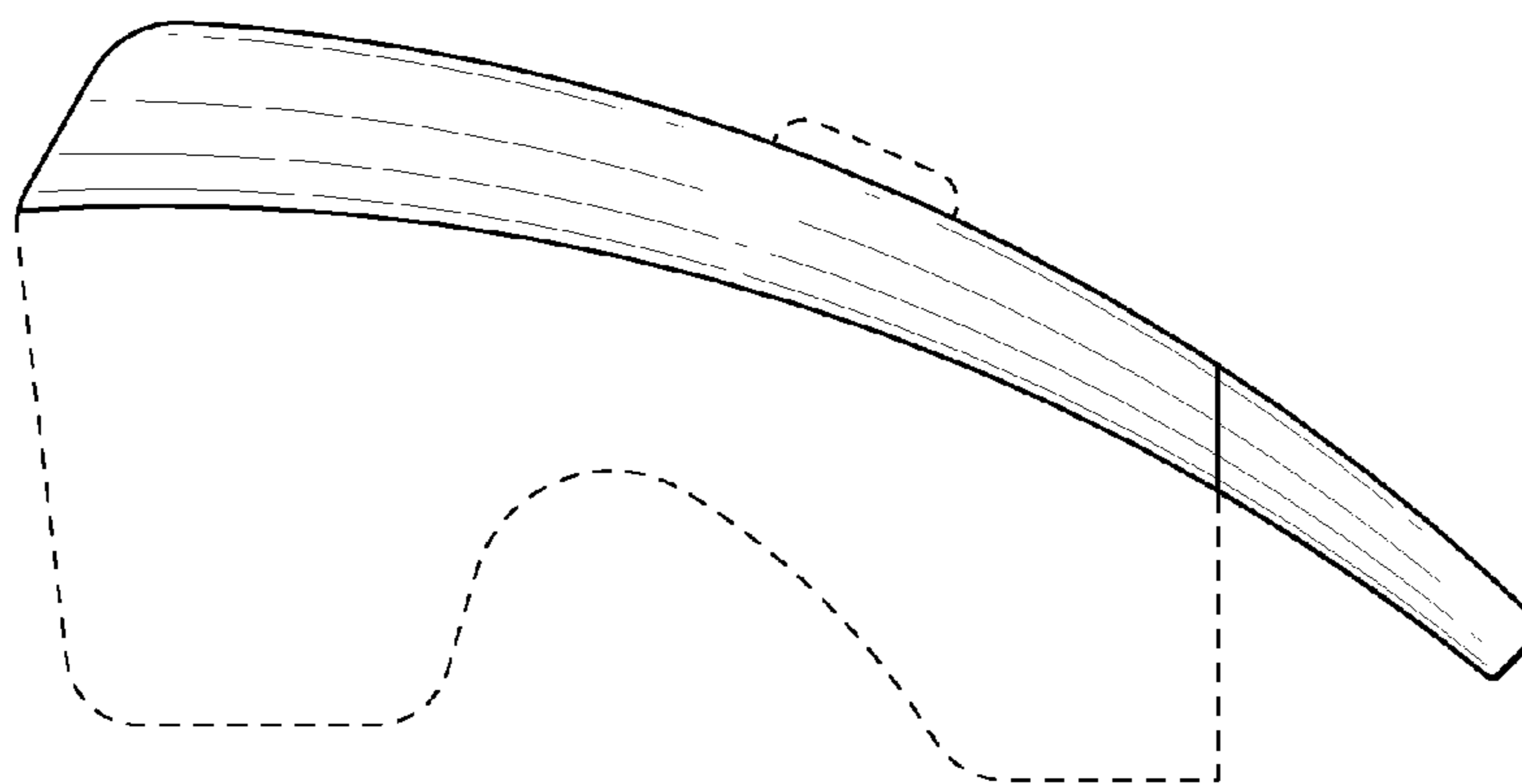


FIG. 5

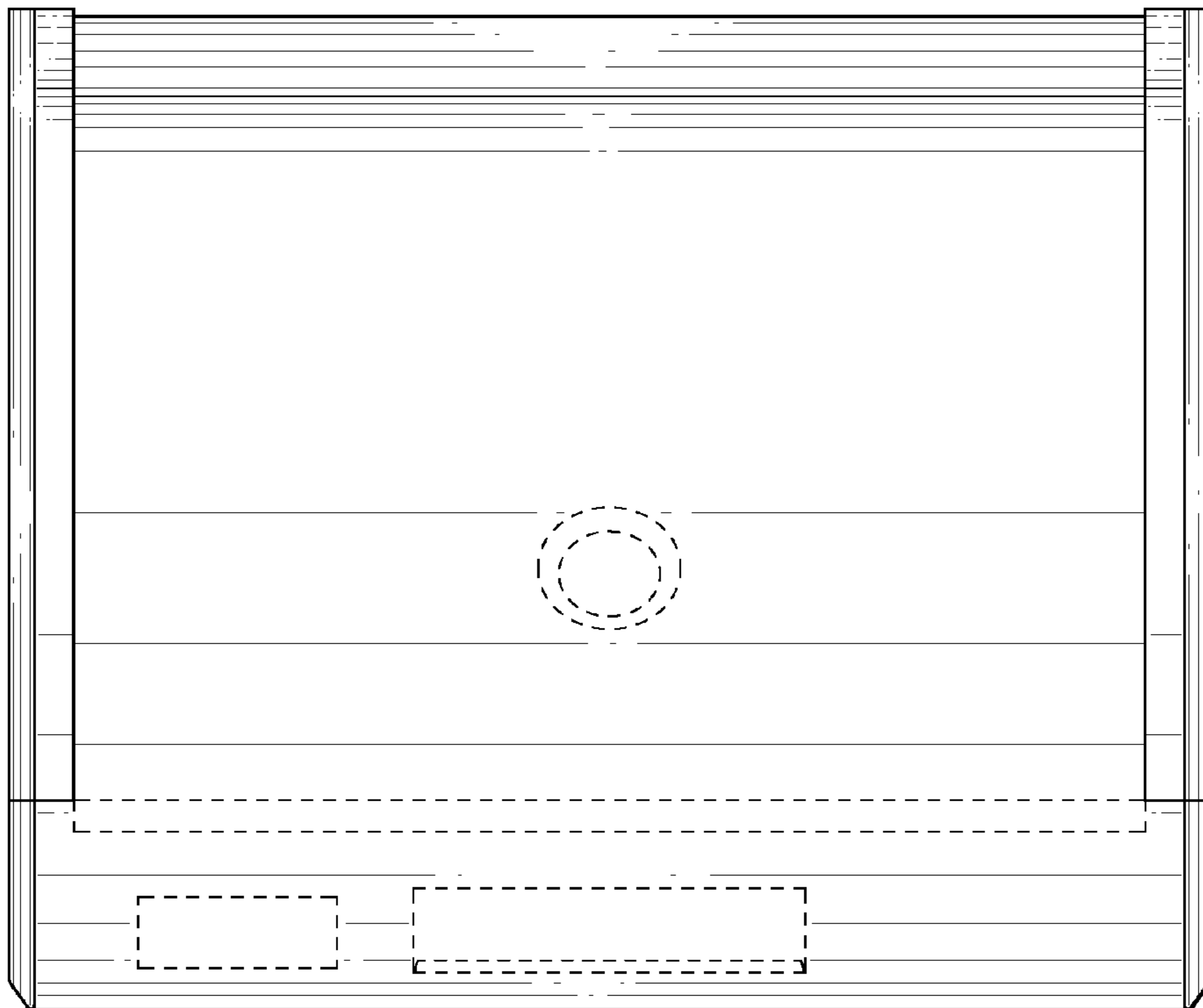


FIG. 6

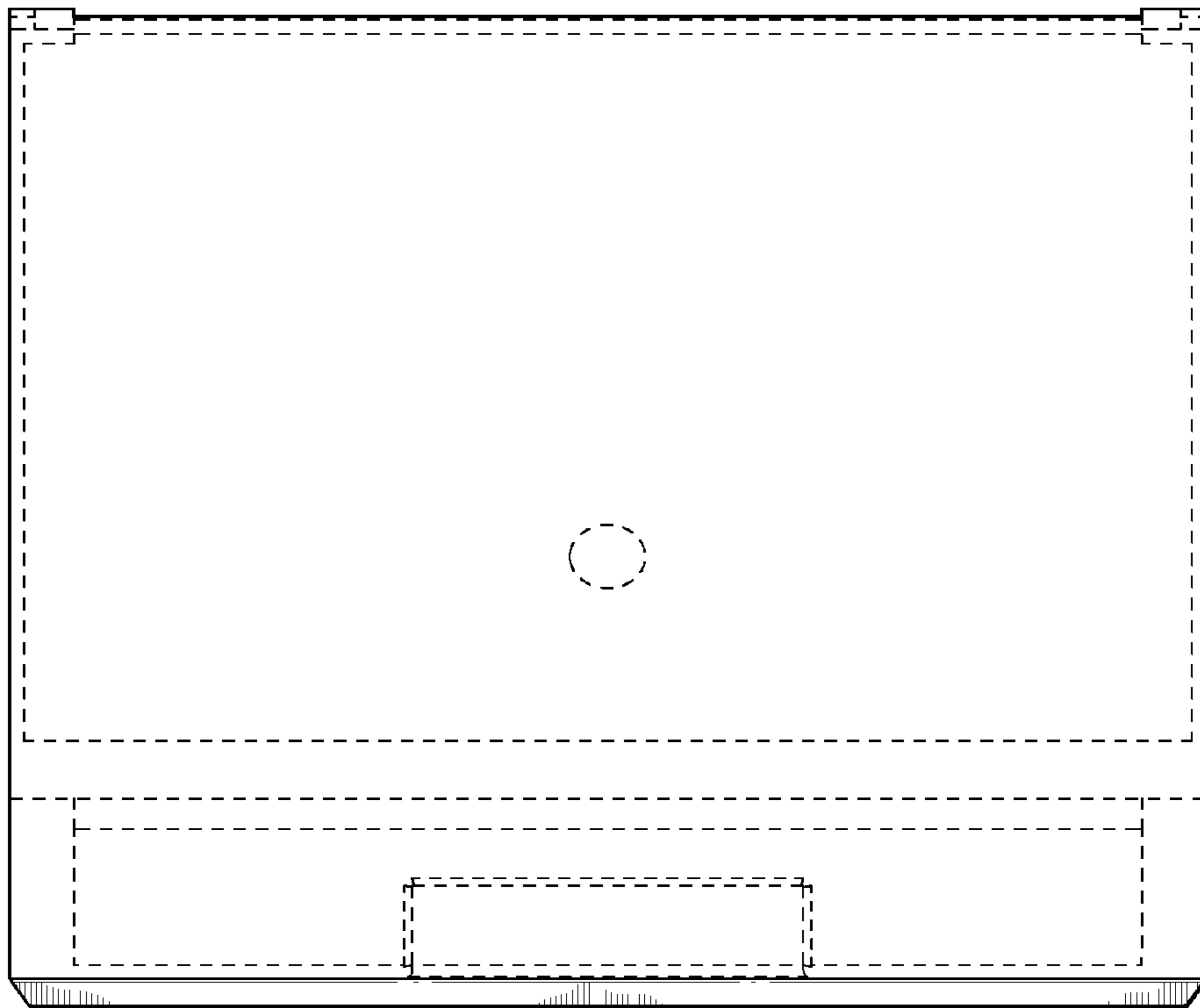


FIG. 7