



US00D711685S

(12) **United States Design Patent**  
**Delassus**

(10) **Patent No.:** **US D711,685 S**

(45) **Date of Patent:** **\*\* Aug. 26, 2014**

(54) **HANDLE FOR COOKING UNTENSIL**

(75) Inventor: **Elodie Delassus**, Bernin (FR)

(73) Assignee: **TEFAL**, Rumilly (FR)

(\*\*) Term: **14 Years**

(21) Appl. No.: **29/416,471**

(22) Filed: **Mar. 22, 2012**

(30) **Foreign Application Priority Data**

Nov. 30, 2011 (FR) ..... 11 5761

(51) **LOC (10) CL.** ..... **07-02**

(52) **U.S. CL.**  
USPC ..... **D7/395**

(58) **Field of Classification Search**  
USPC ..... D7/354–361, 393–395, 401.2, 664;  
D8/107, 300, 303, 307, 313, 321;  
D4/138, 129; 16/421, 430, 431, 110.1,  
16/407; 220/573.1–573.5, 752, 753, 755,  
220/756, 759, 767, 771, 912  
See application file for complete search history.

(56) **References Cited**

**U.S. PATENT DOCUMENTS**

D429,950 S \* 8/2000 Yu et al. .... D7/395  
D555,425 S \* 11/2007 Rae ..... D7/395

D560,429 S \* 1/2008 Prakasa ..... D7/395  
D575,982 S \* 9/2008 Rae ..... D7/393  
D593,794 S \* 6/2009 Rae ..... D7/395  
D596,897 S \* 7/2009 Tetreault et al. .... D7/395  
D618,052 S \* 6/2010 Rae ..... D7/395  
D630,055 S \* 1/2011 Rae ..... D7/395  
D658,004 S \* 4/2012 Rae ..... D7/395  
D664,390 S \* 7/2012 Shen ..... D7/395  
D667,689 S \* 9/2012 Rae ..... D7/395

\* cited by examiner

*Primary Examiner* — Cynthia M Chin

(74) *Attorney, Agent, or Firm* — The Webb Law Firm

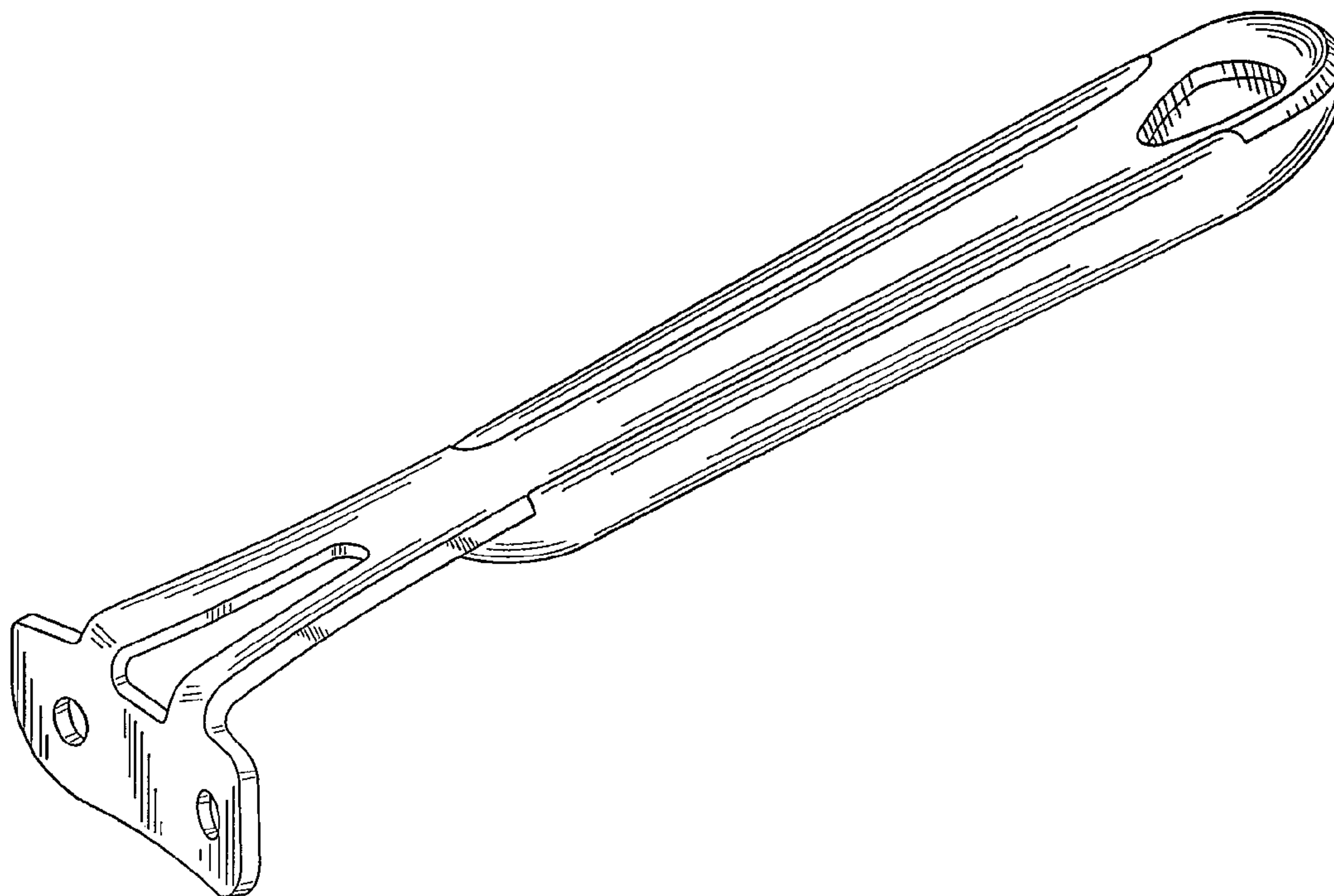
(57) **CLAIM**

The ornamental design for a handle for cooking utensils, as shown and described.

**DESCRIPTION**

FIG. 1 is a front right perspective view of the handle for cooking utensils of the present invention;  
FIG. 2 is a left side view thereof;  
FIG. 3 is a bottom view thereof;  
FIG. 4 is a top view thereof;  
FIG. 5 is a right side view thereof;  
FIG. 6 is a rear view thereof; and,  
FIG. 7 is a front view thereof.

**1 Claim, 6 Drawing Sheets**



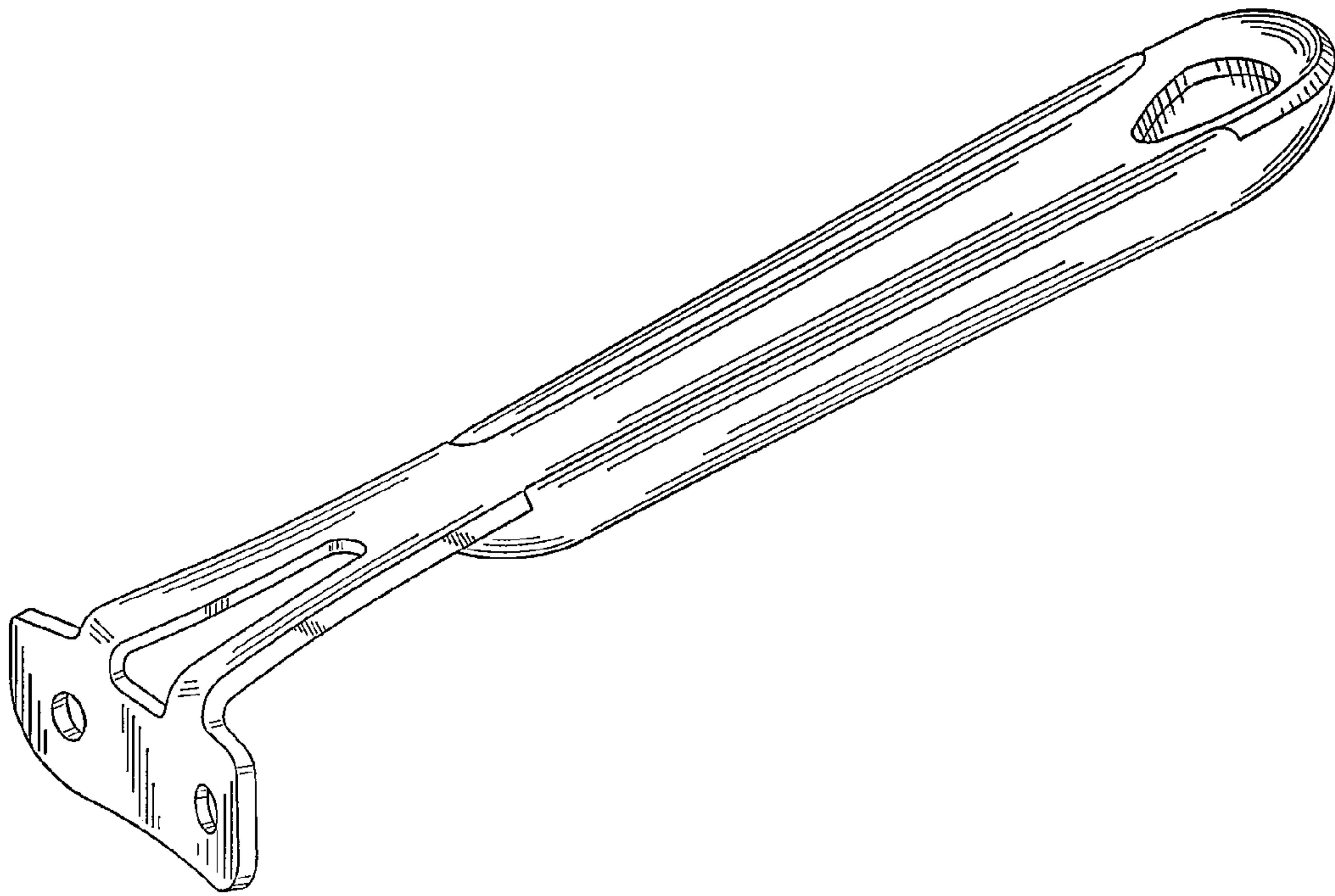


FIG. 1

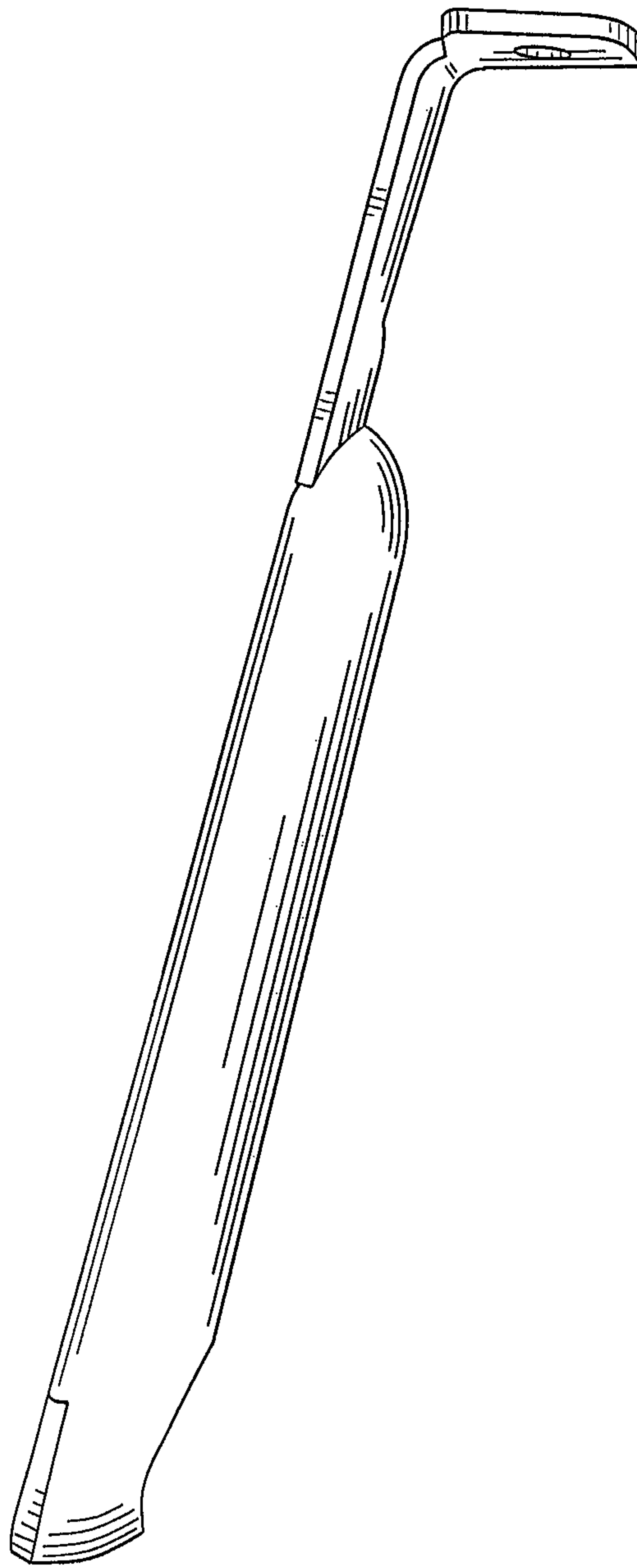


FIG. 2

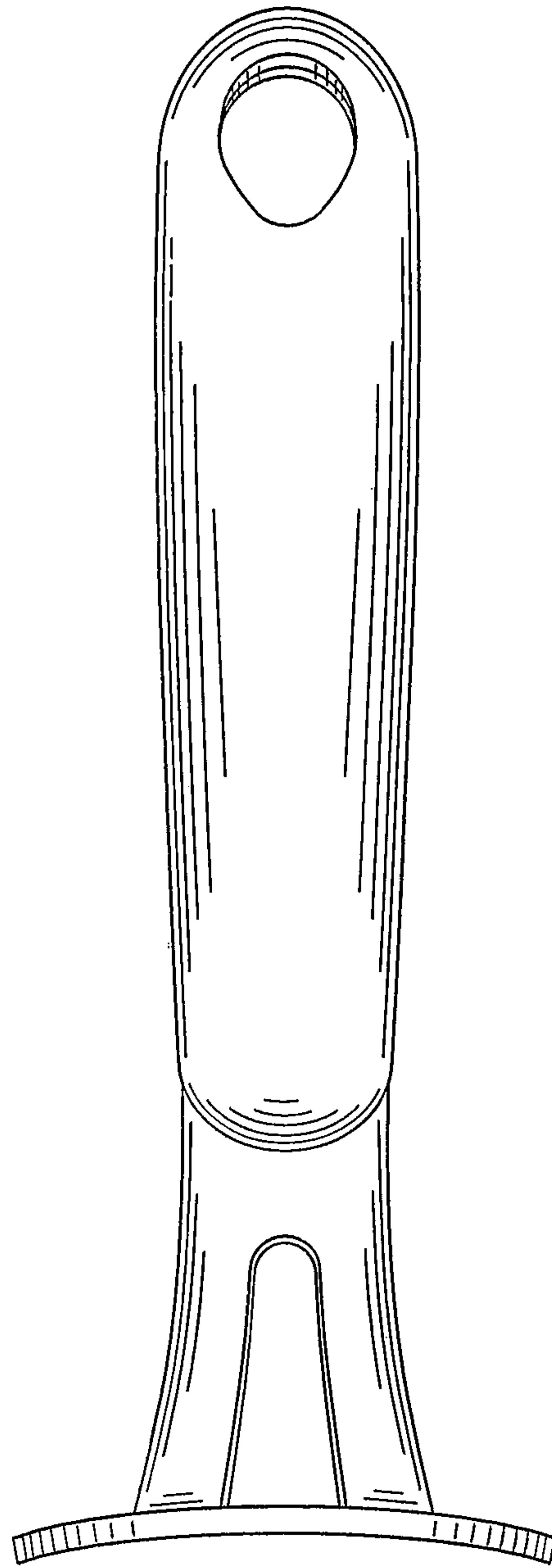


FIG. 3

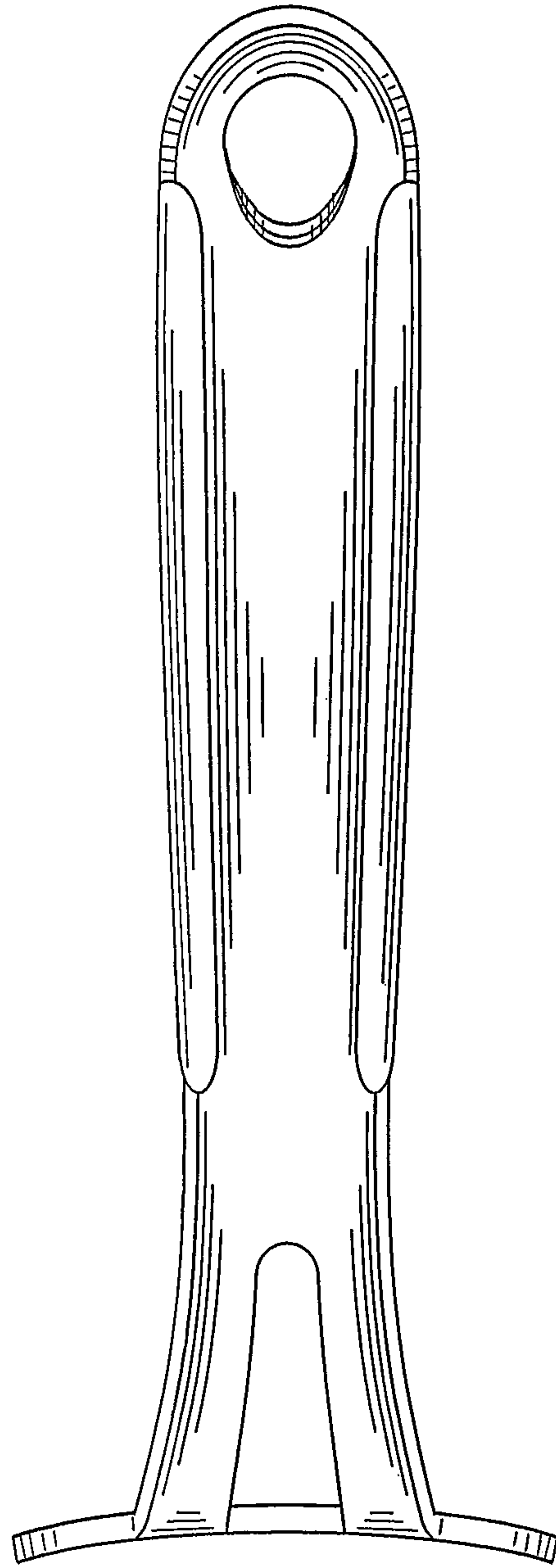


FIG. 4

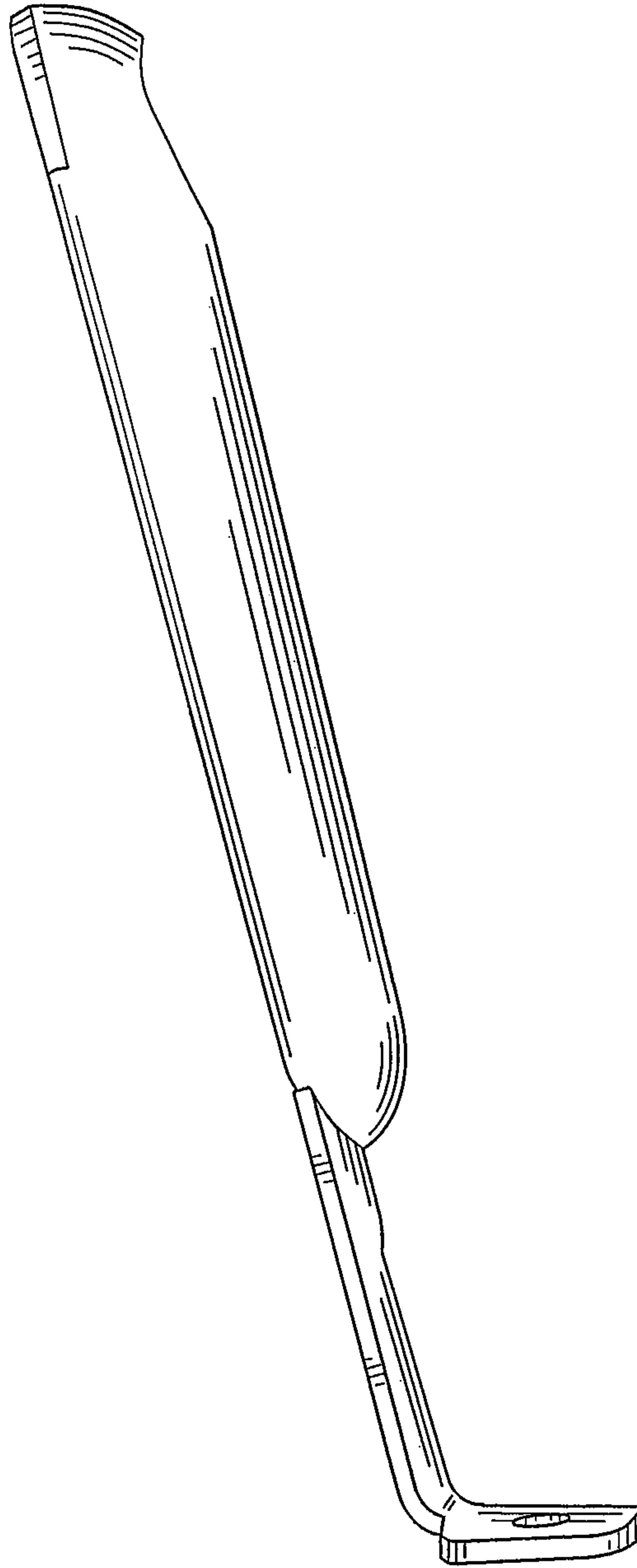


FIG. 5

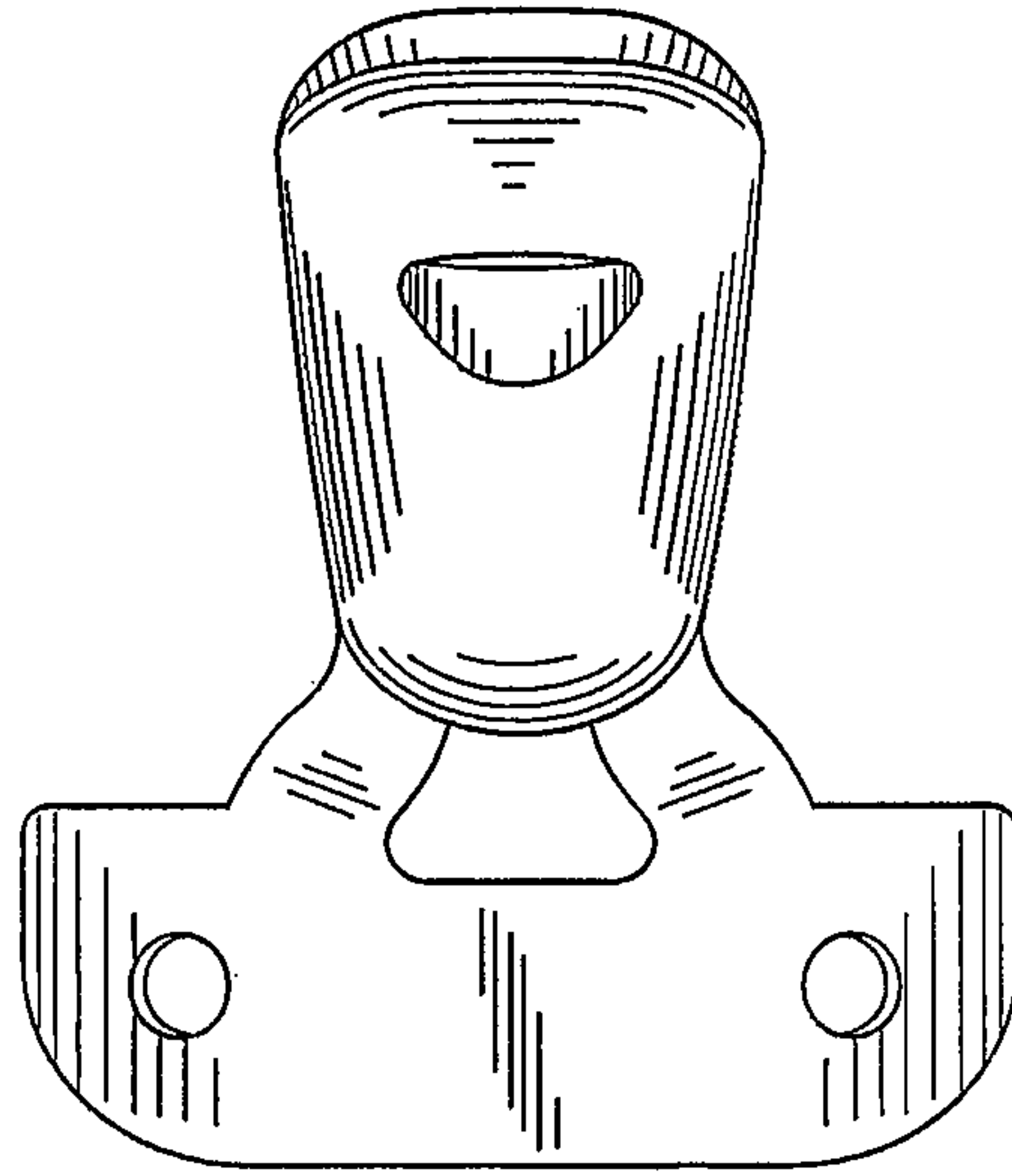


FIG. 6

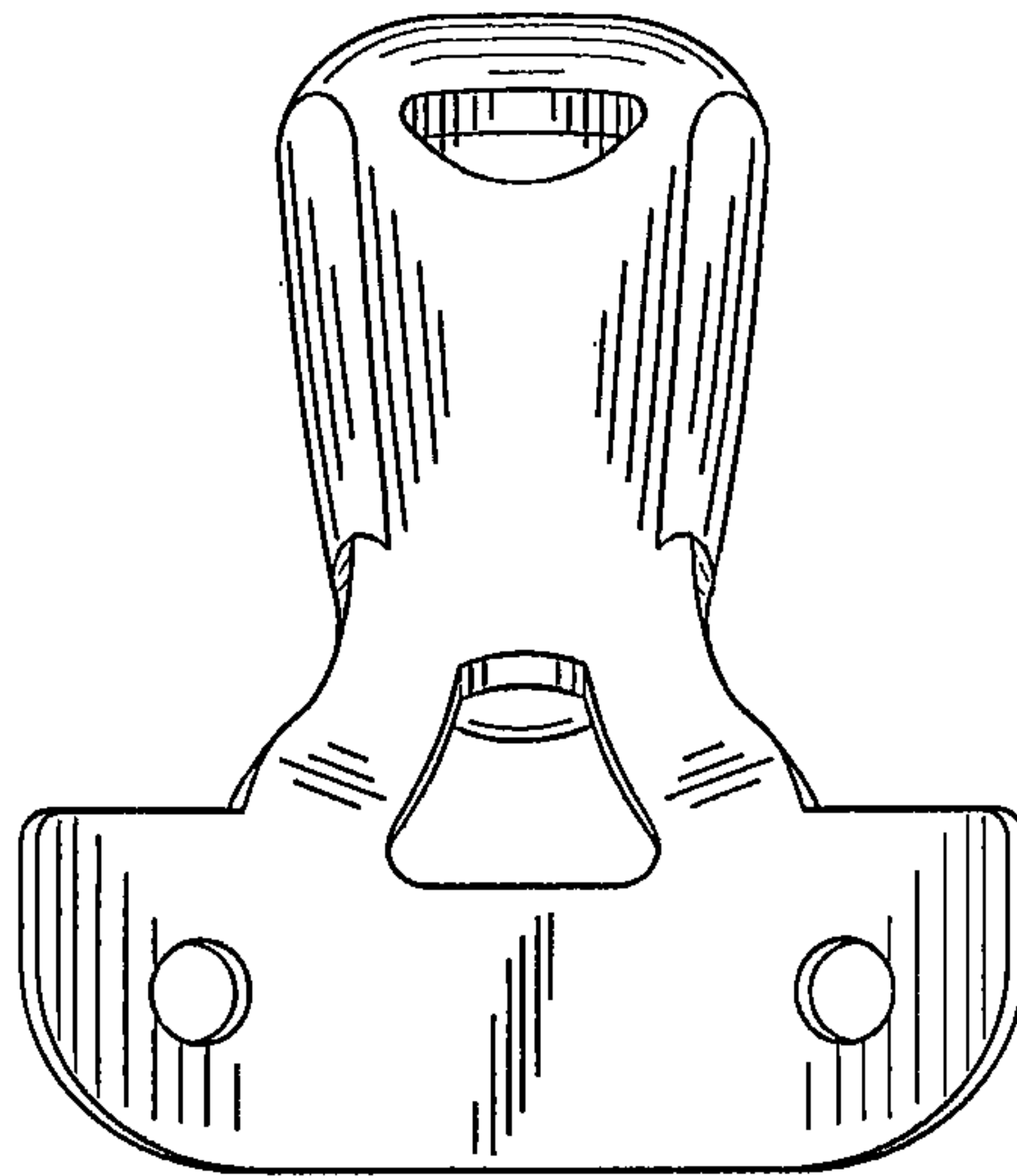


FIG. 7

UNITED STATES PATENT AND TRADEMARK OFFICE  
**CERTIFICATE OF CORRECTION**

PATENT NO. : D711,685 S  
APPLICATION NO. : 29/416471  
DATED : August 26, 2014  
INVENTOR(S) : Elodie Delassus

Page 1 of 1

It is certified that error appears in the above-identified patent and that said Letters Patent is hereby corrected as shown below:

Title page, Item (54) Title, Column 1, Line 1, and in the Specification, Column 1, Line 1, delete  
“UNTENSIL” and insert -- UTENSILS --

Signed and Sealed this  
Twenty-third Day of December, 2014



Michelle K. Lee  
*Deputy Director of the United States Patent and Trademark Office*