



US00D711681S

(12) **United States Design Patent**  
**Darke**

(10) **Patent No.:** **US D711,681 S**

(45) **Date of Patent:** **\*\* Aug. 26, 2014**

- (54) **HEATED DIP SERVING TRAY**
- (71) Applicant: **Beth Darke**, Carmichaels, PA (US)
- (72) Inventor: **Beth Darke**, Carmichaels, PA (US)
- (\*\*) Term: **14 Years**
- (21) Appl. No.: **29/456,308**
- (22) Filed: **May 30, 2013**
- (51) **LOC (10) Cl.** ..... **07-02**
- (52) **U.S. Cl.**  
USPC ..... **D7/362; D7/354**
- (58) **Field of Classification Search**  
USPC ..... D7/307, 323, 329–332, 339, 346–347,  
D7/350.1–350.4, 353–367, 391–392,  
D7/392.1, 393, 395, 402, 406, 409,  
D7/538–542, 610; 99/324–325, 331–332,  
99/337–343, 369, 400–418, 422, 425, 426,  
99/444, 451, 483; 126/37 R, 261, 374.1,  
126/378.1, 381.1, 385.1; 206/501–505,  
206/507–508; 219/400, 405, 429–442,  
219/620–624, 725, 730–735; 220/203.05,  
220/203.07, 203.09, 298, 315–316,  
220/573.1–573.5, 912; 426/438, 441  
See application file for complete search history.

6,274,847	B1 *	8/2001	Hlava et al.	.....	219/433
6,515,262	B1	2/2003	Li		
6,624,392	B2 *	9/2003	Li	.....	219/429
6,653,602	B2 *	11/2003	Li	.....	219/432
6,927,365	B2 *	8/2005	Li	.....	219/432
D557,975	S *	12/2007	Yu	.....	D7/365
7,339,140	B2 *	3/2008	Tidey	.....	219/429
D620,746	S *	8/2010	Hsiao et al.	.....	D7/362
D642,423	S *	8/2011	Seymour	.....	D7/363

\* cited by examiner

*Primary Examiner* — Ricky Pham

(74) *Attorney, Agent, or Firm* — Daniel Boudwin; Global Intellectual Property Agency LLC

(57) **CLAIM**

The ornamental design for a heated dip serving tray, as shown and described.

**DESCRIPTION**

FIG. 1 shows an exploded perspective view of the serving tray base, the tray insert, and the tray cover, along with dip shown in broken lines within the tray insert.

FIG. 2 shows a perspective view of the assembled heated dip serving tray with a power switch shown in broken lines.

FIG. 3 shows a side view of the heated dip serving tray with a power switch shown in broken lines.

FIG. 4 shows another side view of the heated dip serving tray.

FIG. 5 shows an end view of the heated dip serving tray with a power switch shown in broken lines.

FIG. 6 shows a second end view of the heated dip serving tray with a power switch shown in broken lines.

FIG. 7 shows an underside view of the heated dip serving tray with a power switch shown in broken lines; and,

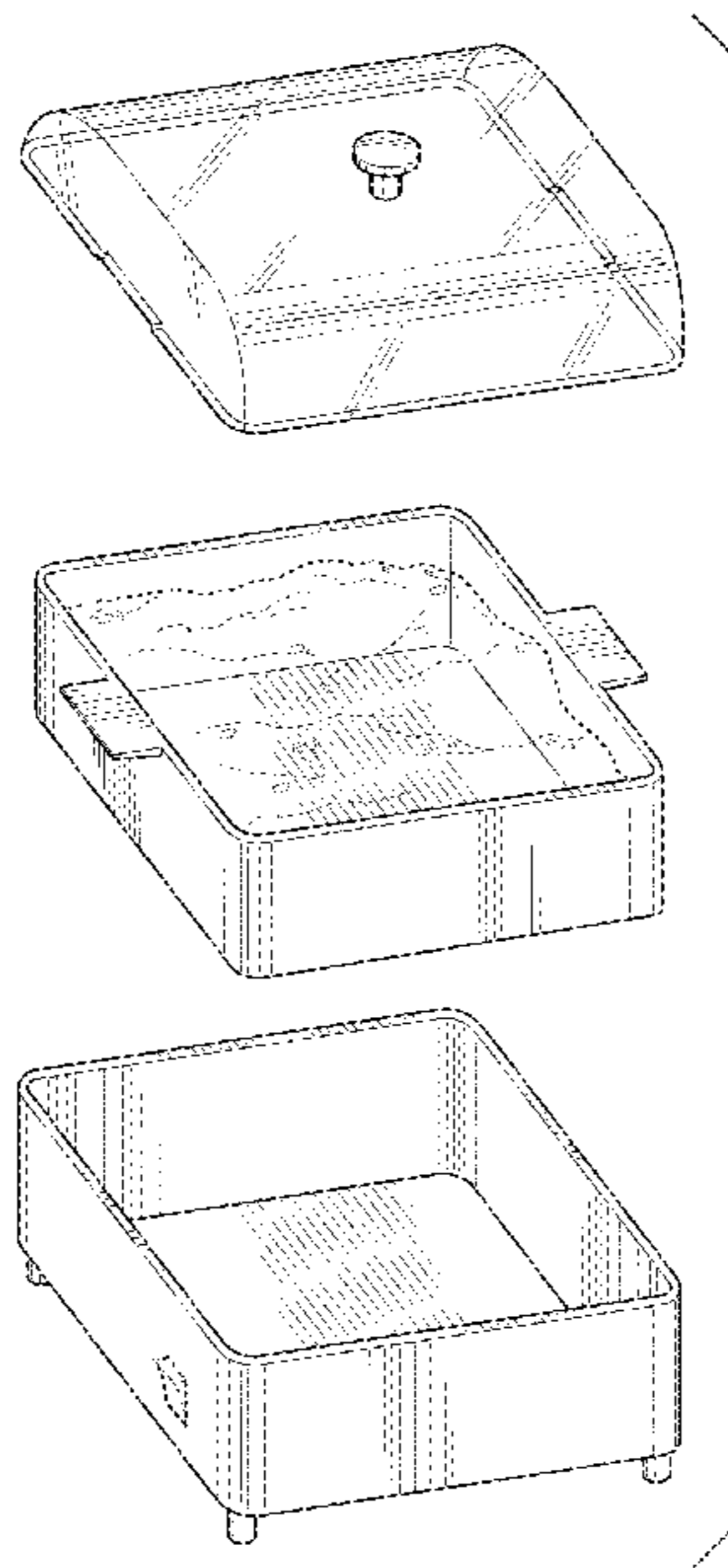
FIG. 8 shows an overhead view of the heated dip serving tray with a power switch shown in broken lines.

(56) **References Cited**

U.S. PATENT DOCUMENTS

D230,243	S	2/1974	Ottenstein		
D269,245	S	6/1983	Fabjancic		
D270,225	S	8/1983	Chiulli		
D366,592	S *	1/1996	Cesaroni et al.	.....	D7/360
D430,454	S *	9/2000	Garber et al.	.....	D7/354
D434,940	S *	12/2000	Hlava et al.	.....	D7/354
6,234,067	B1 *	5/2001	Schmidt	.....	99/426
D444,667	S *	7/2001	Wong et al.	.....	D7/362

**1 Claim, 6 Drawing Sheets**



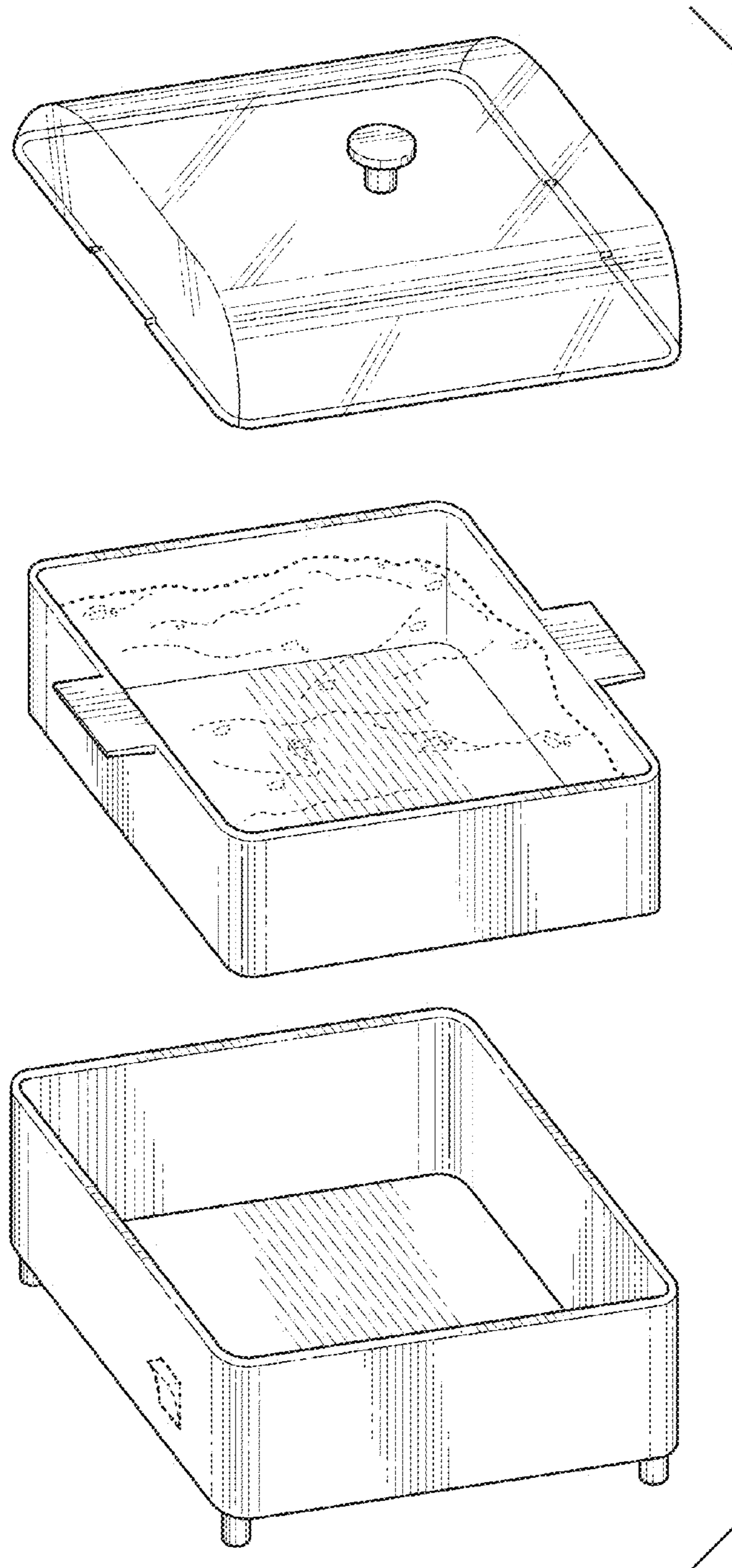


FIG. 1

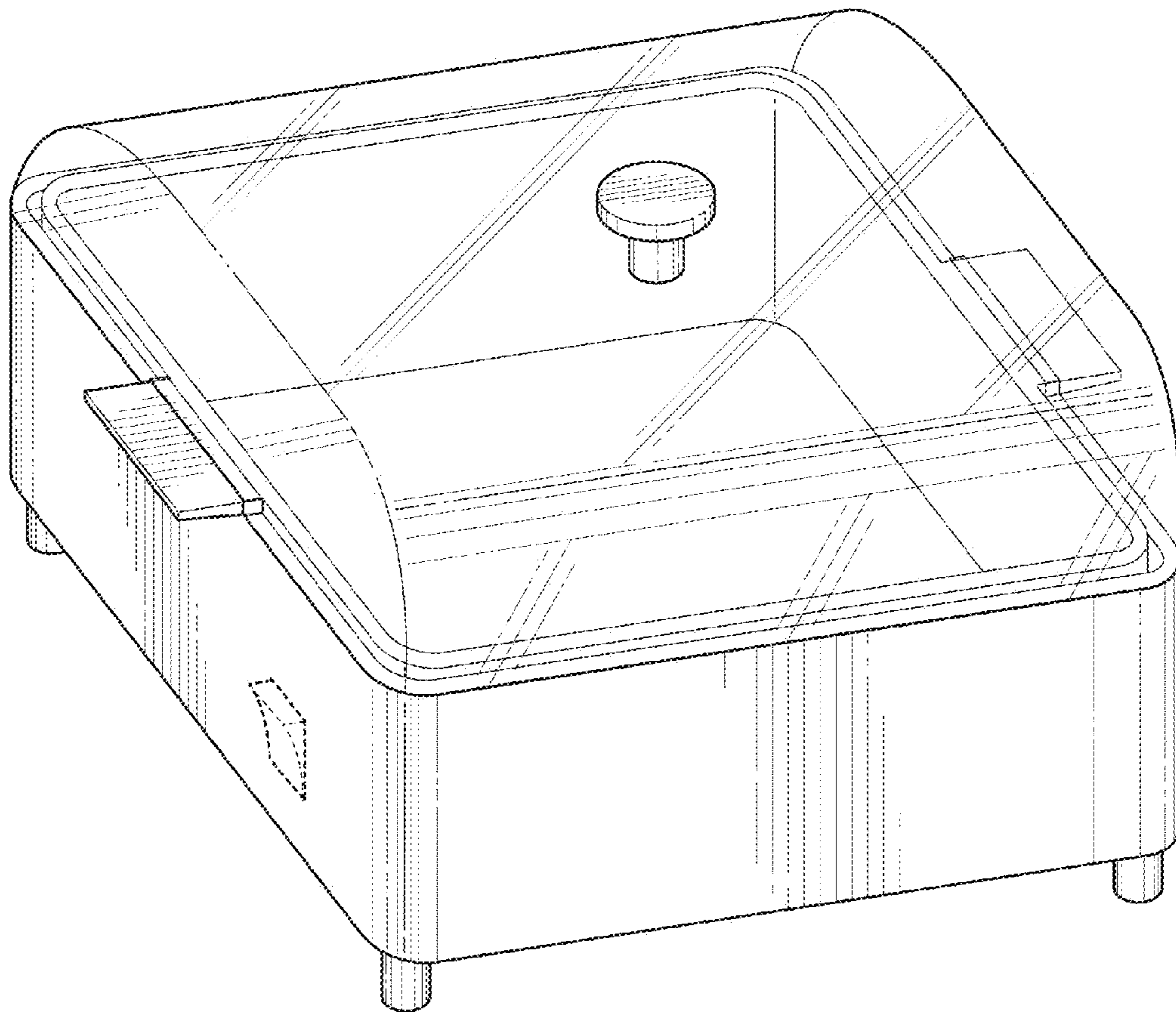


FIG. 2

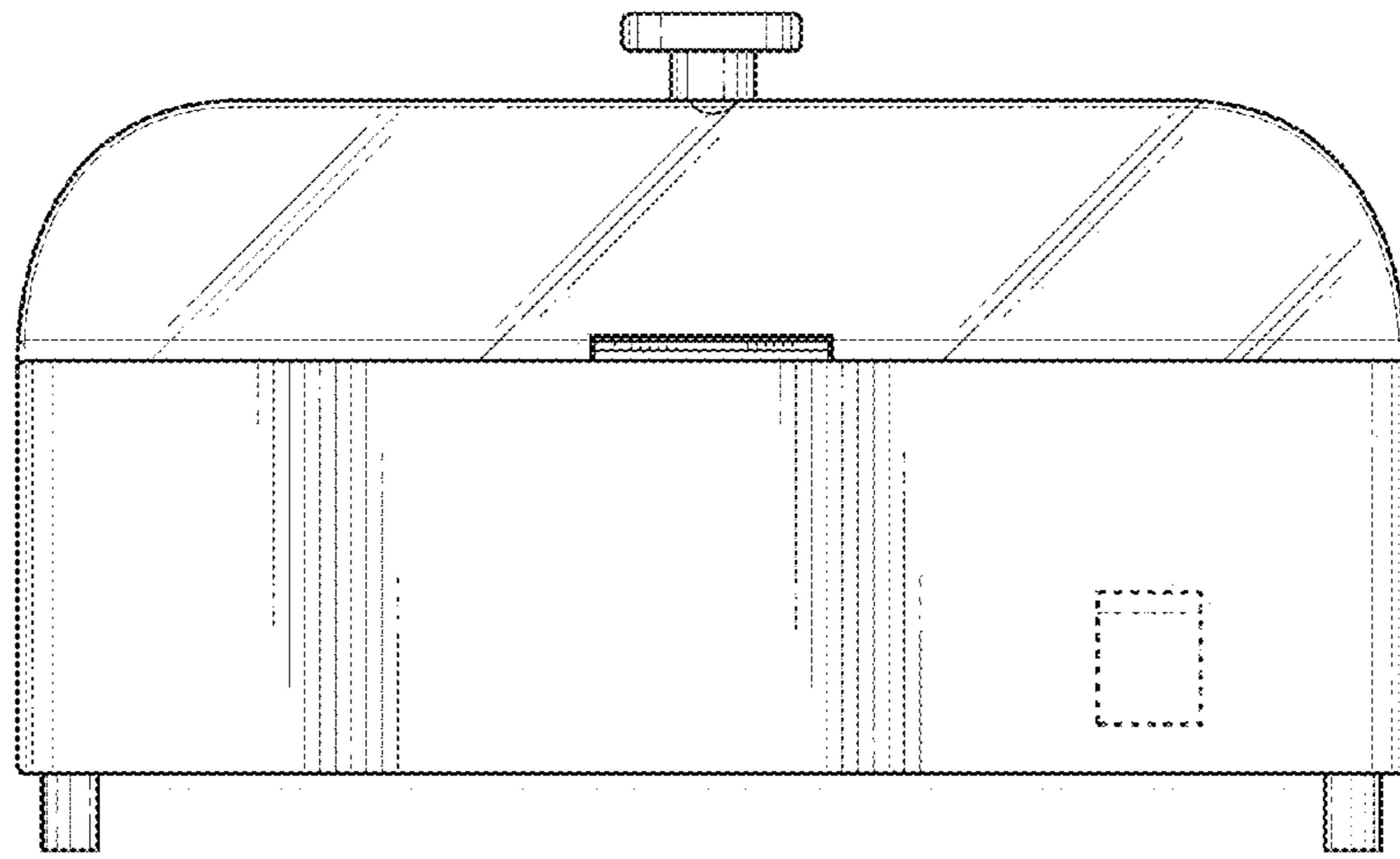


FIG. 3

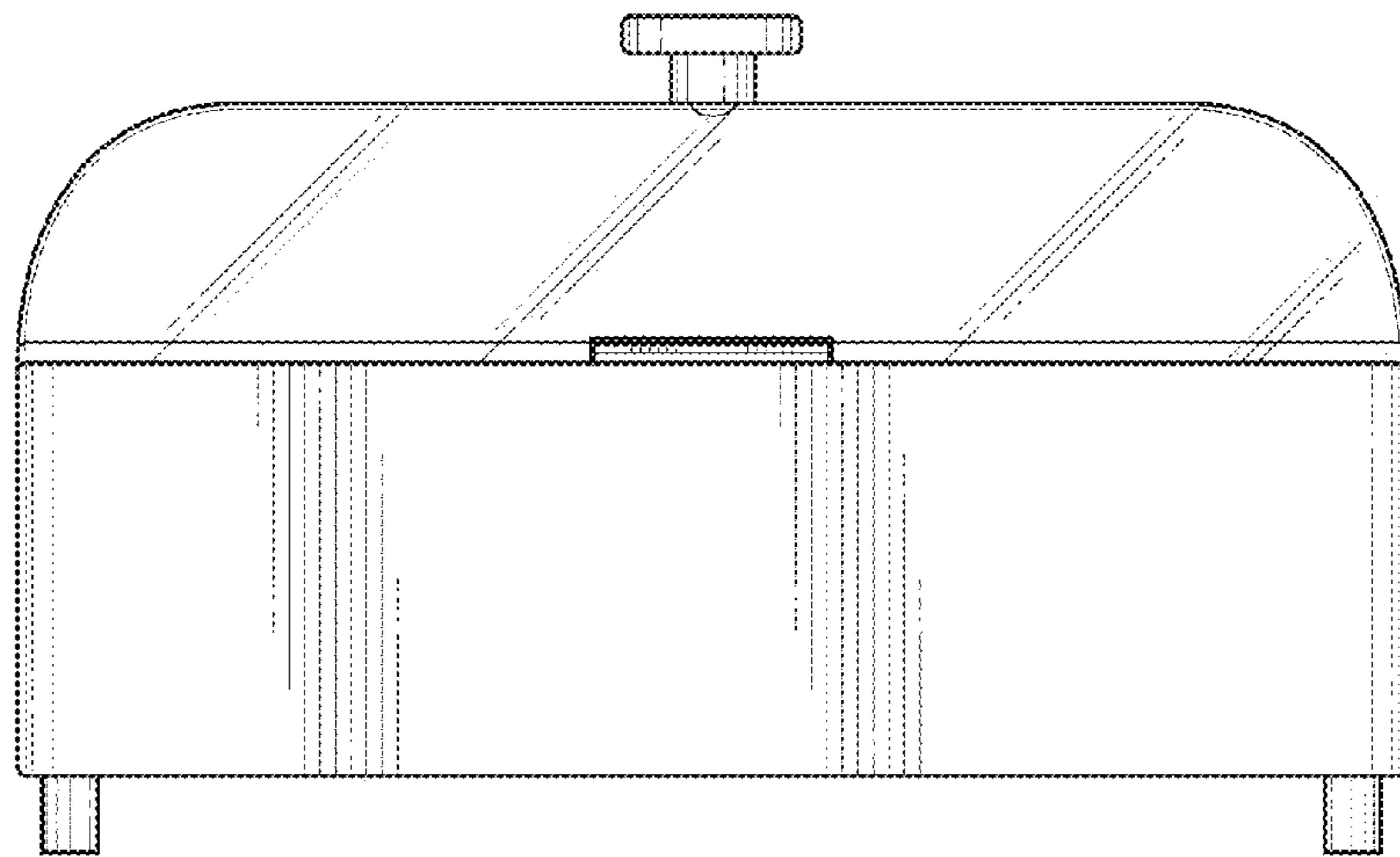


FIG. 4

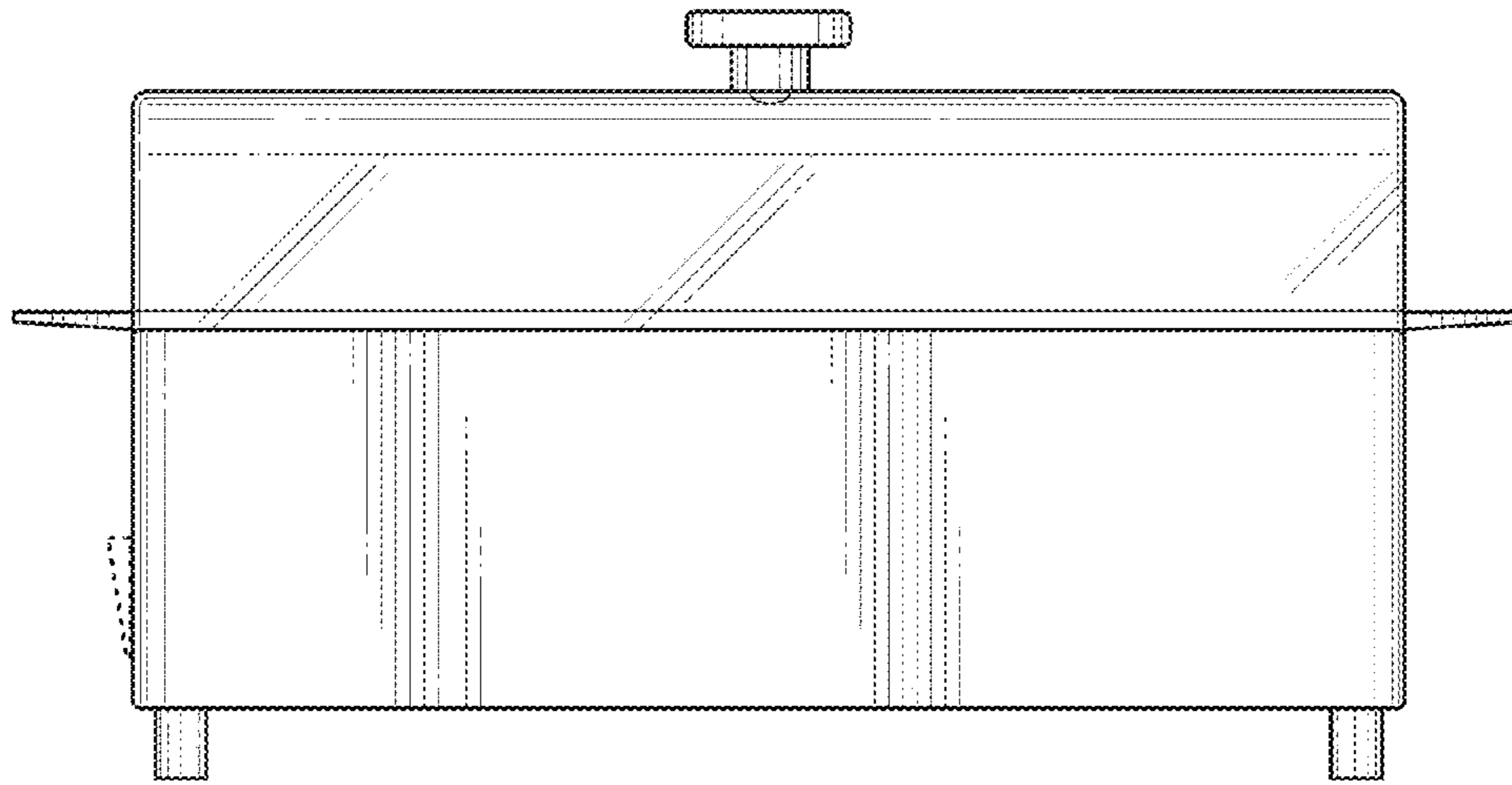


FIG. 5

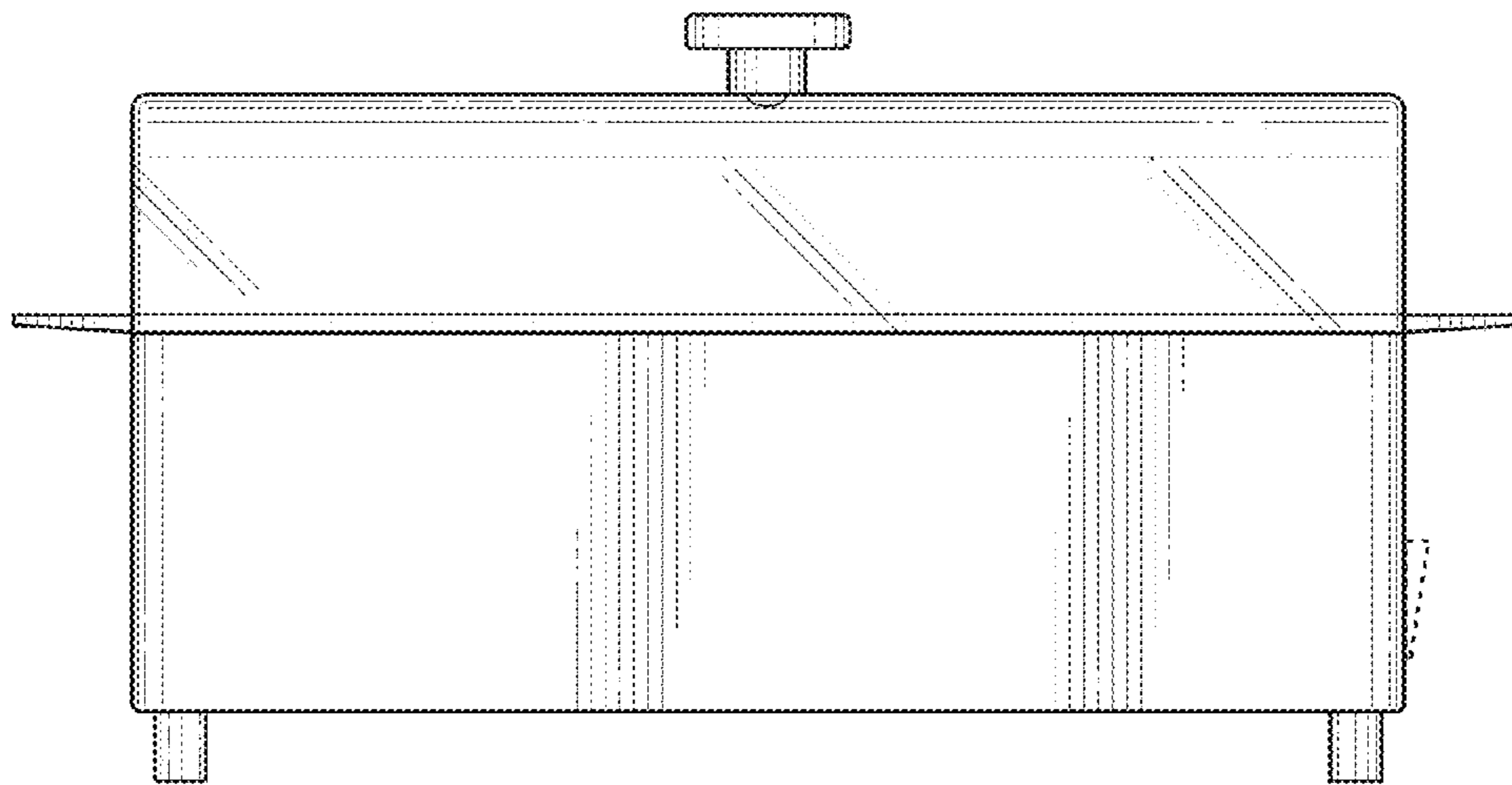


FIG. 6

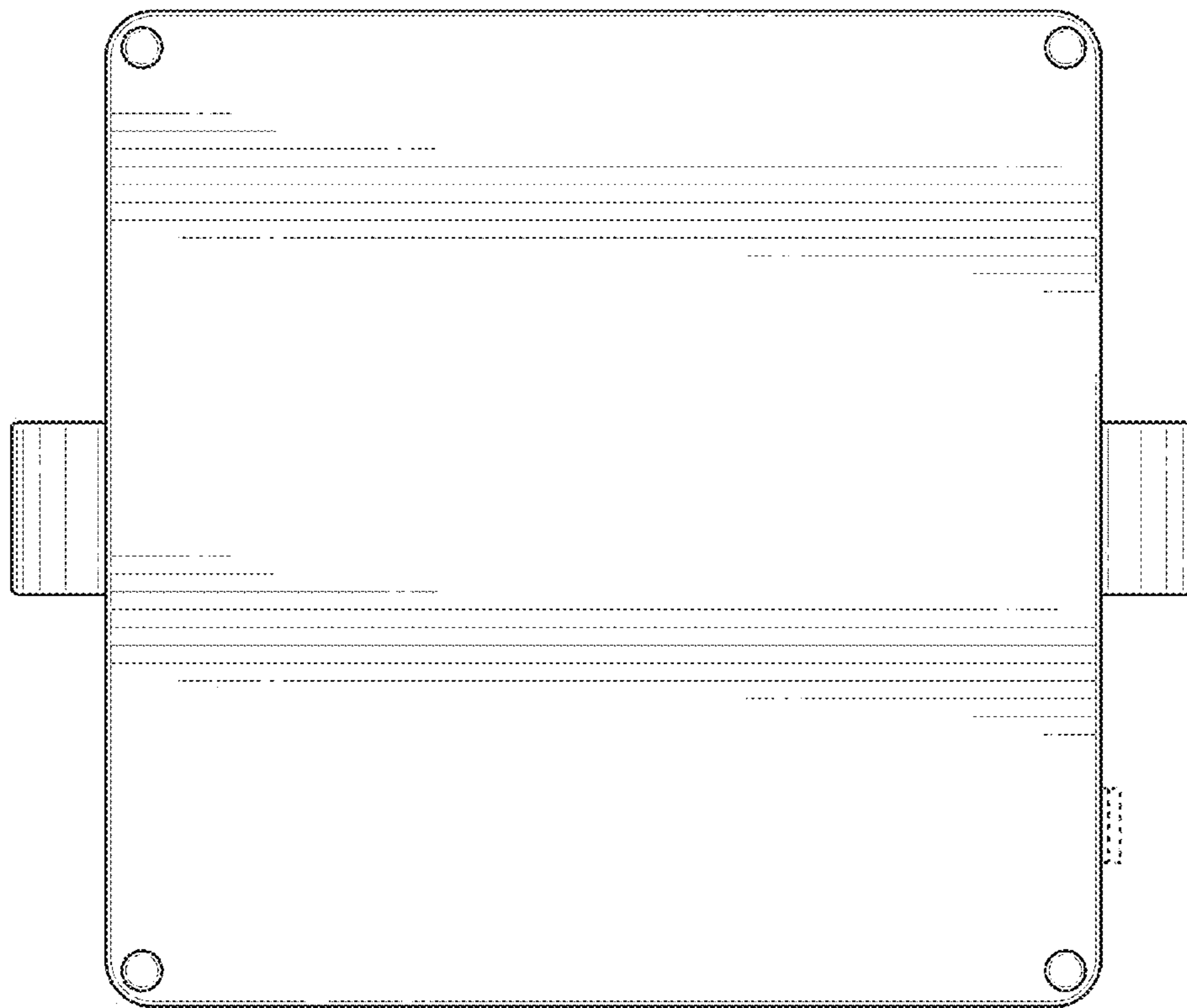


FIG. 7

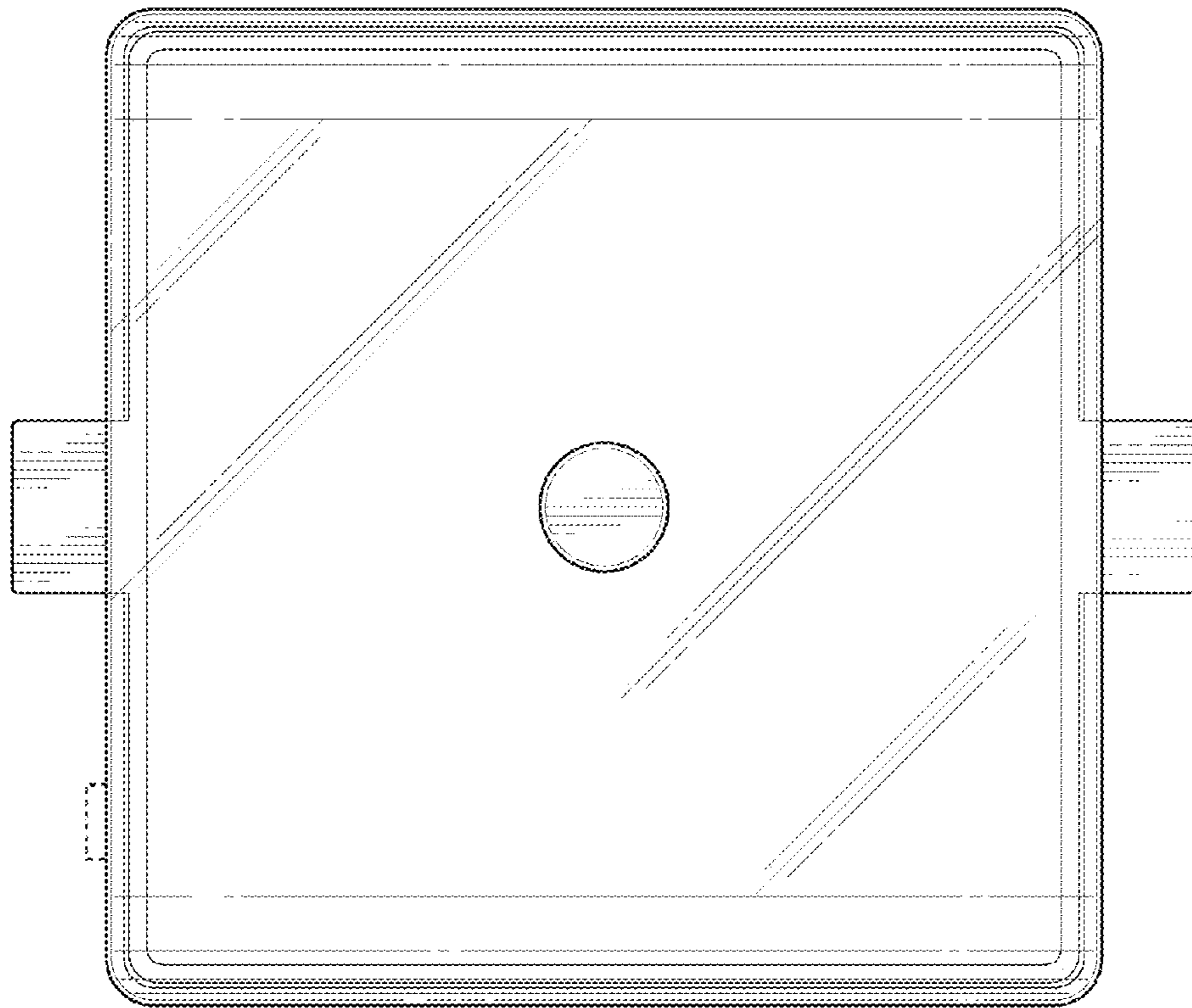


FIG. 8