



US00D711680S

(12) **United States Design Patent**  
**Masse**

(10) **Patent No.:** **US D711,680 S**

(45) **Date of Patent:** **\*\* Aug. 26, 2014**

(54) **MEATBALL BAKING PAN**

(56) **References Cited**

(71) Applicant: **Valerie Masse**, Brooklyn, NY (US)

U.S. PATENT DOCUMENTS

(72) Inventor: **Valerie Masse**, Brooklyn, NY (US)

(\*\*) Term: **14 Years**

(21) Appl. No.: **29/487,157**

(22) Filed: **Apr. 5, 2014**

(51) **LOC (10) Cl.** ..... **07-02**

(52) **U.S. Cl.**

USPC ..... **D7/357; D7/354**

(58) **Field of Classification Search**

CPC ..... A21B 3/00; A21B 3/13; A21B 3/15;  
A21B 3/134; A21B 5/00; A21B 5/02; A47J  
36/022; A47J 36/025; A47J 36/027; A47J  
37/00; A47J 37/04; B65D 1/22; B65D 1/24;  
B65D 1/34; B65D 1/36; B65D 81/343;  
B65D 85/36; F25C 1/24

USPC ..... D1/107, 109; D7/323, 354-361, 543,  
D7/545, 549, 550.1, 553.1-553.8,  
D7/554.1-554.4, 555, 584, 586;  
D9/430-433, 455-456, 715, 737,  
D9/756-762; D14/495; D20/11; D28/99;  
99/324, 422, 425-426, 432, DIG. 15;  
219/450.1, 620-622, 725; 220/500,  
220/506-507, 573.1-573.5, 574-575,  
220/607-608, 752-753, 912; 229/903-904,  
229/906; 249/121; 426/511

See application file for complete search history.

4,662,273	A	5/1987	Marchioni	
D303,866	S *	10/1989	Lucas et al.	D1/109
D305,335	S *	1/1990	Wood et al.	D20/11
D367,730	S *	3/1996	Chiavetta	D28/99
5,685,217	A	11/1997	Kreitzer	
5,800,853	A *	9/1998	Wang	426/511
D424,863	S *	5/2000	Varakian	D7/354
6,431,059	B1	8/2002	Castellani	
6,463,844	B1	10/2002	Wang et al.	
6,619,193	B2	9/2003	Hinton et al.	
D569,268	S *	5/2008	Markowicz et al.	D9/715
D579,264	S *	10/2008	Simon et al.	D7/357
D596,447	S *	7/2009	Cubillos	D7/357
D650,966	S *	12/2011	Maher	D1/107
D660,317	S *	5/2012	Jesberger	D14/495
D661,541	S *	6/2012	Braden	D7/359
D673,003	S *	12/2012	Lion et al.	D7/359
2002/0166459	A1	11/2002	Hinton et al.	
2005/0151049	A1 *	7/2005	Lion et al.	249/121

\* cited by examiner

*Primary Examiner* — Ricky Pham

(74) *Attorney, Agent, or Firm* — KB Patents; Luca D'Ottone

(57)

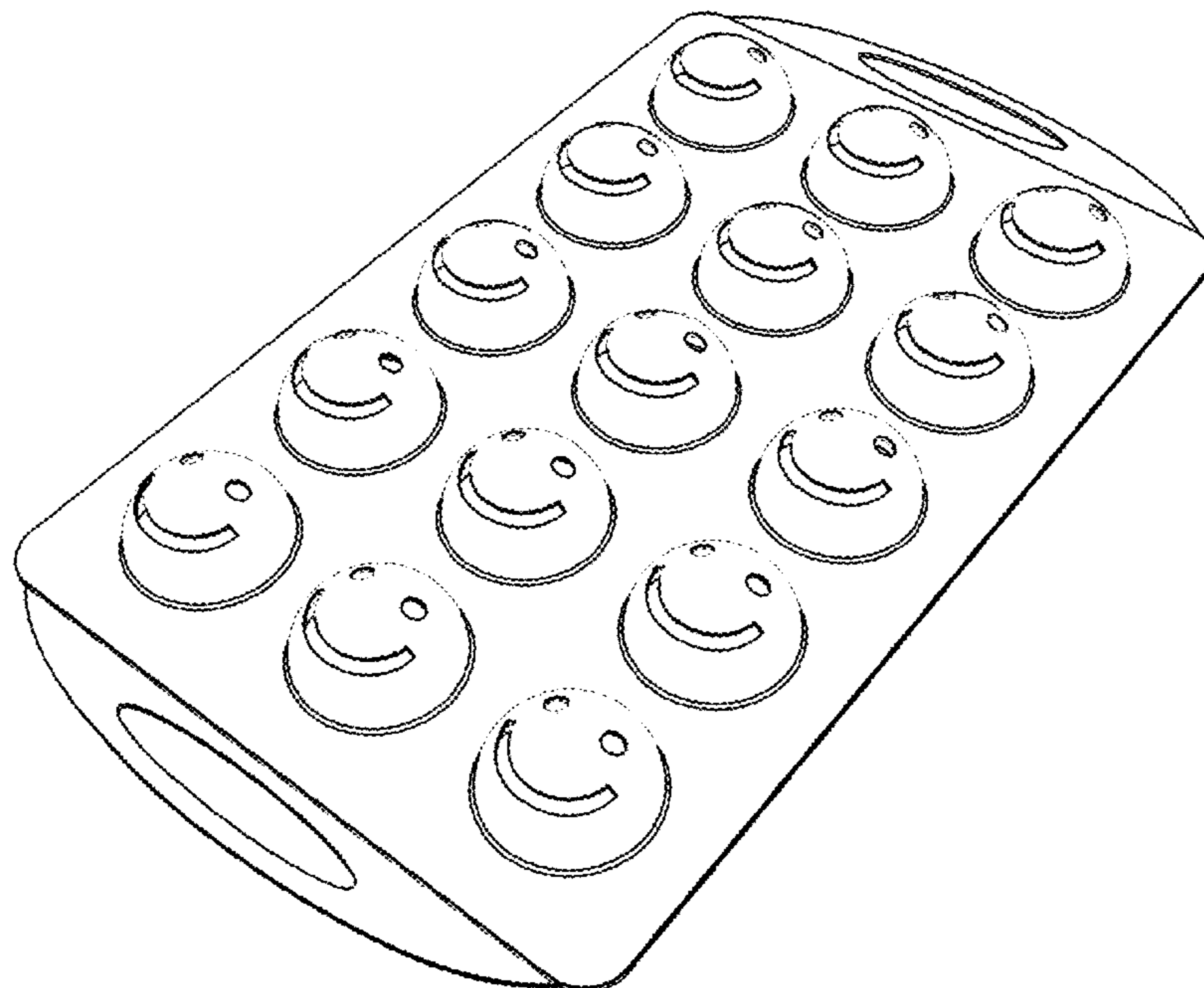
**CLAIM**

The ornamental design for a meatball baking pan, as shown and described.

**DESCRIPTION**

FIG. 1 is a bottom perspective view of the meatball baking pan, showing my new design;  
FIG. 2 is an exploded side perspective view thereof; and,  
FIG. 3 is a top perspective view thereof.

**1 Claim, 3 Drawing Sheets**



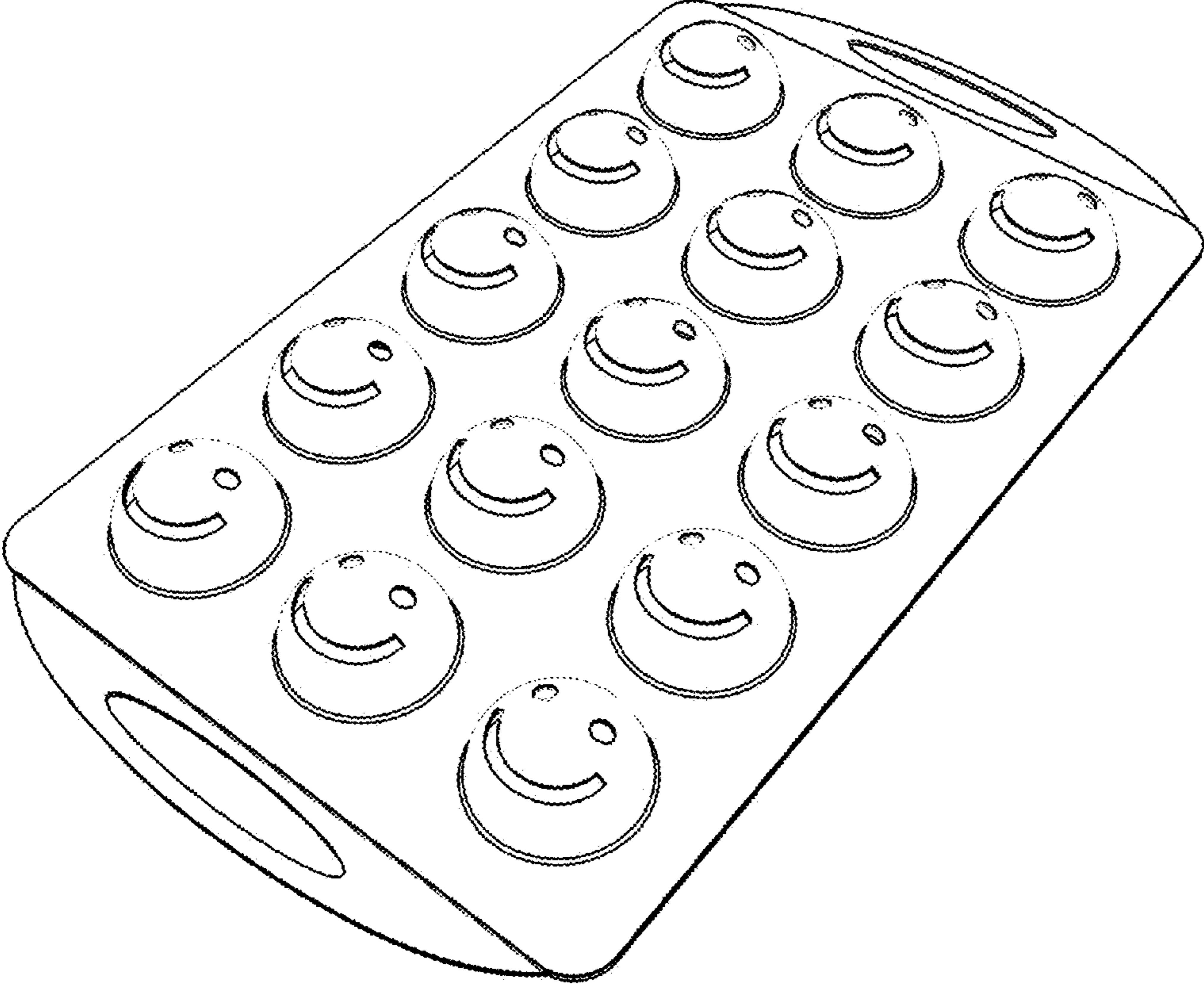


FIG. 1

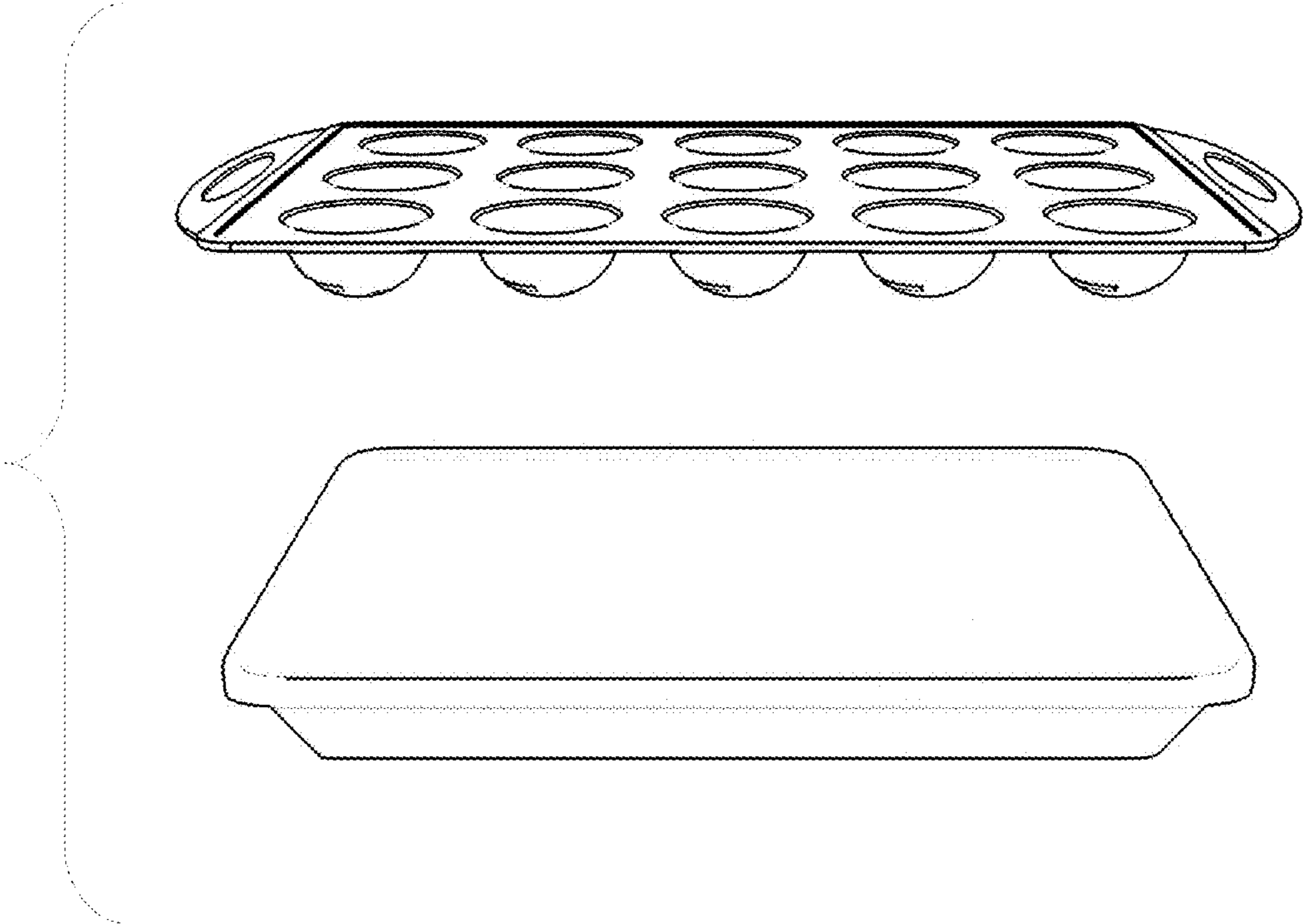


FIG. 2

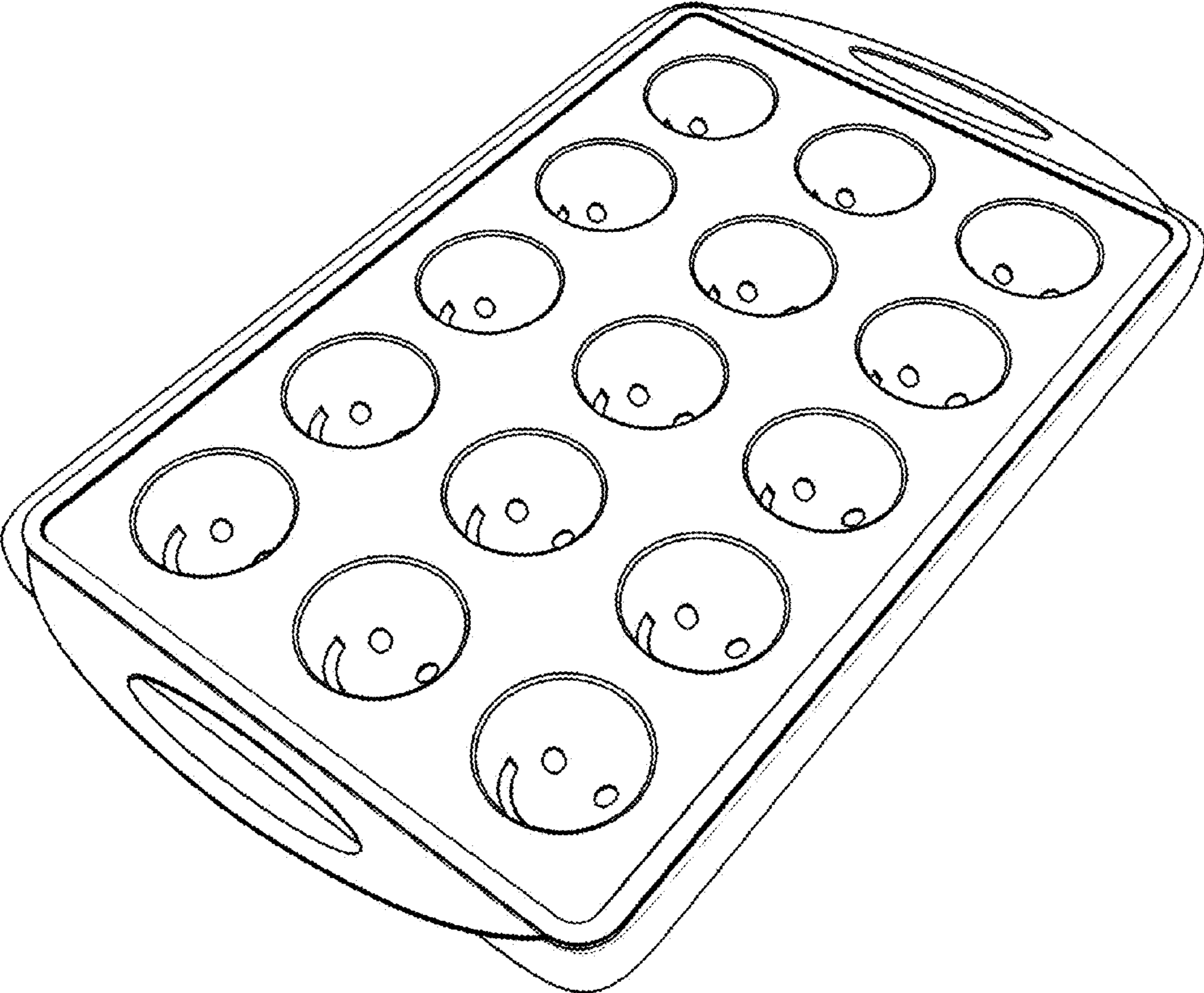


FIG. 3