



US00D711679S

(12) **United States Design Patent**
Day et al.

(10) **Patent No.:** **US D711,679 S**
(45) **Date of Patent:** **** Aug. 26, 2014**

(54) **PORTABLE FOOD VESSEL**

(56) **References Cited**

(71) Applicant: **Sunbeam Products, Inc.**, Boca Raton, FL (US)

U.S. PATENT DOCUMENTS

(72) Inventors: **Adam Day**, Boynton Beach, FL (US);
Larry Randall, Coral Springs, FL (US);
Andrew Logan, Newbury Park, CA (US)

| | | | | | | |
|-----------|----|---|---------|-----------------|-------|---------|
| D141,818 | S | * | 7/1945 | Kendall | | D7/358 |
| 3,801,331 | A | * | 4/1974 | Sano et al. | | 99/403 |
| D323,954 | S | * | 2/1992 | Barrault | | D7/354 |
| D345,485 | S | * | 3/1994 | Leung | | D7/360 |
| D369,270 | S | * | 4/1996 | Payen | | D7/354 |
| D369,505 | S | * | 5/1996 | Philippe | | D7/354 |
| D418,360 | S | * | 1/2000 | Kei | | D7/354 |
| D427,841 | S | * | 7/2000 | De'Longhi | | D7/354 |
| D486,351 | S | * | 2/2004 | Lu et al. | | D7/354 |
| D549,517 | S | * | 8/2007 | Moran | | D7/358 |
| D594,694 | S | * | 6/2009 | Pino et al. | | D7/354 |
| 8,230,779 | B2 | * | 7/2012 | Yang | | 99/403 |
| 8,584,894 | B1 | * | 11/2013 | Mulvaney et al. | | 220/756 |

(73) Assignee: **Sunbeam Products, Inc.**, Boca Raton, FL (US)

(**) Term: **14 Years**

* cited by examiner

(21) Appl. No.: **29/462,393**

Primary Examiner — Ricky Pham

(22) Filed: **Aug. 2, 2013**

(74) *Attorney, Agent, or Firm* — Michael J. Corrigan

(51) **LOC (10) Cl.** **07-02**

(57) **CLAIM**

(52) **U.S. Cl.**

The ornamental design for the portable food vessel, as shown and described.

USPC **D7/354**

(58) **Field of Classification Search**

DESCRIPTION

CPC A47J 27/00; A47J 27/04; A47J 27/05;
A47J 27/08; A47J 27/09; A47J 27/092;
A47J 36/025; A47J 36/06; A47J 36/08;
A47J 36/10; A47J 36/12; A47J 37/12; A47J
37/1204; A47J 37/1209; B65D 45/04; H05B
6/02; H05B 6/06; H05B 6/12

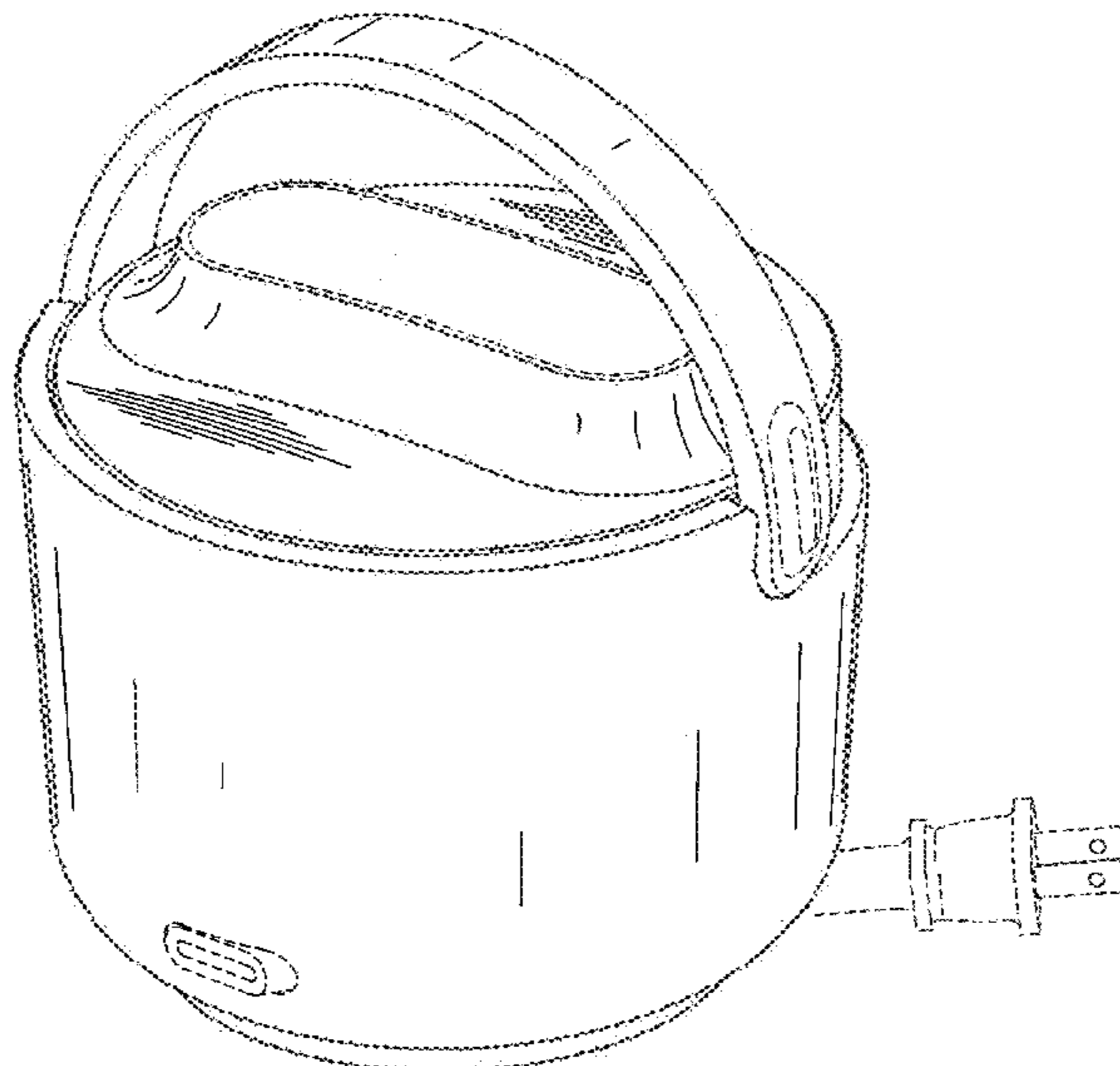
USPC D7/323, 354-361; 99/324-325,
99/330-339, 403; 126/348, 384.1, 389.1,
126/390.1; 219/401, 438, 440-441, 447.1,
219/620-622; 220/573.1-573.5, 756, 912

See application file for complete search history.

FIG. 1 is a front perspective view of the portable food vessel;
FIG. 2 is a front view thereof;
FIG. 3 is a right side view thereof;
FIG. 4 is rear view thereof;
FIG. 5 is a left side view thereof;
FIG. 6 is a top view thereof; and,
FIG. 7 is a bottom view thereof.

The portion shown in dashed lines is shown for illustrative purposes only and forms no part of the claimed design.

1 Claim, 7 Drawing Sheets



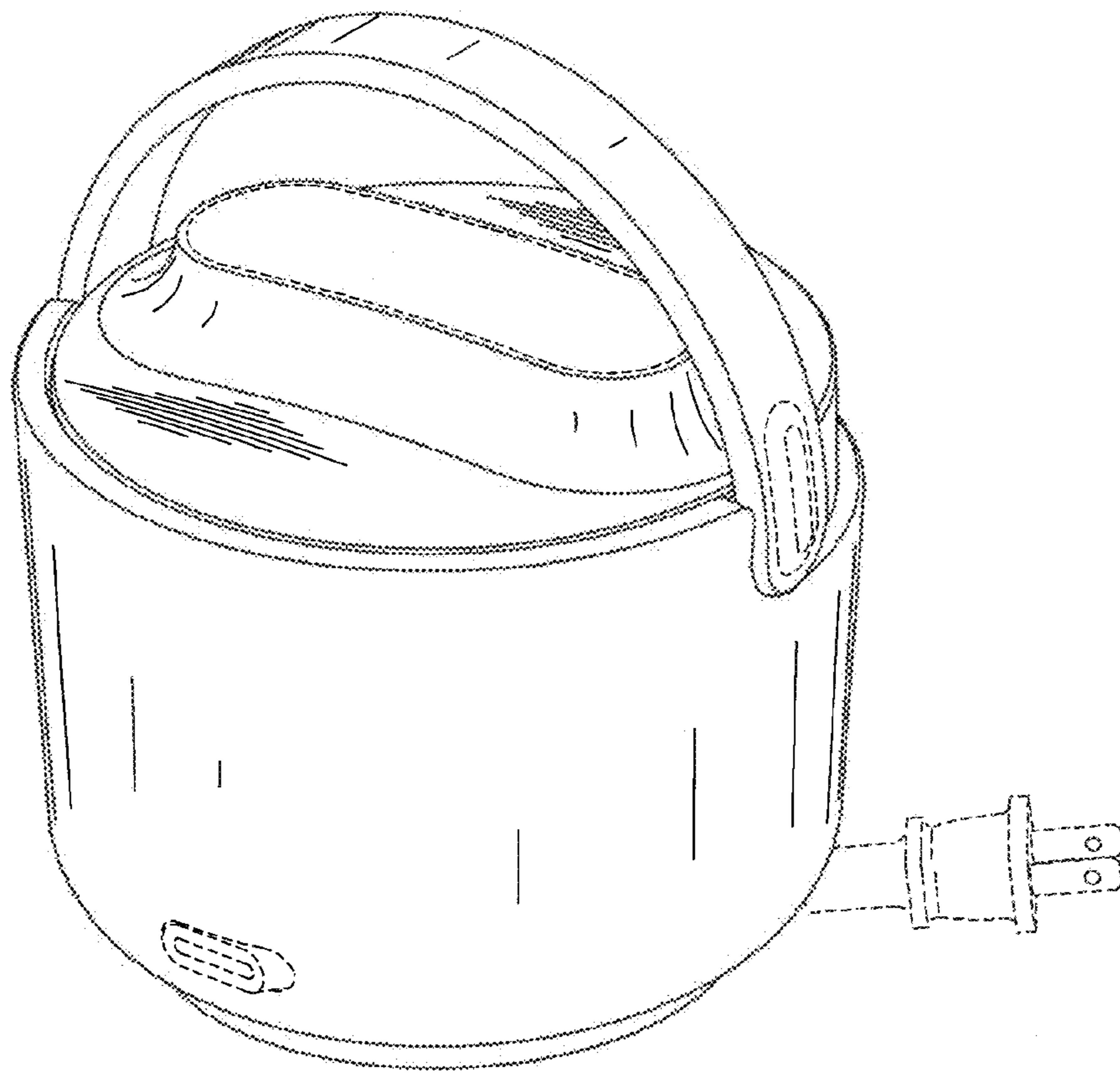


FIG 1

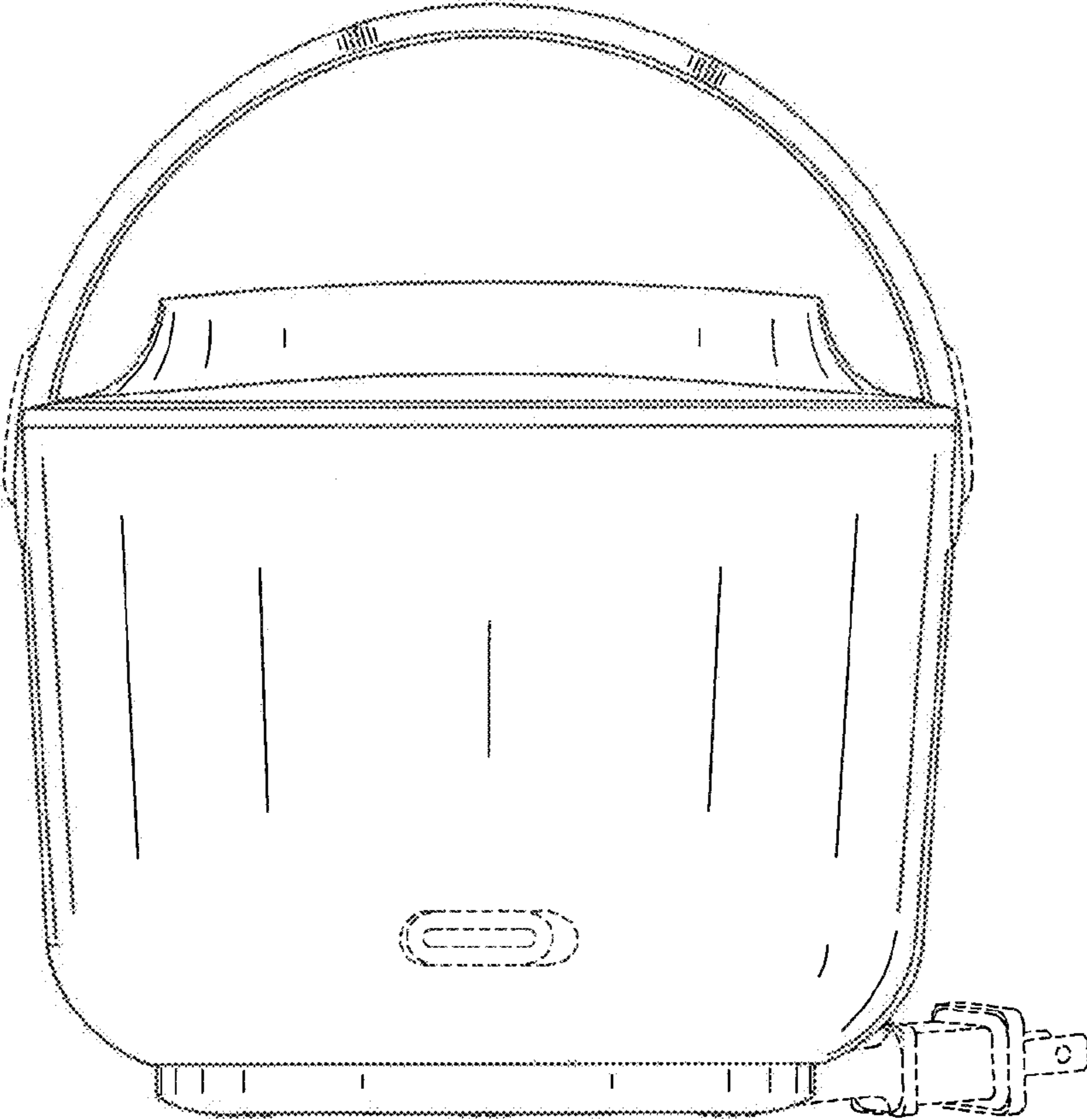


FIG 2

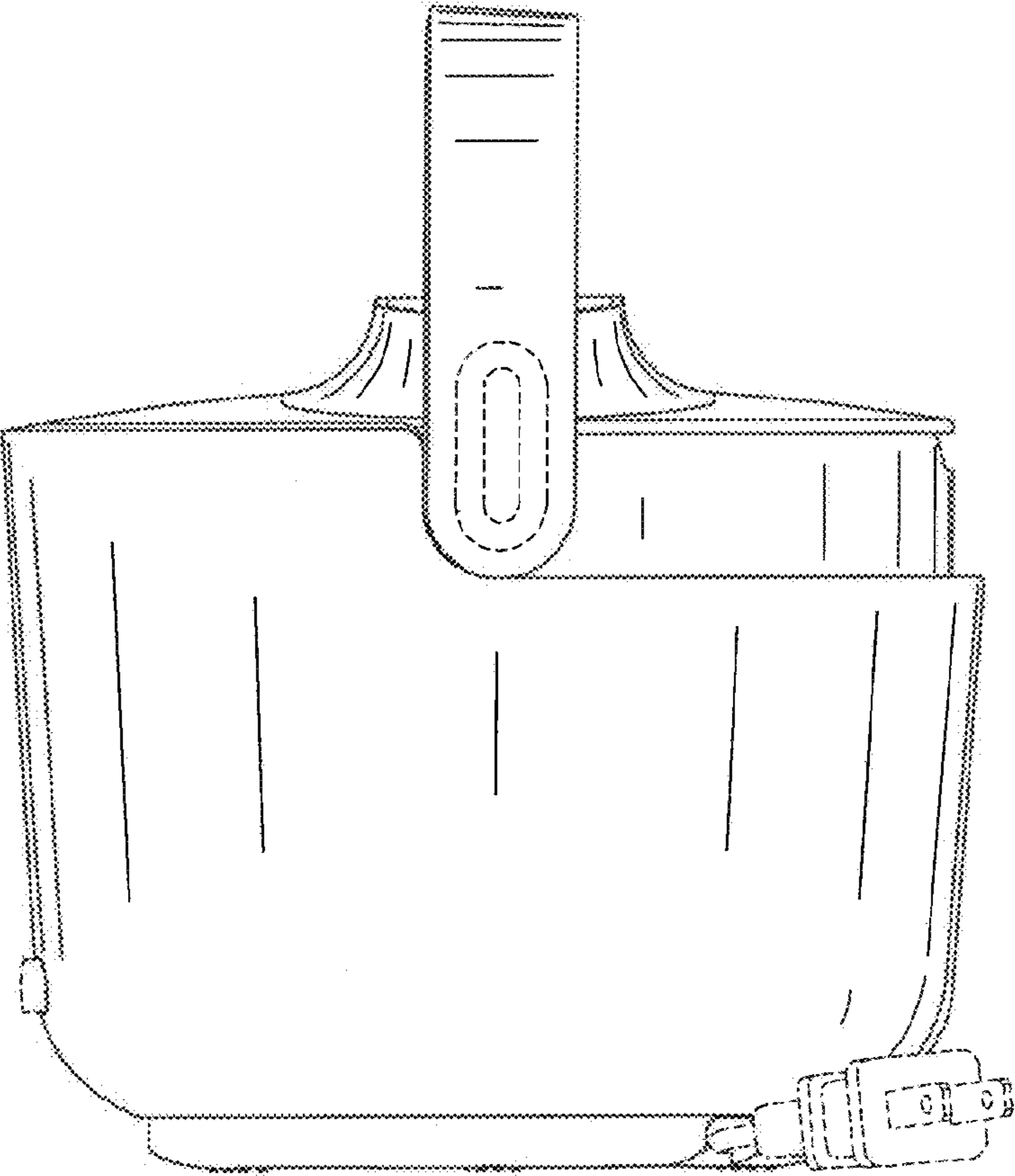


FIG 3

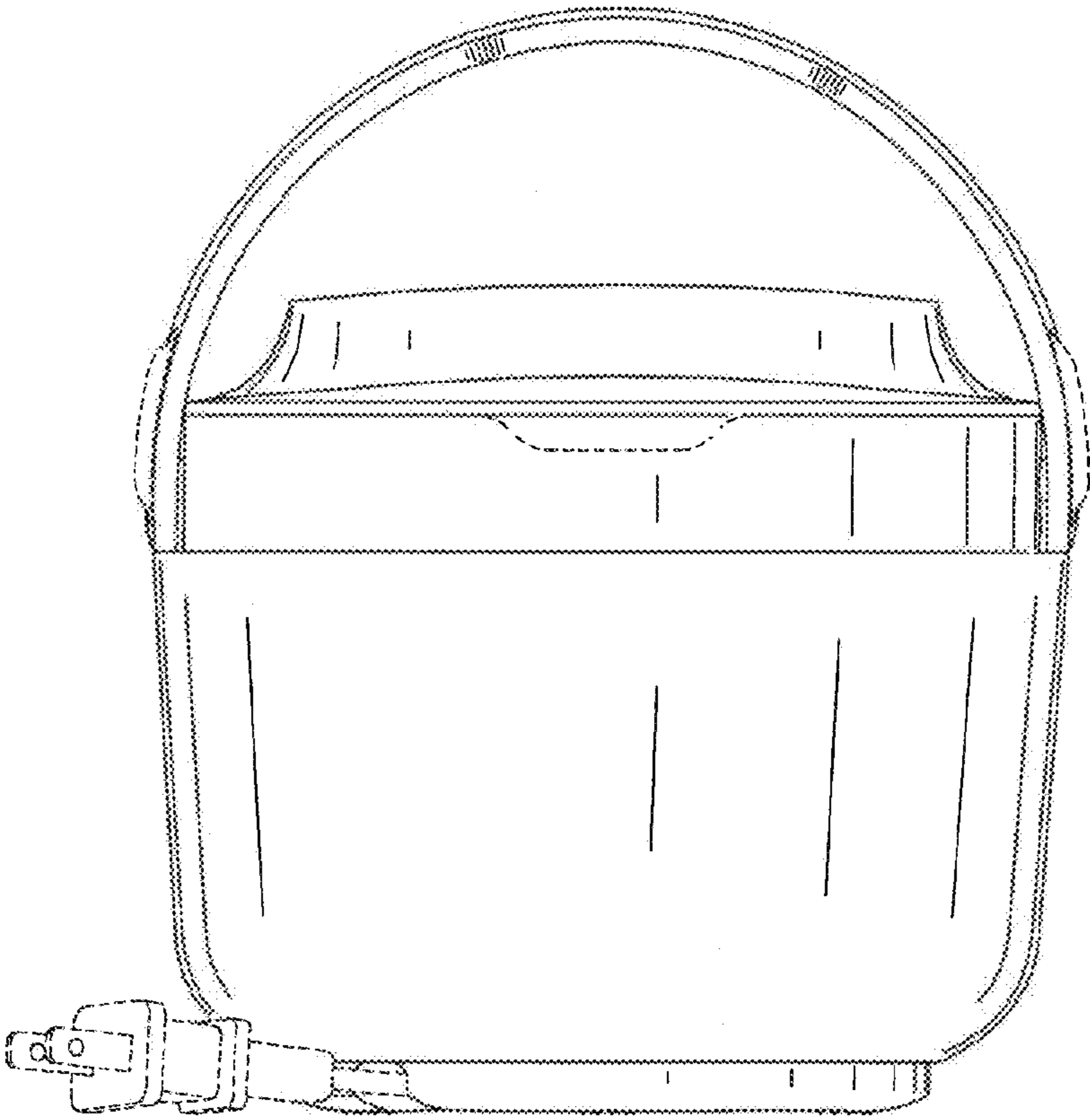


FIG 4

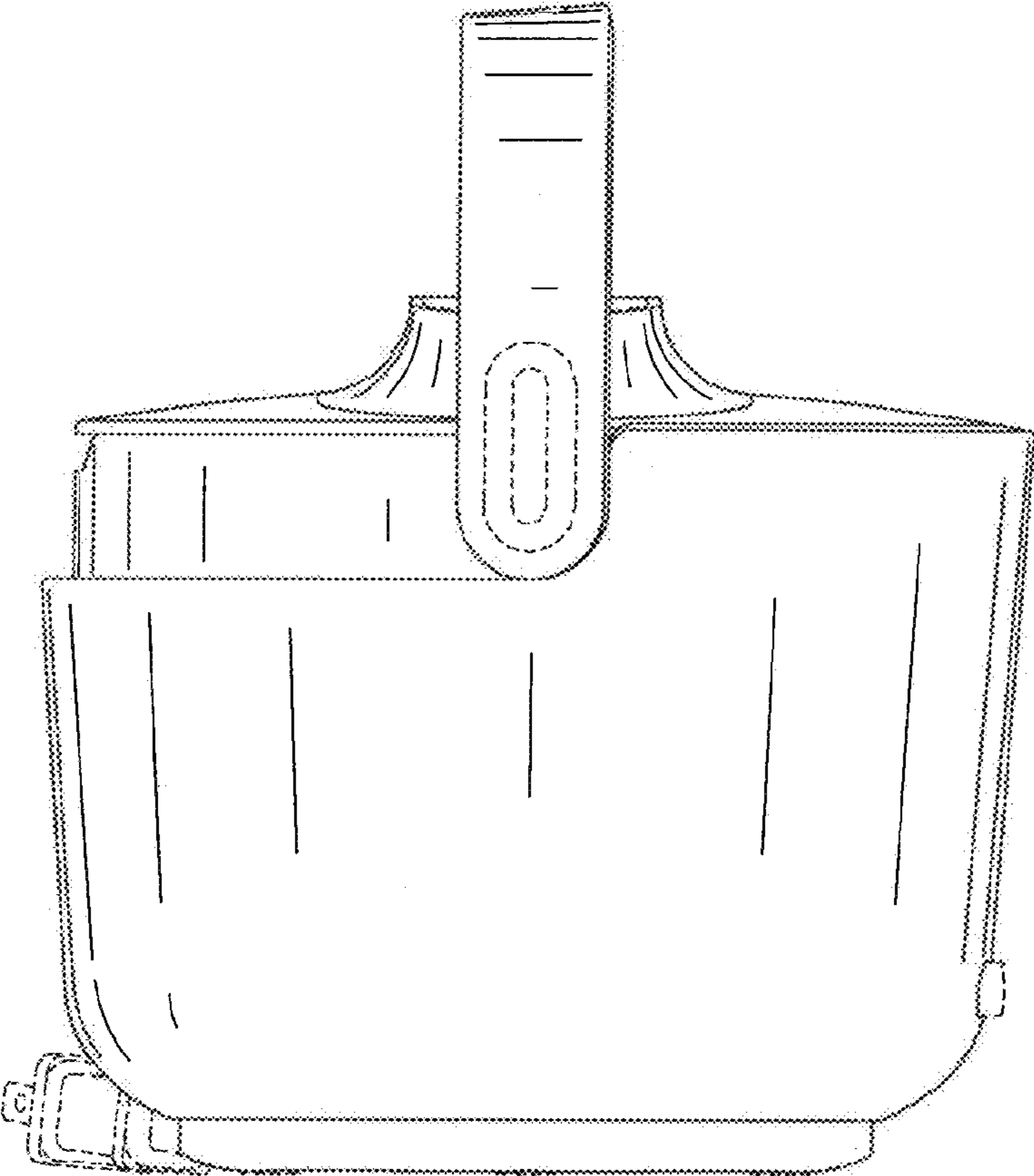


FIG 5

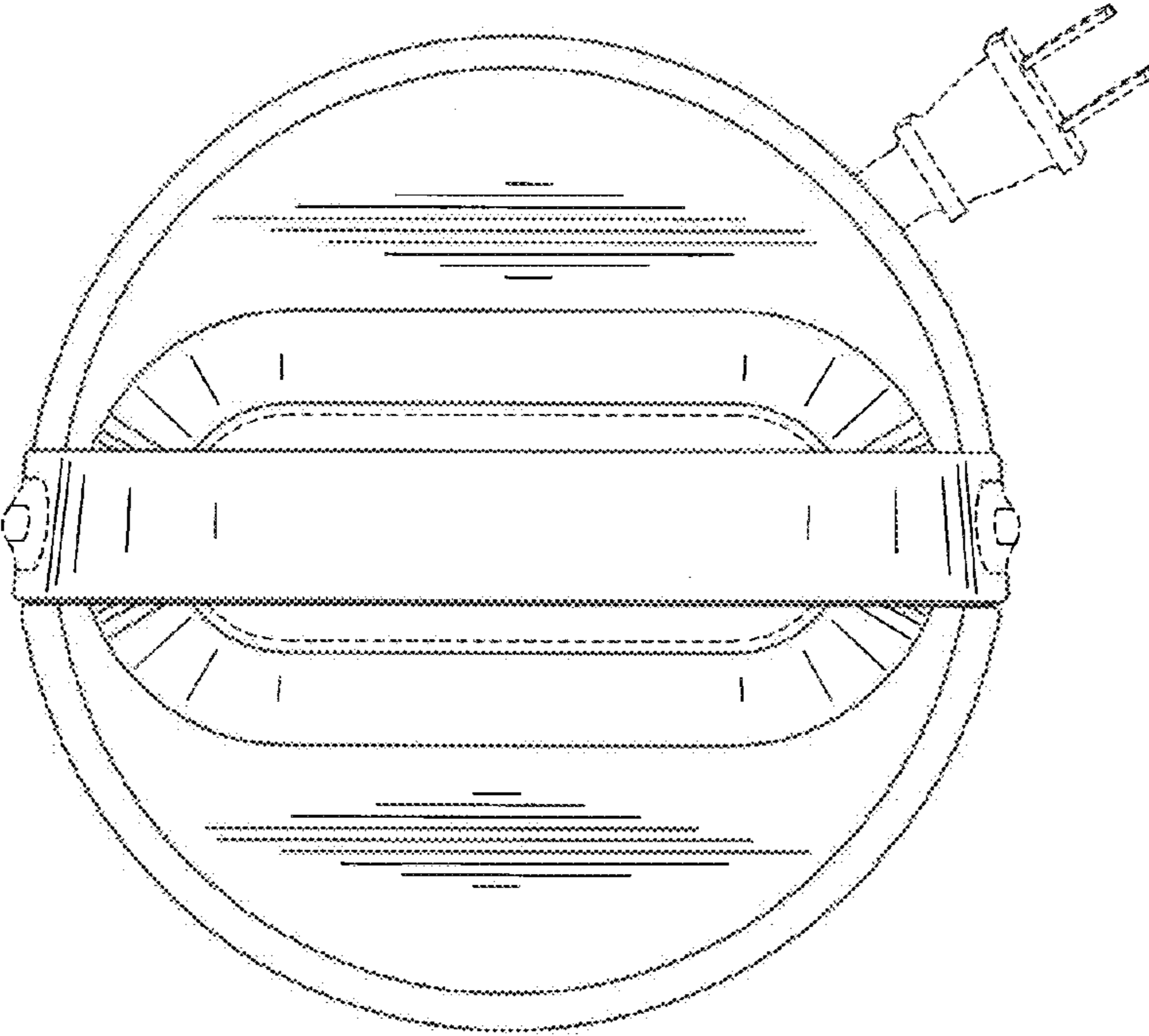


FIG 6

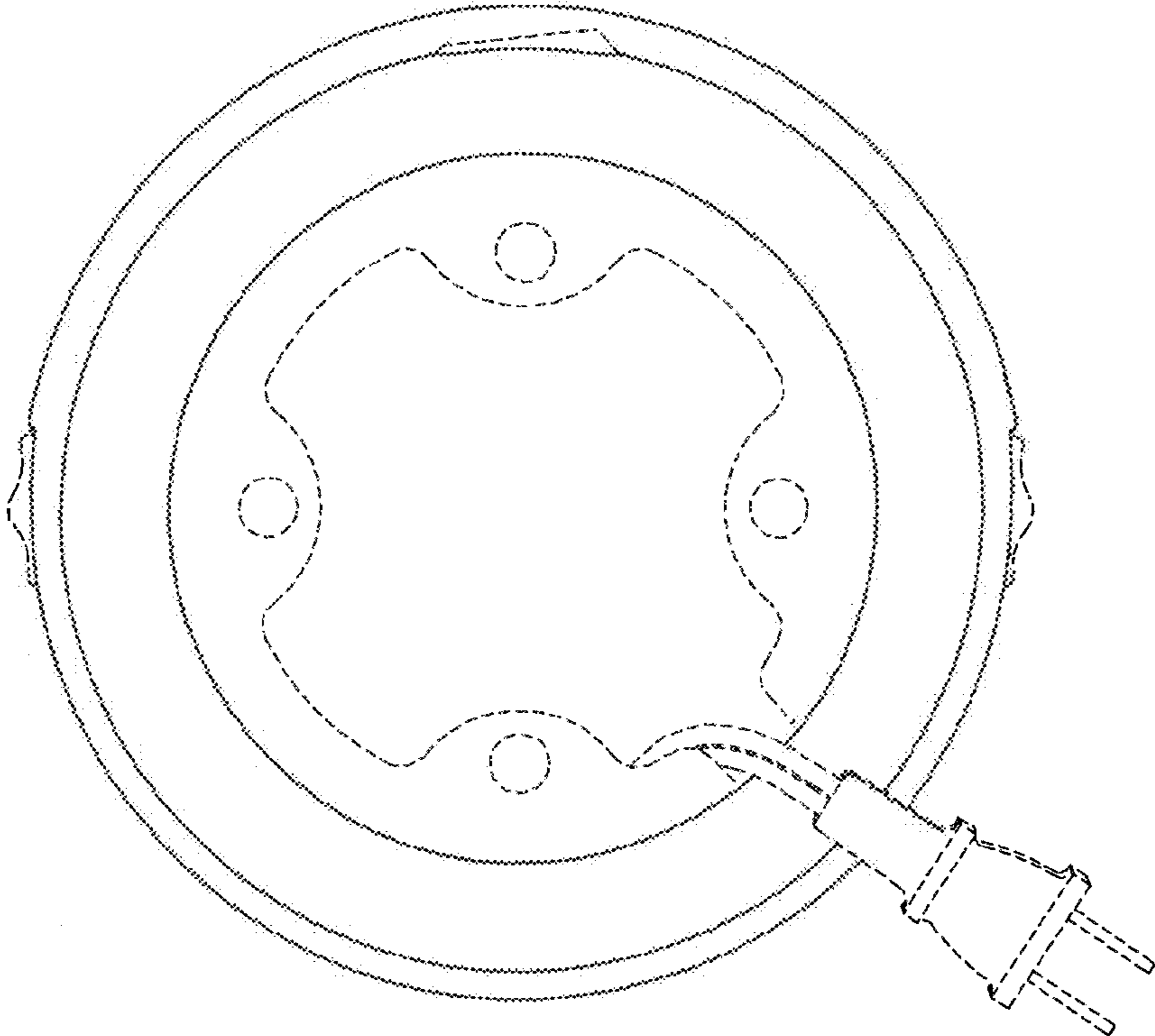


FIG 7