



US00D711675S

(12) **United States Design Patent**
Sato

(10) **Patent No.:** **US D711,675 S**
(45) **Date of Patent:** **** Aug. 26, 2014**

(54) **SEAT**
(71) Applicant: **Emeco Industries, Inc.**, Hanover, PA (US)
(72) Inventor: **Oki Sato**, Tokyo (JP)
(73) Assignee: **Emeco Industries, Inc.**, Hanover, PA (US)
(**) Term: **14 Years**
(21) Appl. No.: **29/479,694**
(22) Filed: **Jan. 17, 2014**
(51) **LOC (10) Cl.** **06-01**
(52) **U.S. Cl.**
USPC **D6/716.1; D6/349**
(58) **Field of Classification Search**
CPC A47C 1/14; A47C 3/16-3/20; A47C 4/00;
A47C 4/28; A47C 5/02; A47C 7/02; A47C
9/00; A47C 9/02; A47C 9/002; A47C 9/007;
A47C 9/025; A47C 11/00; A47C 12/00;
A47C 13/00; A47C 16/02
USPC D6/335, 340, 344, 347, 349-355, 358,
D6/360, 363-373, 381, 685, 687, 688, 690,
D6/691-691.6, 692, 692.4, 694, 703.15,
D6/708.21, 708.22, 709.22, 716-716.7,
D6/717
See application file for complete search history.

(56) **References Cited**

U.S. PATENT DOCUMENTS

D123,573 S * 11/1940 Rideout D6/502
D226,589 S * 3/1973 Svehla et al. D6/356

(Continued)

OTHER PUBLICATIONS

Nendo reimagines the Navy Chair to create new stool for Emeco. [online] Published Apr. 10, 2014. Retrieved from URL: <<http://www.dezeen.com/2014/04/10/nendo-reimagines-navy-chair-new-stool-emeco/>>.*

(Continued)

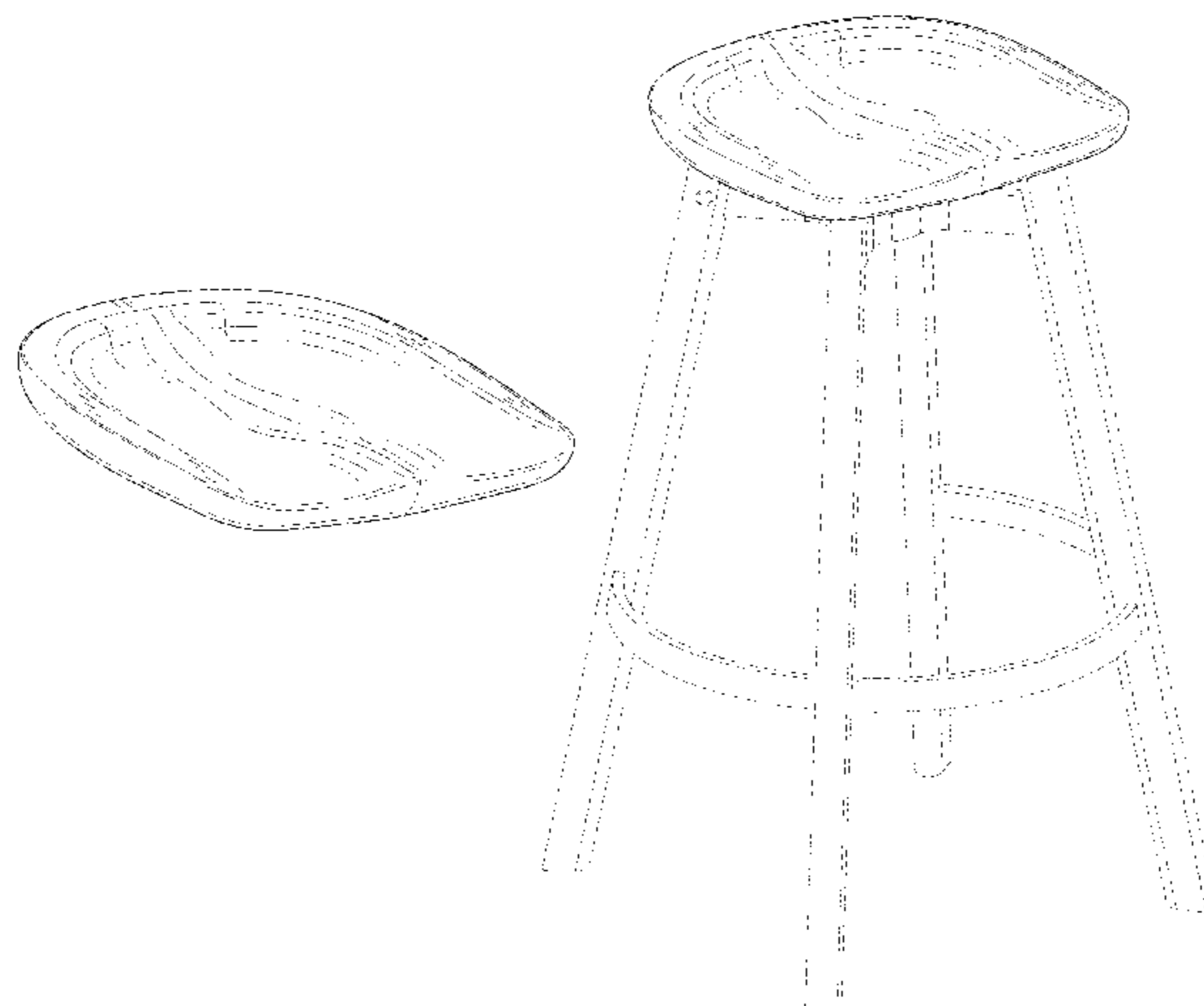
Primary Examiner — Susan Bennett Hattan
Assistant Examiner — Vy Koenig
(74) *Attorney, Agent, or Firm* — Heslin Rothenberg Farley & Mesiti P.C.

(57) **CLAIM**
The ornamental design for a seat, as shown and described.

DESCRIPTION

FIG. 1 is a perspective view of a seat in accordance with the new design;
FIG. 2 is a front elevational view thereof;
FIG. 3 is a left side elevational view thereof, a right side elevational view being a mirror image thereof;
FIG. 4 is a rear elevational view thereof;
FIG. 5 is a top view thereof;
FIG. 6 is a bottom view thereof;
FIG. 7 is a perspective view similar to FIG. 1 with the seat in position on a first stool support;
FIG. 8 is a front elevational view similar to FIG. 2 with the seat in position on the first stool support;
FIG. 9 is a left side elevational view similar to FIG. 3 with the seat in position on the first stool support, a right side elevational view being a mirror image similar to FIG. 3 with the seat in position on the first stool support;
FIG. 10 is a rear elevational view similar to FIG. 4 with the seat in position on the first stool support;
FIG. 11 is a top view similar to FIG. 5 with the seat in position on the first stool support;
FIG. 12 is a bottom view similar to FIG. 6 with the seat in position on the first stool support;
FIG. 13 is a perspective view similar to FIG. 1 with the seat in position on a second stool support;
FIG. 14 is a front elevational view similar to FIG. 2 with the seat in position on the second stool support;
FIG. 15 is a left side elevational view similar to FIG. 3 with the seat in position on the second stool support, a right side elevational view being a mirror image similar to FIG. 3 with the seat in position on the second stool support;
FIG. 16 is a rear elevational view similar to FIG. 4 with the seat in position on the second stool support; FIG. 17 is a top view similar to FIG. 5 with the seat in position on the second stool support;
FIG. 18 is a bottom view similar to FIG. 6 with the seat in position on the second stool support;
FIG. 19 is a bottom perspective view of the seat of FIGS. 1-6; and,
FIG. 20 is another bottom perspective view of the seat of FIGS. 1-6.
The broken lines in the drawings illustrate portions of the seat which form no part of the claimed invention.

1 Claim, 14 Drawing Sheets



(56)

References Cited

U.S. PATENT DOCUMENTS

D293,393 S * 12/1987 Bothun et al. D6/335
D296,047 S * 6/1988 Kucera et al. D6/333
D439,452 S * 3/2001 Turner et al. D6/502
D458,467 S 6/2002 Stark
D460,282 S 7/2002 Stark
D533,728 S * 12/2006 Martin D6/372
D556,466 S 12/2007 Foster
D559,001 S 1/2008 Stark
D647,338 S * 10/2011 Wu D6/502
D670,090 S * 11/2012 Miucci D6/349
D670,926 S * 11/2012 Ukmar D6/349
D701,410 S * 3/2014 Smith et al. D6/716.1

OTHER PUBLICATIONS

Emeco Stools, designed by Philippe Starck, available from Emeco Industries, Inc., Hanover, Pennsylvania, printout available online on Jan. 28, 2014, at <http://www.emeco.net/products/emeco-sto1-18p-emeco-sto1-18-polished-philippe-starck>, 3-pages, 2001.
Tractor Stools, designed by Craig Bassam, printout available online on Jan. 28, 2014, at http://www.dwr.com/product/tractor-stool.do?device=c&network=g&matchtype=&gclid=CMv_9fX6obwCFWxp7Aod8ycA9g, 2-pages, 2000/2001.
Danish Teak Stool, designed by Mogens Lassen, printout available online on Jan. 28, 2014, at http://www.1stdibs.com/furniture/seating/stools/mogens-lassen-danish-teak-stool/id-f_346252/, 1-page, 1950's.

* cited by examiner

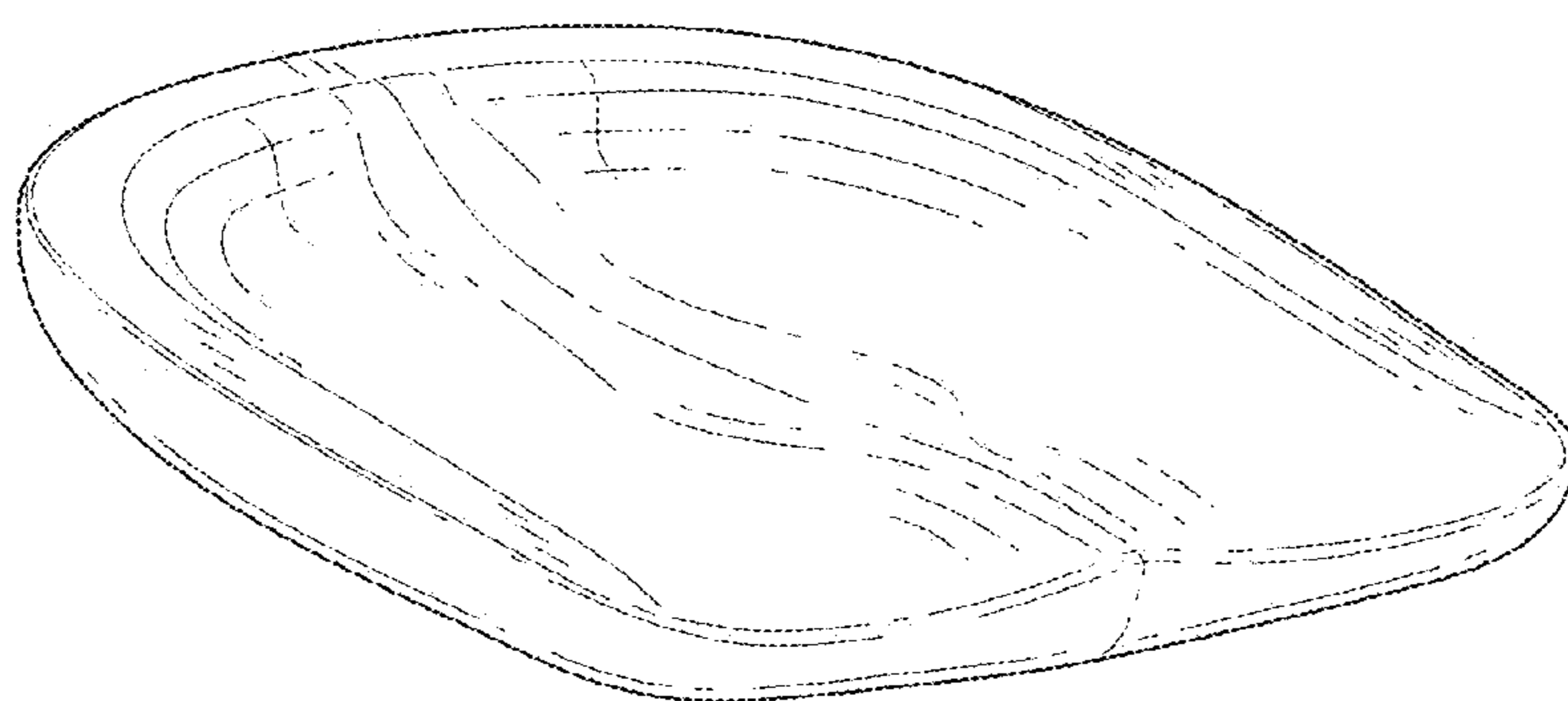


FIG. 1

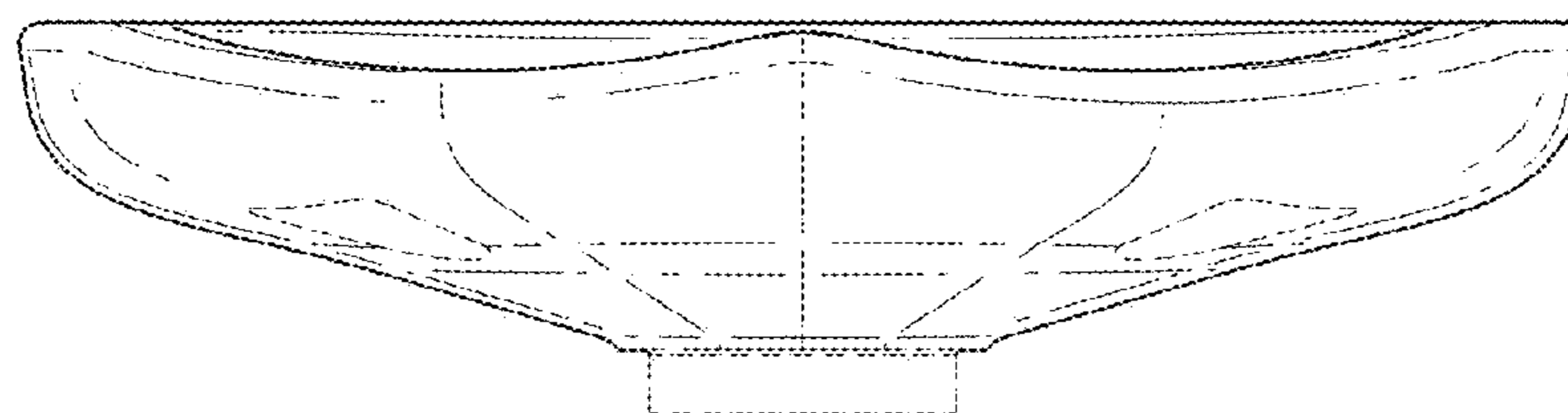


FIG. 2

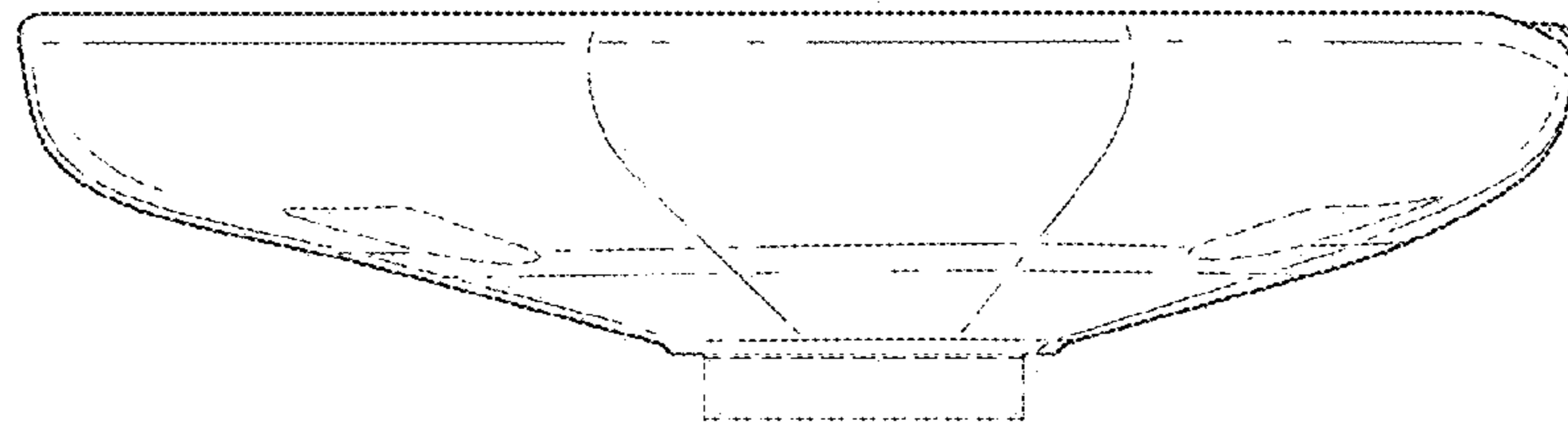


FIG. 3

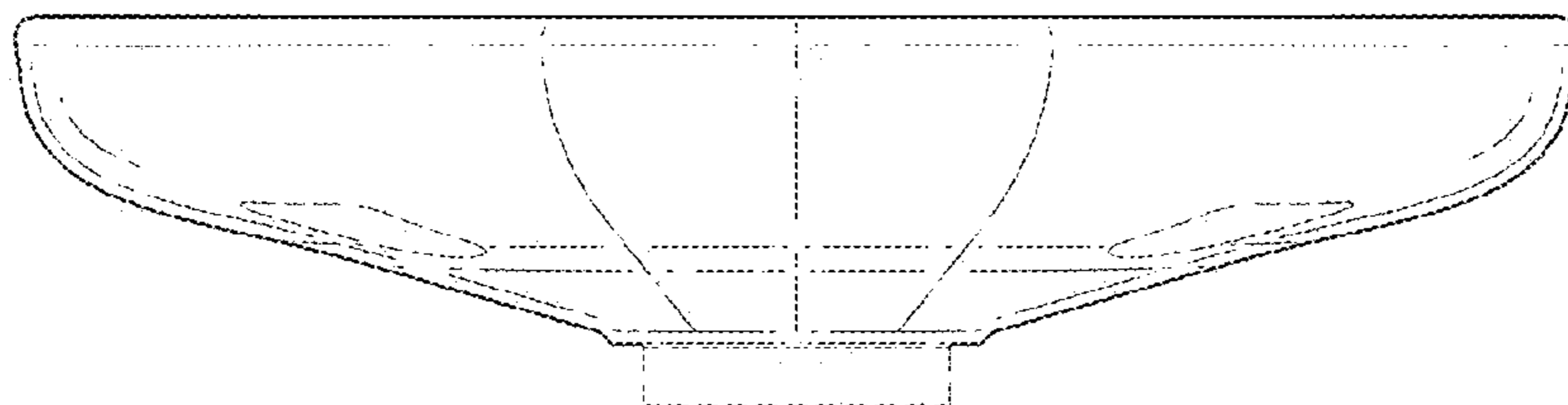


FIG. 4

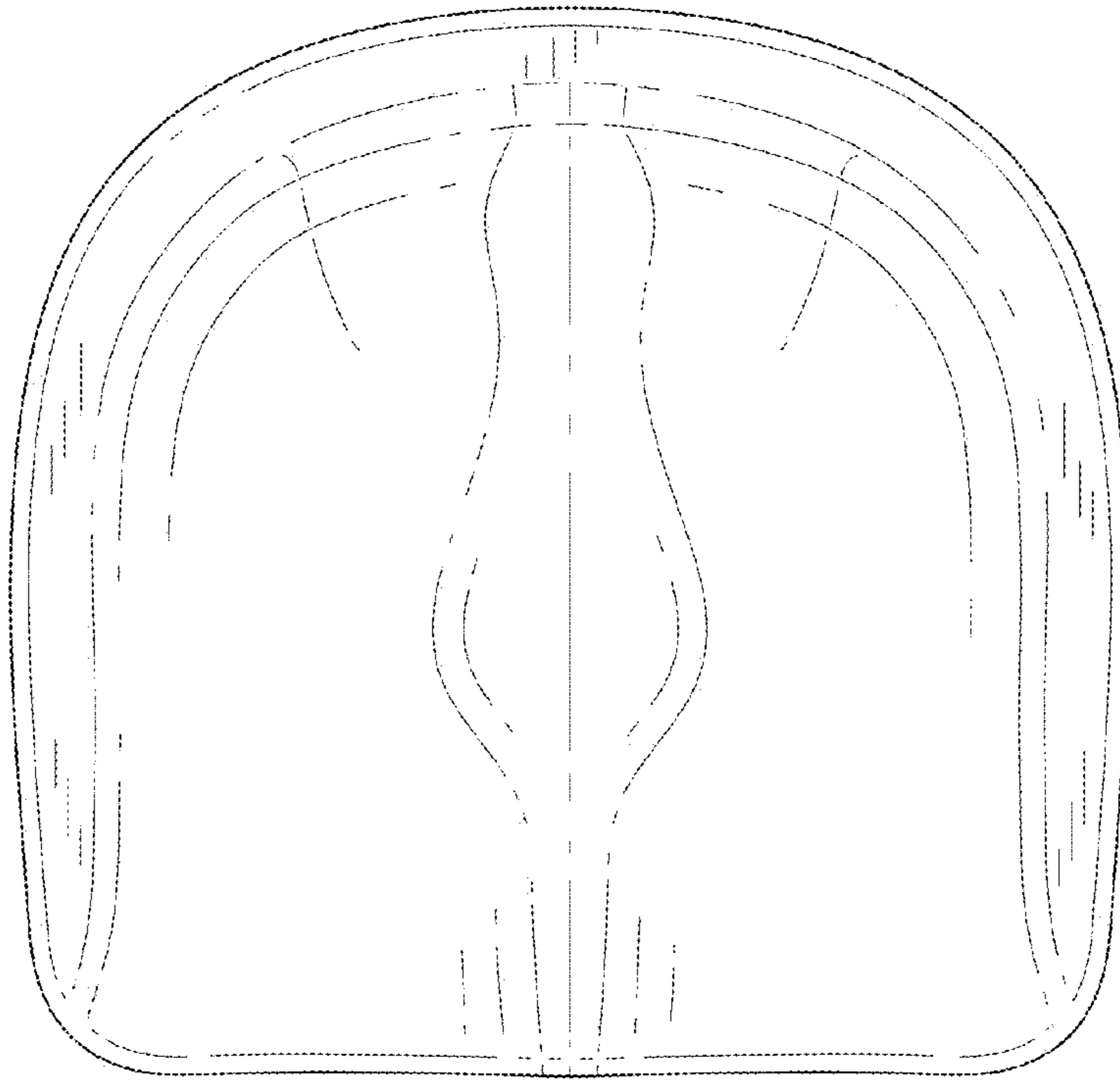


FIG. 5

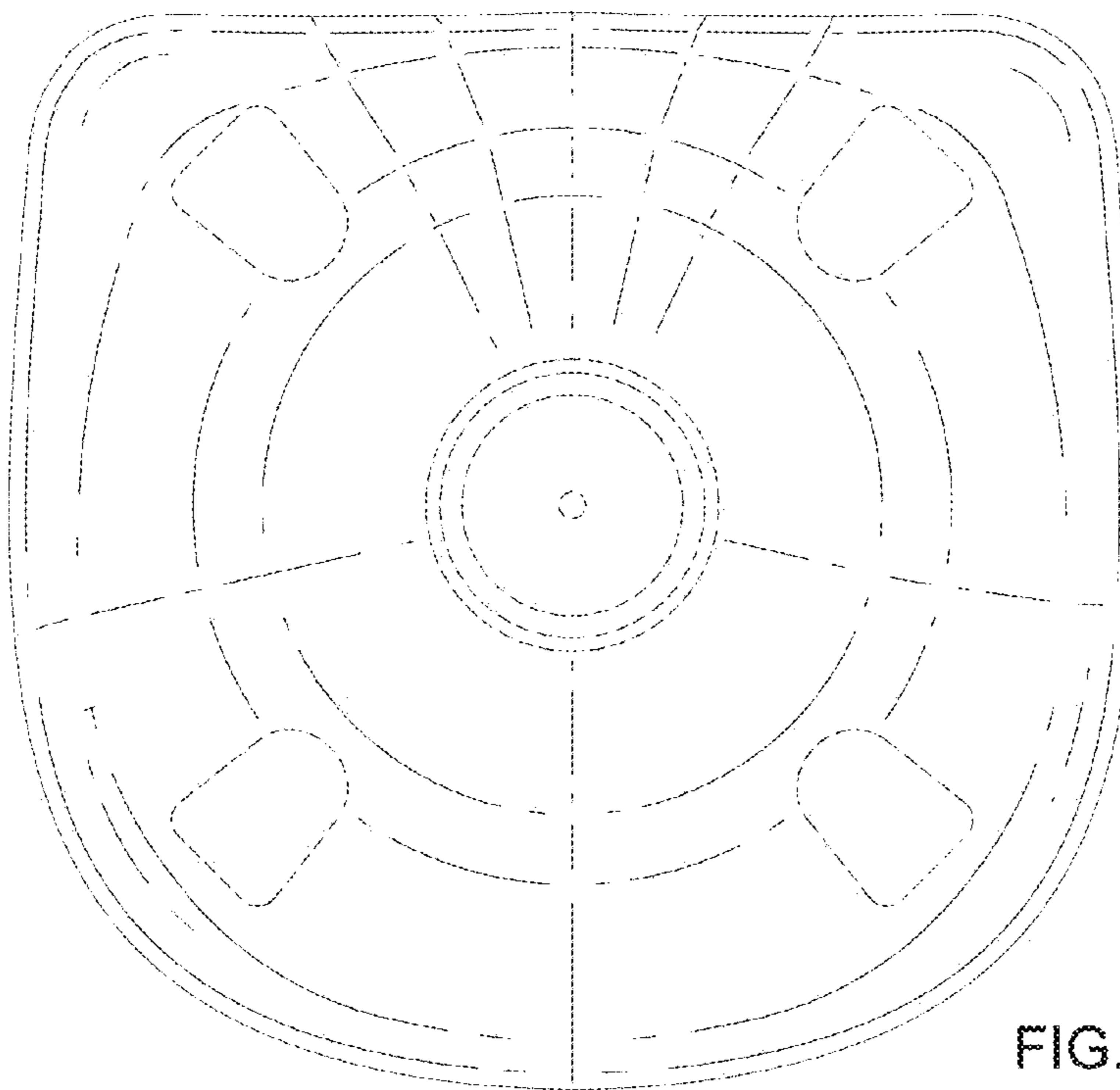


FIG. 6

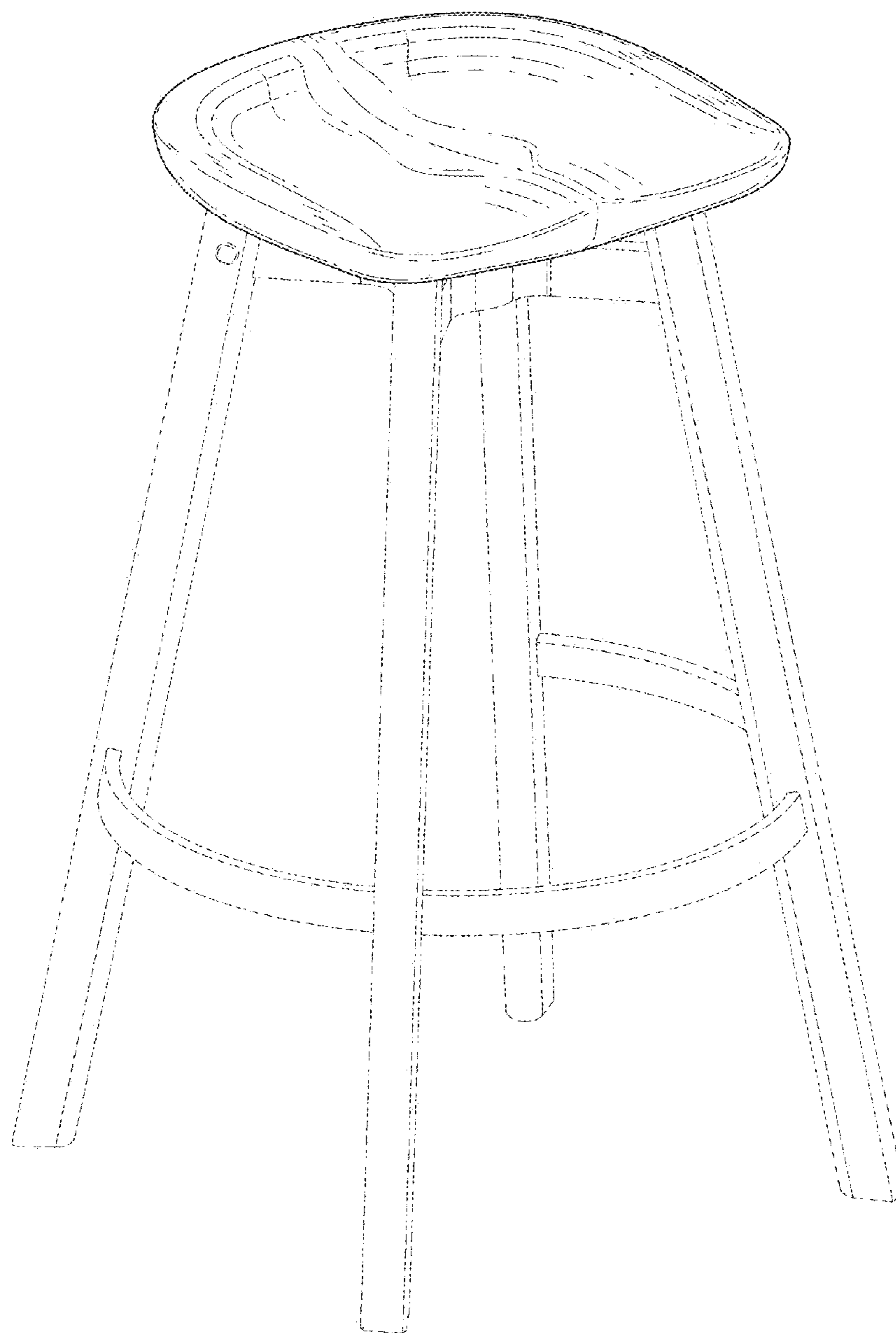


FIG. 7

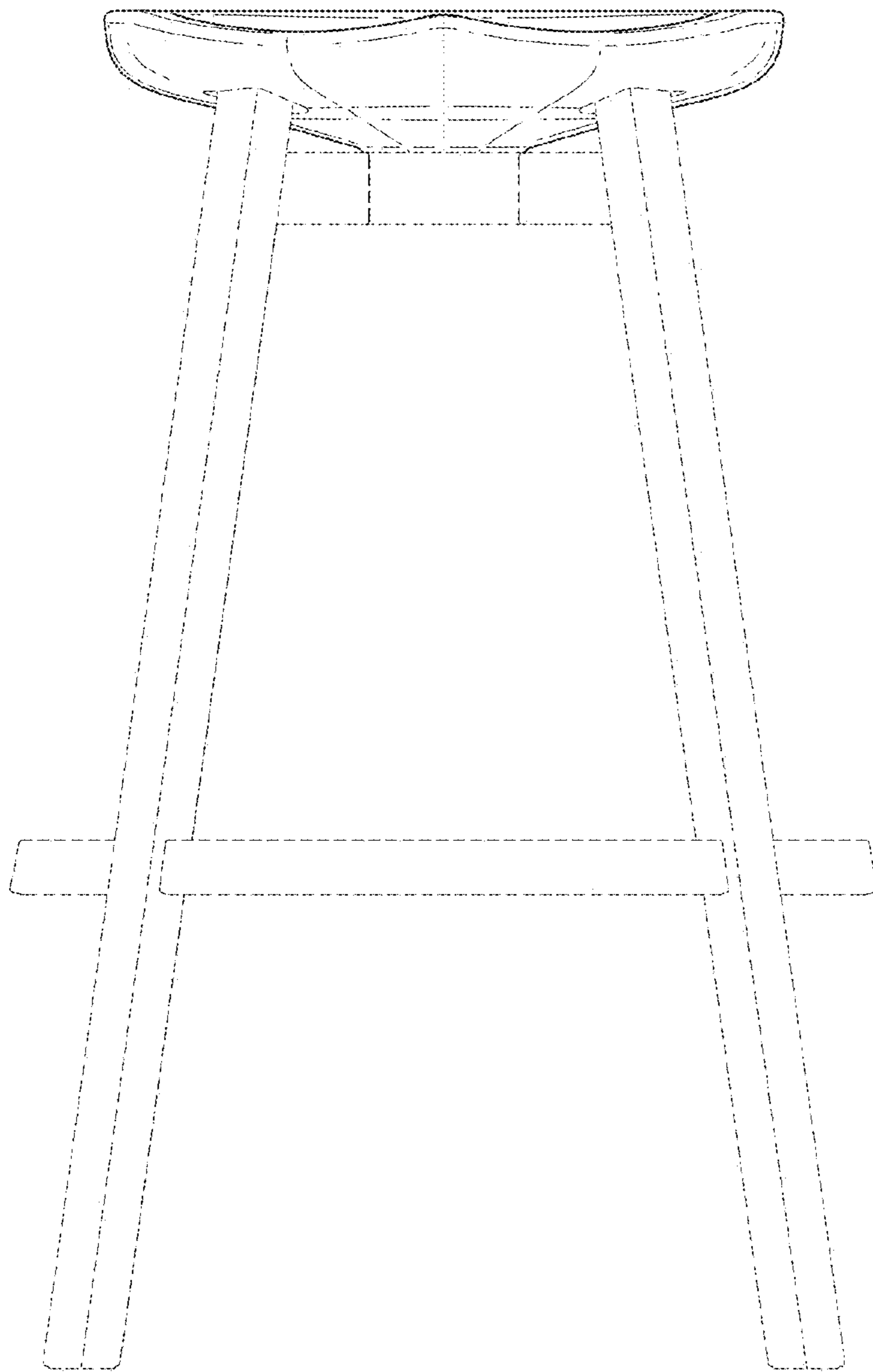


FIG. 8

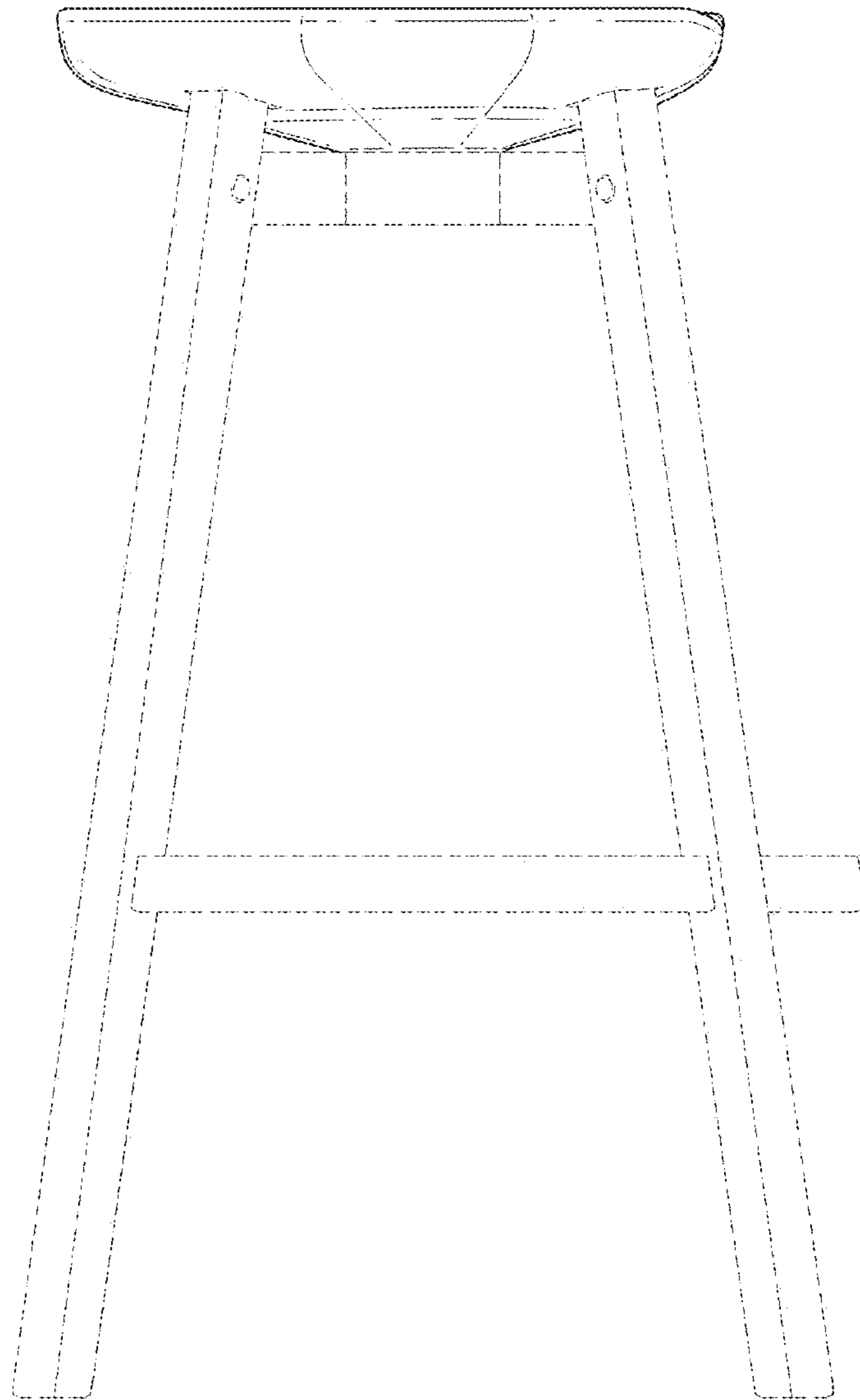


FIG. 9

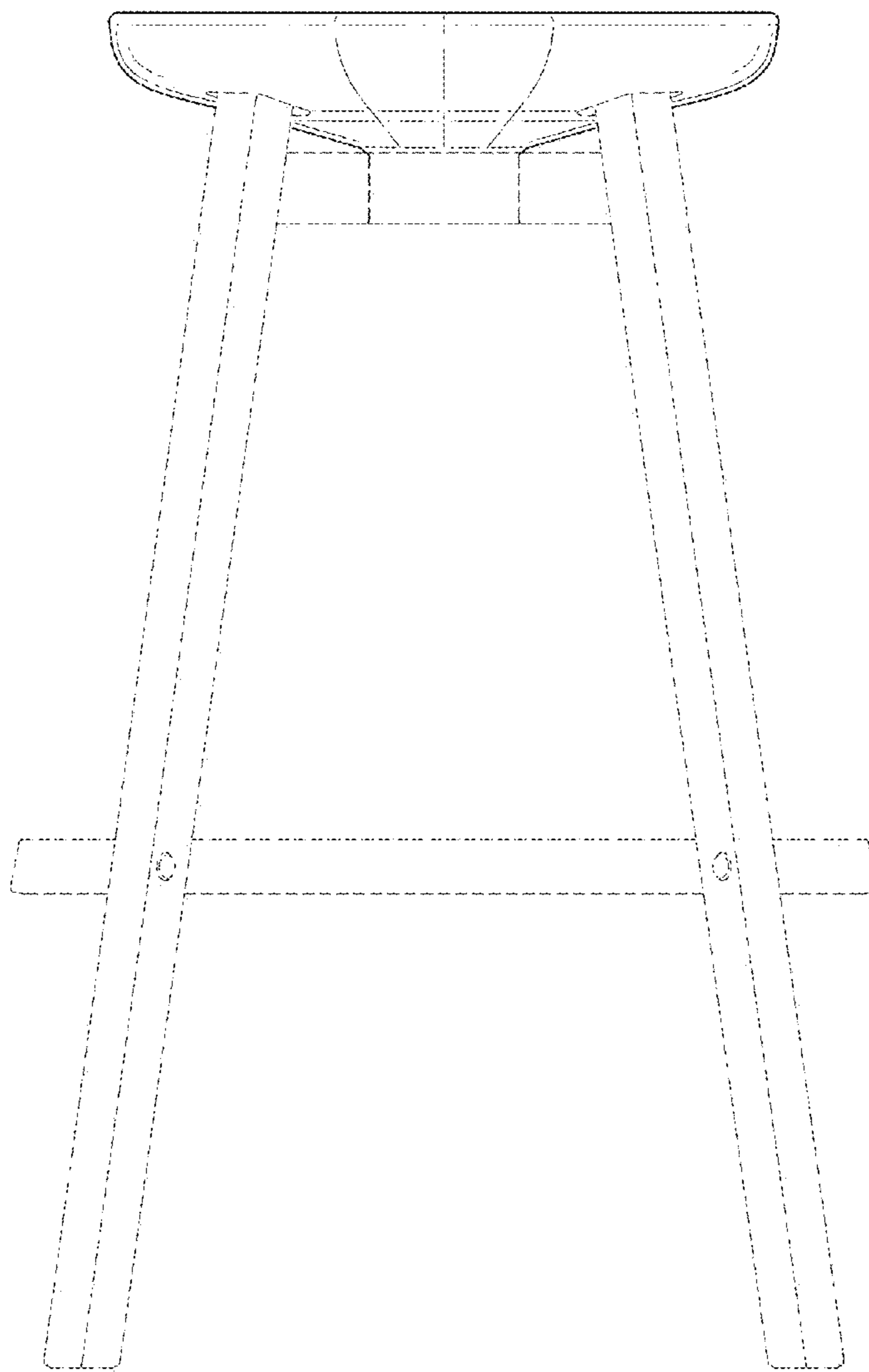


FIG. 10

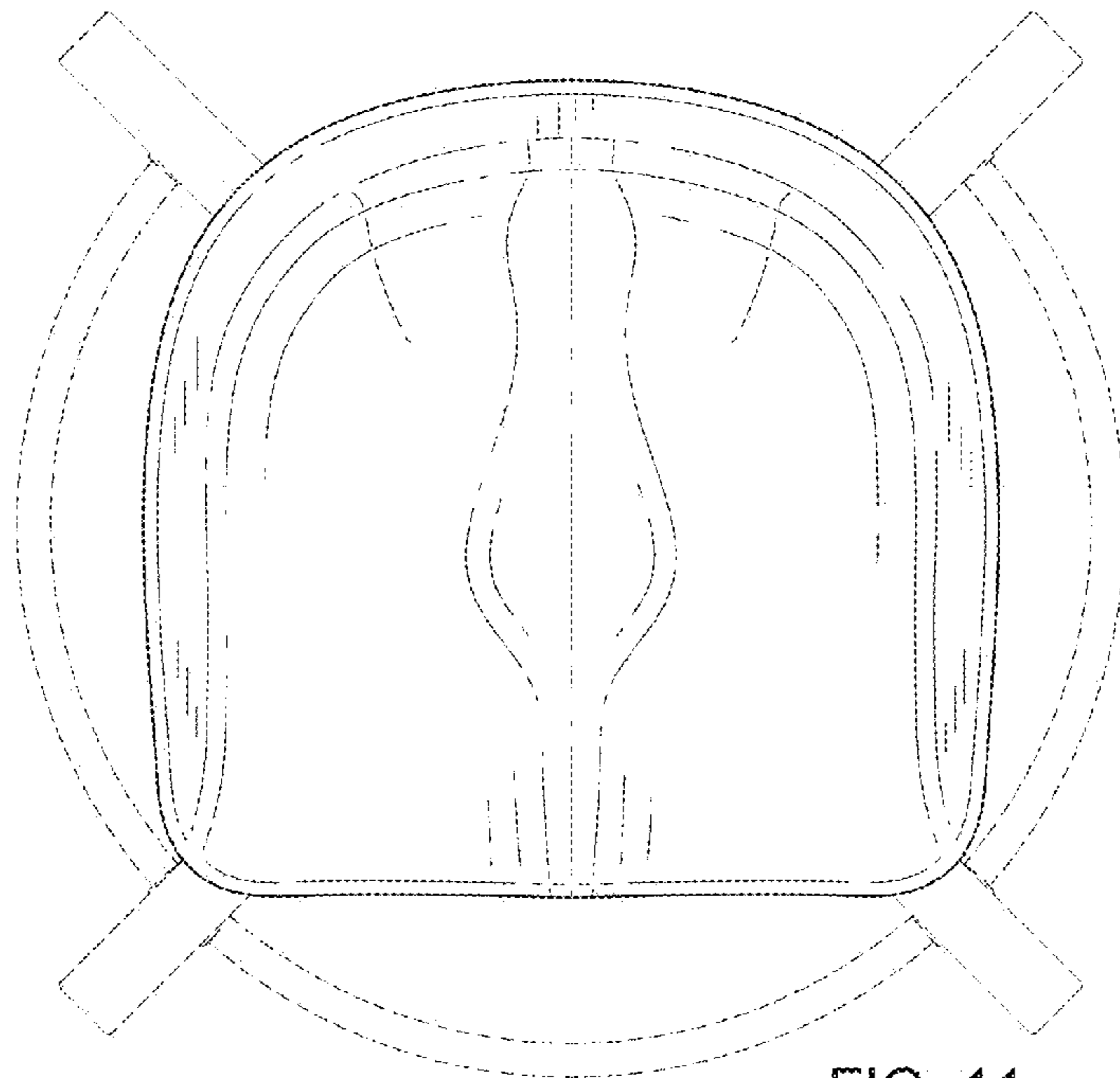


FIG. 11

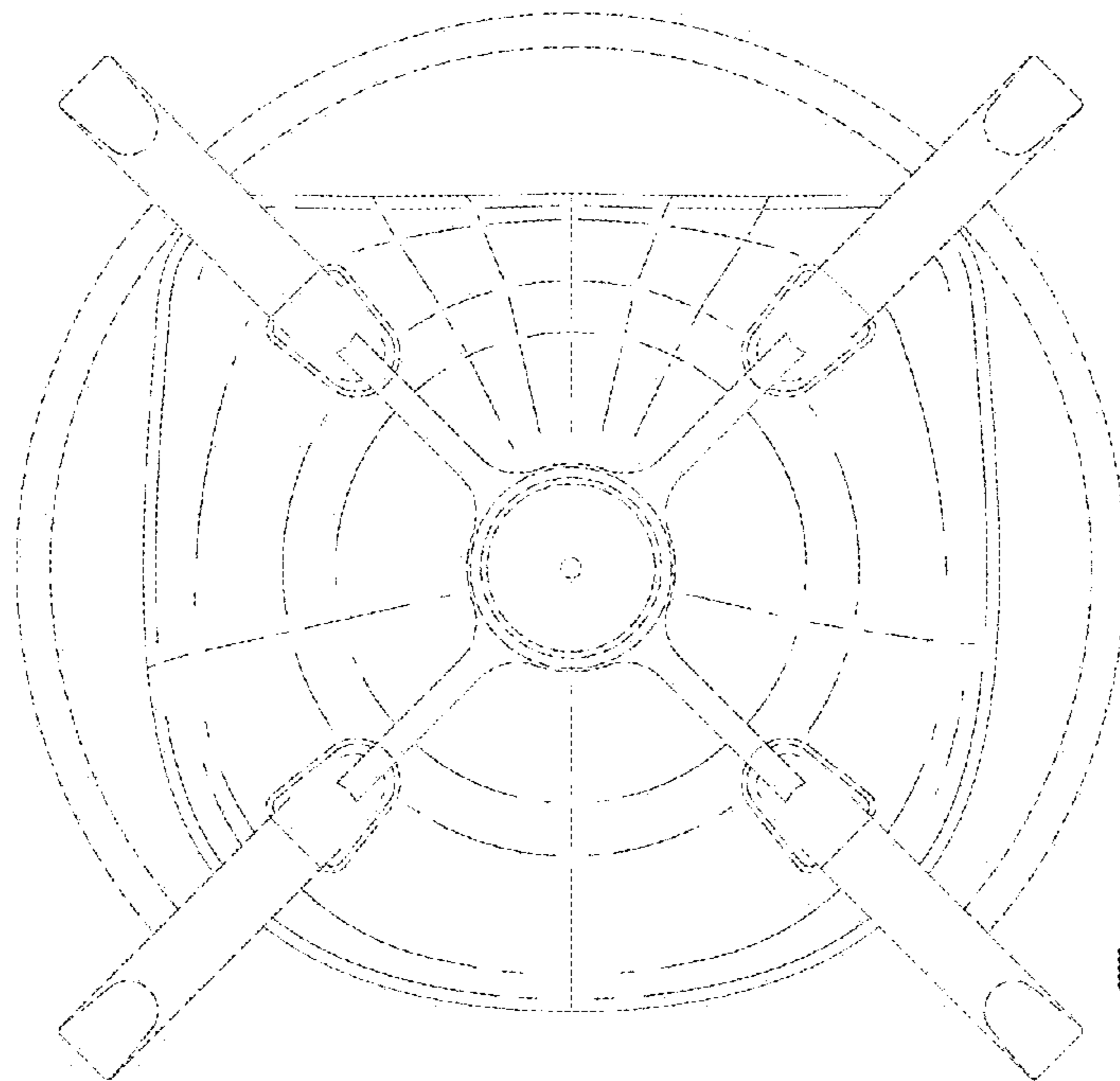


FIG. 12

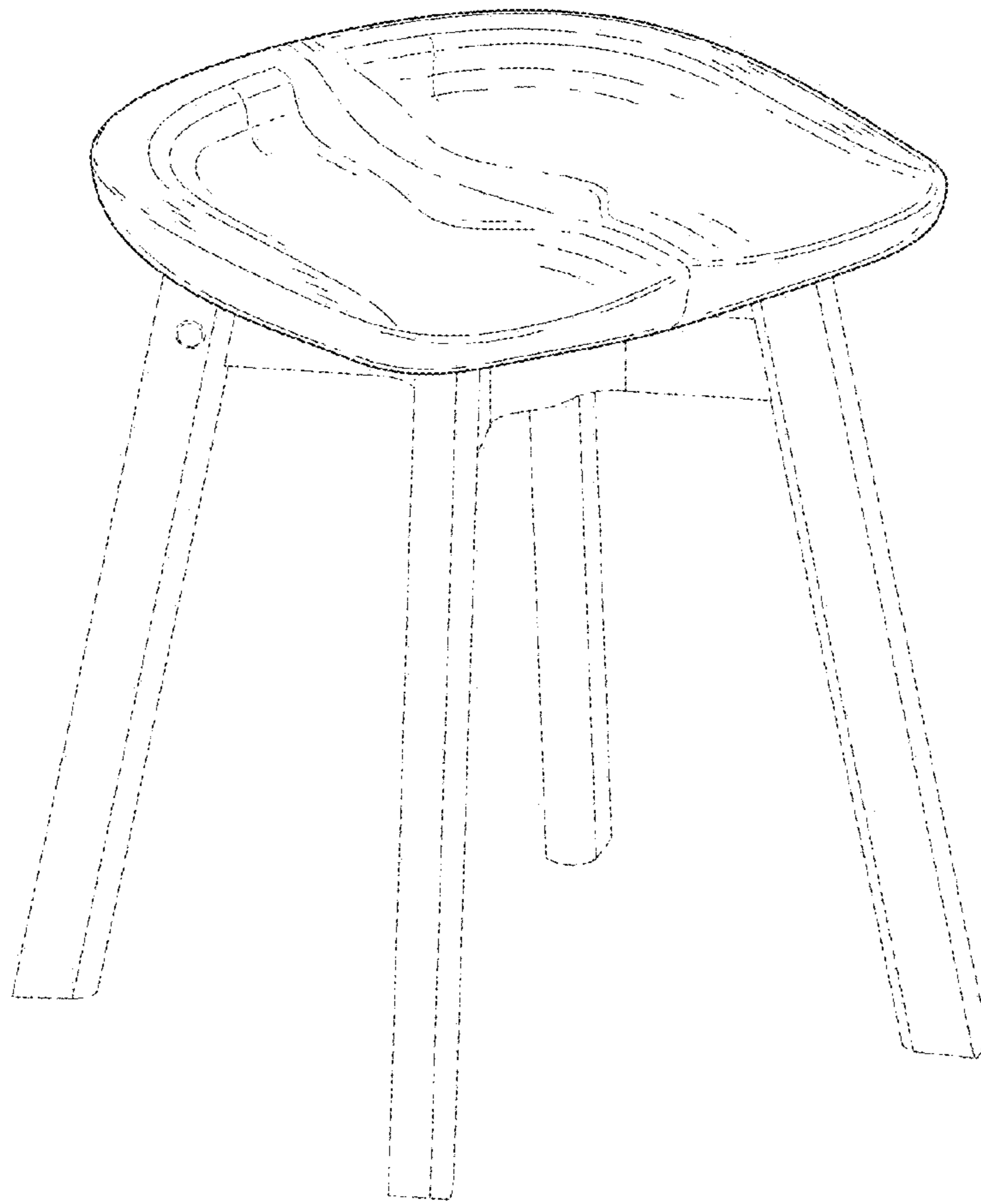


FIG. 13

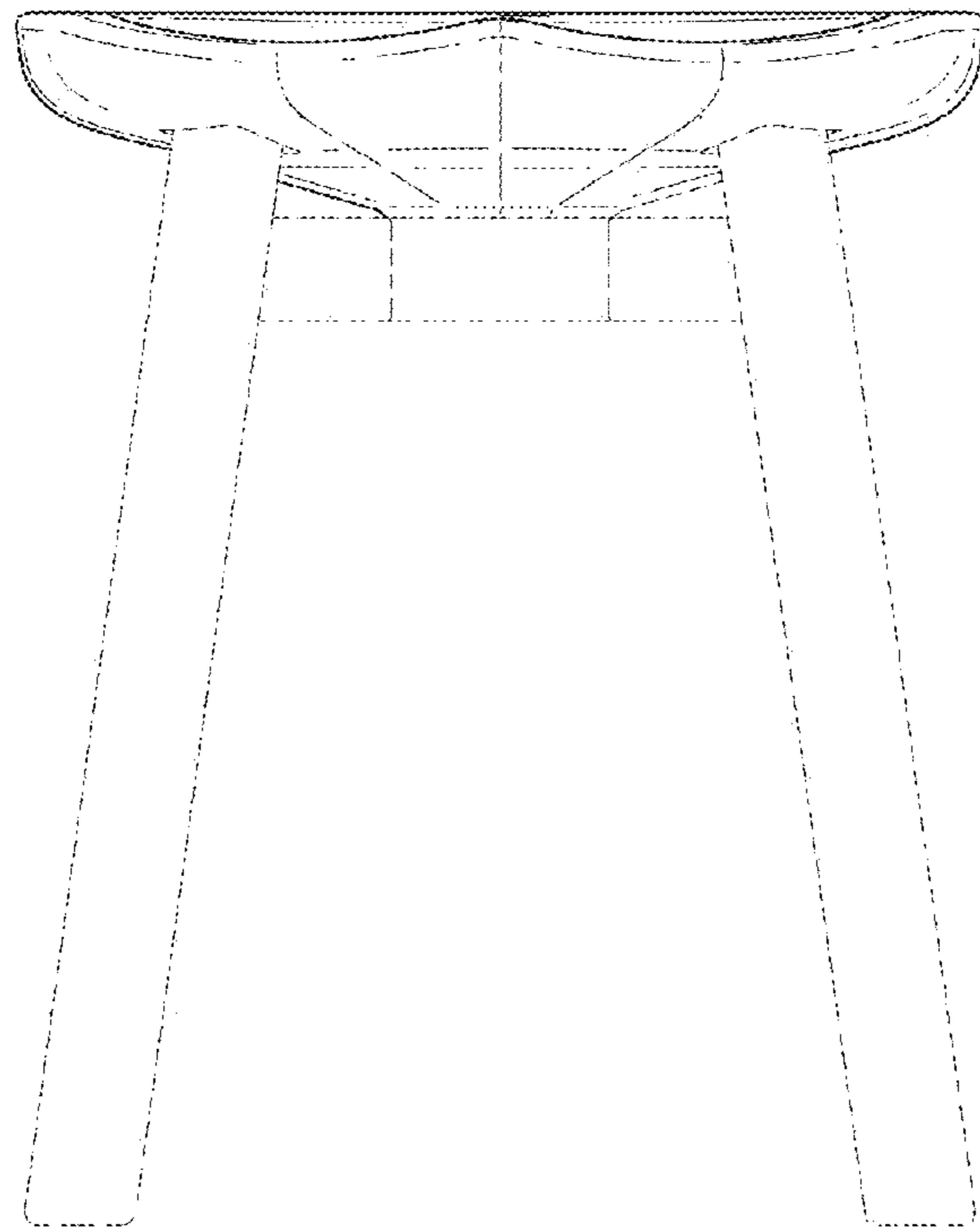


FIG. 14

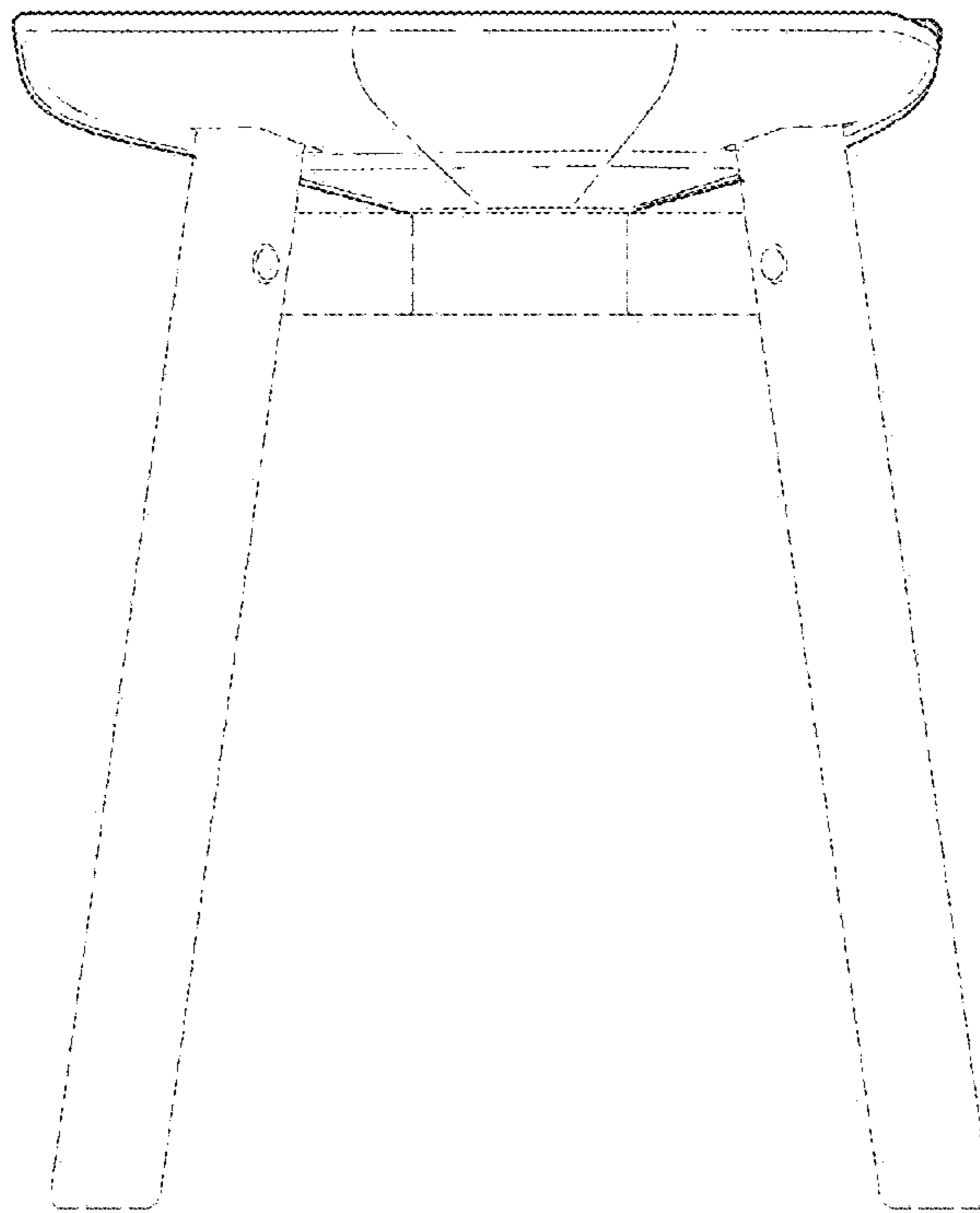


FIG. 15

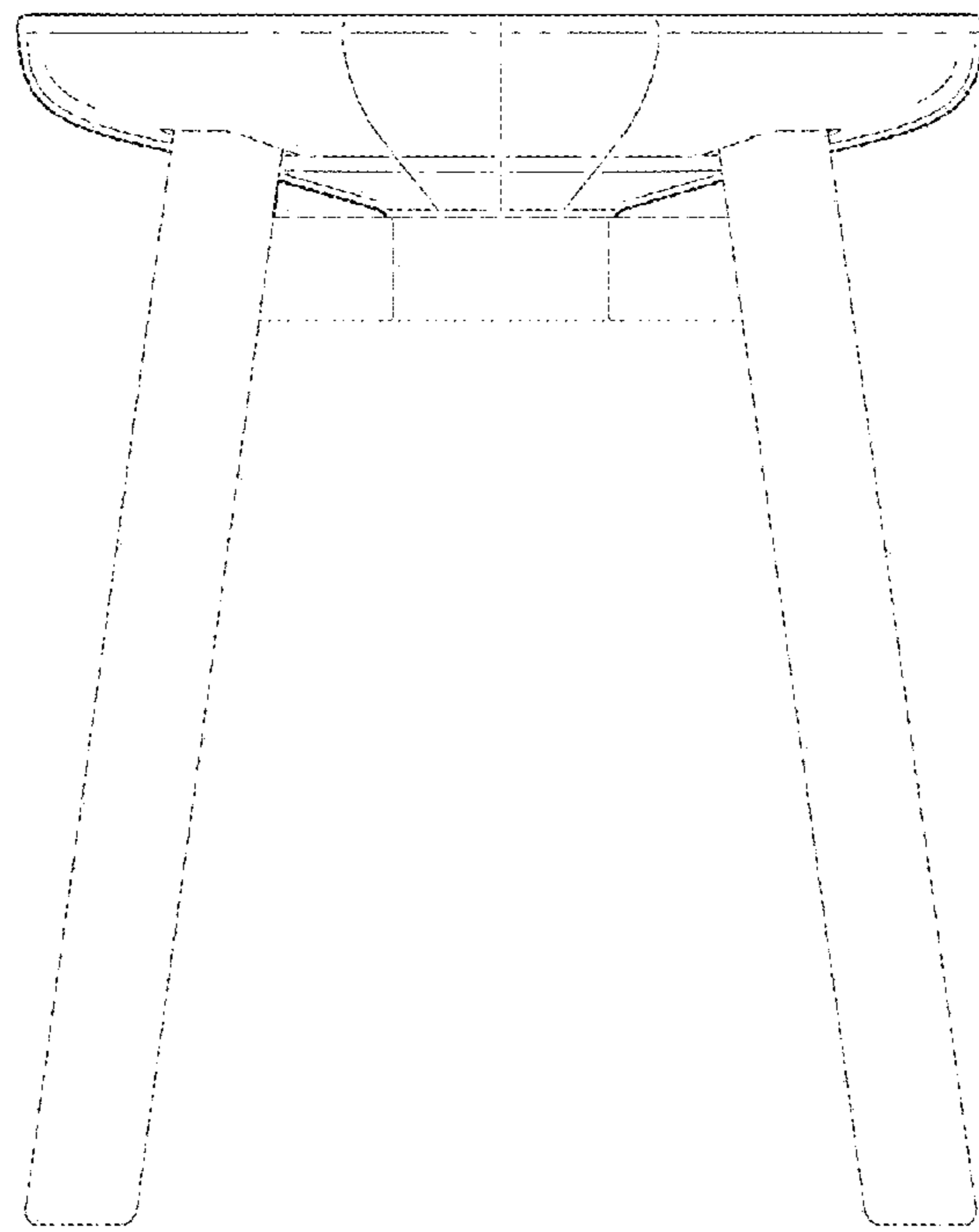


FIG. 16

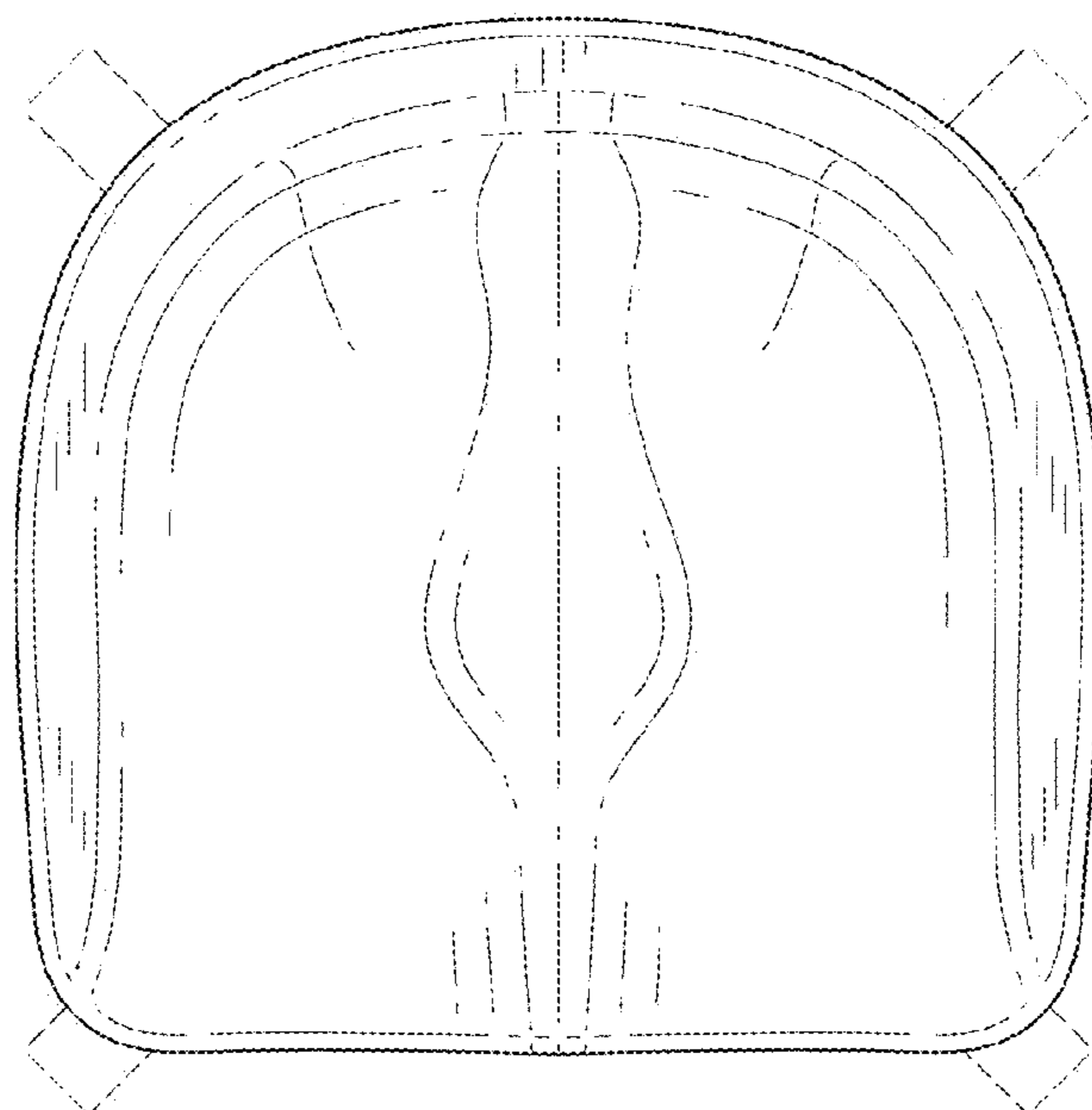


FIG. 17

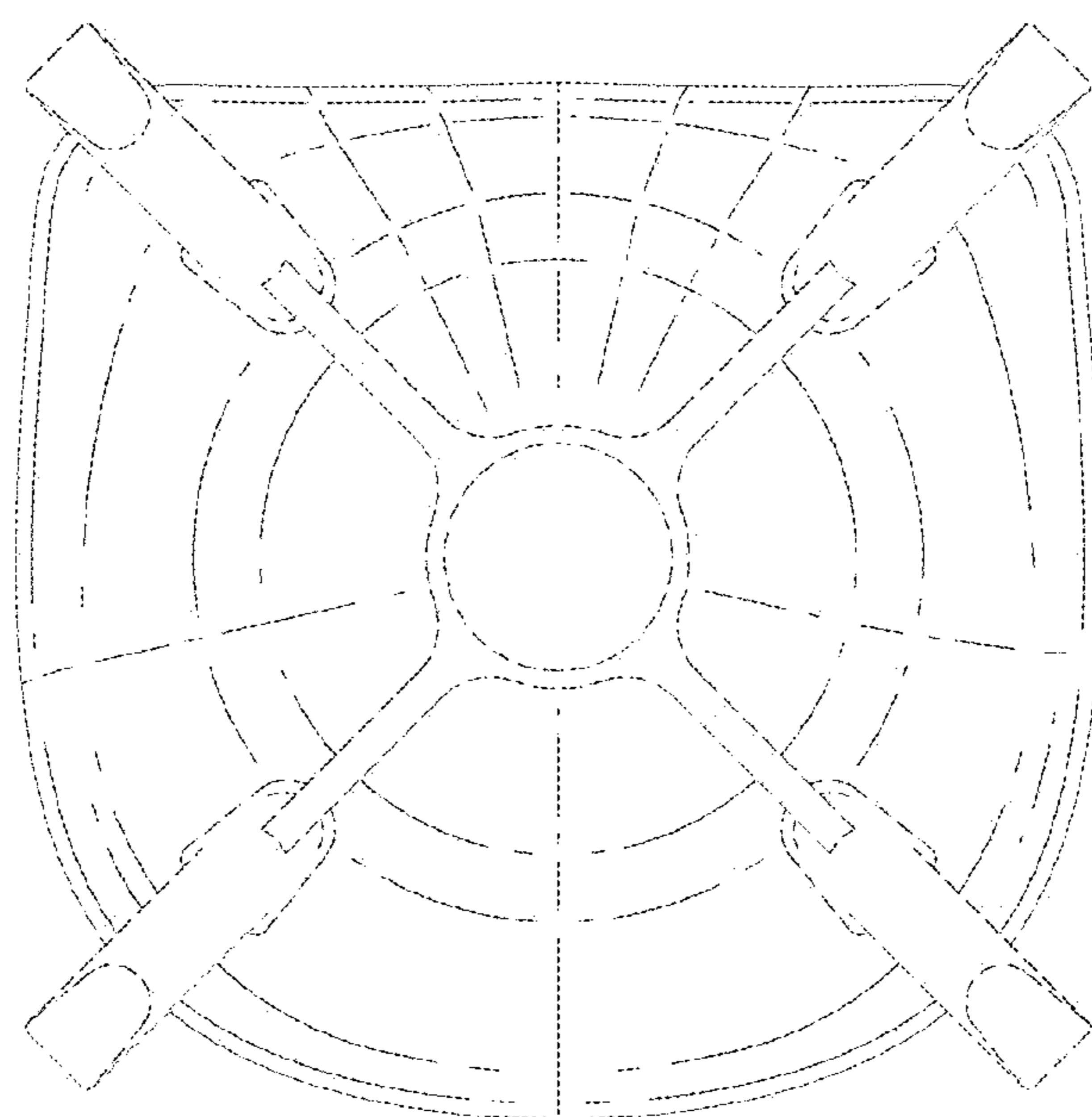


FIG. 18

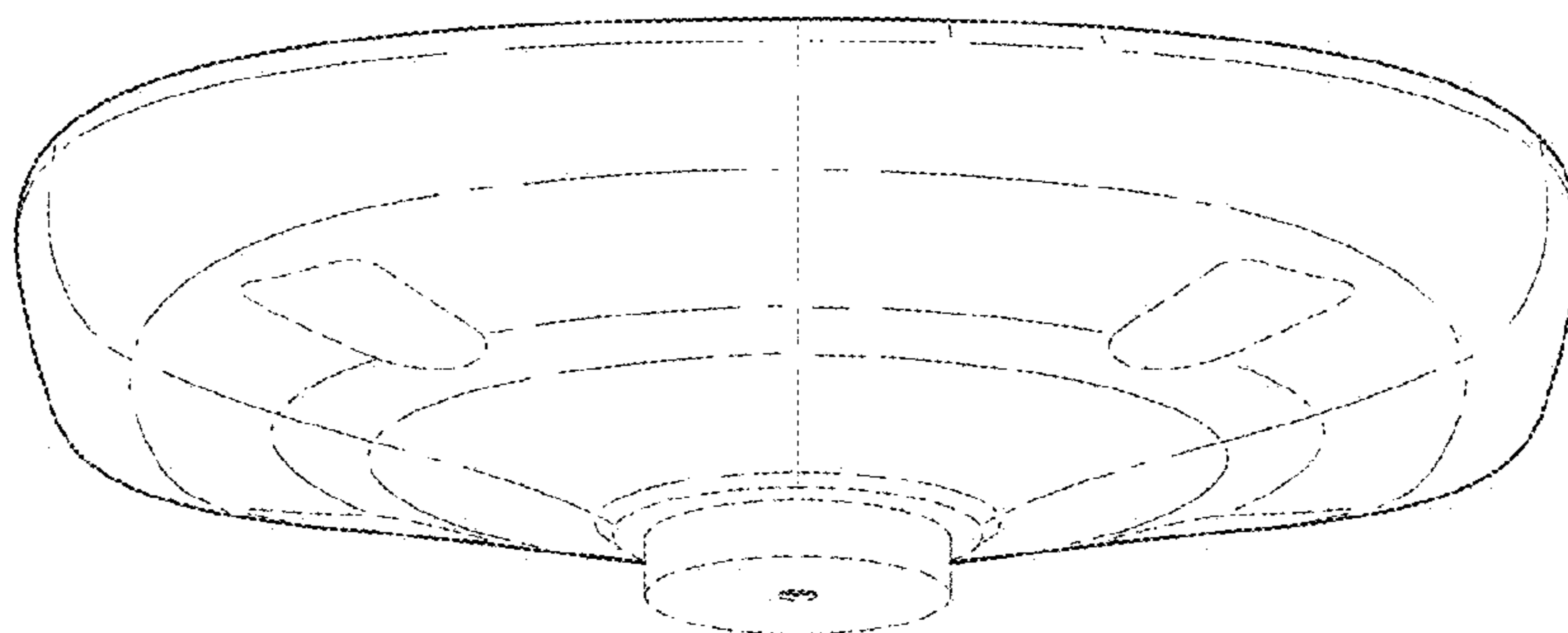


FIG. 19

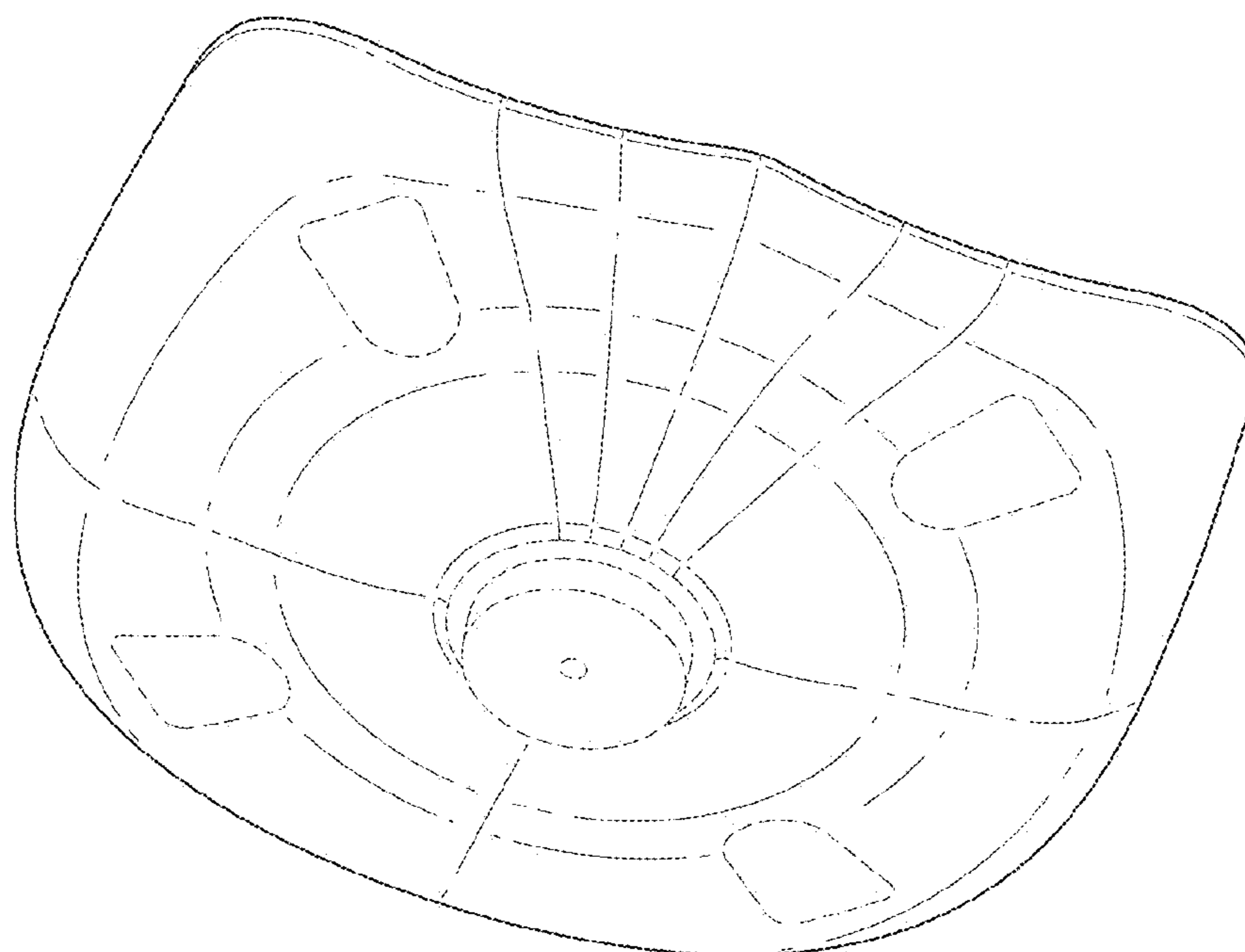


FIG. 20