



US00D711674S

(12) **United States Design Patent**  
**Malouf et al.**

(10) **Patent No.:** **US D711,674 S**

(45) **Date of Patent:** **\*\* Aug. 26, 2014**

(54) **BED FRAME SUPPORT**

(71) Applicants: **Sam Malouf**, Millville, UT (US); **Nat Holfeltz**, Millville, UT (US)

(72) Inventors: **Sam Malouf**, Millville, UT (US); **Nat Holfeltz**, Millville, UT (US)

(73) Assignee: **CVB Inc.**, Logan, UT (US)

(\*\*) Term: **14 Years**

(21) Appl. No.: **29/439,060**

(22) Filed: **Dec. 6, 2012**

(51) **LOC (10) Cl.** ..... **06-06**

(52) **U.S. Cl.**  
USPC ..... **D6/709**; D6/718

(58) **Field of Classification Search**  
USPC ..... D6/382, 389, 392-395, 718, 709;  
5/53.1, 907, 279.1, 280, 281, 310  
See application file for complete search history.

(56) **References Cited**

**U.S. PATENT DOCUMENTS**

D179,428 S \* 12/1956 Roche ..... D6/499  
2,825,073 A \* 3/1958 Harris ..... 5/310

D208,195 S \* 8/1967 Schrayer ..... D6/499  
3,828,376 A \* 8/1974 Miller ..... 5/200.1  
4,103,374 A \* 8/1978 Knoke ..... 5/176.1  
4,195,377 A \* 4/1980 Kitchen et al. .... 5/310  
7,690,058 B1 \* 4/2010 Dwyer et al. .... 5/310  
2009/0106897 A1 \* 4/2009 Harrow ..... 5/200.1

\* cited by examiner

*Primary Examiner* — Janice Seeger

(74) *Attorney, Agent, or Firm* — Preston P. Frischknecht

(57) **CLAIM**

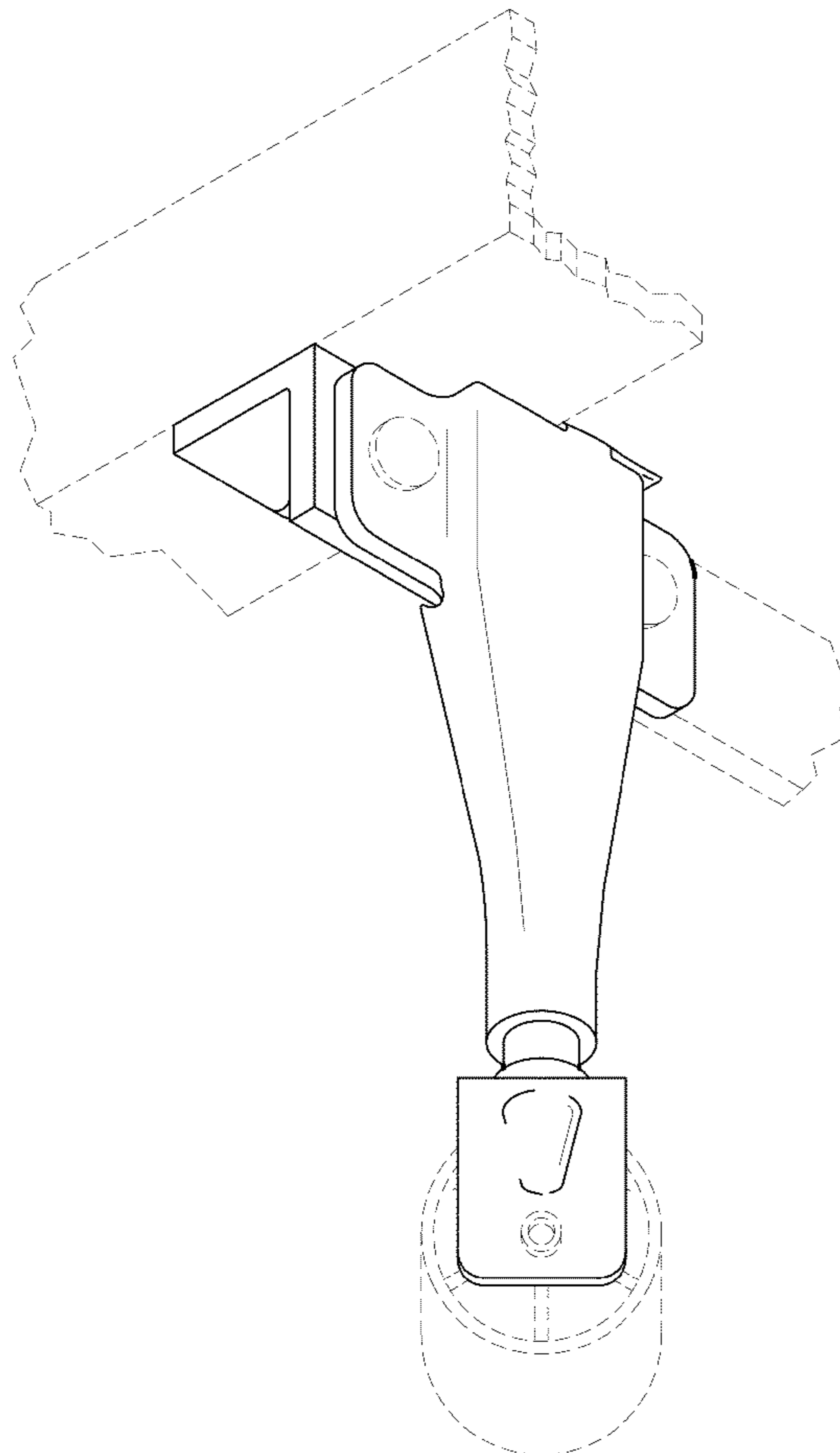
The ornamental design for a bed frame support, as shown.

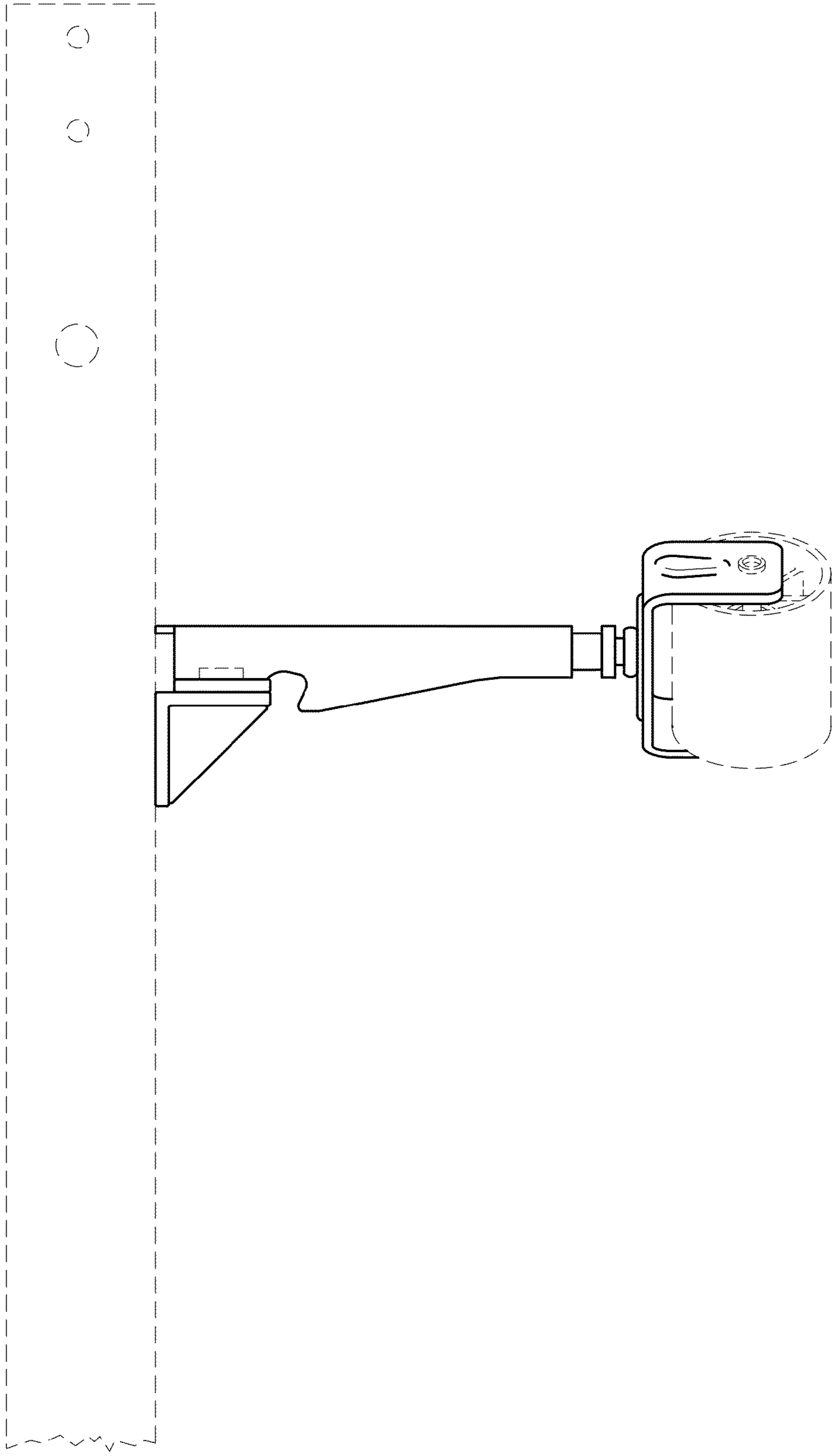
**DESCRIPTION**

FIG. 1 is a fully assembled front view showing the design; FIG. 2 is a fully assembled back view showing the design; FIG. 3 is a fully assembled bottom perspective view showing the design; and, FIG. 4 is a fully assembled bottom perspective enlarged view showing the design.

The broken lines are for environmental purposes only and form no part of the claimed design.

**1 Claim, 4 Drawing Sheets**





**Fig. 1**

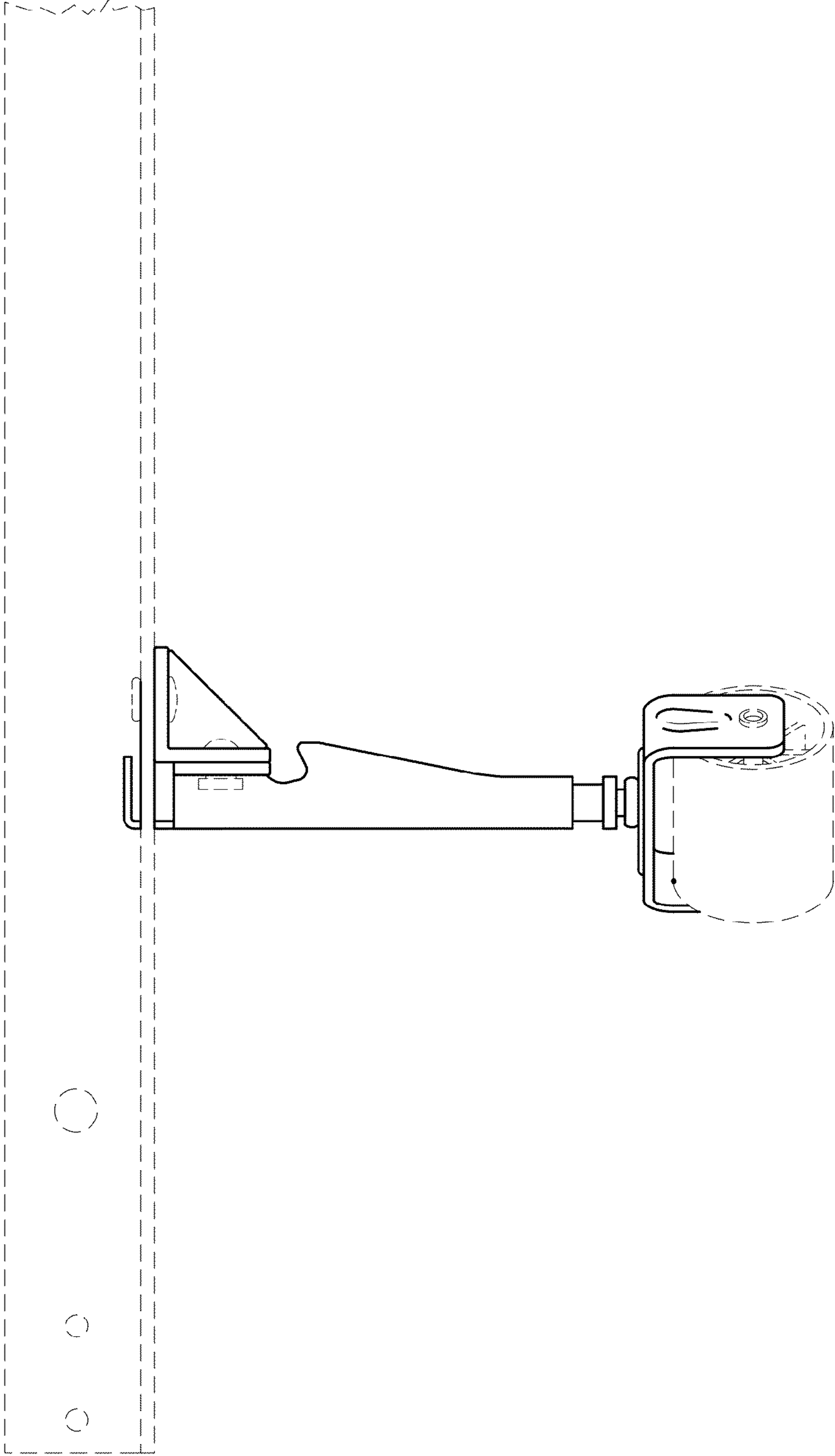


Fig. 2

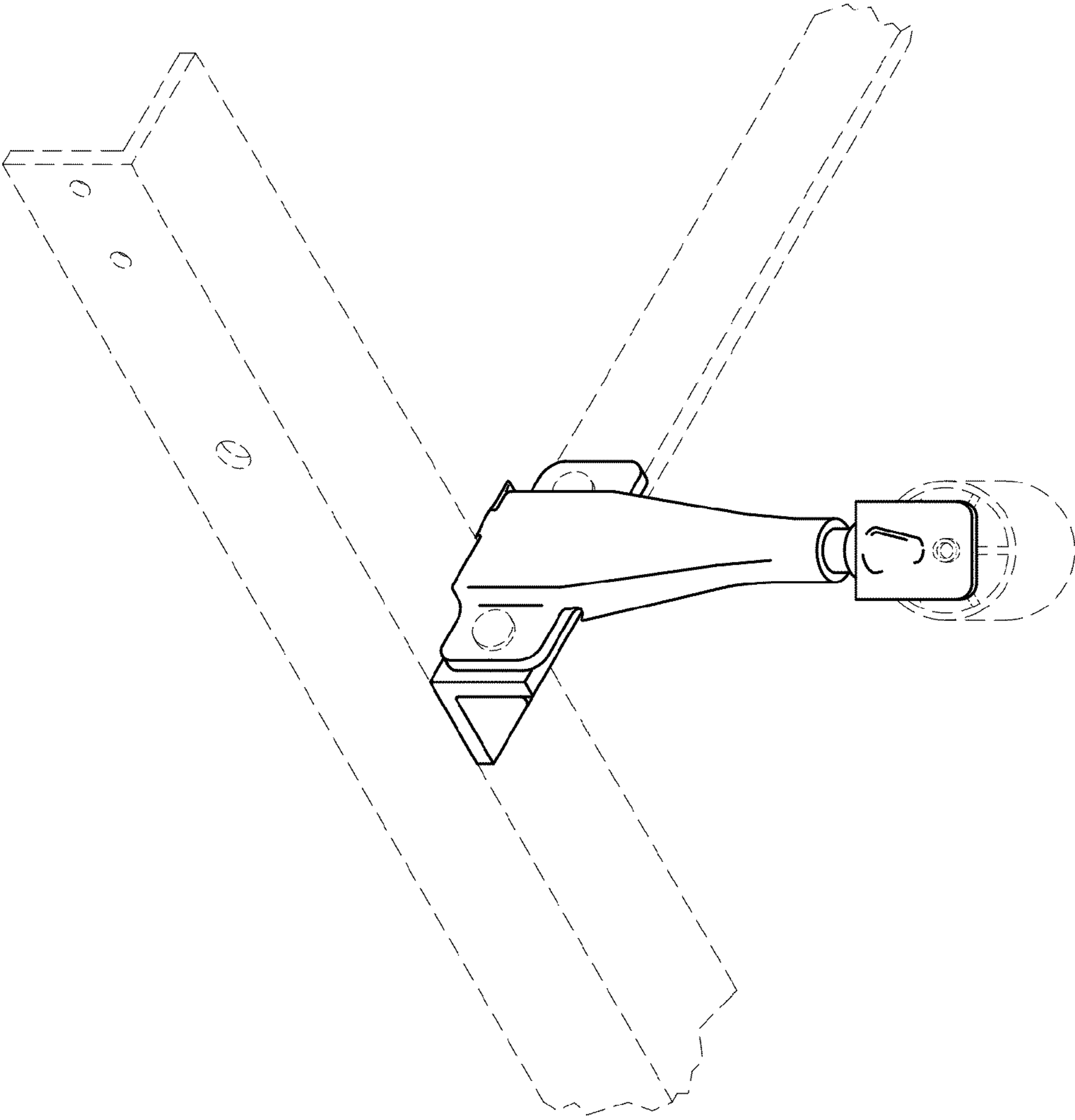
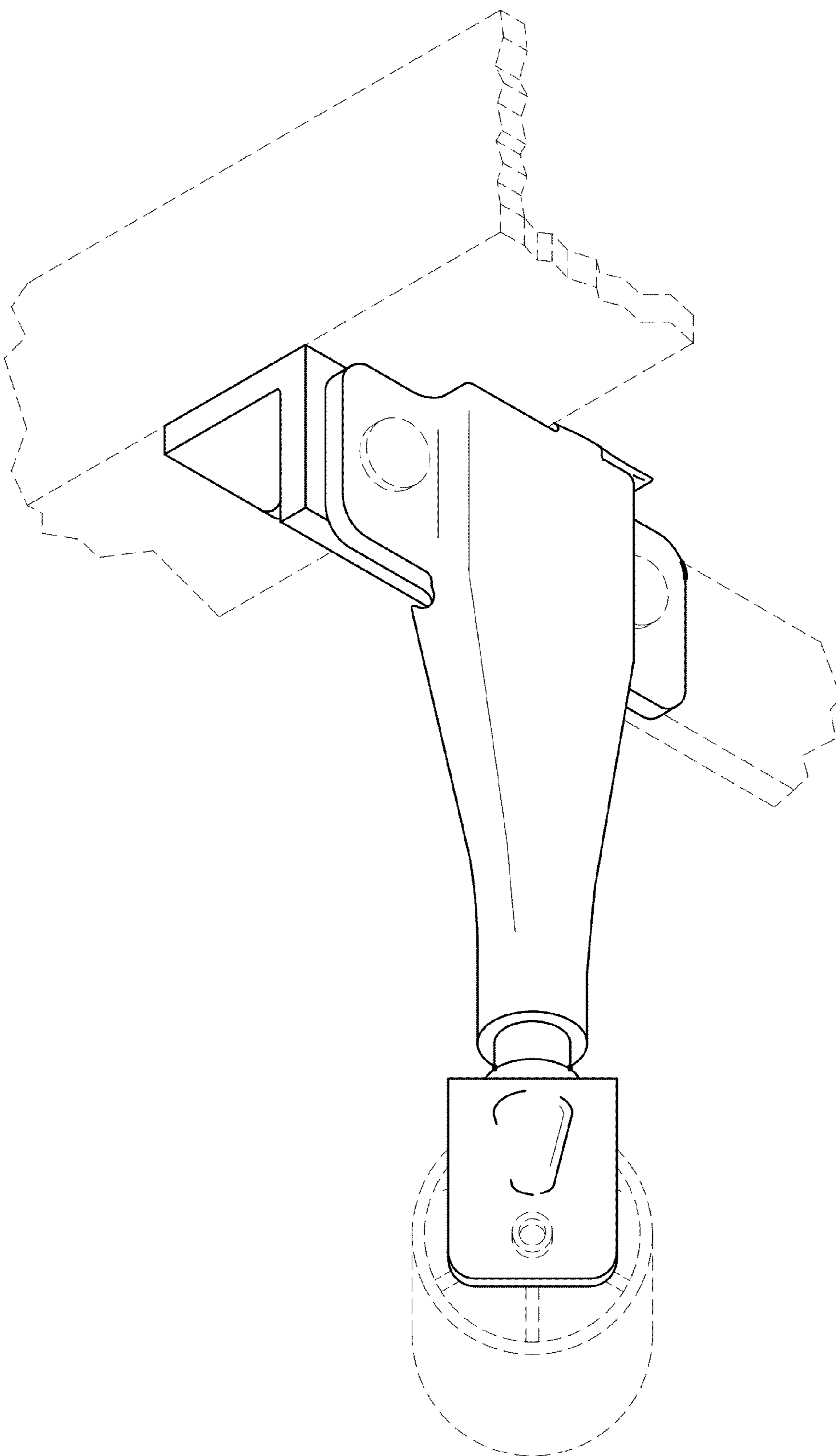


Fig. 3



**Fig. 4**