



US00D711673S

(12) **United States Design Patent**
Lim

(10) **Patent No.:** **US D711,673 S**

(45) **Date of Patent:** **** Aug. 26, 2014**

(54) **CABINET**

(75) Inventor: **Gary M Lim**, Palos Verdes Peninsula,
CA (US)

(73) Assignee: **Seville Classics Inc.**, Torrance, CA (US)

(**) Term: **14 Years**

(21) Appl. No.: **29/424,037**

(22) Filed: **Jun. 7, 2012**

(51) **LOC (10) Cl.** **06-06**

(52) **U.S. Cl.**

USPC **D6/703**

(58) **Field of Classification Search**

USPC D6/657-660, 662.1, 663-664, 664.1,
D6/668.2, 670-671, 671.1, 671.2, 675.3,
D6/681, 691.8, 702-703, 703.2-703.4,
D6/705.5, 705.7; D13/184; D99/28;
312/138.1, 204, 217, 224, 257.1,
312/265.3, 265.6, 293.2, 384.4

See application file for complete search history.

(56) **References Cited**

U.S. PATENT DOCUMENTS

D327,793 S *	7/1992	McGrory	D6/448
D374,965 S *	10/1996	Utsuki et al.	D99/28
D492,135 S *	6/2004	Anderson et al.	D6/448
D492,508 S *	7/2004	Anderson et al.	D6/448
D505,568 S *	5/2005	Moon et al.	D6/432
D509,081 S *	9/2005	Anderson et al.	D6/432
D550,004 S *	9/2007	Gaska et al.	D6/510

7,524,002 B2 *	4/2009	Punzel et al.	312/217
D609,936 S *	2/2010	Haimoff	D6/432
D633,059 S *	2/2011	Delakowitz	D13/184
D645,427 S *	9/2011	Delakowitz	D13/184
D663,134 S *	7/2012	Wu	D6/432
D665,596 S *	8/2012	Shawcross et al.	D6/432

* cited by examiner

Primary Examiner — Ricky Pham

(74) *Attorney, Agent, or Firm* — Raymond Sun

(57) **CLAIM**

The ornamental design for a cabinet, as shown and described.

DESCRIPTION

FIG. 1 is a perspective view of a cabinet according to one embodiment of the present invention.

FIG. 2 is an enlarged fragmentary front perspective view thereof;

FIG. 3 is a front elevational view thereof;

FIG. 4 is a perspective view of a second embodiment of a cabinet according to the present invention.

FIG. 5 is an enlarged fragmentary front perspective view of the cabinet of FIG. 4;

FIG. 6 is a front elevational view of the cabinet of FIG. 4;

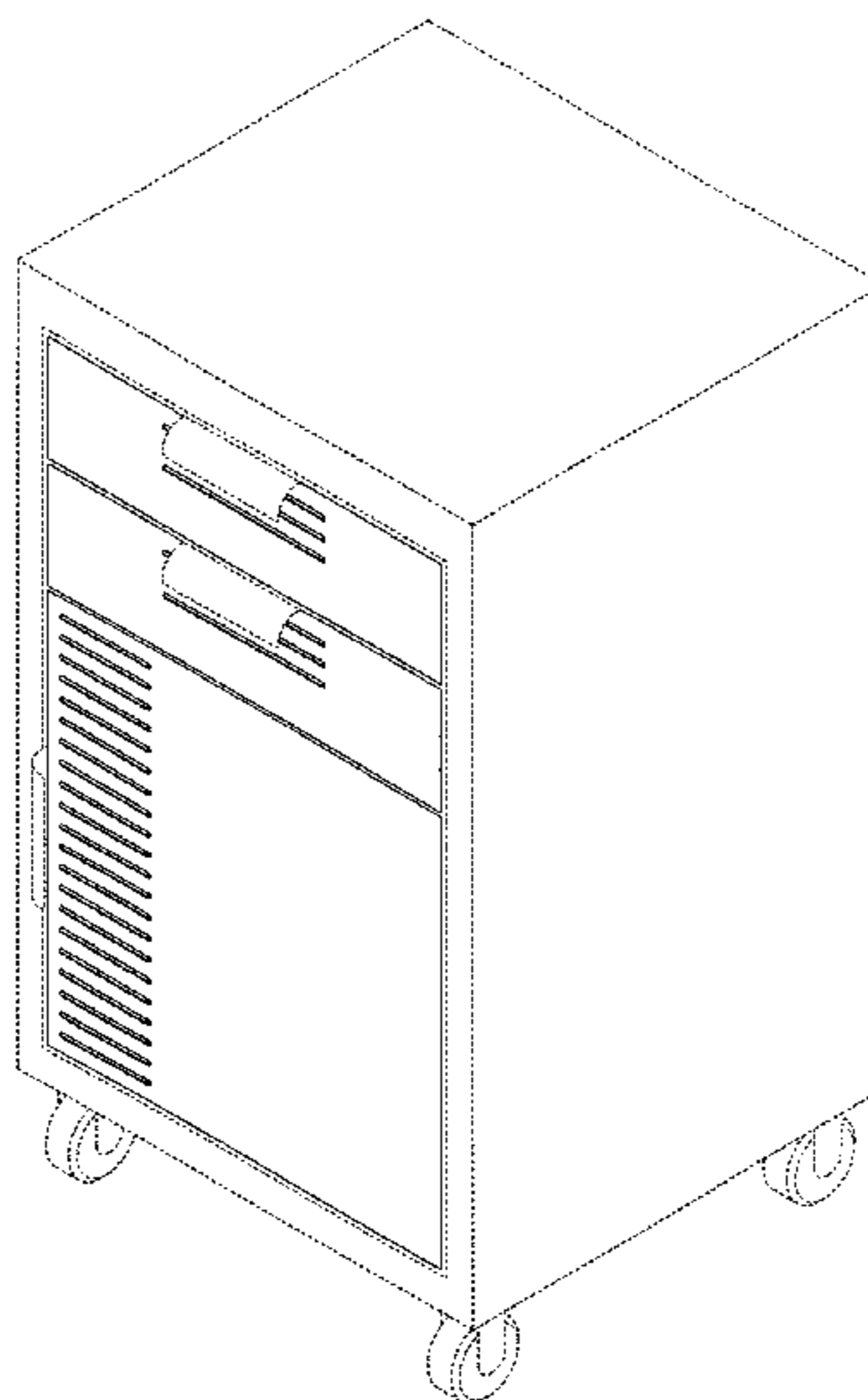
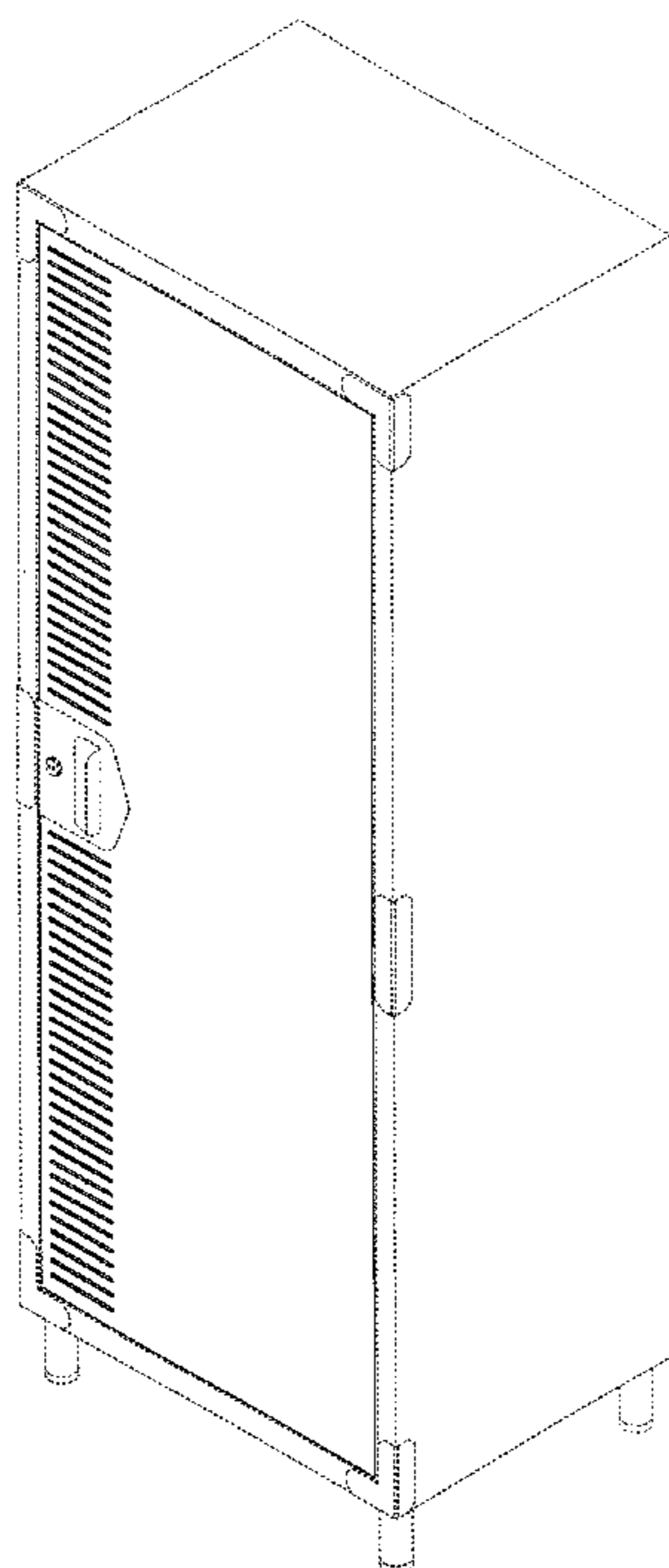
FIG. 7 is a perspective view of a third embodiment of a cabinet according to the present invention.

FIG. 8 is an enlarged fragmentary front perspective of the cabinet of FIG. 7; and,

FIG. 9 is a front elevational view of the cabinet of FIG. 7.

The broken line showing of a cabinet is included for the purpose of illustrating environment and forms no part of the claimed design.

1 Claim, 6 Drawing Sheets



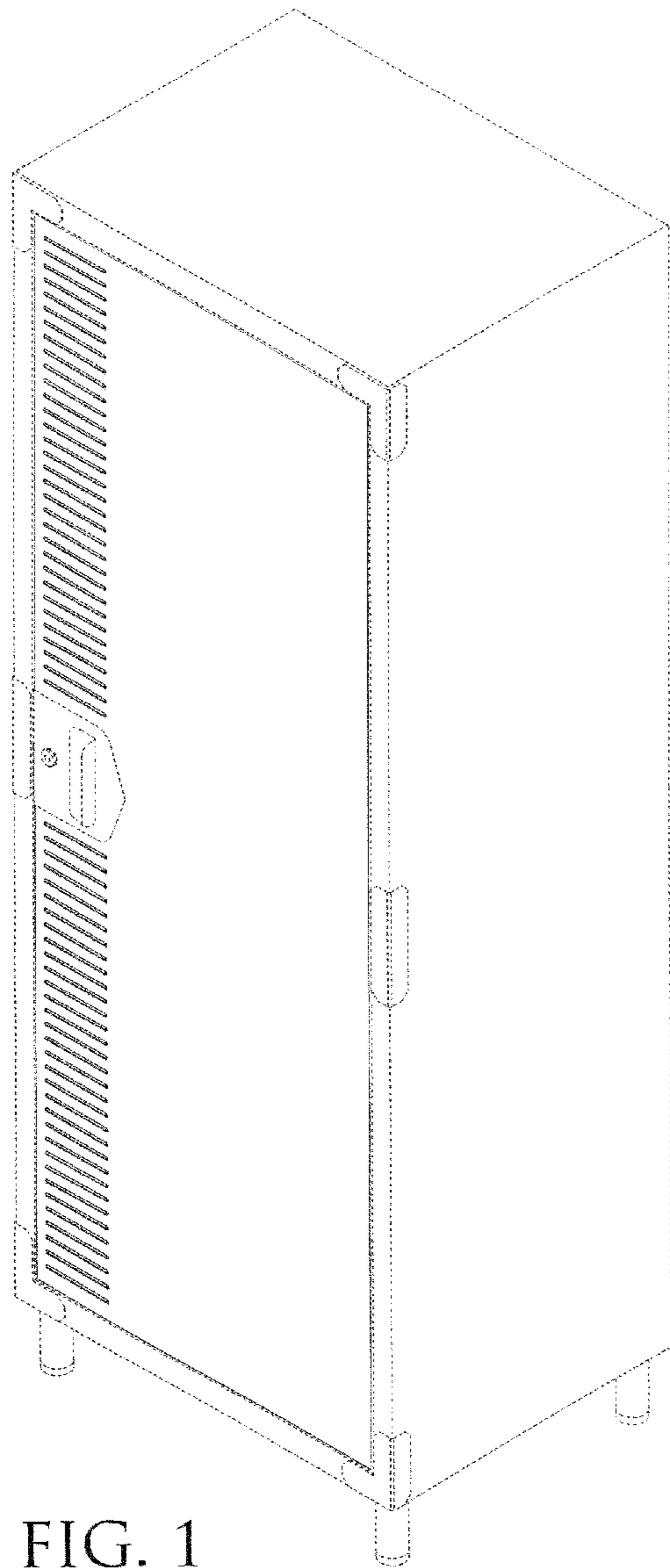


FIG. 1

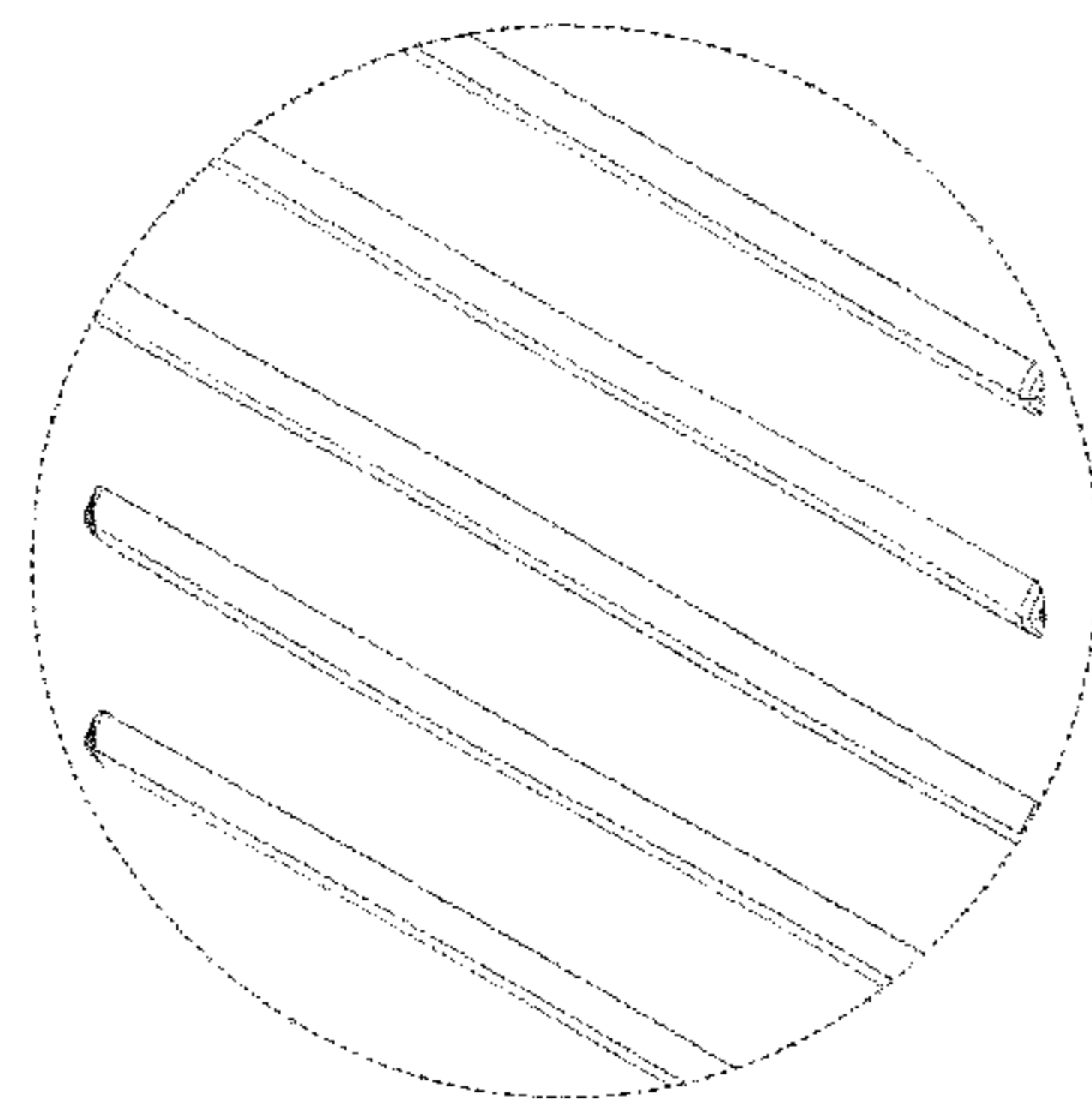


FIG. 2

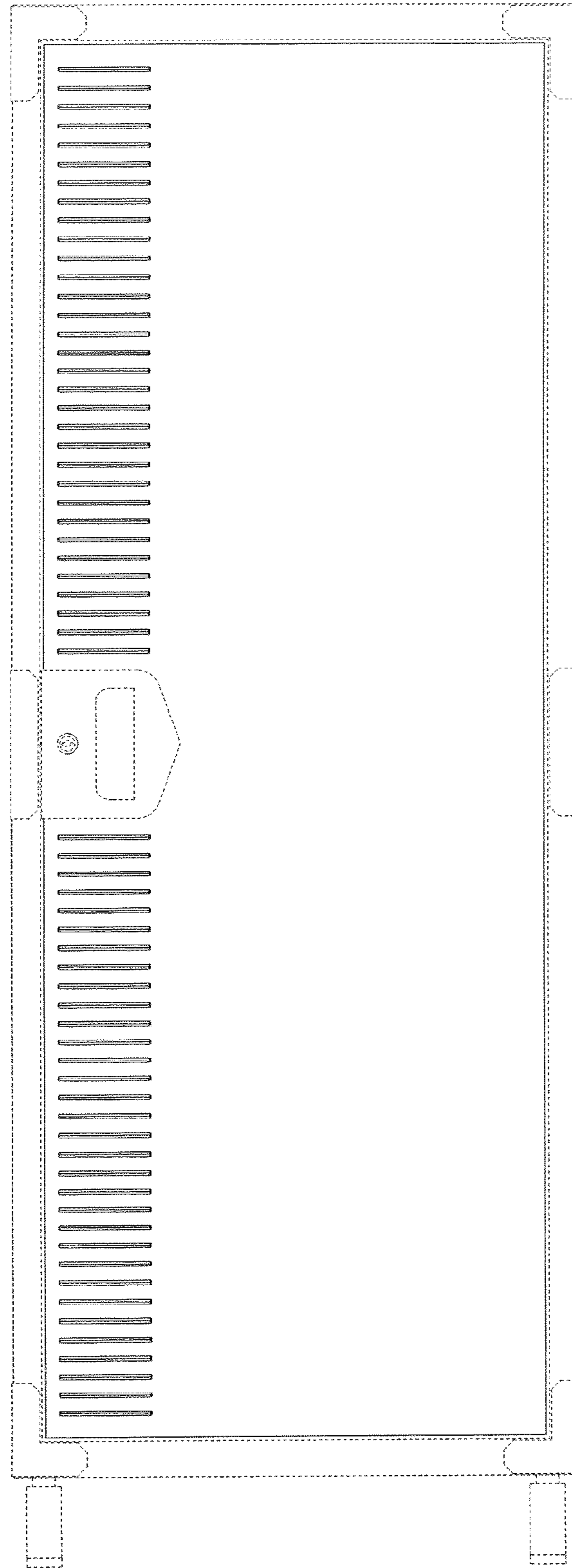


FIG. 3

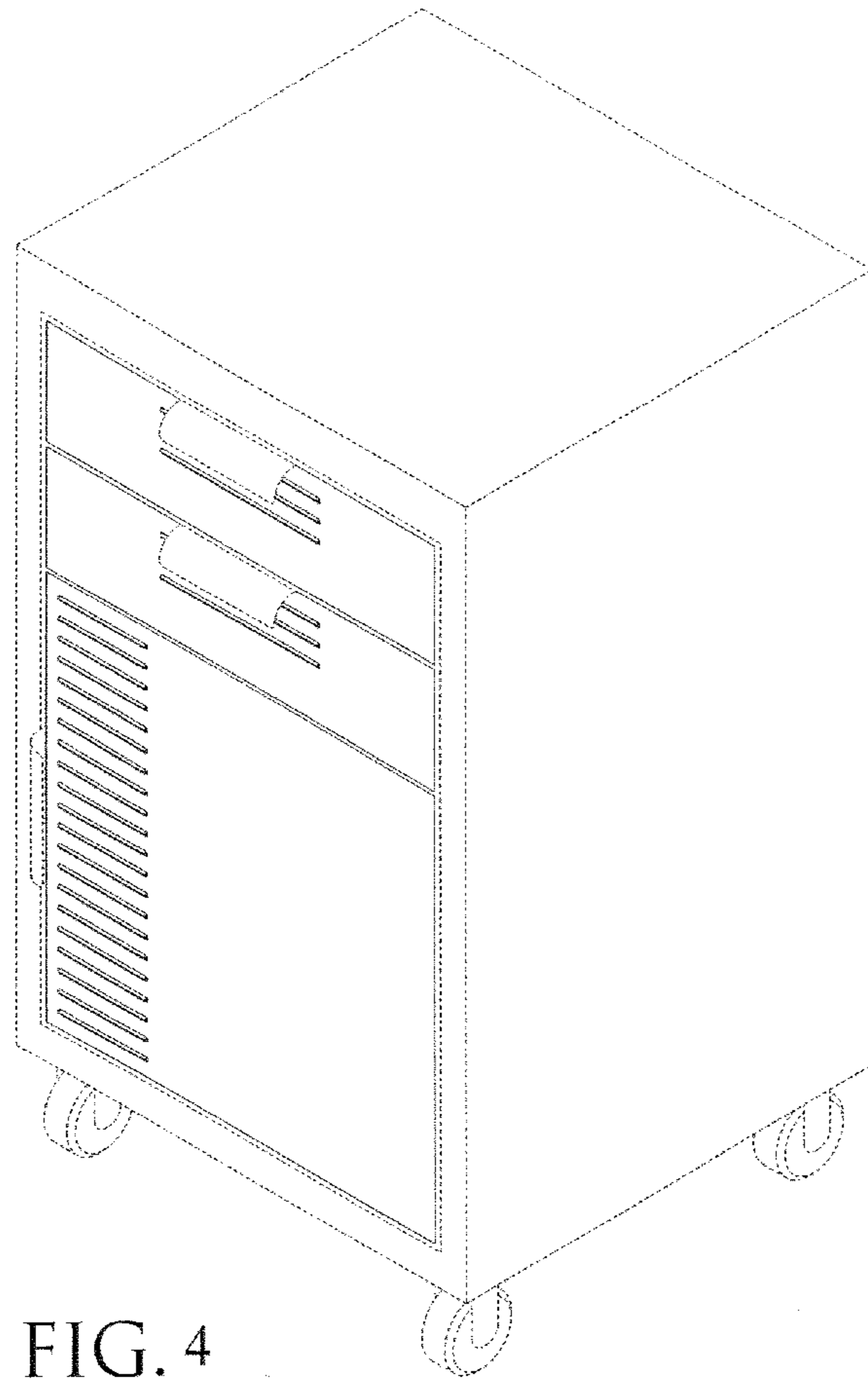


FIG. 4

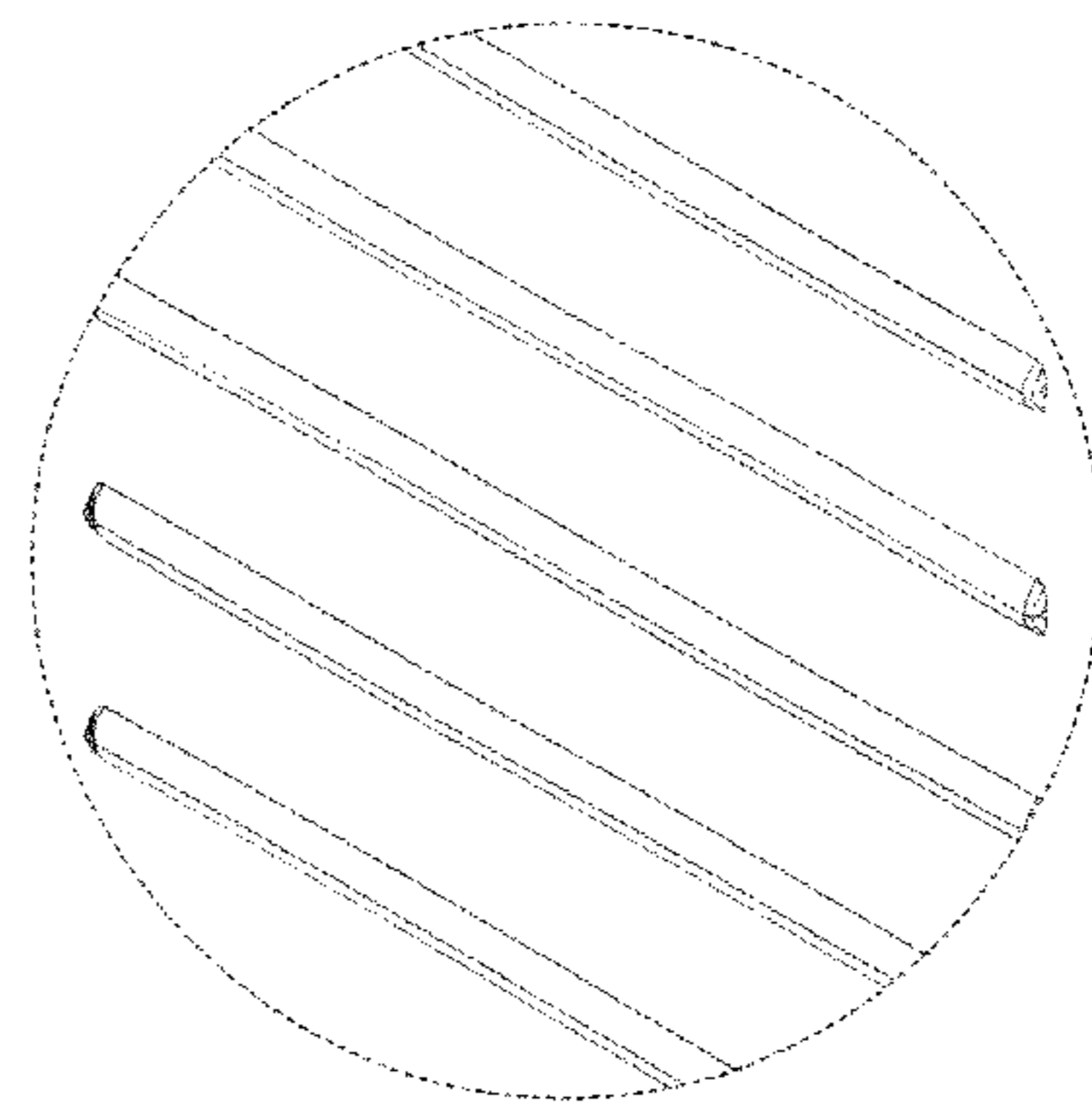


FIG. 5

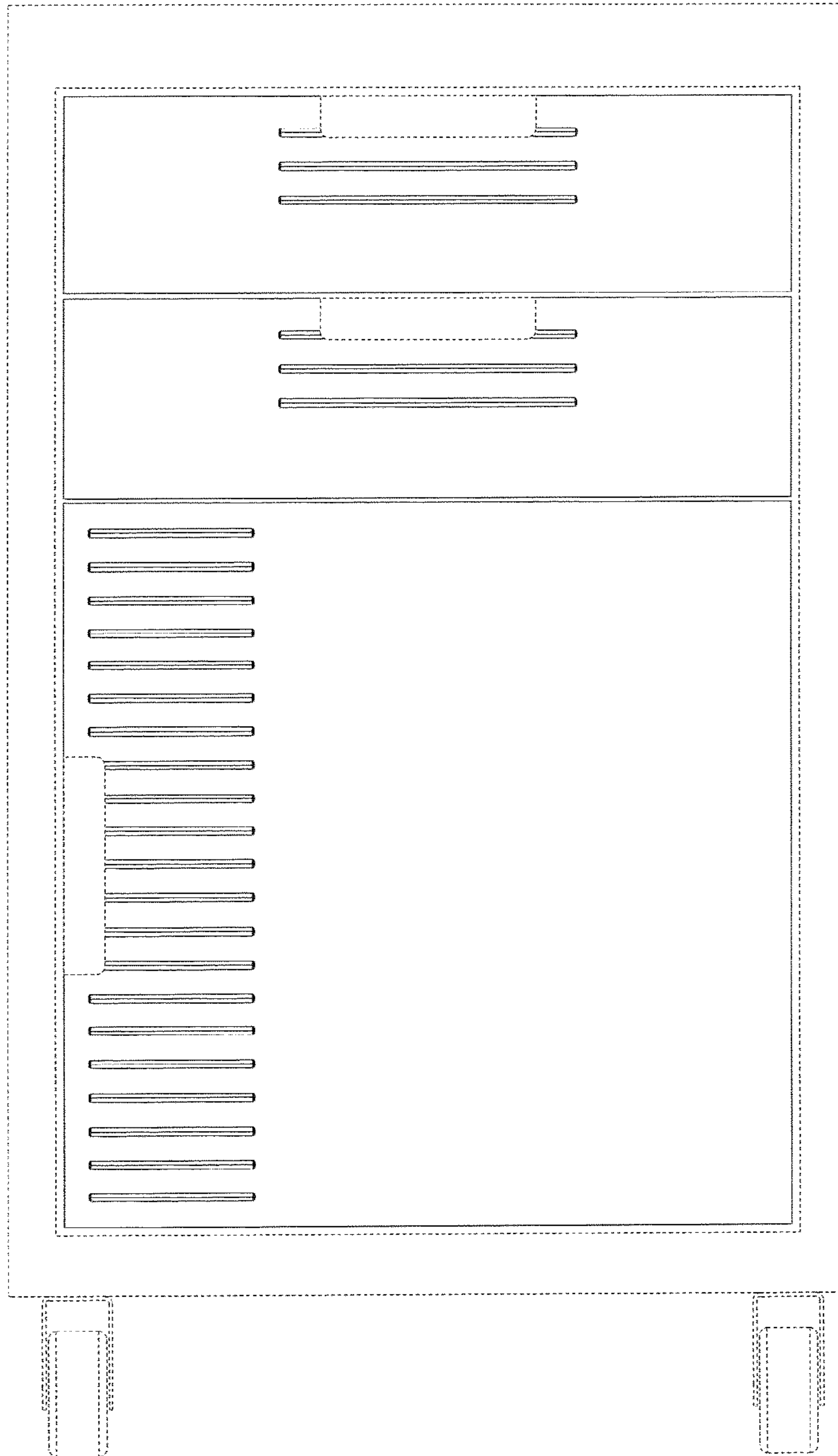


FIG. 6

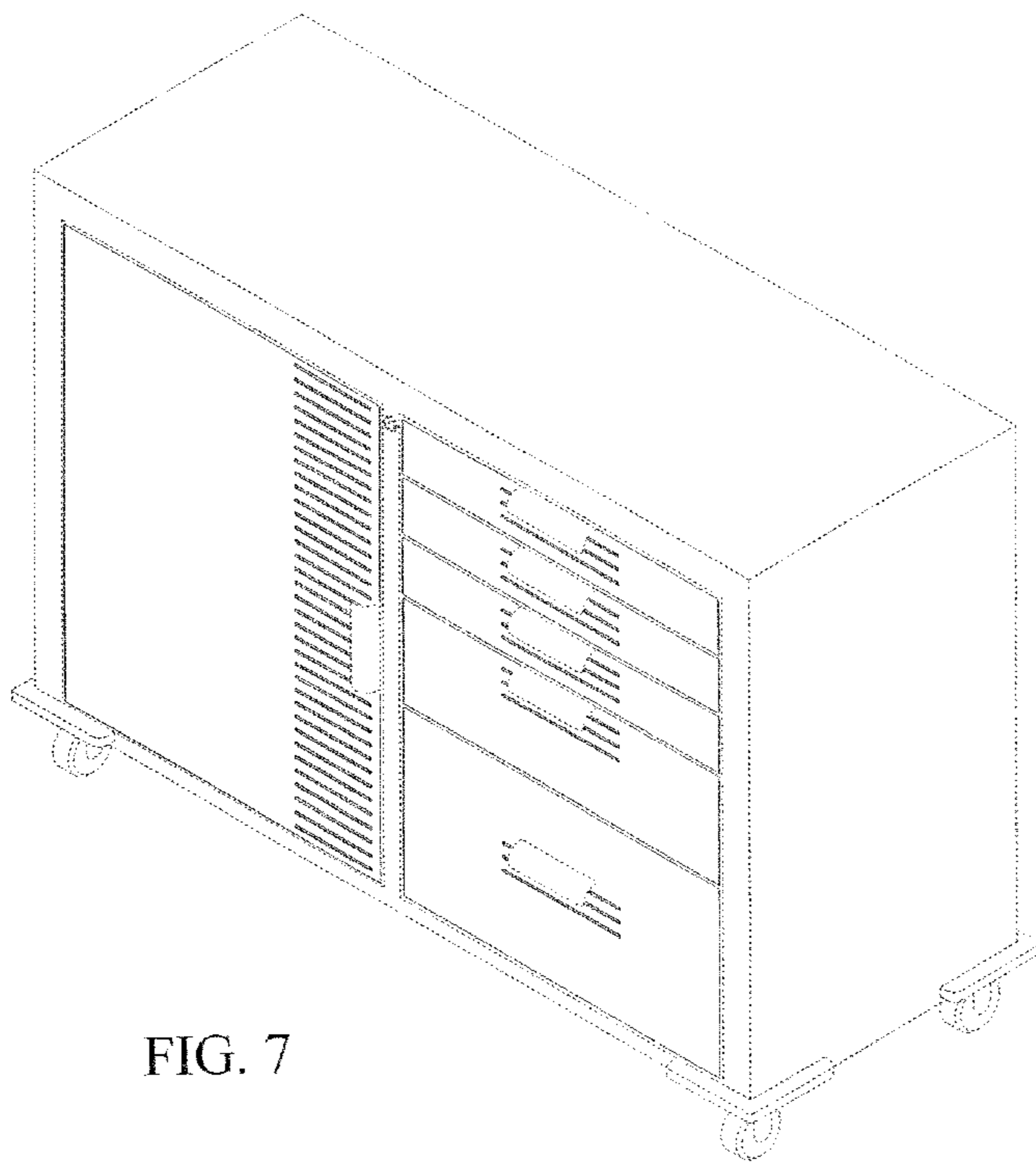


FIG. 7

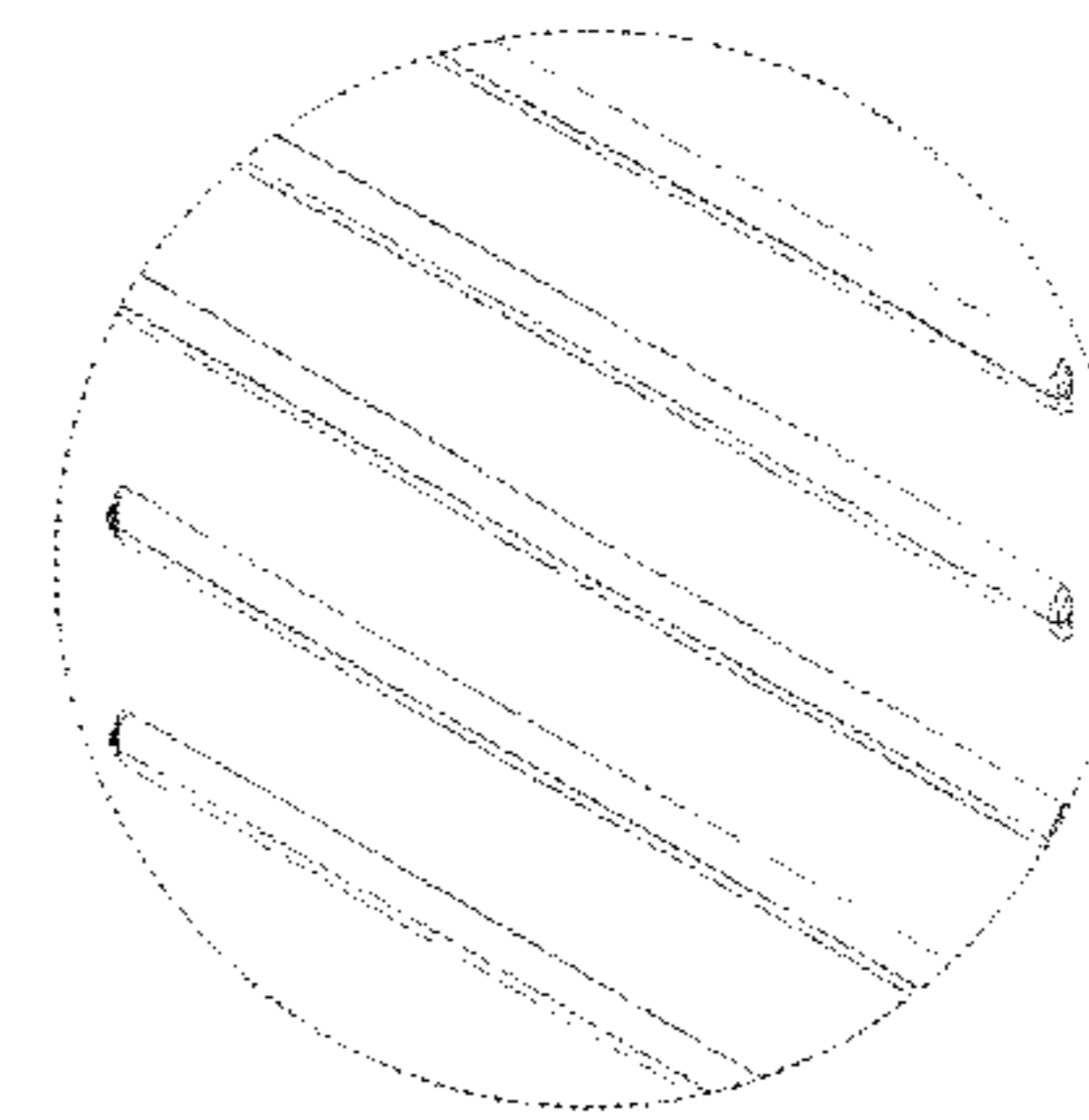


FIG. 8

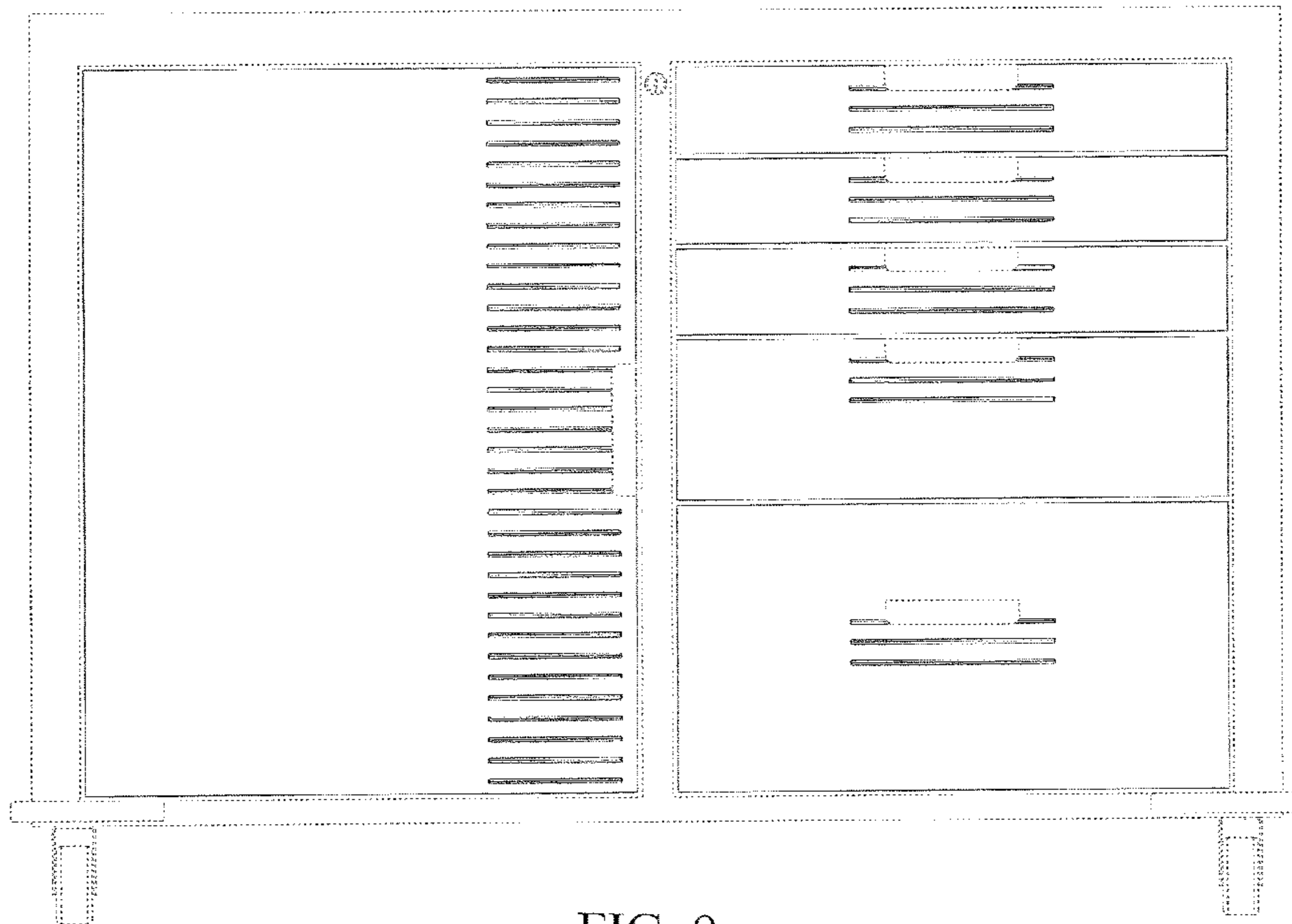


FIG. 9