



US00D711669S

(12) **United States Design Patent**  
**Holder**

(10) **Patent No.:** **US D711,669 S**

(45) **Date of Patent:** **\*\* Aug. 26, 2014**

(54) **PILLOW**

(71) Applicant: **Marlon M. E. Holder**, Randolph, NJ  
(US)

(72) Inventor: **Marlon M. E. Holder**, Randolph, NJ  
(US)

(73) Assignee: **Xen Pillow Holding Corporation**, East  
Stroudsburg, PA (US)

(\*\*) Term: **14 Years**

(21) Appl. No.: **29/451,266**

(22) Filed: **Mar. 29, 2013**

(51) **LOC (10) Cl.** ..... **06-09**

(52) **U.S. Cl.**  
USPC ..... **D6/601**

(58) **Field of Classification Search**  
USPC ..... D6/595, 596, 601; 5/630, 636-638,  
5/643, 633, 652, 652.1, 653-655, 655.9,  
5/656, 657

See application file for complete search history.

(56) **References Cited**

U.S. PATENT DOCUMENTS

D214,302 S *	6/1969	Barber .....	D6/601
D306,245 S *	2/1990	Akhtarekhavari .....	D6/601
D308,455 S *	6/1990	Jenney .....	D6/601
D376,288 S *	12/1996	Antonian .....	D6/601

\* cited by examiner

*Primary Examiner* — Janice Seeger

(74) *Attorney, Agent, or Firm* — John de la Rosa

(57) **CLAIM**

The ornamental design for a pillow, as shown and described.

**DESCRIPTION**

FIG. 1 is a perspective view of a pillow illustrating our new design;  
FIG. 2 is a front perspective view of the pillow shown in FIG. 1;  
FIG. 3 is a back perspective view of the pillow shown in FIG. 1;  
FIG. 4 is a right side view of the pillow shown in FIG. 1;  
FIG. 5 is a top view of the pillow shown in FIG. 1; and,  
FIG. 6 is a bottom view of the pillow shown in FIG. 1.

**1 Claim, 4 Drawing Sheets**

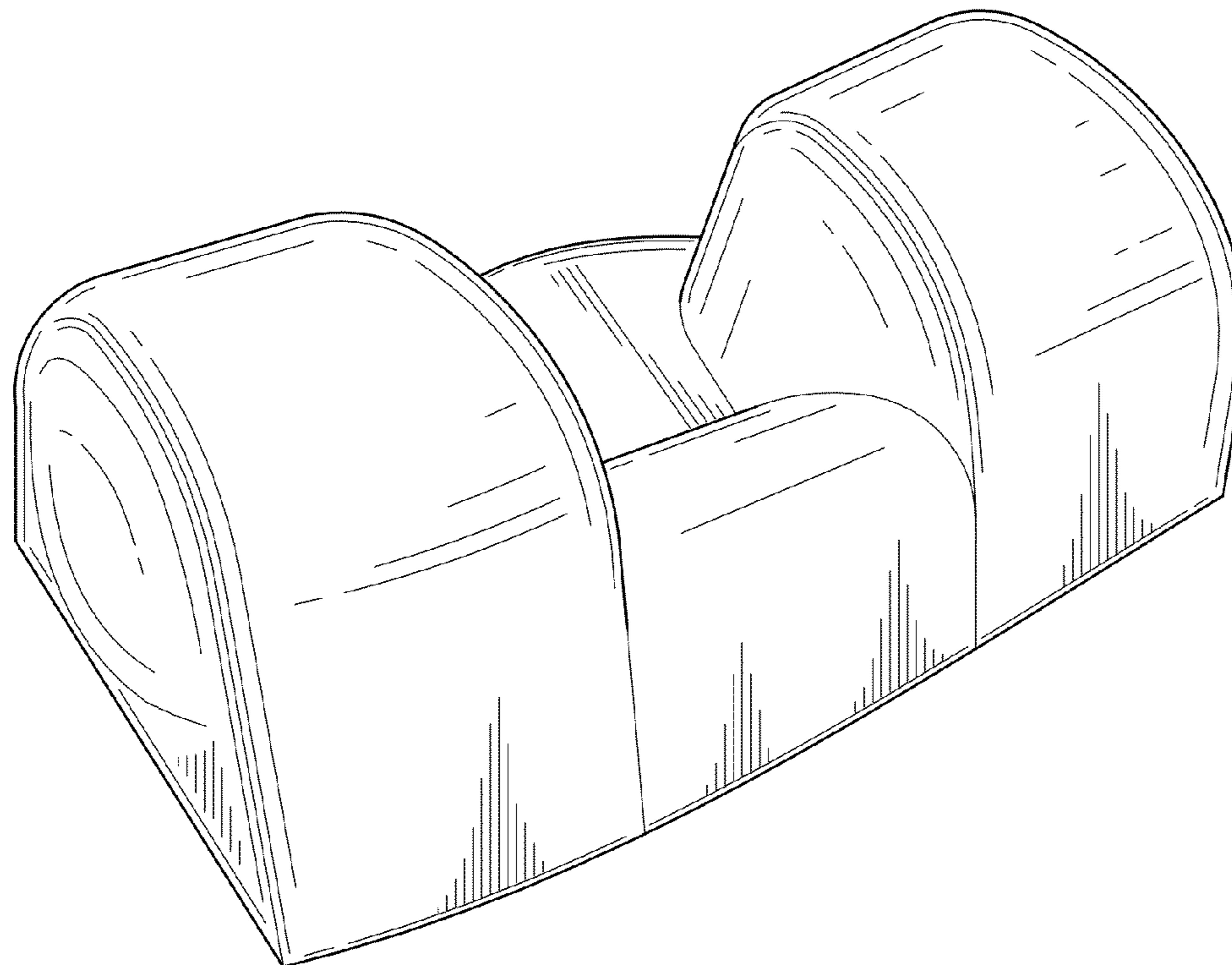


FIG. 1

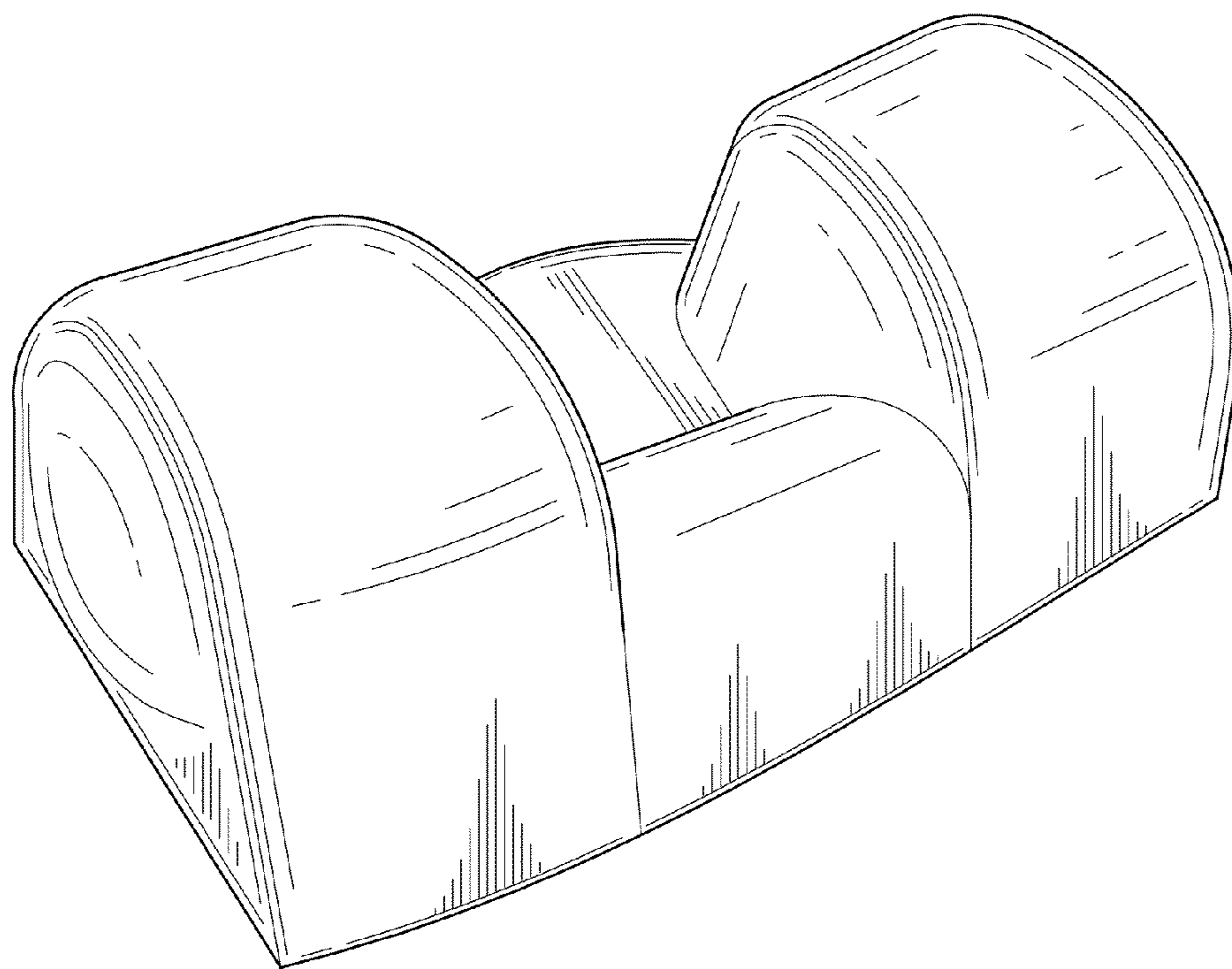


FIG. 2

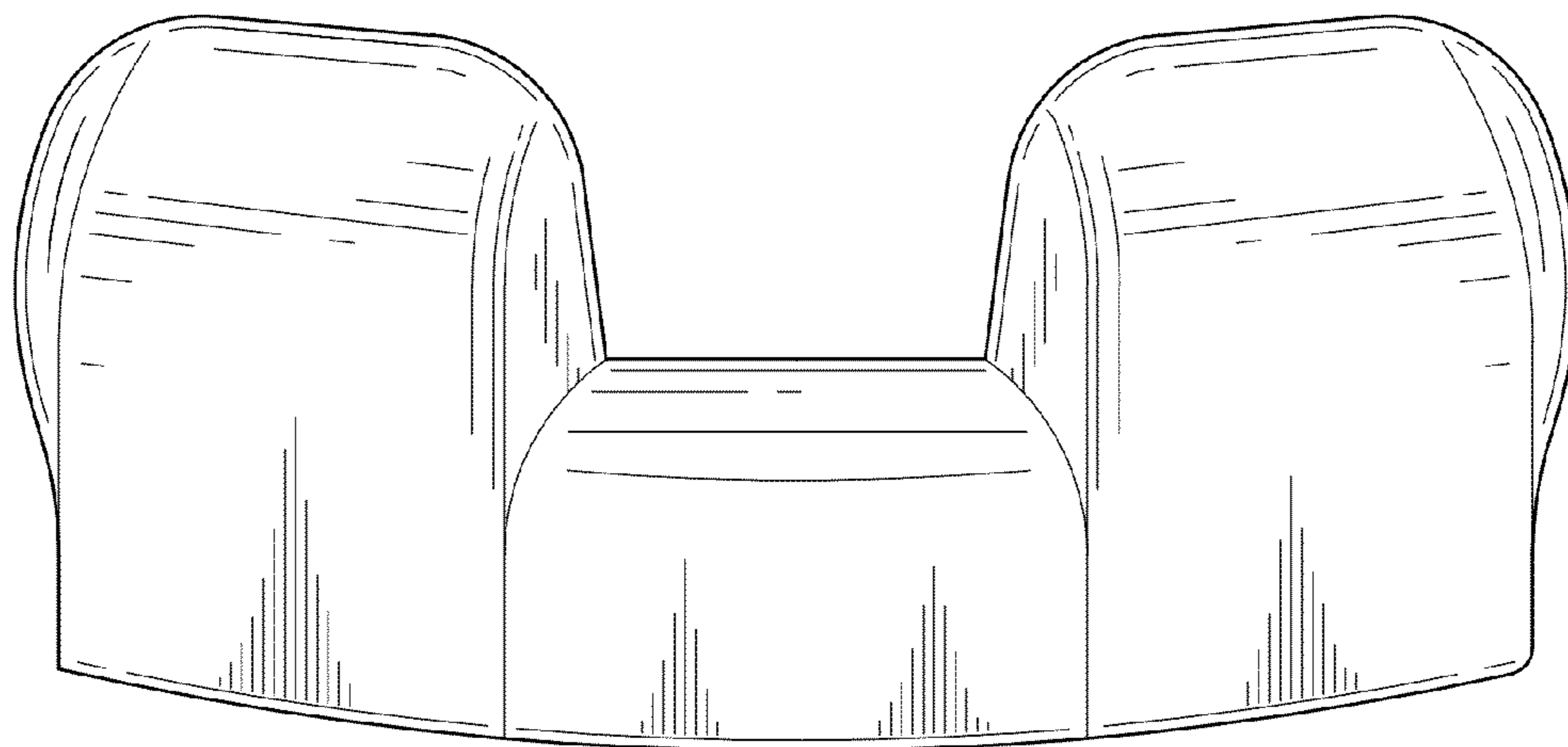


FIG. 3

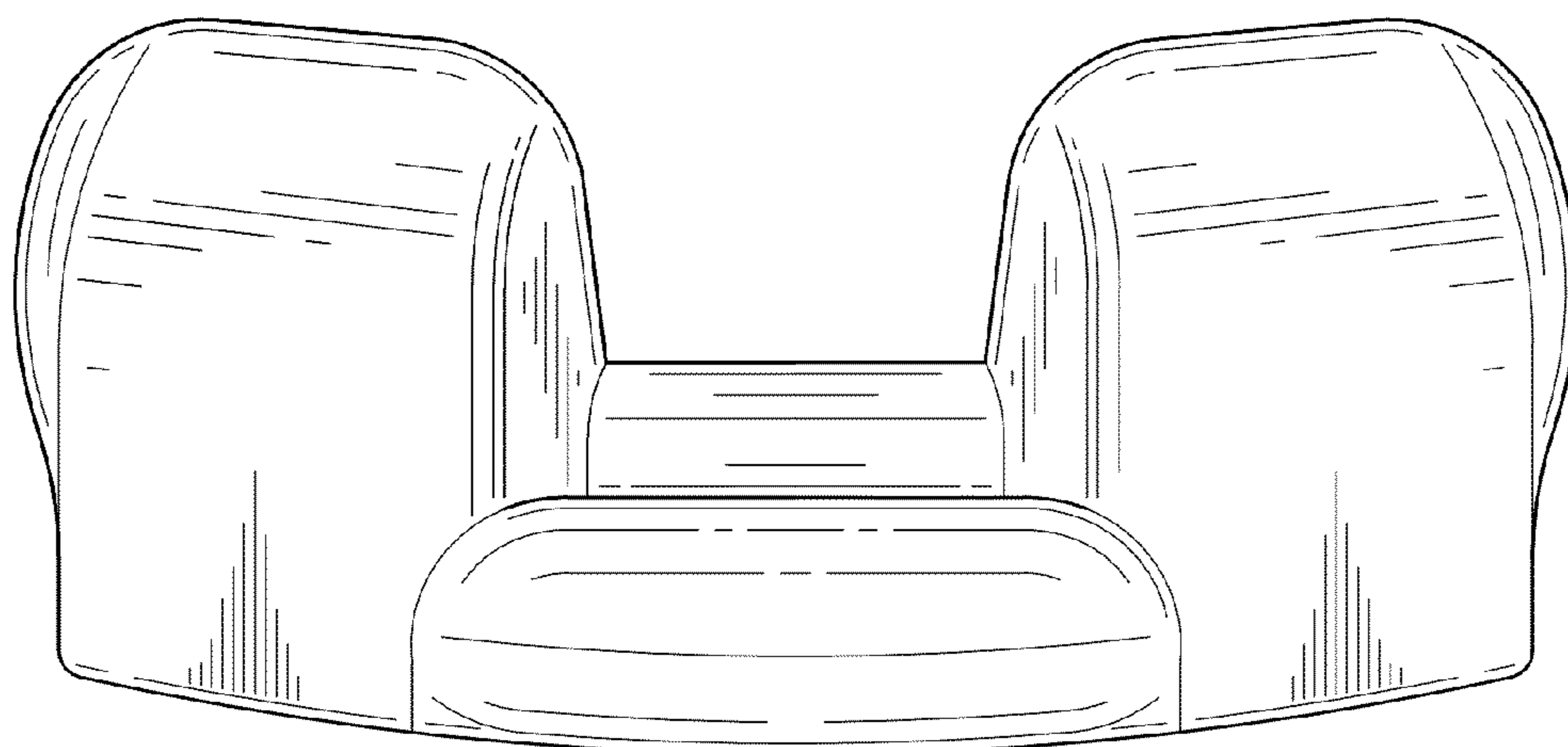


FIG. 4

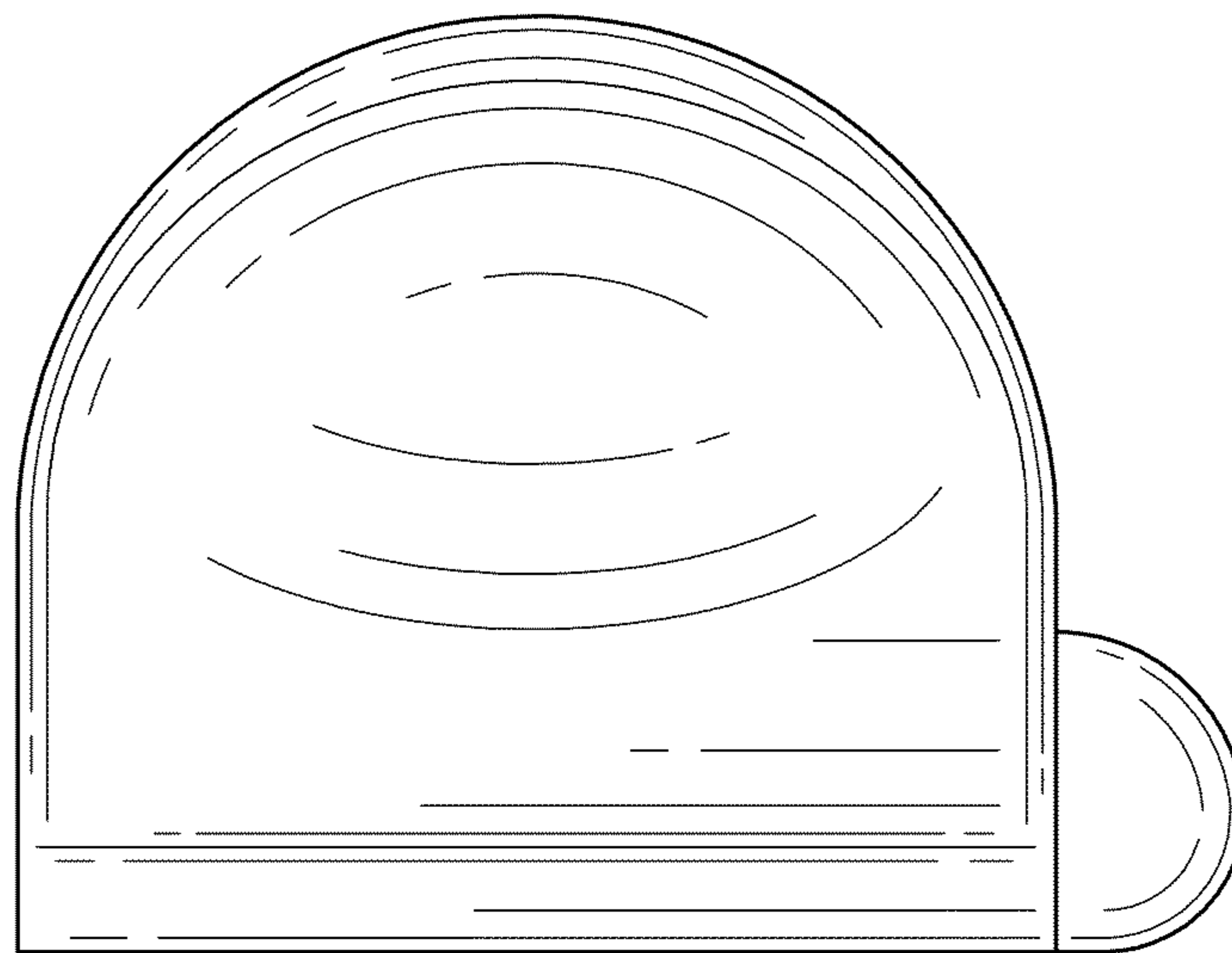


FIG. 5

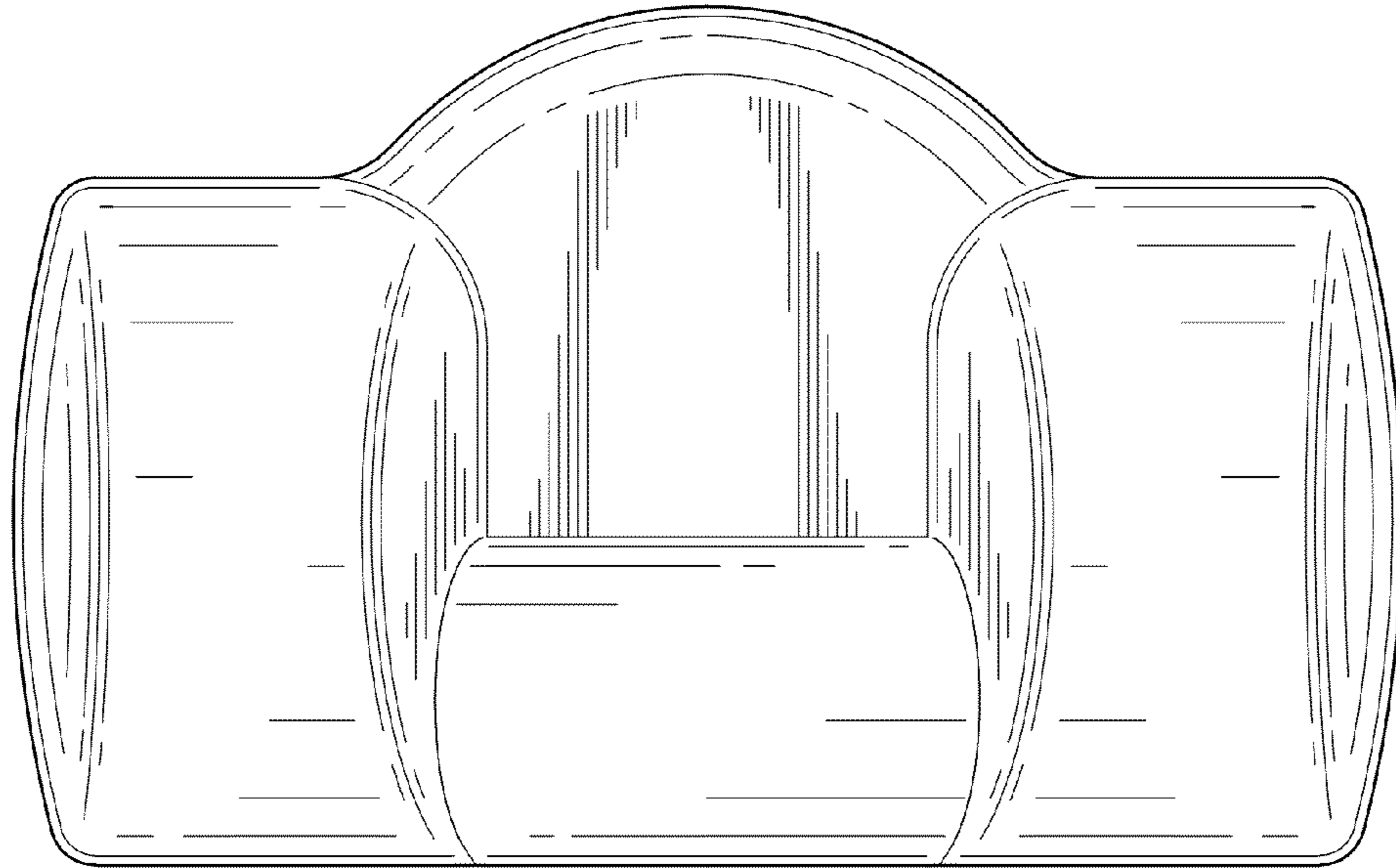


FIG. 6

