



US00D711665S

(12) **United States Design Patent**  
**Mattei**

(10) **Patent No.:** **US D711,665 S**  
(45) **Date of Patent:** **\*\* Aug. 26, 2014**

(54) **CONTAINER FOR ARTICLES STORAGE**

(76) Inventor: **Faith Mattei**, Myrtle Beach, SC (US)

(\*\*) Term: **14 Years**

(21) Appl. No.: **29/428,306**

(22) Filed: **Jul. 30, 2012**

(51) **LOC (10) Cl.** ..... **06-04**

(52) **U.S. Cl.**  
USPC ..... **D6/567**

(58) **Field of Classification Search**

USPC ..... D6/512-514, 552, 553, 556, 567, 571,  
D6/466, 523, 525, 323, 574; D8/349, 354,  
D8/367, 373, 380, 381; D28/73, 86;  
D19/75, 77, 81, 100; 108/33, 42;  
211/13.1, 10, 85.1, 85.3, 85.6, 85.9,  
211/14, 30, 32, 41.12, 69.5, 70.1, 70.6,  
211/70.7, 60.1, 71.01, 72, 74, 75, 86.01,  
211/87.01, 88.04, 134, 135; 248/37.3, 49,  
248/200, 251, 300, 309.1, 311.2, 314, 694,  
248/902, 907; D3/201, 304

See application file for complete search history.

(56) **References Cited**

**U.S. PATENT DOCUMENTS**

3,157,343 A 11/1964 Kendall  
3,987,898 A 10/1976 Crane  
D254,896 S 5/1980 Moore  
4,342,389 A 8/1982 Bethune et al.  
D267,843 S \* 2/1983 Sundberg ..... D6/574

4,402,404 A 9/1983 Nauheimer  
D283,189 S \* 4/1986 Hampton ..... D6/574  
D296,162 S \* 6/1988 Allen et al. .... D6/553  
5,176,252 A 1/1993 Davis  
D336,428 S 6/1993 Buratto  
D364,524 S 11/1995 Bassler et al.  
D396,591 S \* 8/1998 Vasilakis ..... D6/567  
D419,350 S \* 1/2000 Baron ..... D6/553  
D422,828 S \* 4/2000 Kanfer et al. .... D6/567  
D437,698 S \* 2/2001 Cassler ..... D6/323  
D468,638 S 1/2003 Nogami et al.  
D581,159 S 11/2008 Neilsen  
D606,314 S 12/2009 Neilsen  
D642,904 S 8/2011 Turvey

\* cited by examiner

*Primary Examiner* — Brian N Vinson

(74) *Attorney, Agent, or Firm* — P. Jeff Martin; The Law Firm of P. Jeffrey Martin, LLC

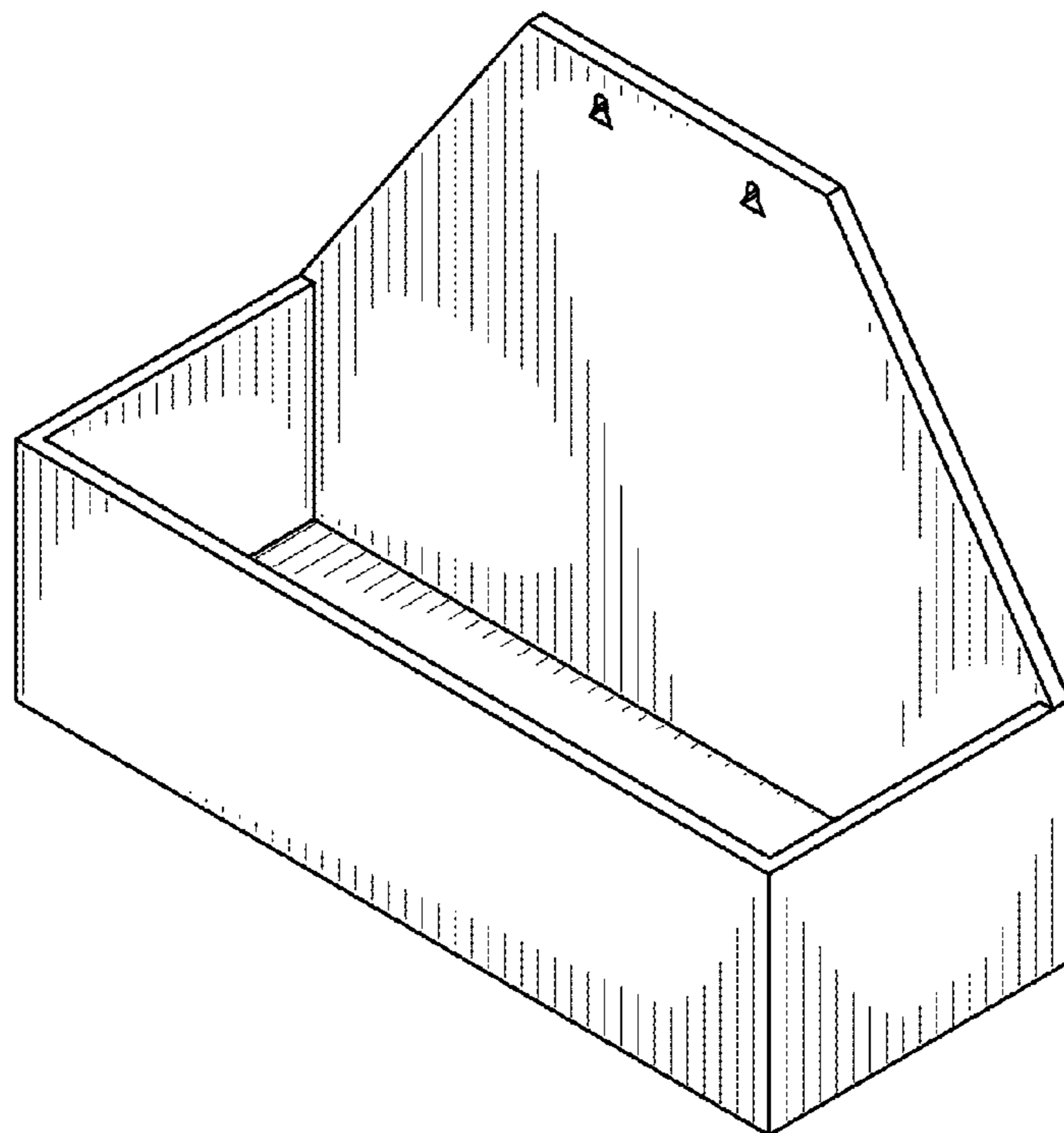
(57) **CLAIM**

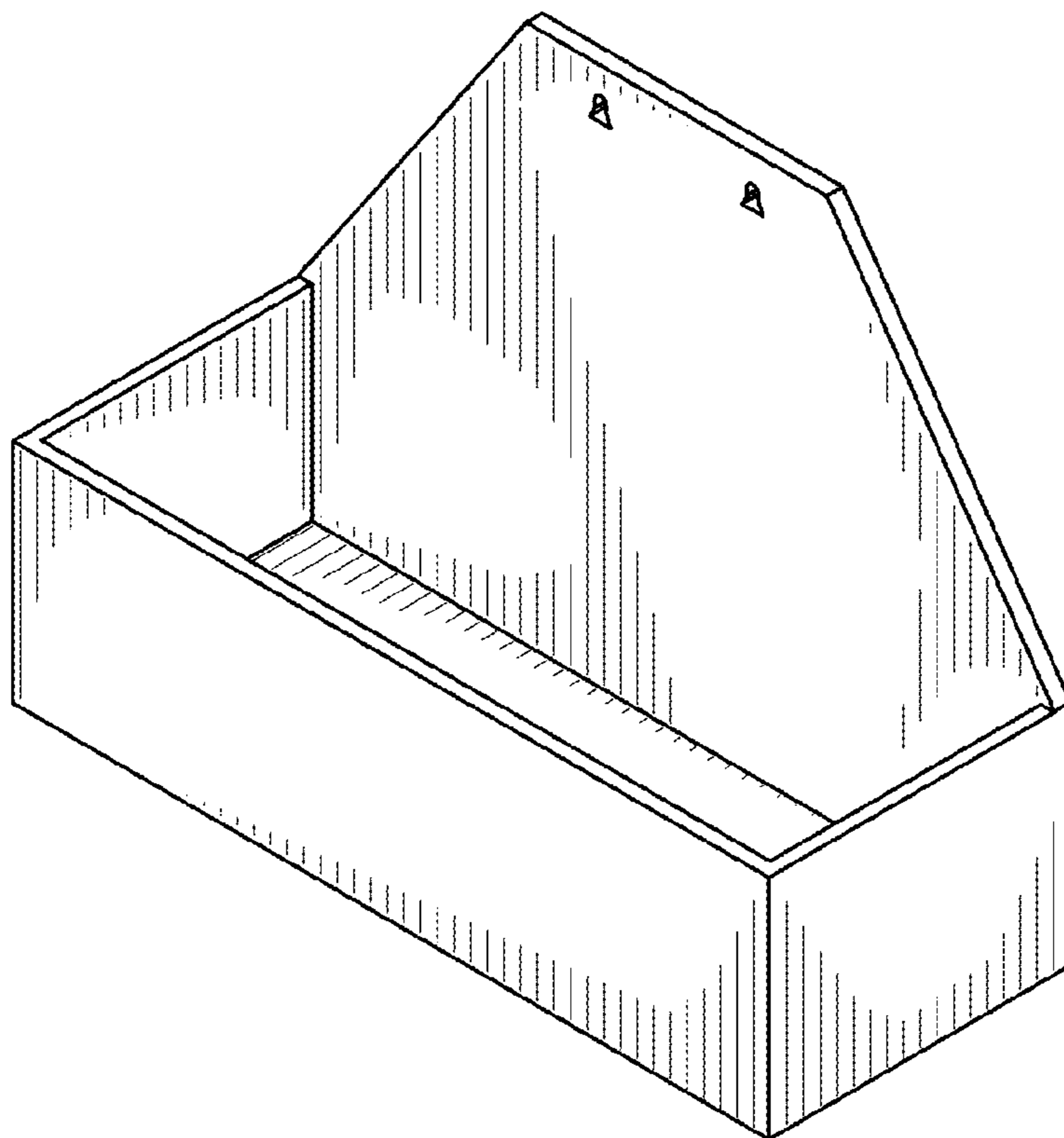
The ornamental design for a container for articles storage, as shown and described.

**DESCRIPTION**

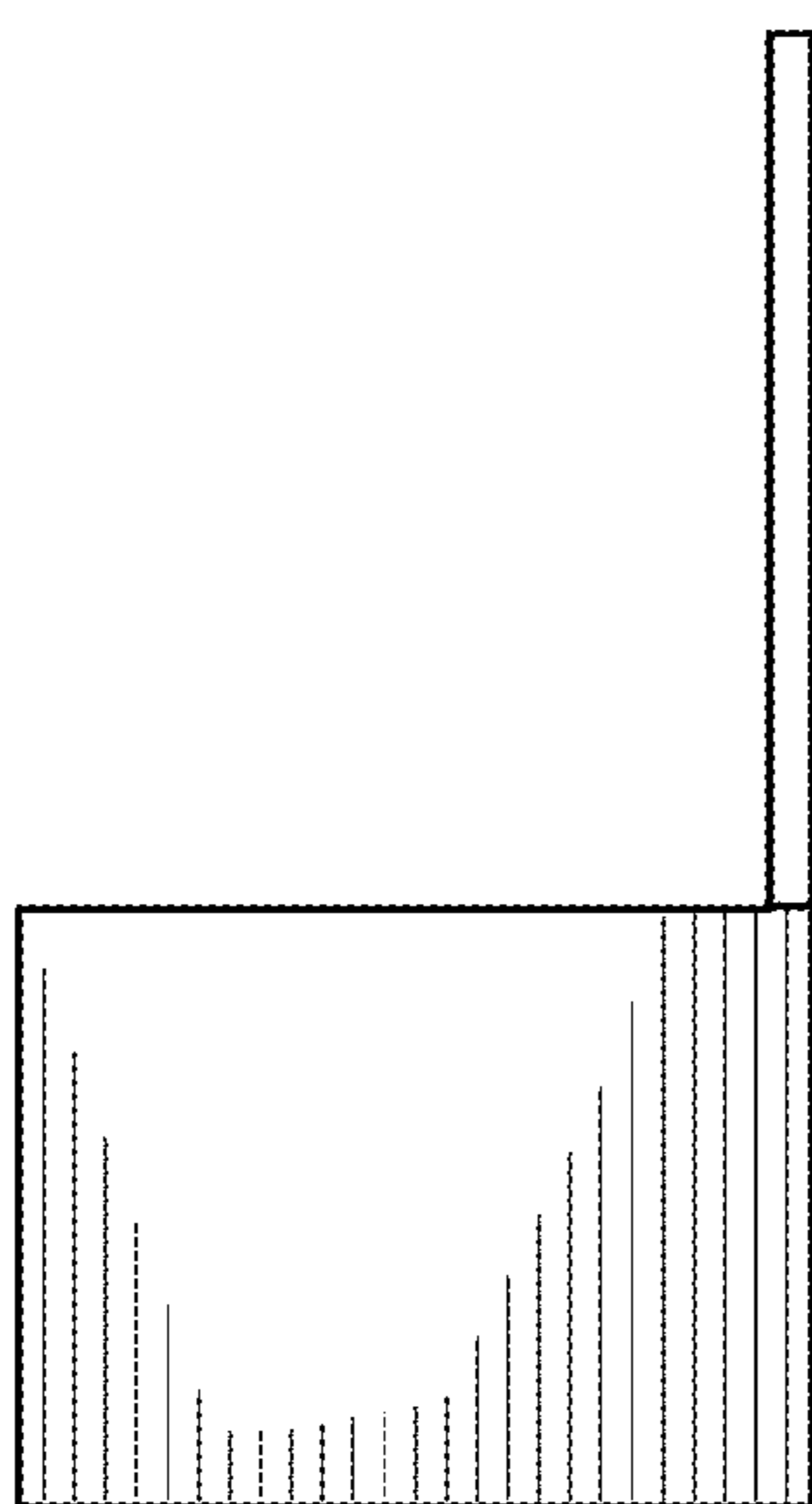
FIG. 1 is a front, right perspective view of a container for articles storage showing my new design;  
FIG. 2 is a right side view thereof;  
FIG. 3 is a left side view thereof;  
FIG. 4 is a front view thereof;  
FIG. 5 is a rear view of thereof;  
FIG. 6 is a top end view thereof; and,  
FIG. 7 is a bottom end view thereof.

**1 Claim, 3 Drawing Sheets**

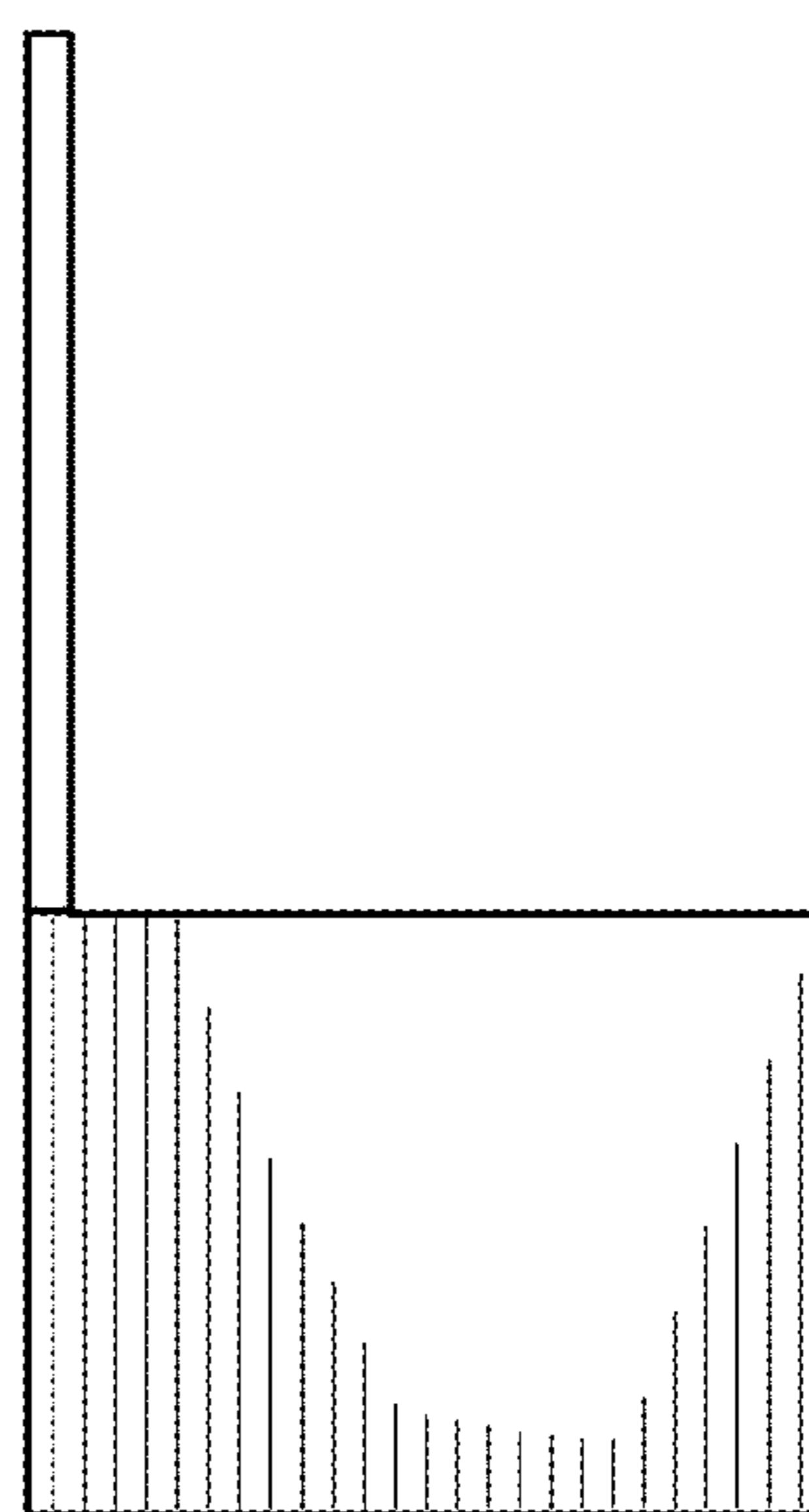




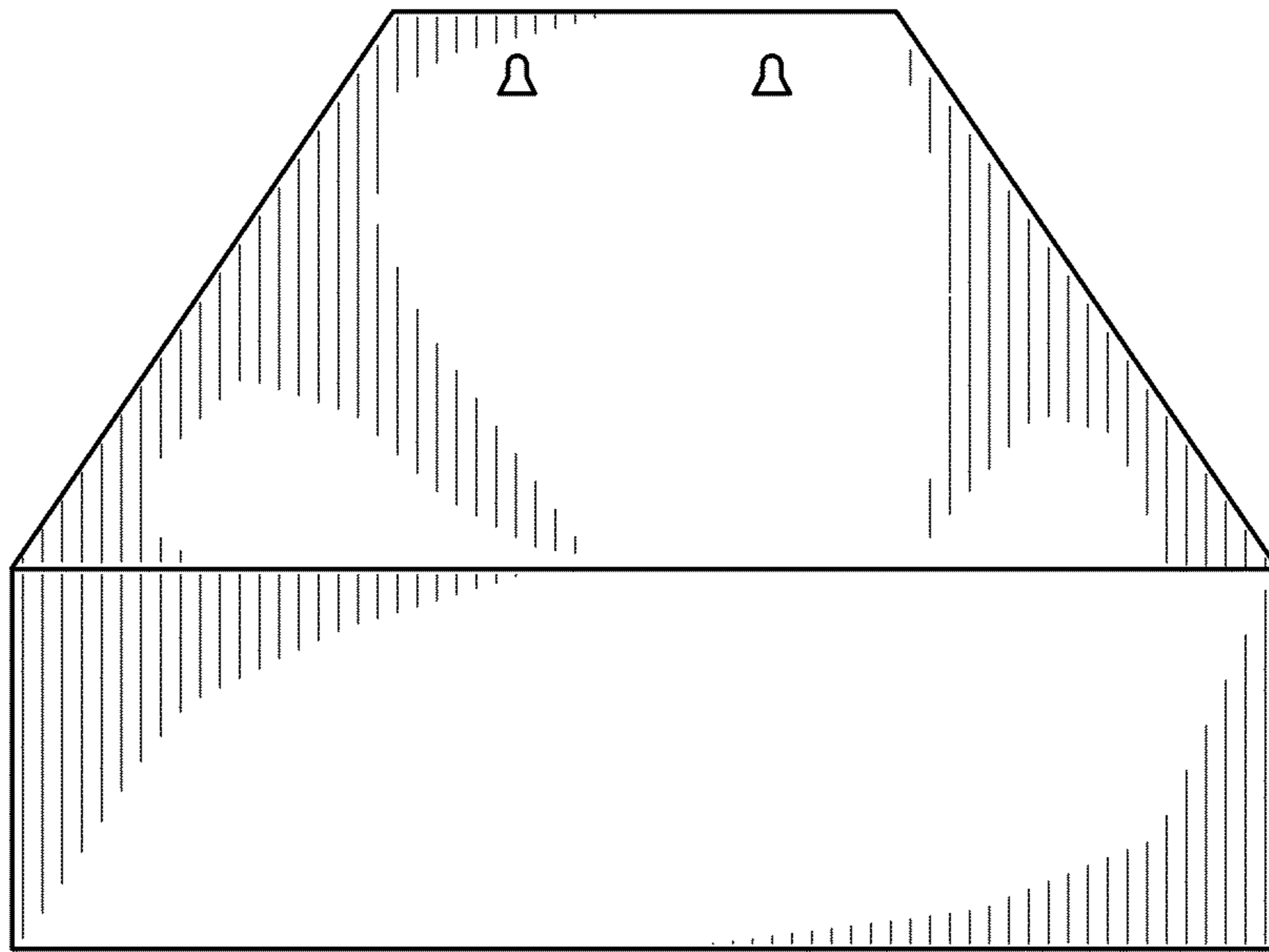
*FIG. 1*



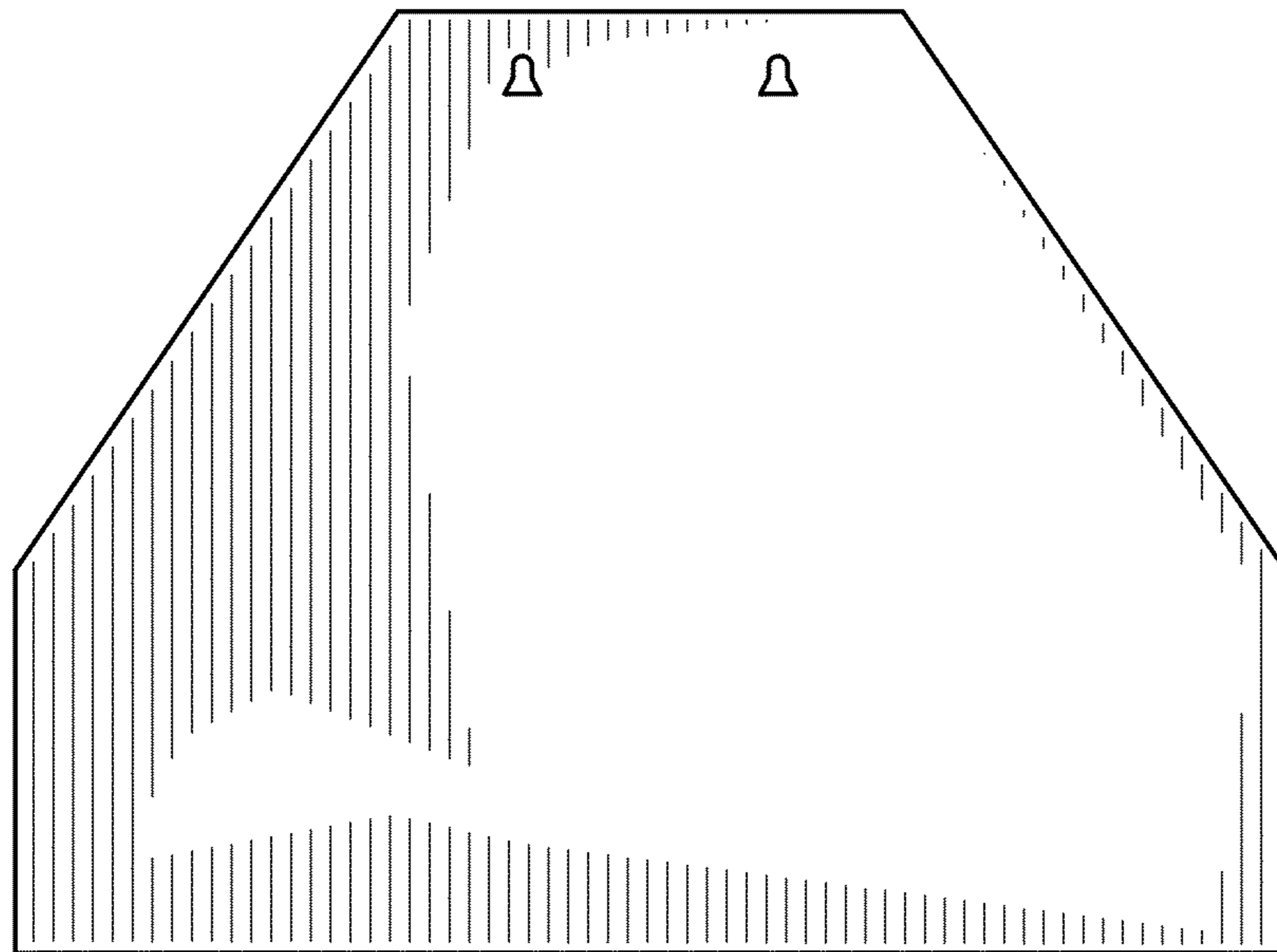
*FIG. 2*



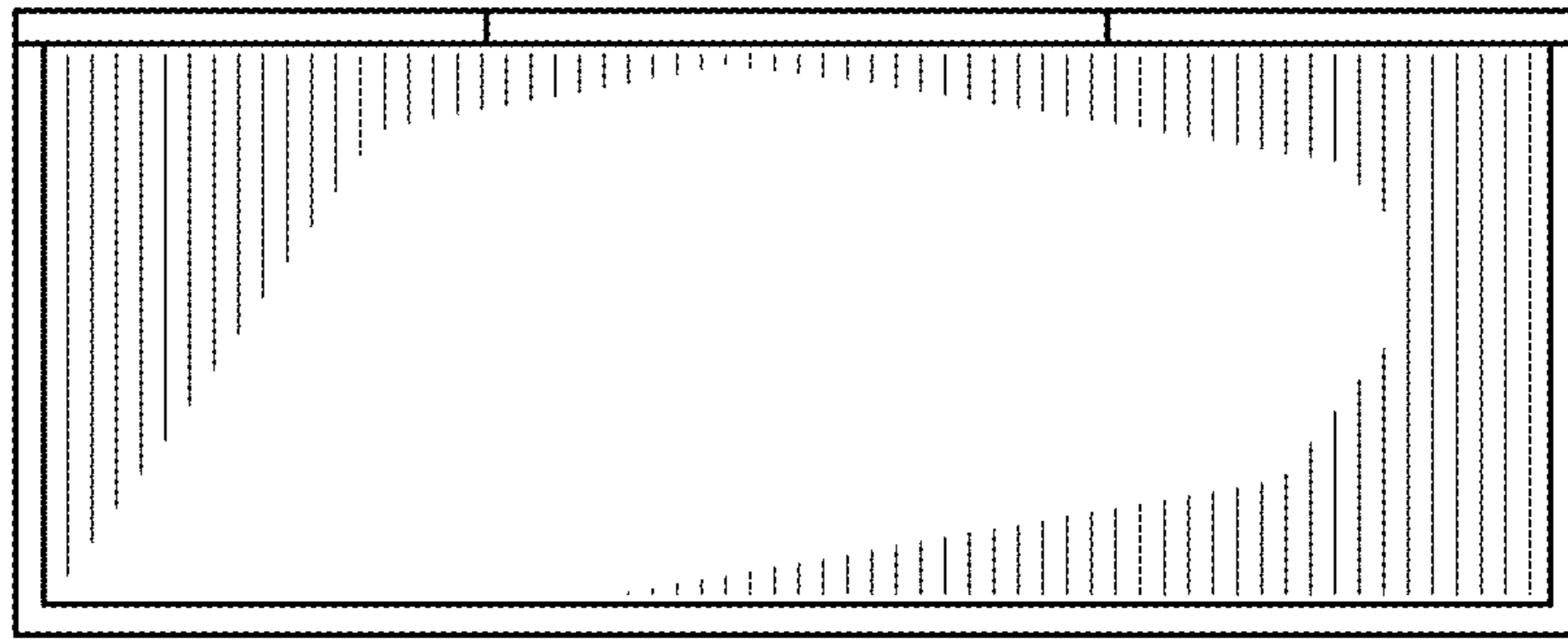
*FIG. 3*



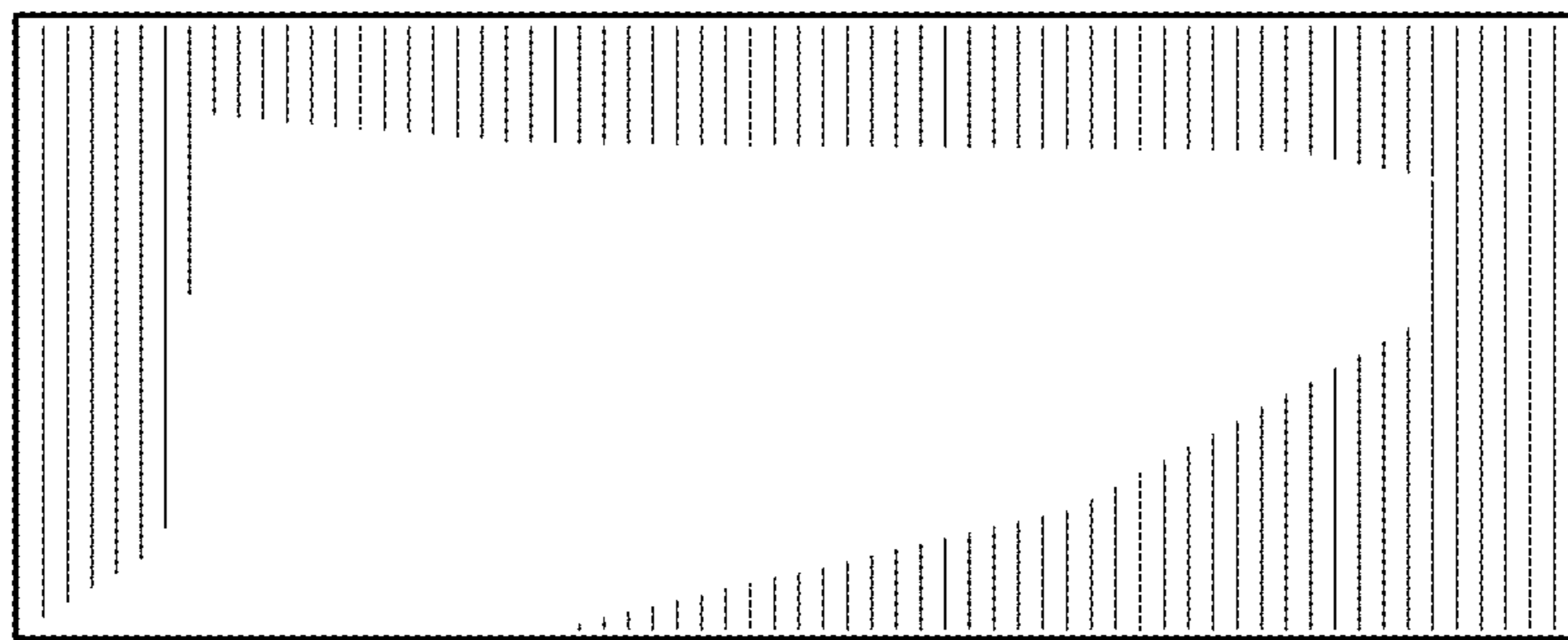
*FIG. 4*



*FIG. 5*



*FIG. 6*



*FIG. 7*