



US00D711664S

(12) **United States Design Patent**
Goodman et al.

(10) **Patent No.:** **US D711,664 S**

(45) **Date of Patent:** **** Aug. 26, 2014**

(54) **PAPER TOWEL HOLDER**

(71) Applicant: **Spectrum Diversified Designs, Inc.**,
Streetsboro, OH (US)

(72) Inventors: **Sheldon H. Goodman**, Solon, OH (US);
Phaysouk Xayoiphonh, Akron, OH
(US)

(73) Assignee: **Spectrum Diversified Designs, Inc.**,
Streetsboro, OH (US)

(**) Term: **14 Years**

(21) Appl. No.: **29/444,496**

(22) Filed: **Jan. 31, 2013**

(51) **LOC (10) Cl.** **20-02**

(52) **U.S. Cl.**
USPC **D6/521**

(58) **Field of Classification Search**
USPC D6/518-523; 206/389, 391; 211/13.1,
211/59.1, 45, 890.1; 242/570, 590, 597.7;
248/309.1, 309.2

See application file for complete search history.

(56) **References Cited**

U.S. PATENT DOCUMENTS

D390,054 S *	2/1998	Goodman	D6/522
D628,836 S *	12/2010	Guindi	D6/521
D660,629 S *	5/2012	Goodman et al.	D6/521

* cited by examiner

Primary Examiner — Brian N Vinson

(74) *Attorney, Agent, or Firm* — Renner, Otto, Boisselle &
Sklar, LLP

(57) **CLAIM**

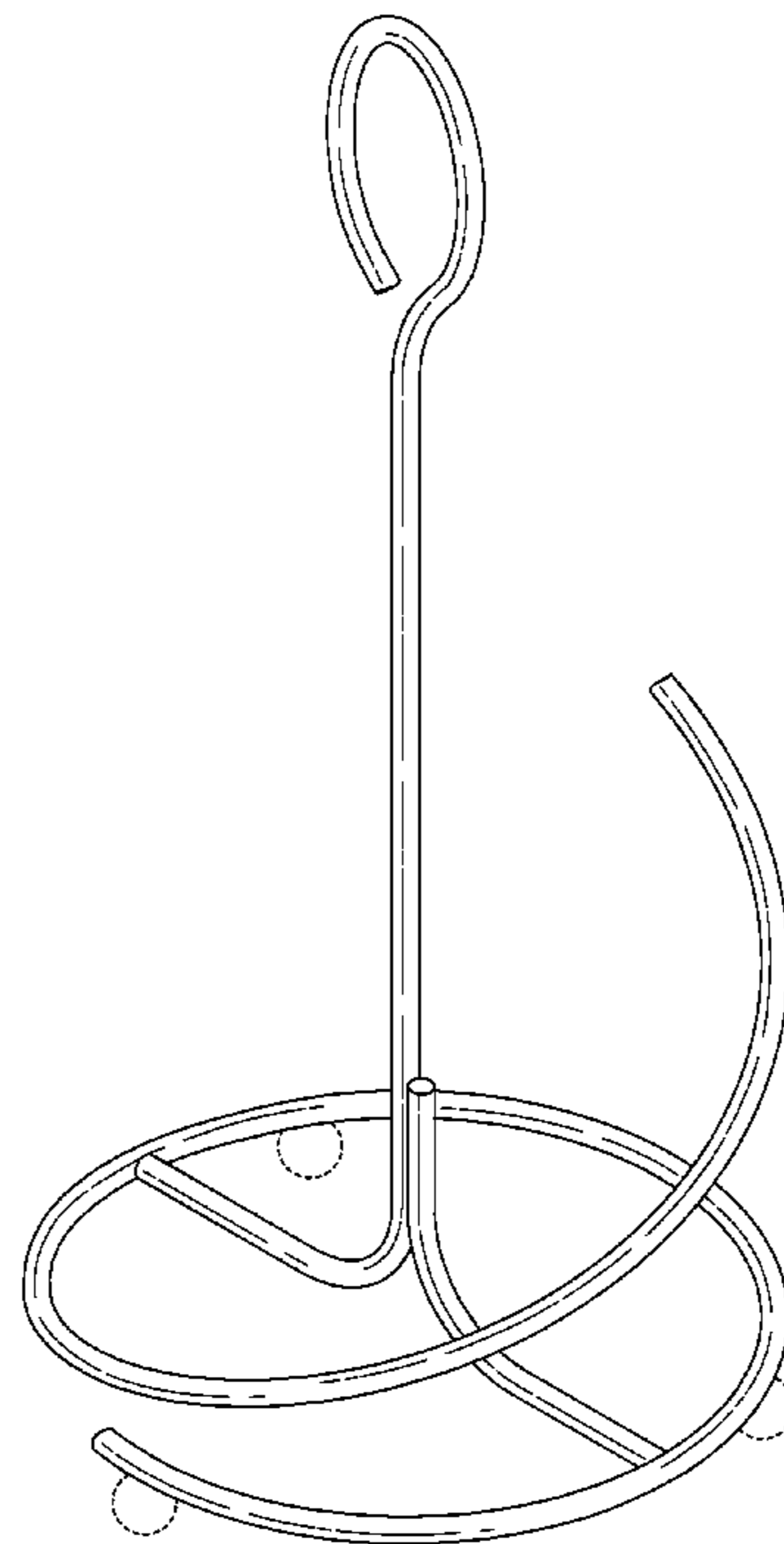
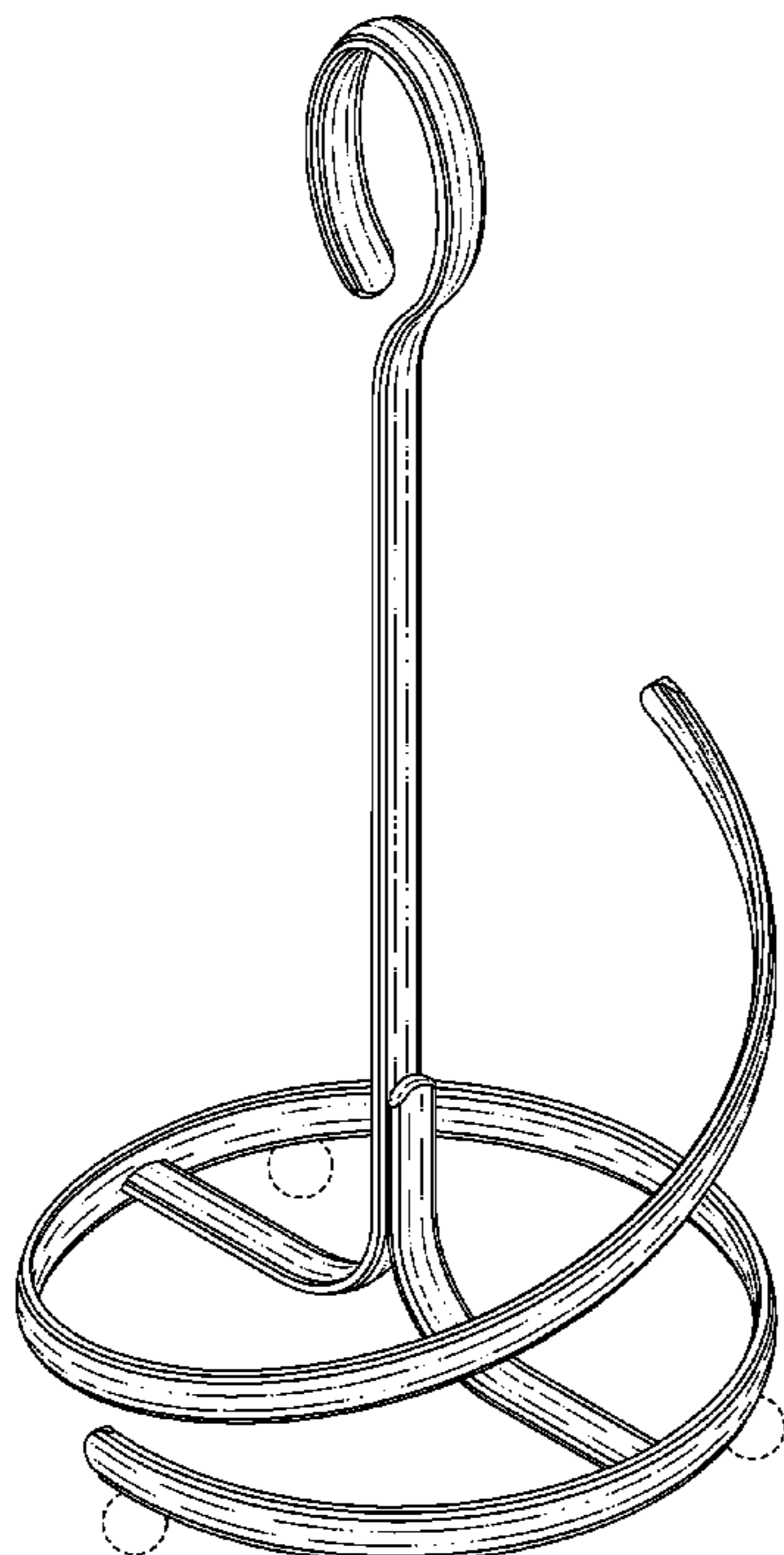
The ornamental design for a paper towel holder, as shown and described.

DESCRIPTION

FIG. 1 is a perspective view of a first embodiment of a paper towel holder showing my new design;
FIG. 2 is a front view of the paper towel holder;
FIG. 3 is a rear view of the paper towel holder;
FIG. 4 is a right side view of the paper towel holder;
FIG. 5 is a left side view of the paper towel holder;
FIG. 6 is a top view of the paper towel holder;
FIG. 7 is a bottom view of the paper towel holder; and
FIG. 8 is a cross-sectional view of the paper towel holder, taken along the line 8-8 of FIG. 6; and,
FIG. 9 is a perspective view of a second embodiment of the paper towel holder, which is the same as the first embodiment except for the shape of the wire.

The broken lines in the drawing illustrate environmental matter and form no part of the claimed design.

1 Claim, 5 Drawing Sheets



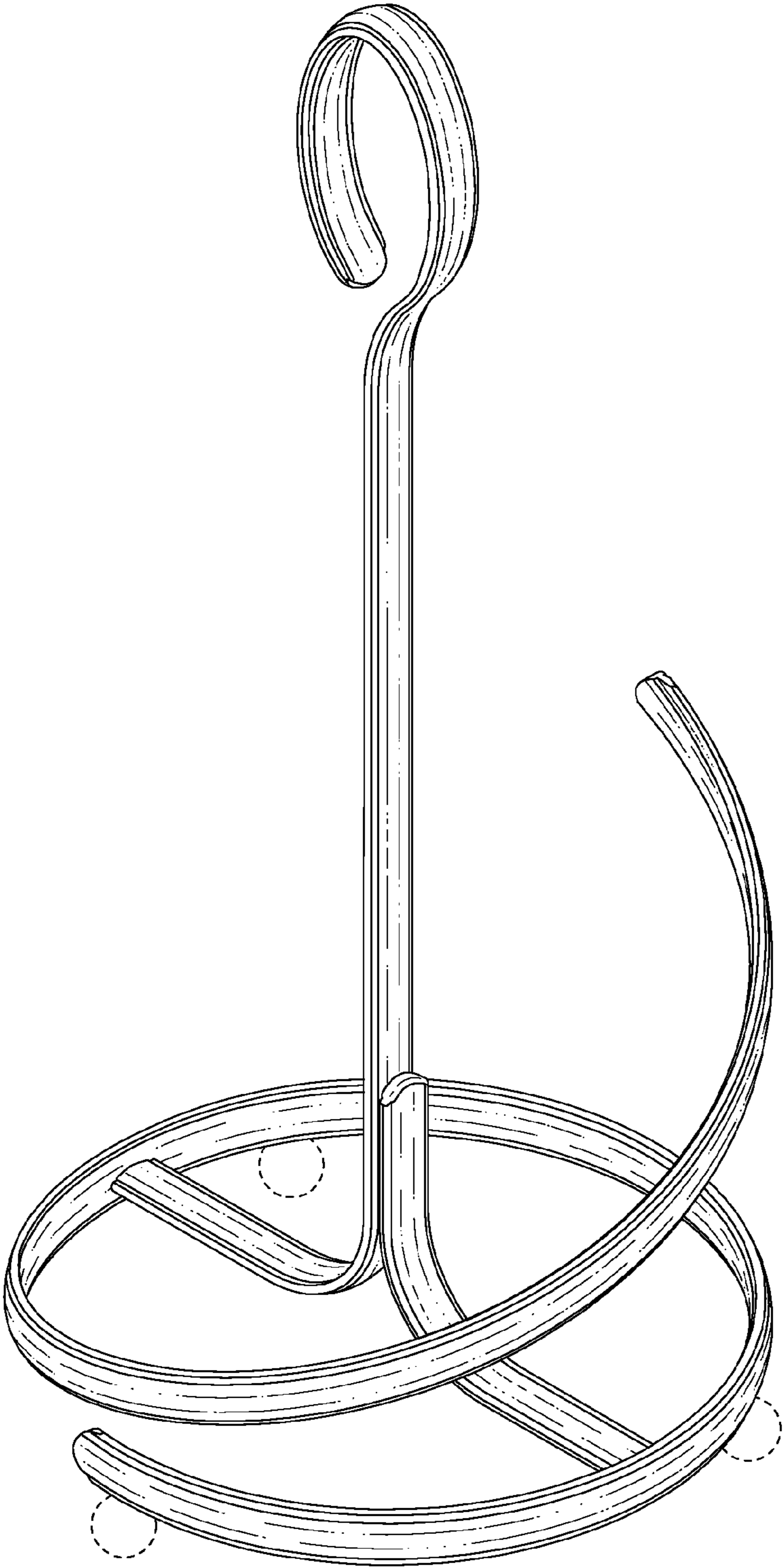


FIG 1

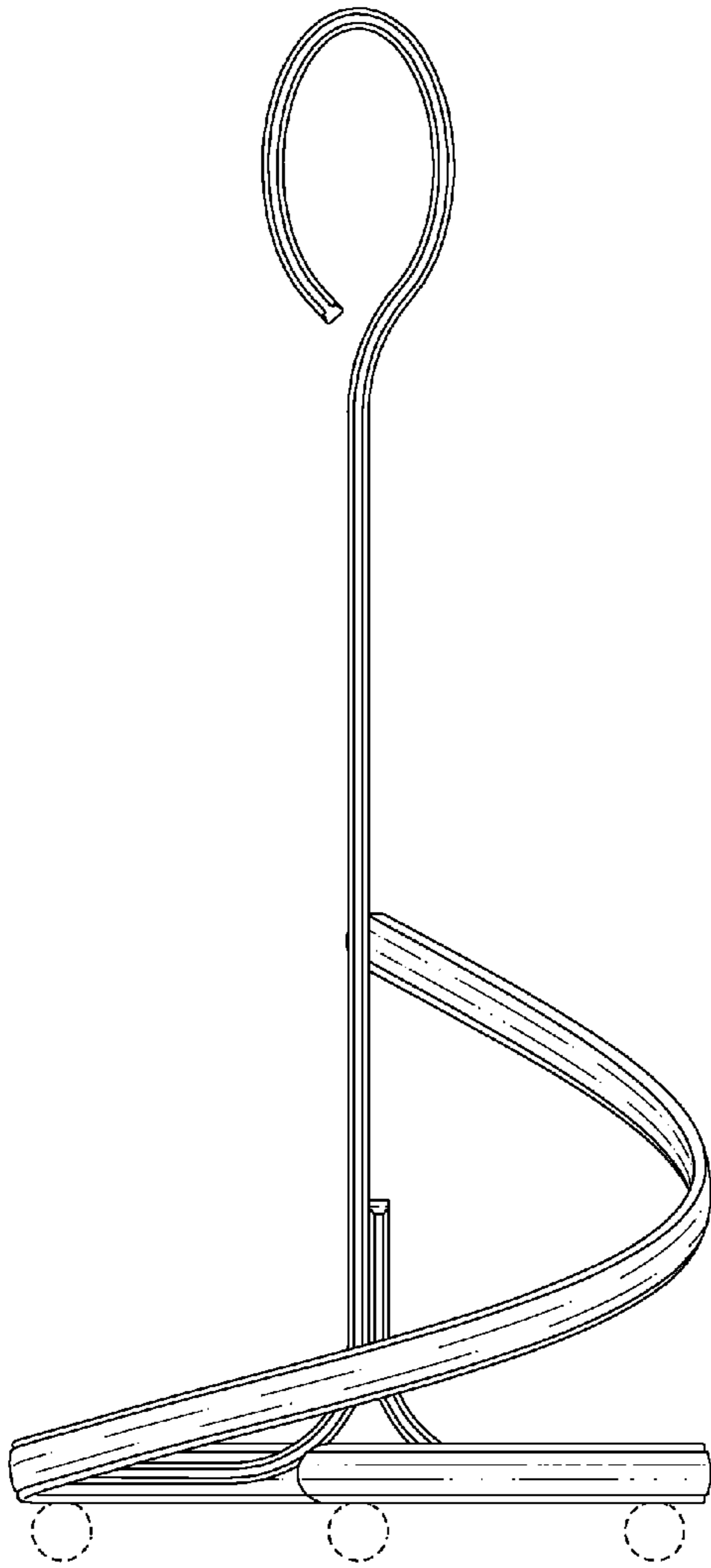


FIG 2

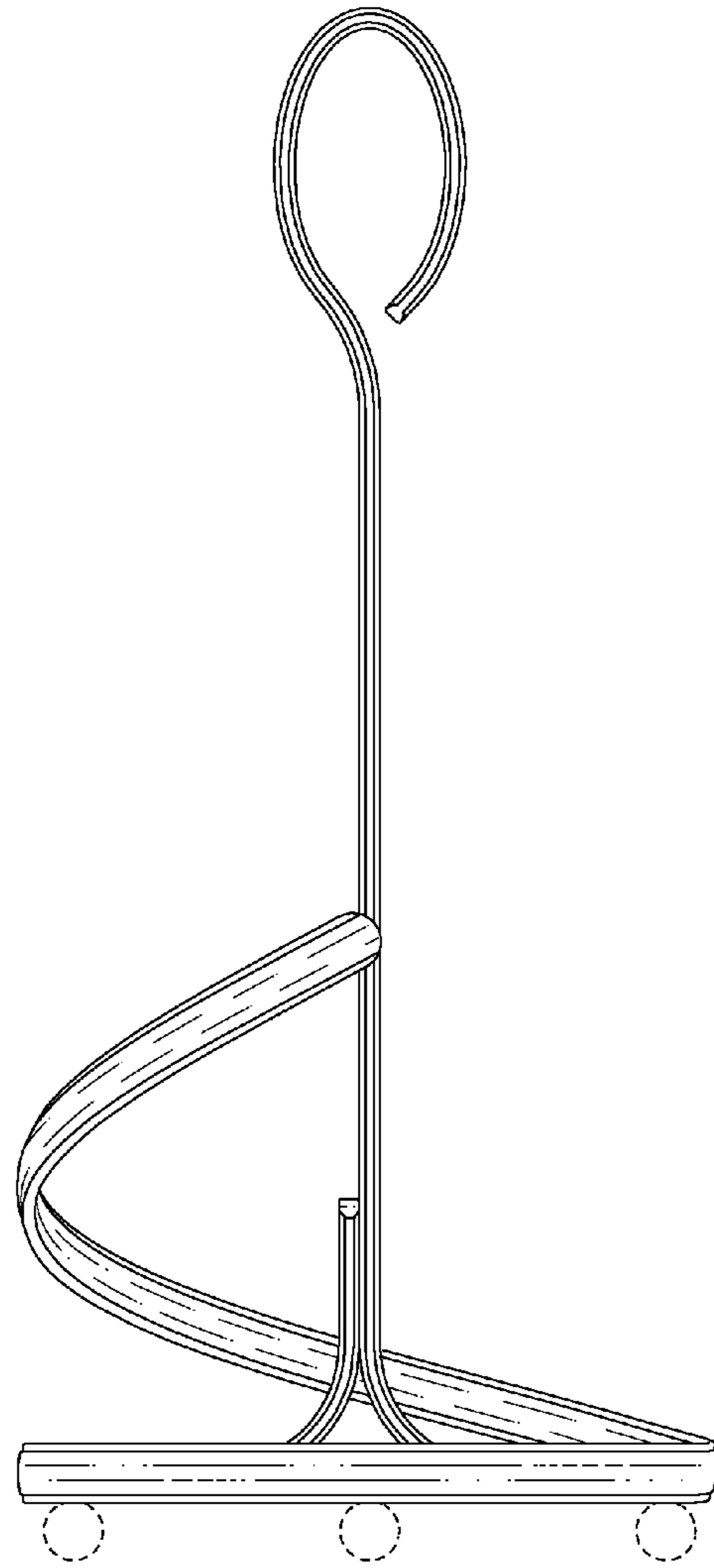


FIG 3

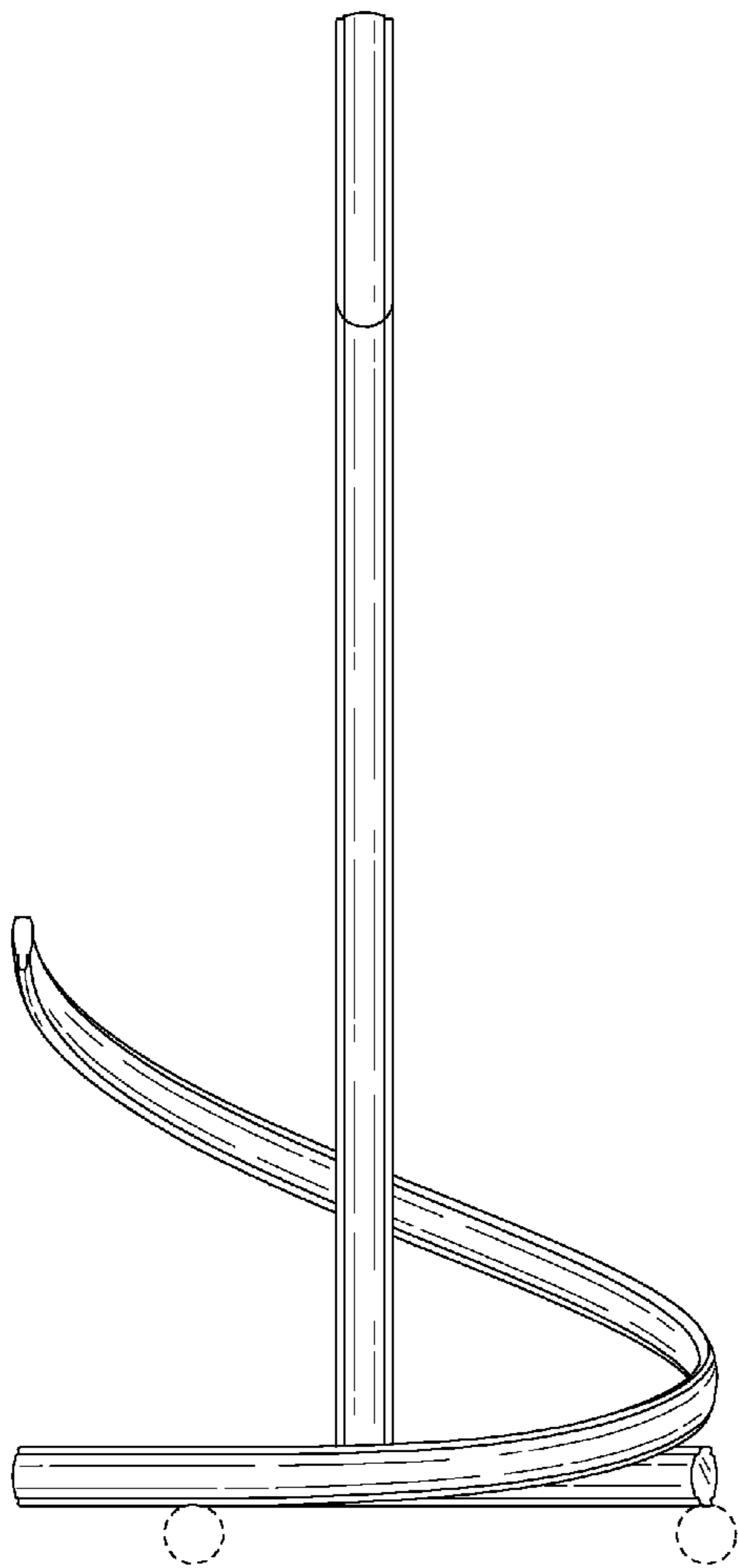


FIG 4

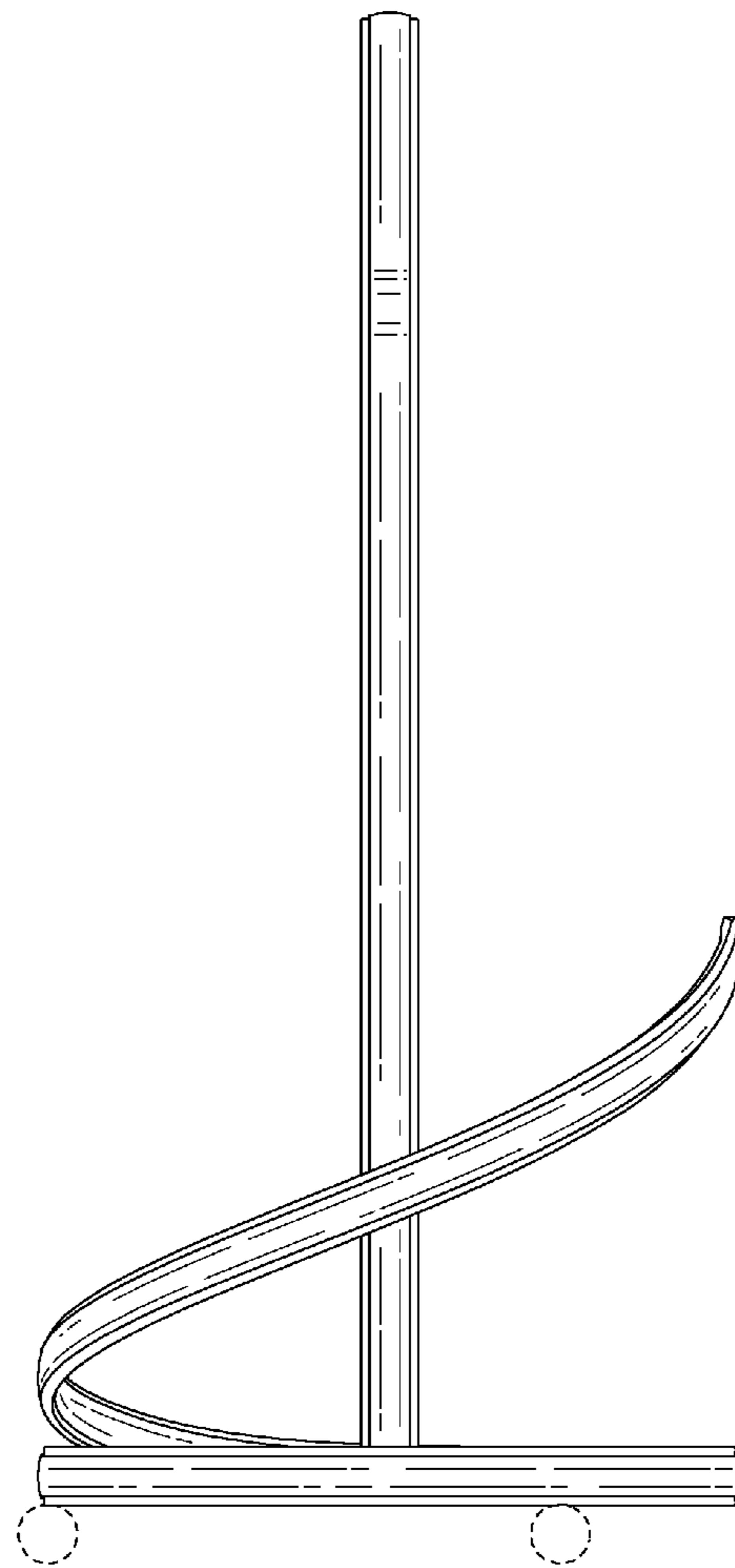


FIG 5

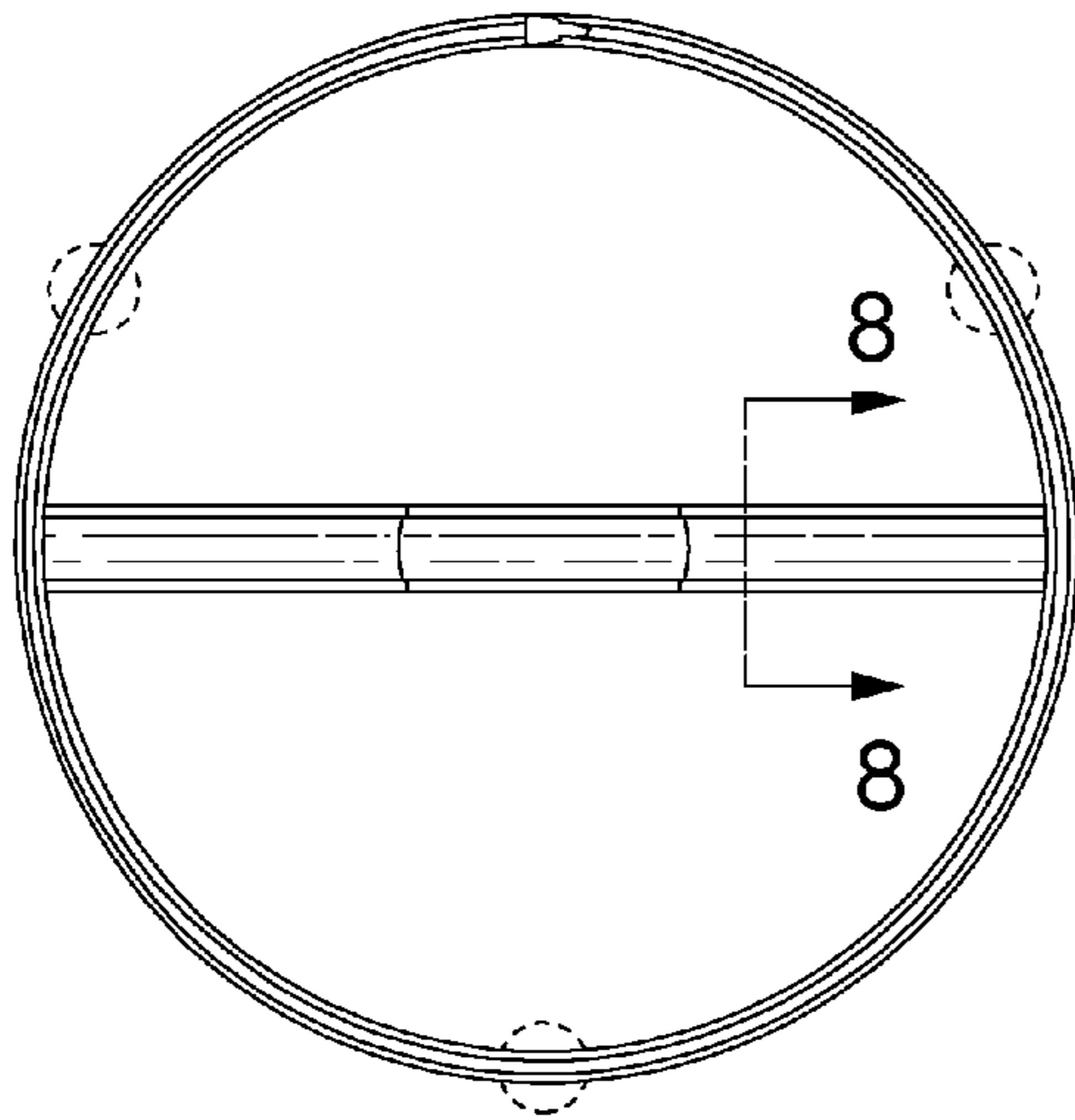


FIG 6

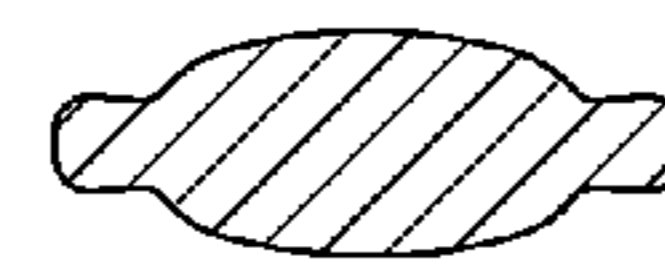


FIG 8

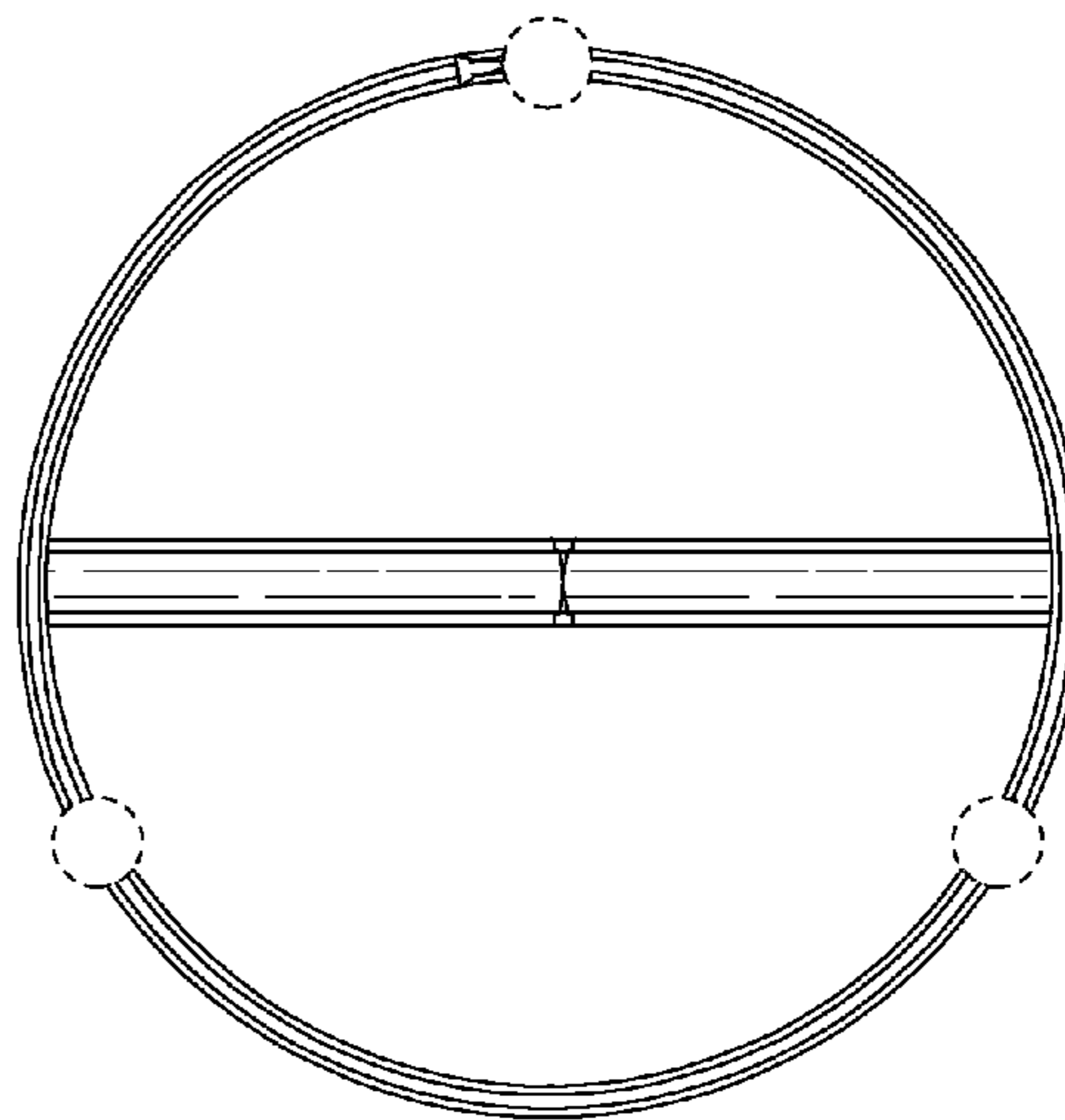


FIG 7

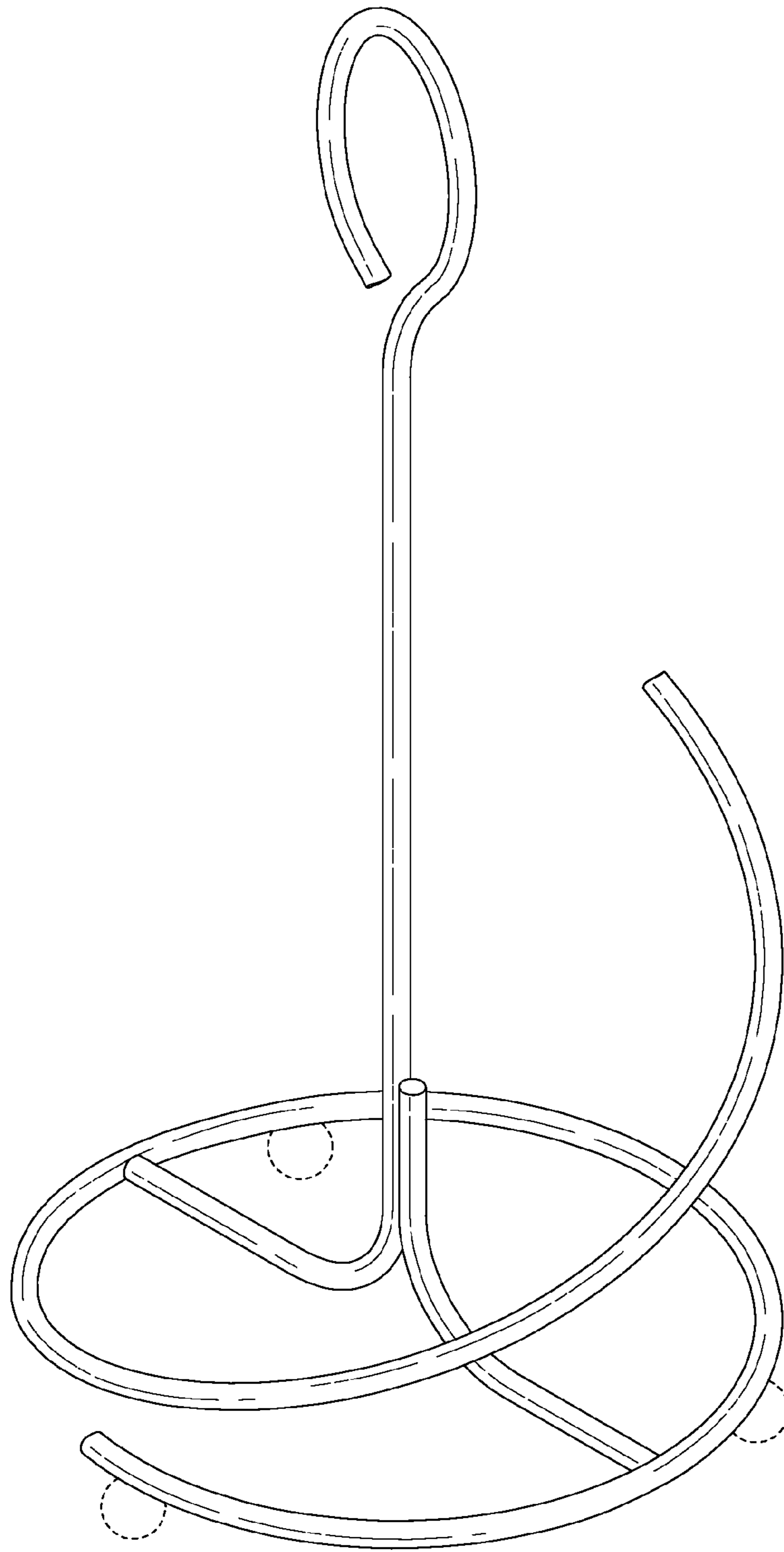


FIG 9