



US00D711661S

(12) **United States Design Patent**
Vanderminden

(10) **Patent No.:** **US D711,661 S**

(45) **Date of Patent:** **** Aug. 26, 2014**

- (54) **SEAT**
- (71) Applicant: **Telescope Casual Furniture, Inc.**,
Granville, NY (US)
- (72) Inventor: **William M. Vanderminden**,
Queensbury, NY (US)
- (73) Assignee: **Telescope Casual Furniture, Inc.**,
Granville, NY (US)
- (**) Term: **14 Years**

D469,972	S	2/2003	Vanderminden, Sr.	
6,523,904	B1	2/2003	Vanderminden	
D482,885	S	12/2003	Chipman	
D491,379	S	6/2004	Vanderminden, Sr.	
D496,801	S	10/2004	Vanderminden, Sr.	
D511,628	S *	11/2005	Cross	D6/370
D513,369	S *	1/2006	Cross	D6/370
D647,318	S *	10/2011	Bogdan et al.	D6/379
D655,534	S *	3/2012	Hudson	D6/370
D660,035	S *	5/2012	Grotta et al.	D6/370
D660,039	S *	5/2012	Grotta et al.	D6/370
D675,464	S	2/2013	Pedersen et al.	
D680,346	S *	4/2013	Pedersen et al.	D6/370
2005/0017550	A1	1/2005	Vanderminden, Sr.	

- (21) Appl. No.: **29/456,722**
- (22) Filed: **Jun. 3, 2013**
- (51) **LOC (10) Cl.** **06-01**
- (52) **U.S. Cl.**
USPC **D6/370**
- (58) **Field of Classification Search**
CPC A47C 11/00; A47C 4/02; A47C 4/03;
A47C 4/024; A47C 7/16; A47C 7/22
USPC D6/334-336, 370, 374, 376, 379, 380,
D6/716, 716.1, 716.2, 716.3, 716.4;
297/232, 440.1, 440.18, 445.1, 446.1,
297/452.63
See application file for complete search history.

OTHER PUBLICATIONS

Vanderminden, Sr., Design U.S. Appl. No. 29/464,029, entitled "Seat Frame", filed Aug. 12, 2013, 10-pages.

(Continued)

Primary Examiner — Mimoso De
(74) *Attorney, Agent, or Firm* — Heslin Rothenberg Farley & Mesiti P.C.

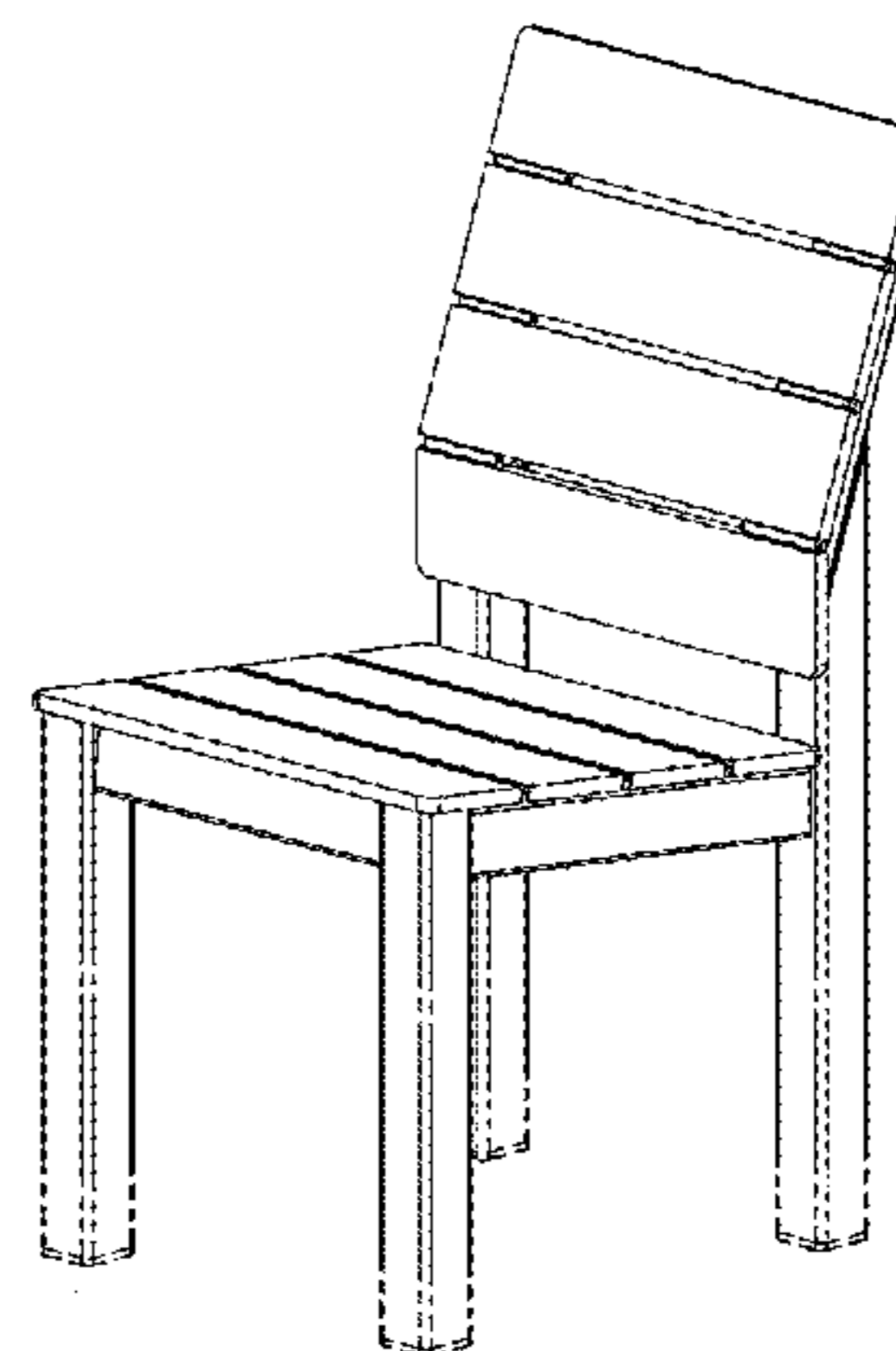
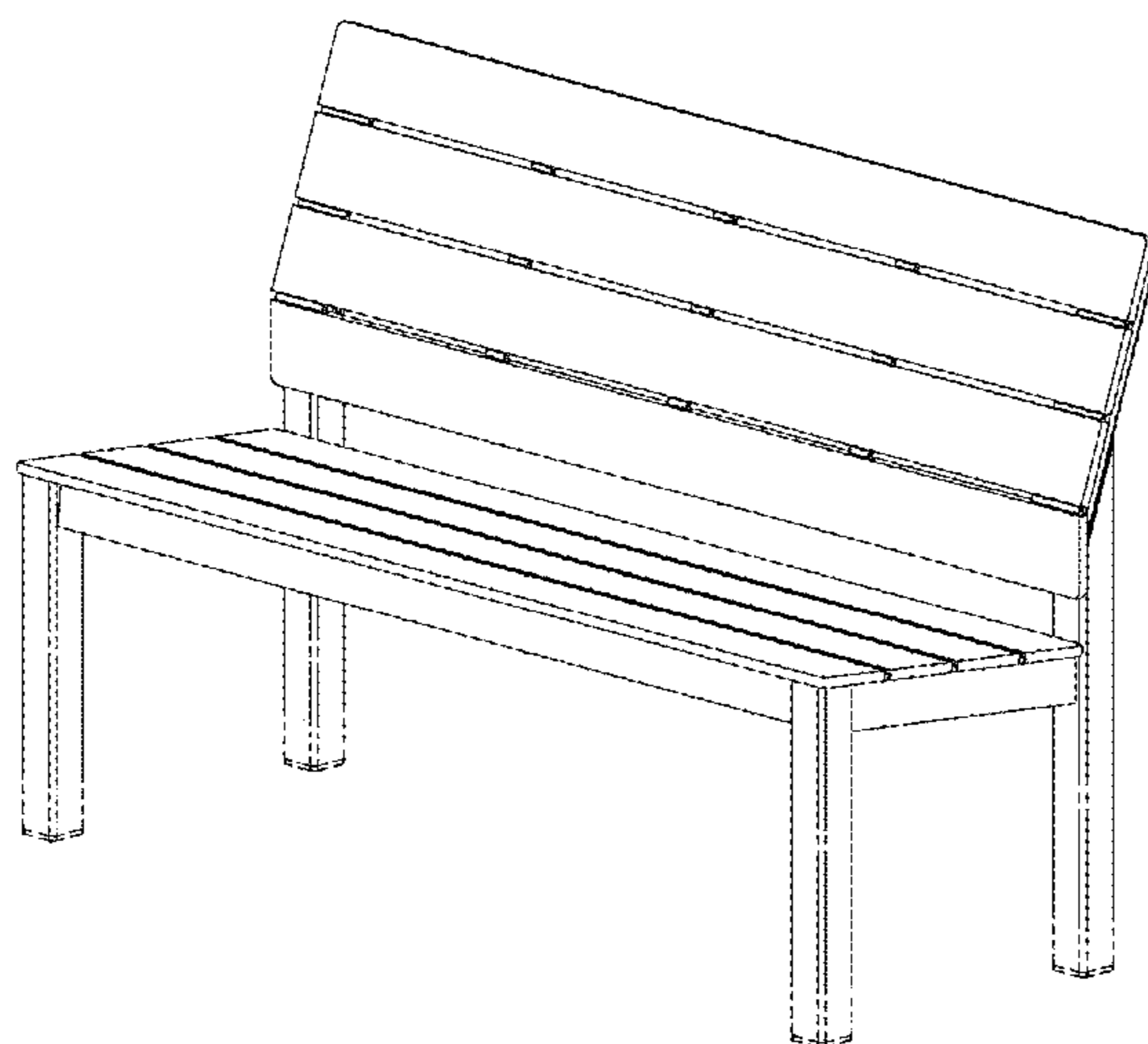
(57) **CLAIM**
The ornamental design for a seat, as shown and described.

DESCRIPTION

FIG. 1 is a perspective view of a seat in accordance with the new design;
FIG. 2 is a front elevational view thereof;
FIG. 3 is a left side elevational view thereof;
FIG. 4 is a right side elevational view thereof;
FIG. 5 is a top view thereof; and,
FIG. 6 is a second embodiment of the seat comprising the new design, the sole difference between this embodiment and the first embodiment being merely a matter of length.
The broken lines in the figures are for illustration purposes only and form no part of the claimed invention.

1 Claim, 6 Drawing Sheets

- (56) **References Cited**
U.S. PATENT DOCUMENTS
D279,053 S 6/1985 Vanderminden
D279,243 S 6/1985 Vanderminden
D280,474 S 9/1985 Vanderminden
D284,143 S 6/1986 Vanderminden
D287,316 S 12/1986 Vanderminden
4,904,022 A * 2/1990 Morozzi 297/440.1
D306,530 S 3/1990 Vanderminden
D359,397 S * 6/1995 McPhee D6/370
D406,701 S 3/1999 Slear
D439,422 S * 3/2001 Hecht et al. D6/336
D451,296 S * 12/2001 Stewart D6/370



(56)

References Cited

OTHER PUBLICATIONS

Vanderminde, Design U.S. Appl. No. 29/456,721, entitled Chaise Lounge, filed Jun. 3, 2013, 8-pages,

Vanderminde, Design U.S. Appl. No. 29/456,723, entitled Seat, filed Jun. 3, 2013, 7-pages.

Northampton Bench, available from Telescope Casual Furniture, Inc., Granville, New York, 4-pages, 2009.

Telescope Casual 2010 Catalog, Telescope Casual Furniture, Inc., Granville, New York, 99 pages, Jul. 1, 2009.

Telescope Casual 2012 Catalog, Telescope Casual Furniture, Inc., Granville, New York, 104 pages, Jul. 1, 2011.

Telescope Casual 2013 Catalog, Telescope Casual Furniture, Inc., Granville, New York, 92 pages, Jul. 1, 2012.

* cited by examiner

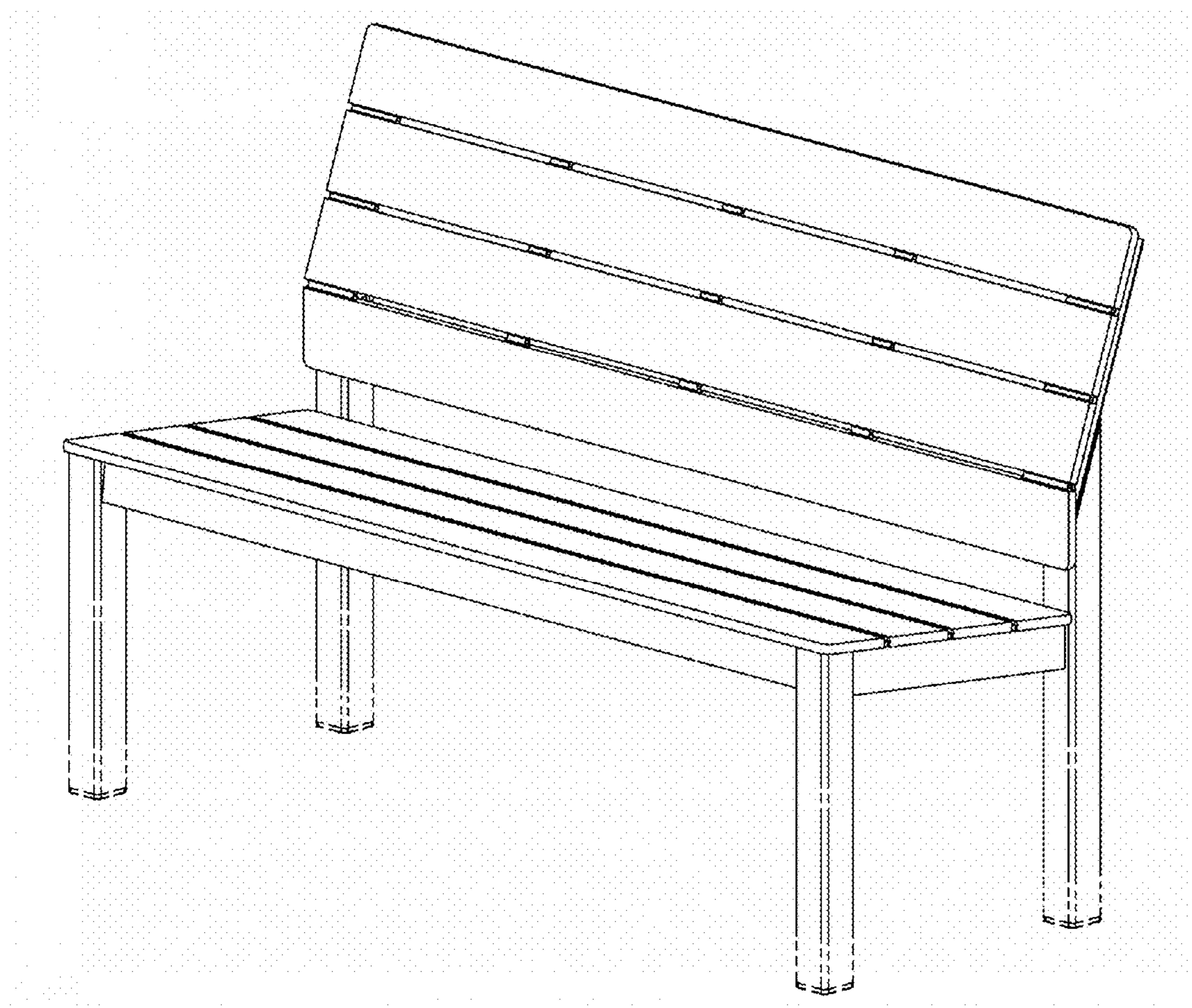


Fig. 1

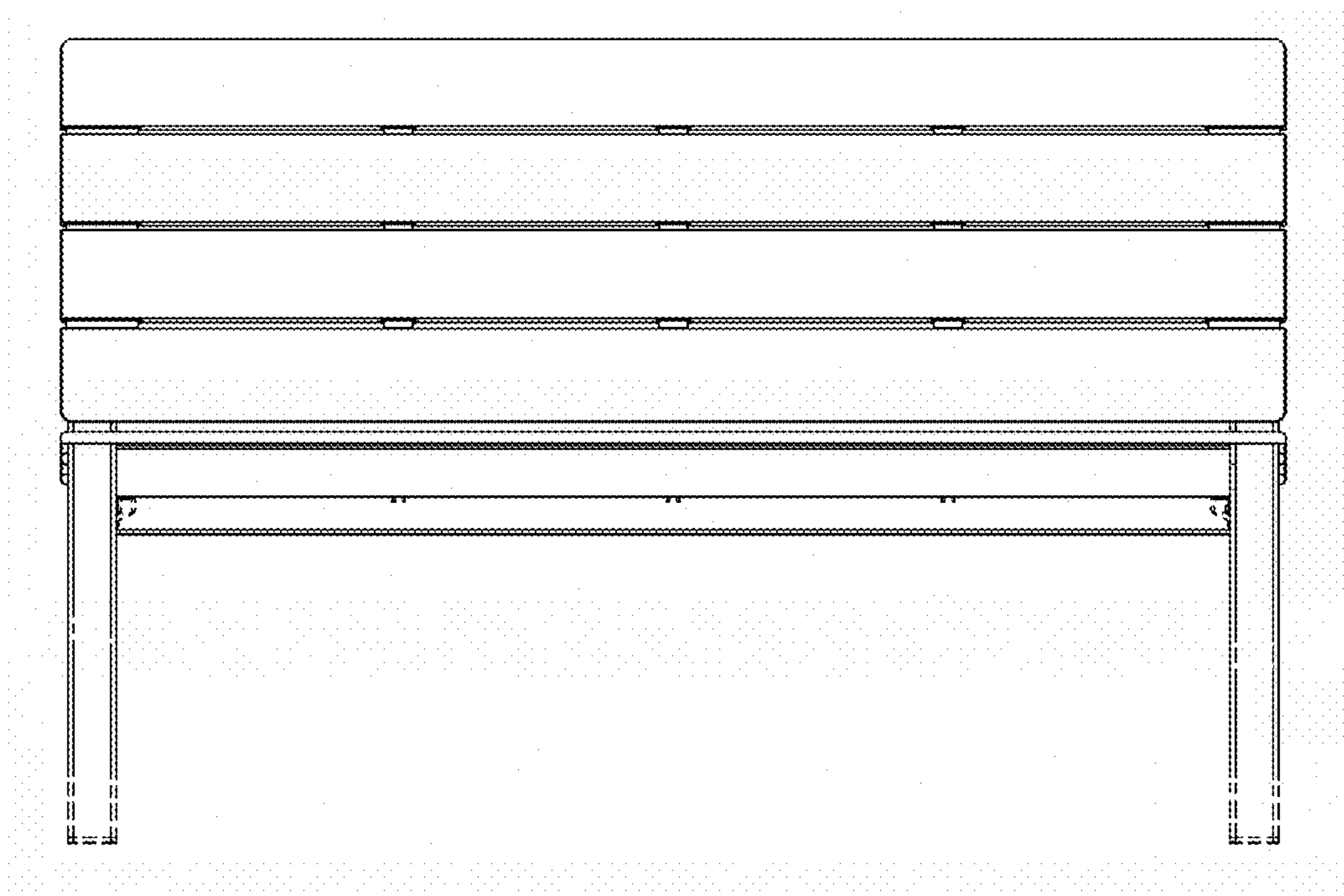


Fig. 2

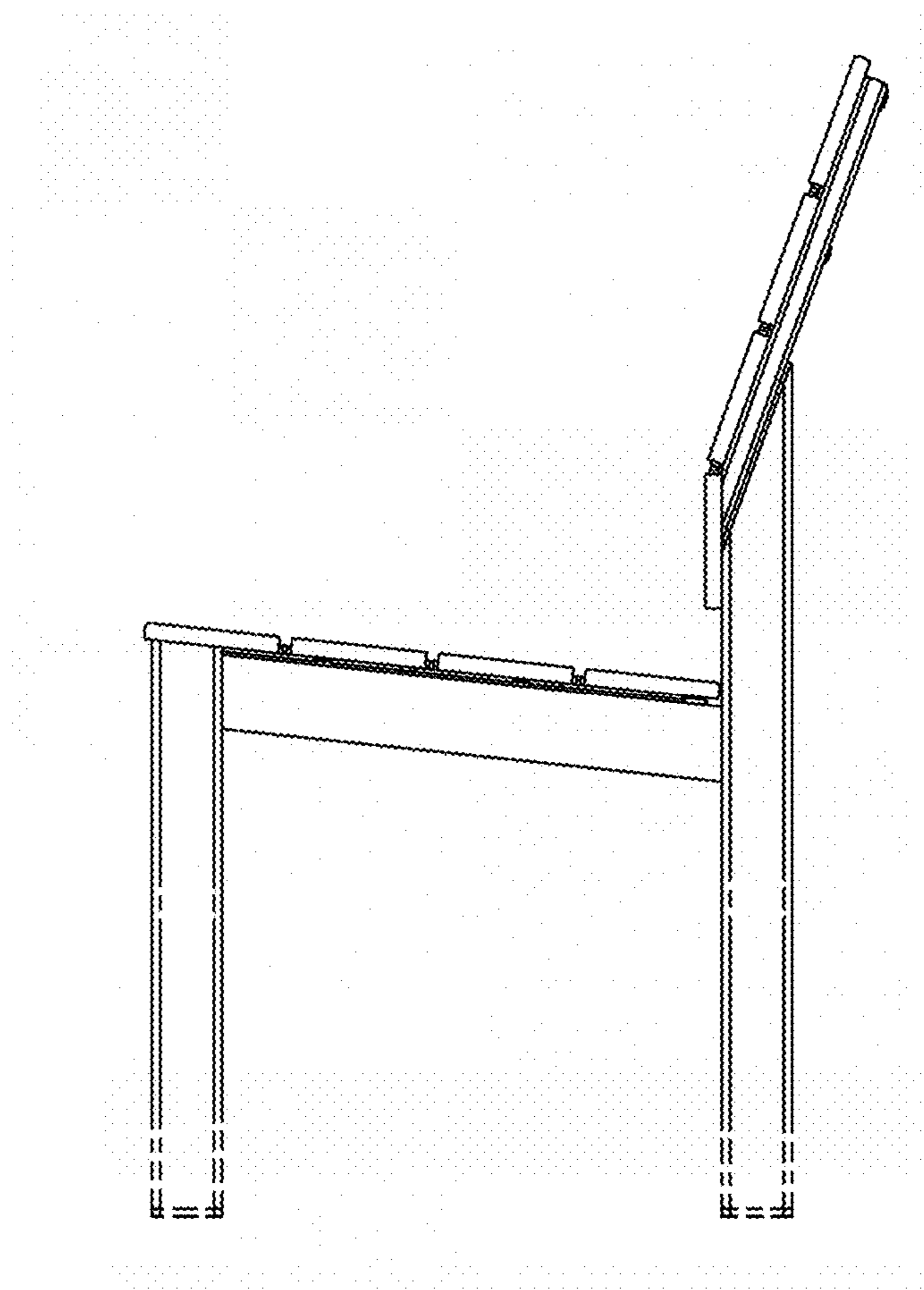


Fig. 3

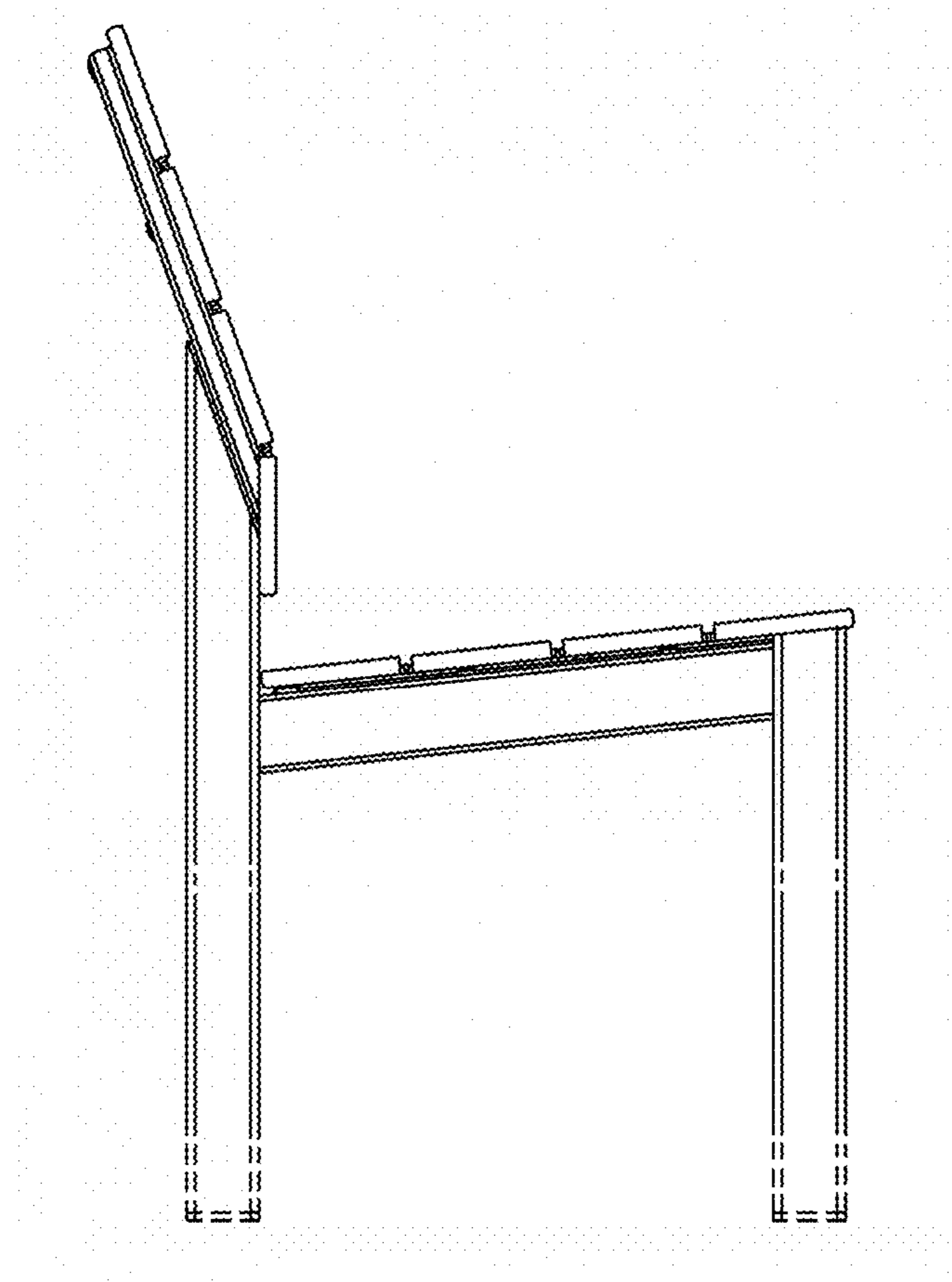


Fig. 4

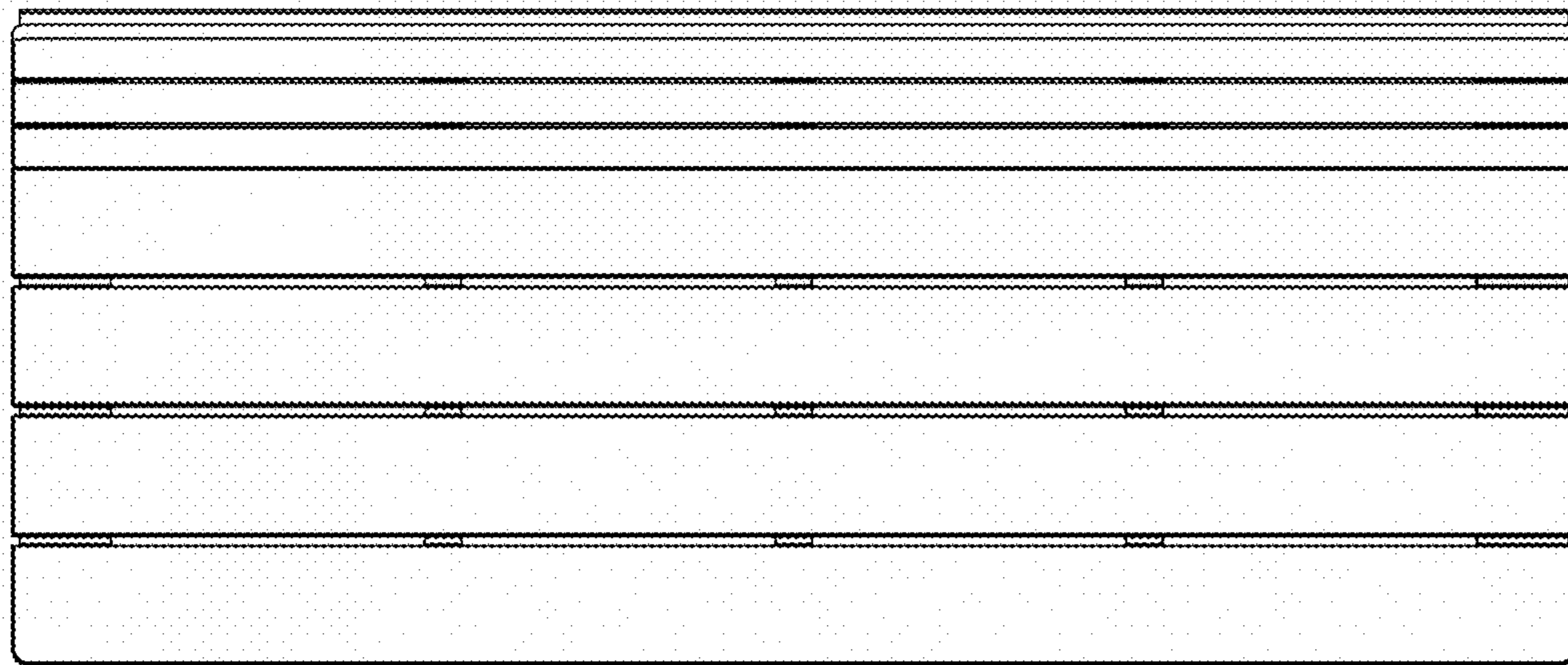


Fig. 5

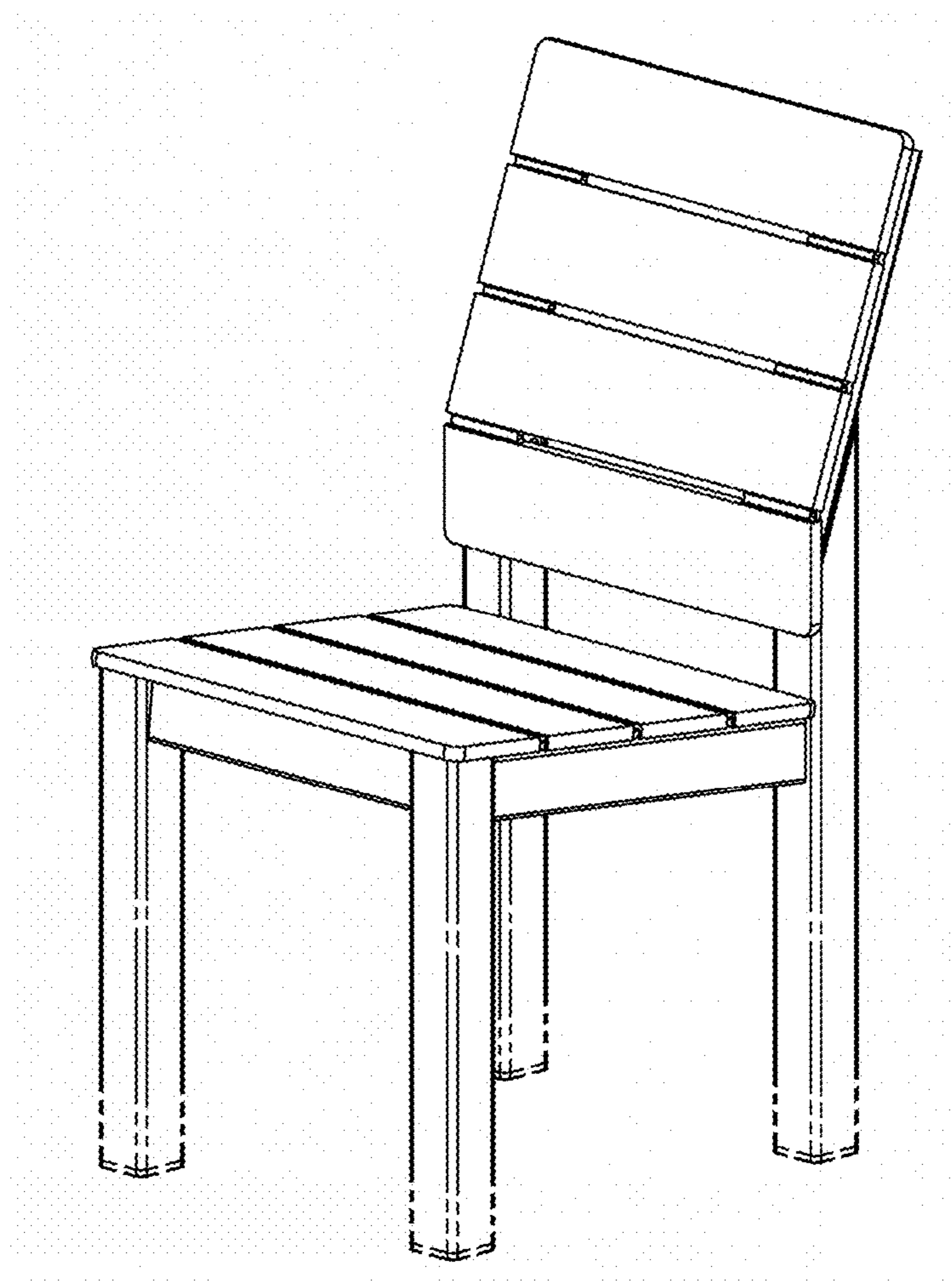


Fig. 6