



US00D711659S

(12) **United States Design Patent**
Gouldson

(10) **Patent No.:** **US D711,659 S**

(45) **Date of Patent:** **** Aug. 26, 2014**

(54) **GARMENT HANGER WITH FEMALE CONNECTOR BELOW HANGER BEAM**

(71) Applicant: **Braiform Group Pty Ltd**, Carrum Downs (AU)

(72) Inventor: **Stanley F. Gouldson**, Northport, NY (US)

(73) Assignee: **Braiform Group Pty Ltd**, Carrum Downs, Victoria (AU)

(**) Term: **14 Years**

(21) Appl. No.: **29/465,687**

(22) Filed: **Aug. 30, 2013**

(51) **LOC (10) Cl.** **06-08**

(52) **U.S. Cl.**
USPC **D6/318**

(58) **Field of Classification Search**
CPC A47G 25/26; A47G 25/28; A47G 25/30; A47G 25/32; A47G 25/34; A47G 25/36; A47G 25/38; A47G 25/442; A47G 25/625; A47G 25/743; A47G 25/1407; A47G 25/1457; A47G 2025/1492; A47F 7/18; A47F 7/19; A47F 7/22
USPC D6/315-328; 223/85-98; 211/10, 13.1, 211/85.2, 86.01, 87.01, 113
See application file for complete search history.

(56) **References Cited**

U.S. PATENT DOCUMENTS

D234,243 S 2/1975 Lindemann
4,438,874 A * 3/1984 Zuckerman et al. 223/88
D301,661 S 6/1989 Wilson
D415,357 S 10/1999 Blanchard

D417,557 S 12/1999 Blanchard
D424,817 S 5/2000 Morgan et al.
D440,409 S 4/2001 Blanchard
D464,814 S 10/2002 De Winter et al.
D472,062 S 3/2003 Yegavian et al.
D498,936 S 11/2004 Gouldson
D502,011 S 2/2005 Gouldson
6,875,392 B2 * 4/2005 Olk et al. 264/318
D607,217 S * 1/2010 Warren D6/318
7,832,603 B2 * 11/2010 Gouldson 223/88
7,832,604 B2 11/2010 Gouldson
D628,818 S * 12/2010 Warren D6/326
D664,777 S * 8/2012 Jones D6/318
8,267,287 B2 9/2012 Gouldson
2007/0199965 A1 8/2007 Gouldson
2007/0246490 A1 * 10/2007 Gouldson 223/85
2010/0019004 A1 1/2010 Gouldson
2010/0252588 A1 * 10/2010 Gouldson et al. 223/96

* cited by examiner

Primary Examiner — Derrick Holland

Assistant Examiner — Lauren Calve

(74) *Attorney, Agent, or Firm* — Scully, Scott, Murphy & Presser, P.C.

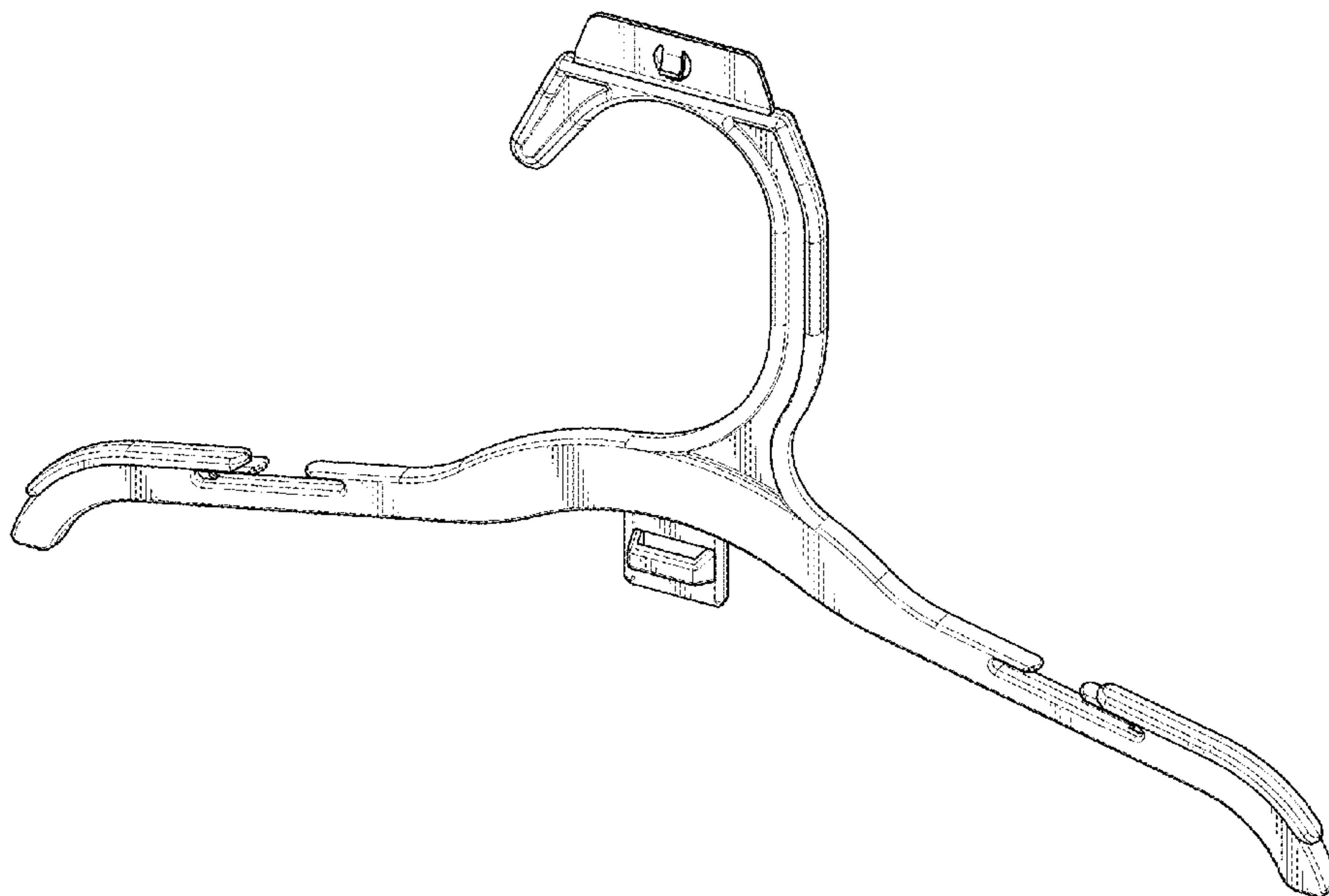
(57) **CLAIM**

The ornamental design for a garment hanger with female connector below hanger beam, as shown.

DESCRIPTION

FIG. 1 is a perspective view of a garment hanger with female connector below hanger beam showing my new design; FIG. 2 is a front elevation view thereof; FIG. 3 is a rear elevation view thereof; FIG. 4 is a side elevation view thereof; FIG. 5 is an opposite side elevation view thereof; FIG. 6 is a top plan view thereof; and, FIG. 7 is a bottom plan view thereof.

1 Claim, 3 Drawing Sheets



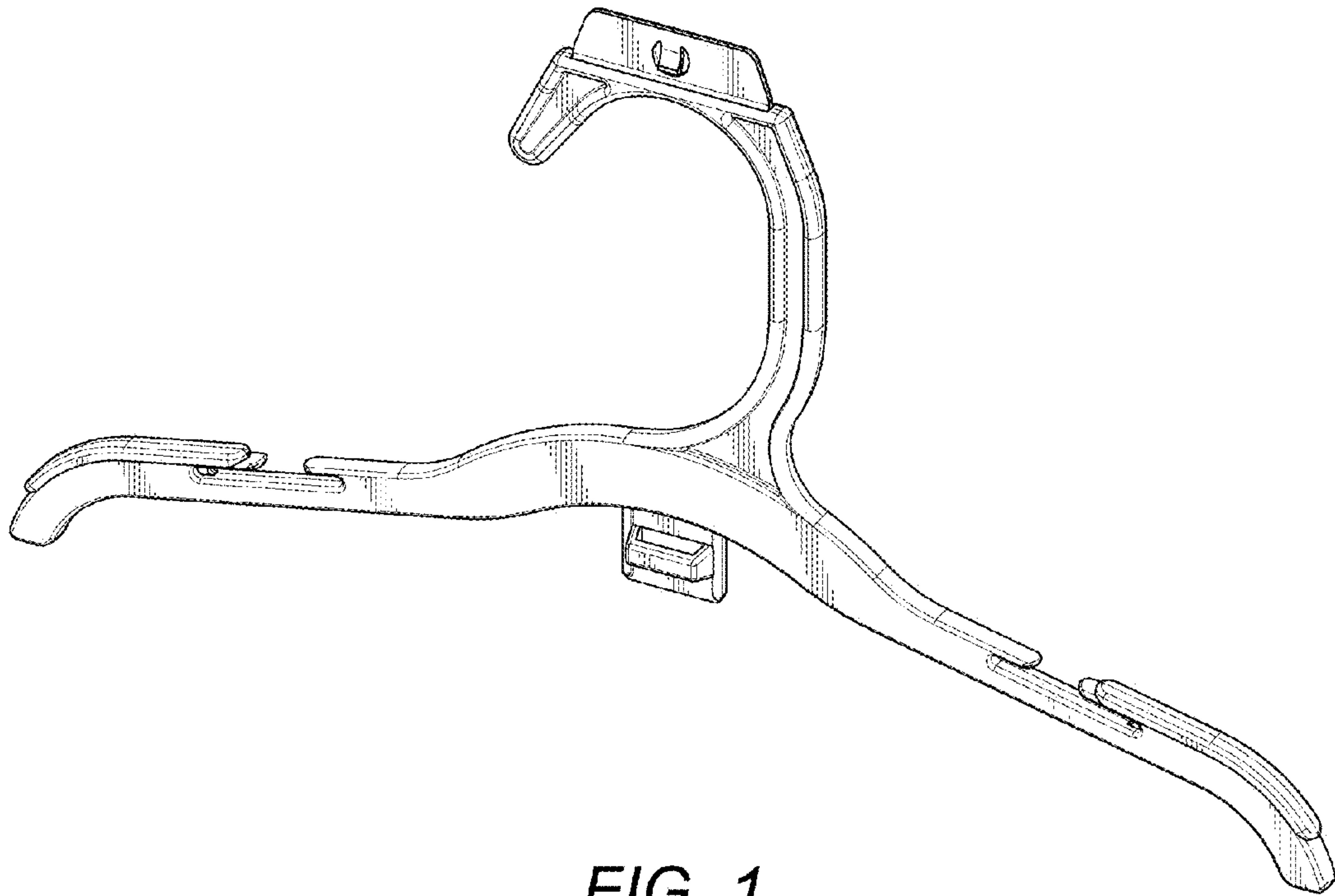


FIG. 1

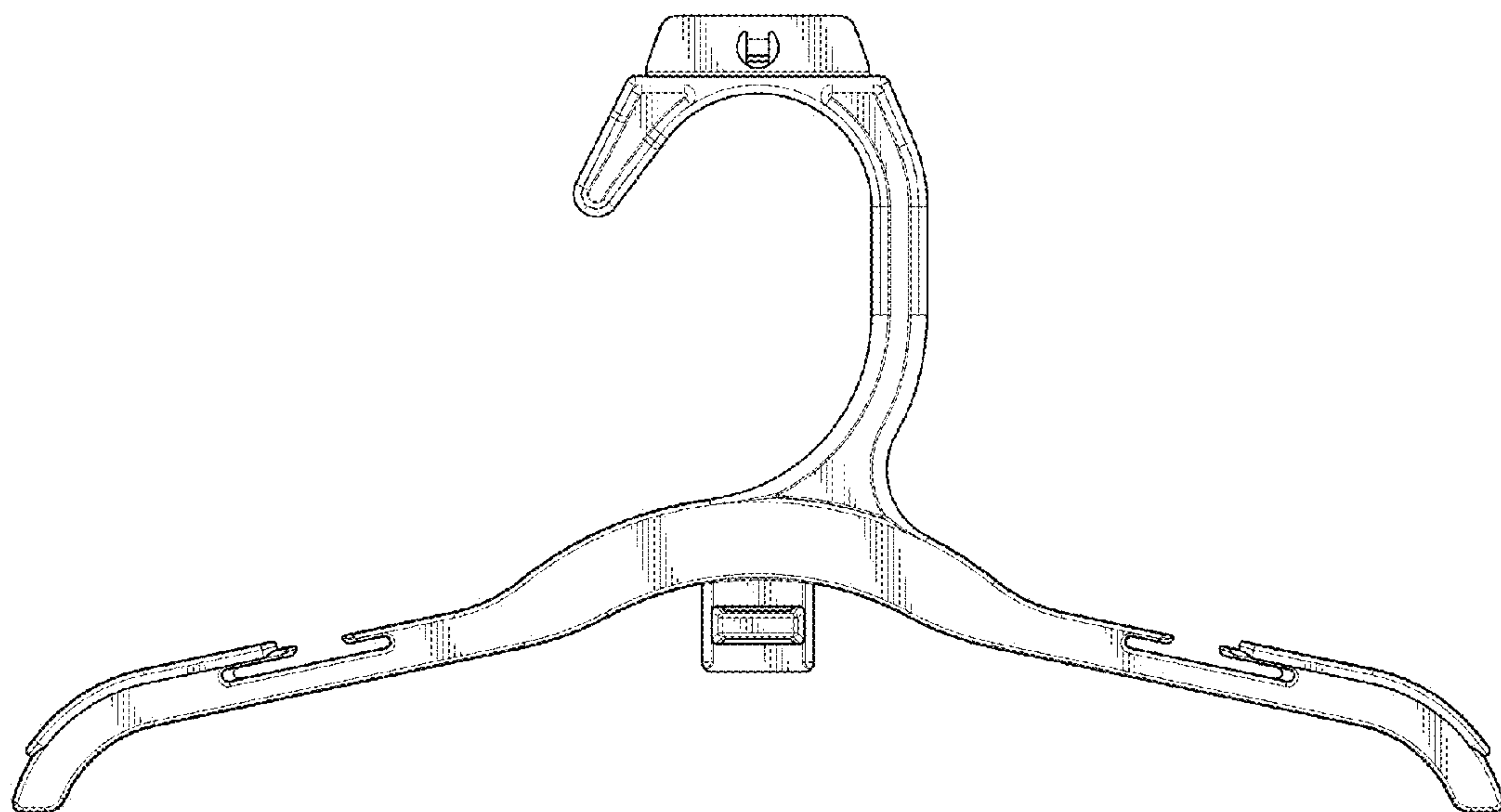


FIG. 2

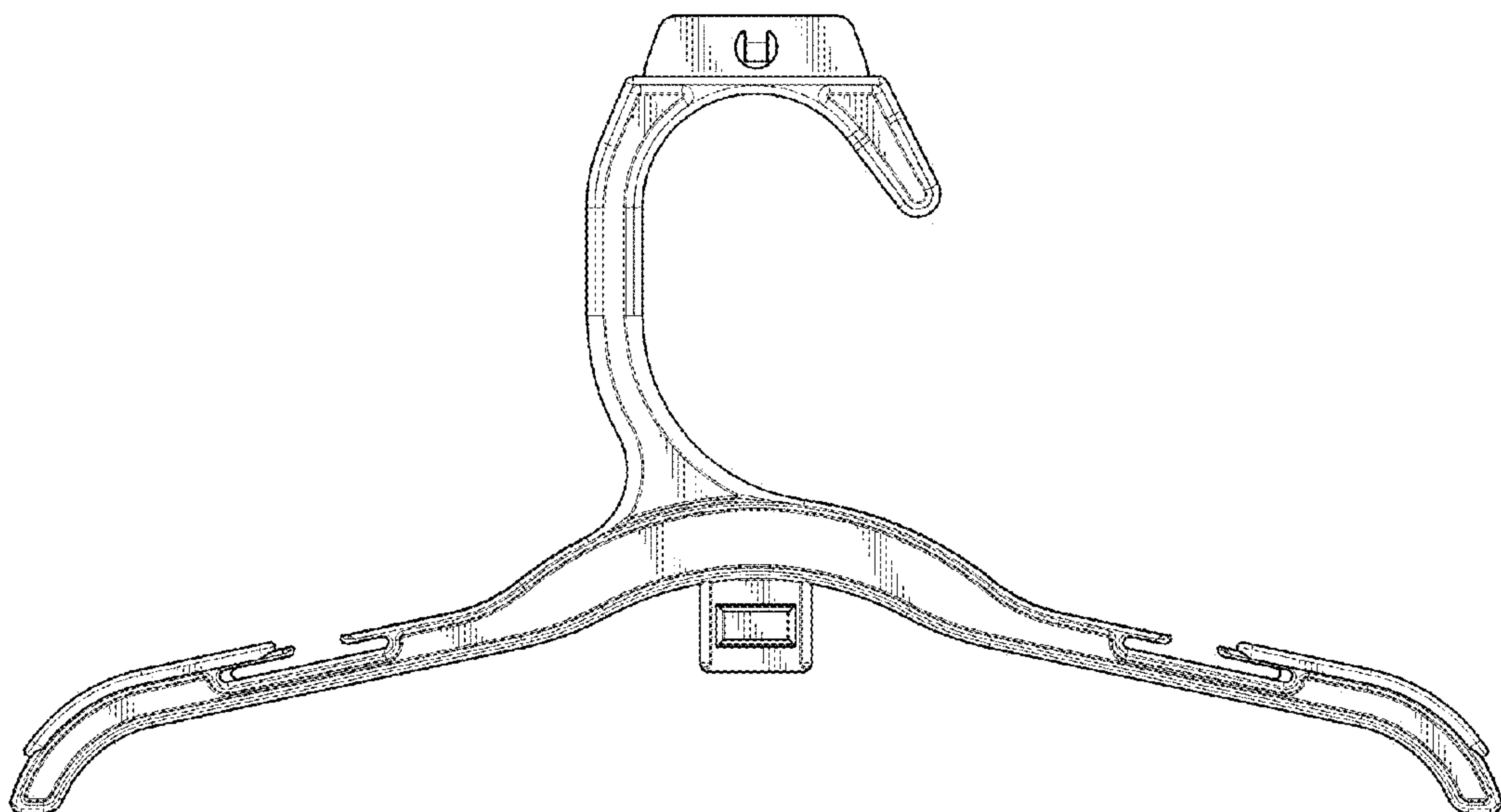


FIG. 3

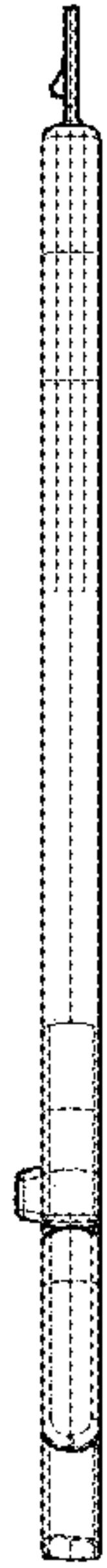


FIG. 4



FIG. 5



FIG. 6

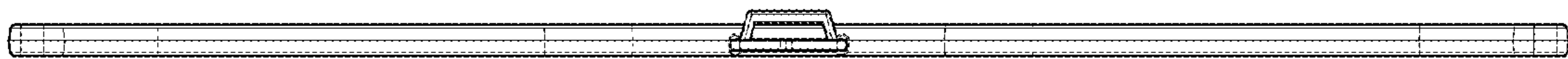


FIG. 7