



US00D711658S

(12) **United States Design Patent**  
**Pelton et al.**

(10) **Patent No.:** **US D711,658 S**

(45) **Date of Patent:** **\*\* Aug. 26, 2014**

(54) **HANGER**

(71) Applicant: **Target Brands, Inc.**, Minneapolis, MN (US)

(72) Inventors: **Christine A. Pelton**, Minneapolis, MN (US); **Jake Strassburger**, South Plainfield, NJ (US); **Keith Cedro**, Ho Ho Kus, NJ (US)

(73) Assignee: **Target Brands, Inc.**, Minneapolis, MN (US)

(\*\*) Term: **14 Years**

(21) Appl. No.: **29/488,523**

(22) Filed: **Apr. 21, 2014**

(51) **LOC (10) Cl.** ..... **06-08**

(52) **U.S. Cl.**

USPC ..... **D6/315; D9/443**

(58) **Field of Classification Search**

CPC ... A47G 25/28; A47G 25/487; A47G 25/485; A47G 25/473; A47G 25/36; A47G 25/48; A47G 25/38; A47G 25/34; A47G 2025/484; A47G 29/00; A47F 5/0006; A47F 7/19; A47F 7/00

USPC ..... D6/315-328; 223/85-98; 211/10, 13.1, 211/85.2, 87.01, 113; D20/42; D9/434, D9/443, 455, 457

See application file for complete search history.

(56) **References Cited**

**U.S. PATENT DOCUMENTS**

D167,155 S \* 7/1952 Leach ..... D6/326  
3,123,331 A 3/1964 Field et al.  
3,710,996 A 1/1973 Smilow et al.  
3,870,206 A 3/1975 Feinberg  
4,416,401 A 11/1983 King  
D301,942 S 7/1989 Talbot-Titley  
4,889,265 A 12/1989 Morgan

D321,288 S \* 11/1991 Nichol, Jr. .... D6/315  
D375,208 S 11/1996 Gouldson  
6,497,347 B1 \* 12/2002 Feibelman et al. .... 223/87  
6,612,431 B2 9/2003 Faircloth  
D503,092 S \* 3/2005 Feibelman ..... D9/455  
D513,595 S 1/2006 Weber et al.

(Continued)

**FOREIGN PATENT DOCUMENTS**

GB 2324029 A 10/1998

*Primary Examiner* — Derrick Holland

*Assistant Examiner* — Lauren Calve

(74) *Attorney, Agent, or Firm* — Griffiths & Seaton PLLC; JoAnn M. Seaton

(57) **CLAIM**

The ornamental design for a hanger, as shown and described.

**DESCRIPTION**

FIG. 1 is a front, perspective view of a hanger showing our new design with a snappable portion of the hanger in a first configuration;

FIG. 2 is a front view thereof;

FIG. 3 is a rear view thereof;

FIG. 4 is a right side view thereof;

FIG. 5 is a left side view thereof;

FIG. 6 is a top view thereof; and

FIG. 7 is a bottom view thereof.

FIG. 8 is a front, perspective view of the hanger of FIG. 1 with the snappable portion of the hanger in a second configuration;

FIG. 9 is a front view thereof;

FIG. 10 is a rear view thereof;

FIG. 11 is a right side view thereof;

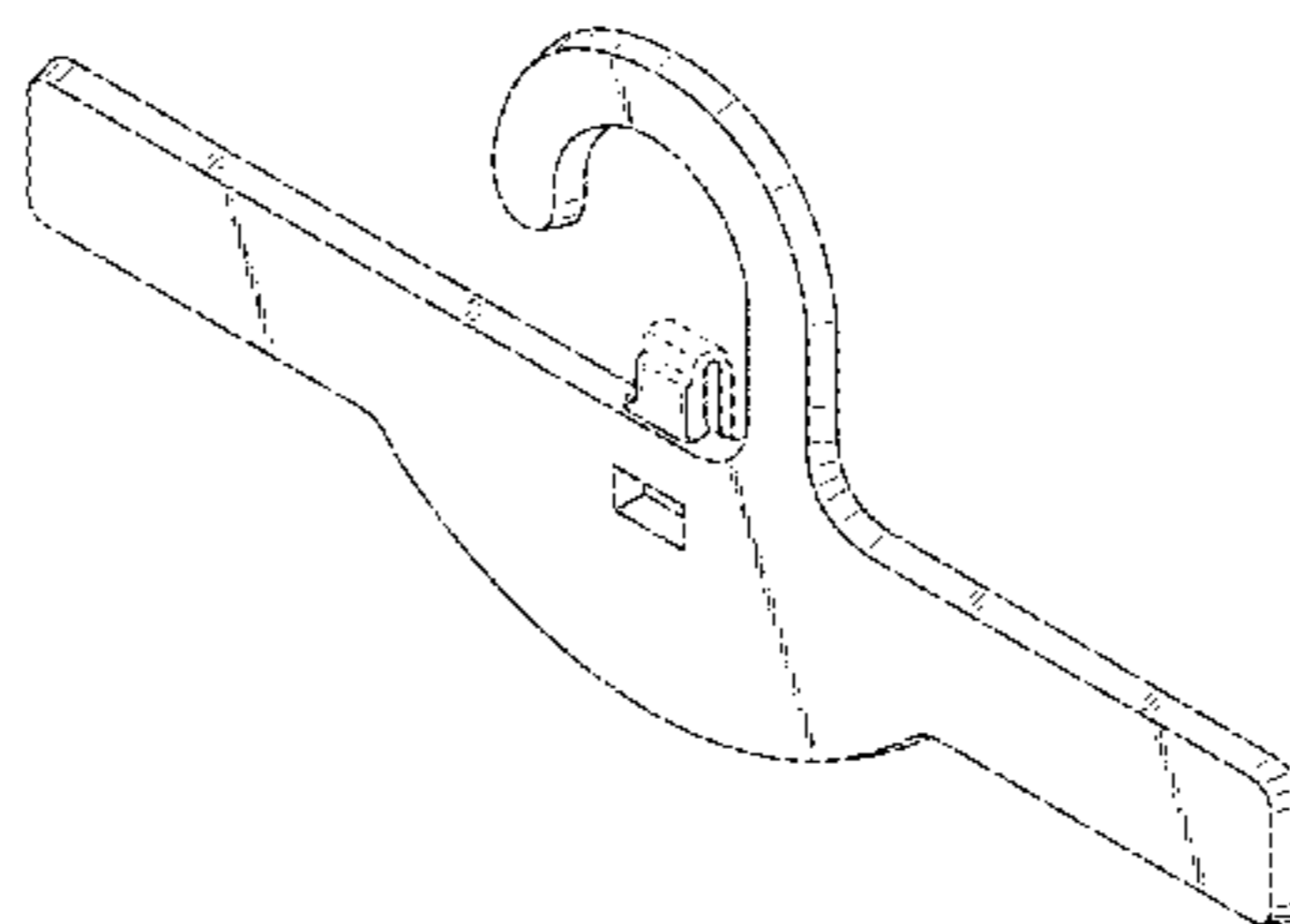
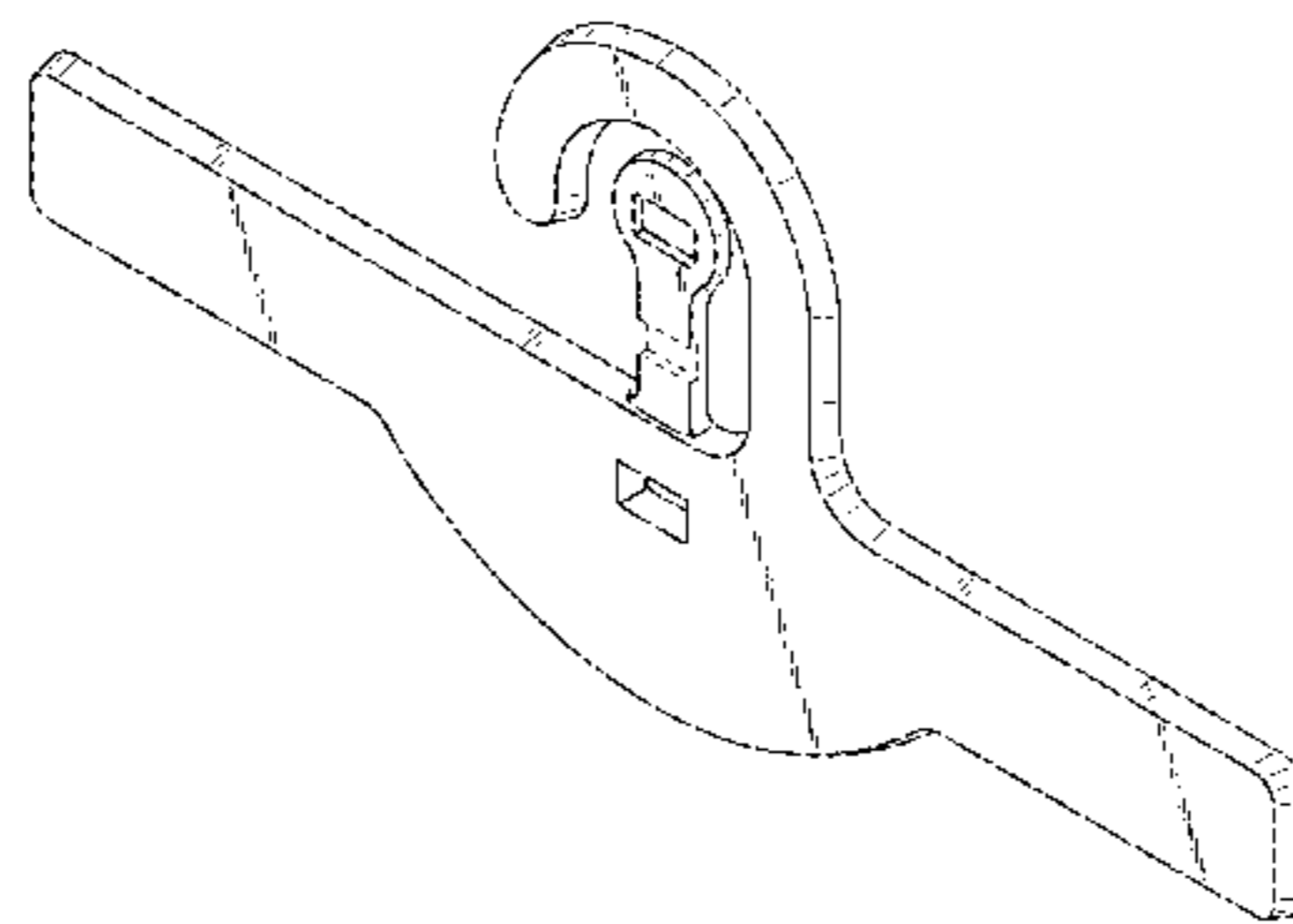
FIG. 12 is a left side view thereof;

FIG. 13 is a top view thereof; and,

FIG. 14 is a bottom view thereof.

The broken lines shown represent unclaimed subject matter and form no part of the claimed design.

**1 Claim, 6 Drawing Sheets**



(56)

**References Cited**

U.S. PATENT DOCUMENTS

7,568,577 B2 8/2009 Kim  
7,984,803 B2 7/2011 Anderson et al.  
D647,709 S 11/2011 Anderson et al.  
D648,140 S 11/2011 Ferraro et al.

D648,142 S 11/2011 Ferraro et al.  
8,308,119 B2 11/2012 Foltz et al.  
8,322,529 B2 12/2012 Titkos et al.  
8,418,858 B2 4/2013 Foltz et al.  
8,444,029 B2 5/2013 Ferraro et al.  
8,573,411 B2 11/2013 Foltz et al.  
8,579,245 B2 11/2013 Foltz et al.

\* cited by examiner

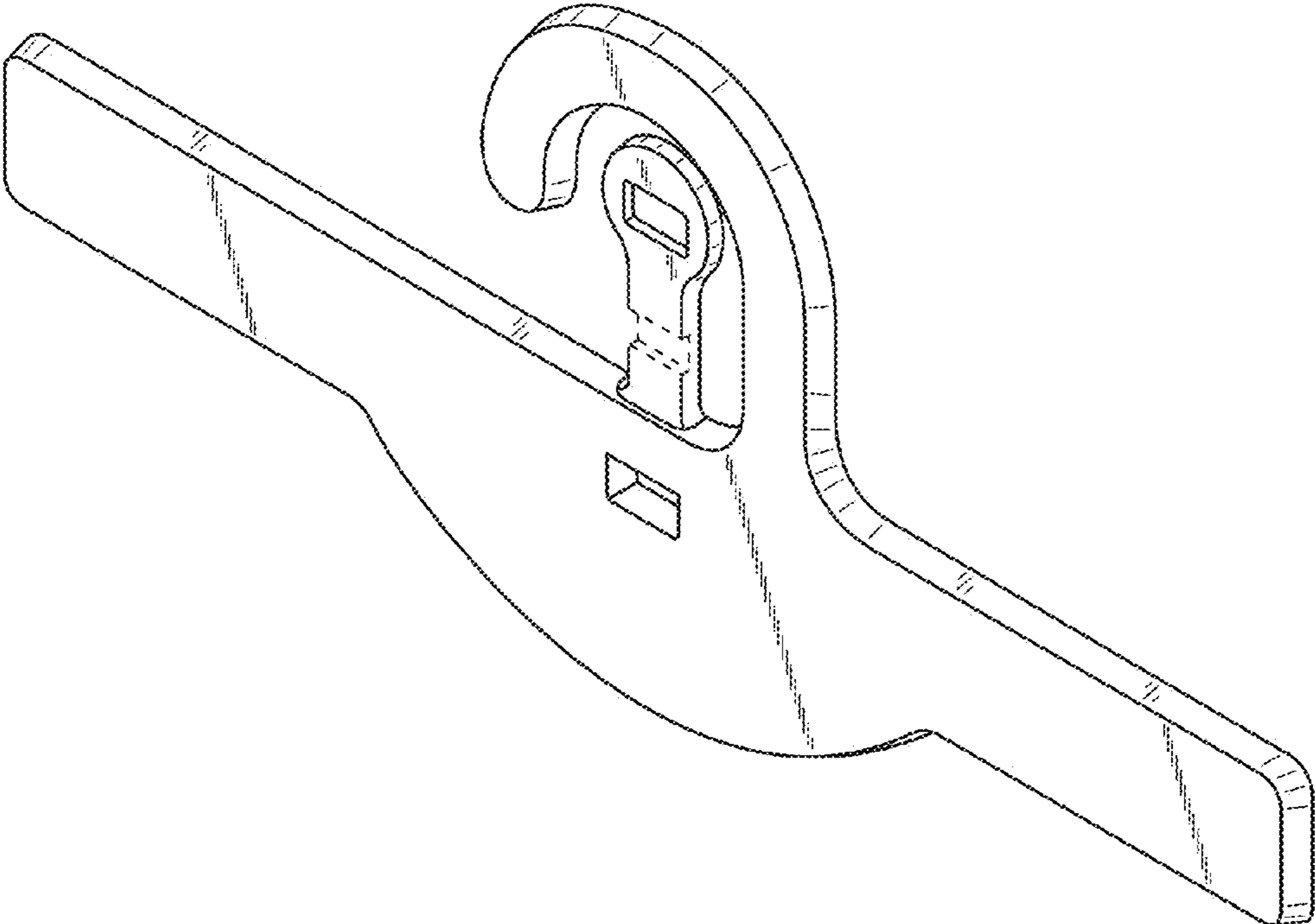


FIG. 1

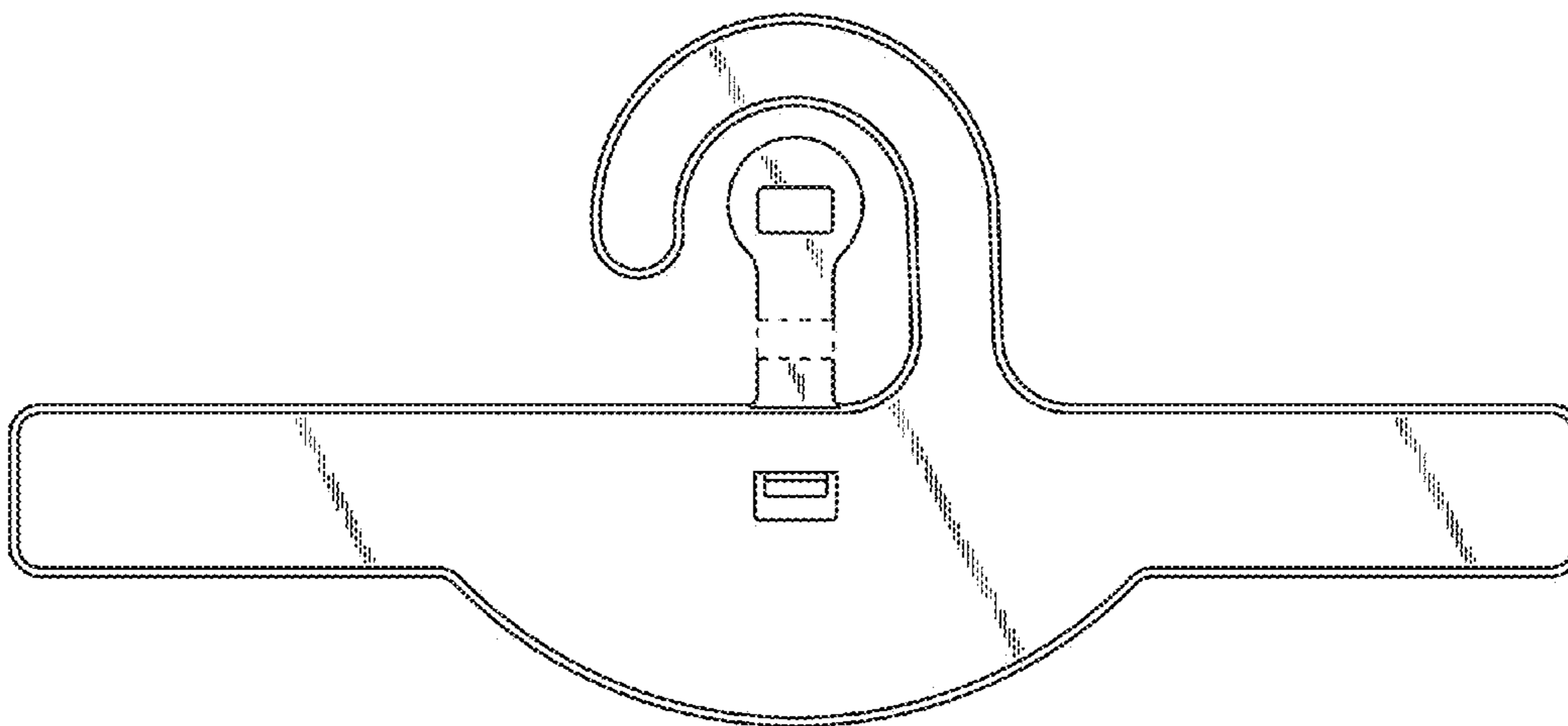


FIG. 2

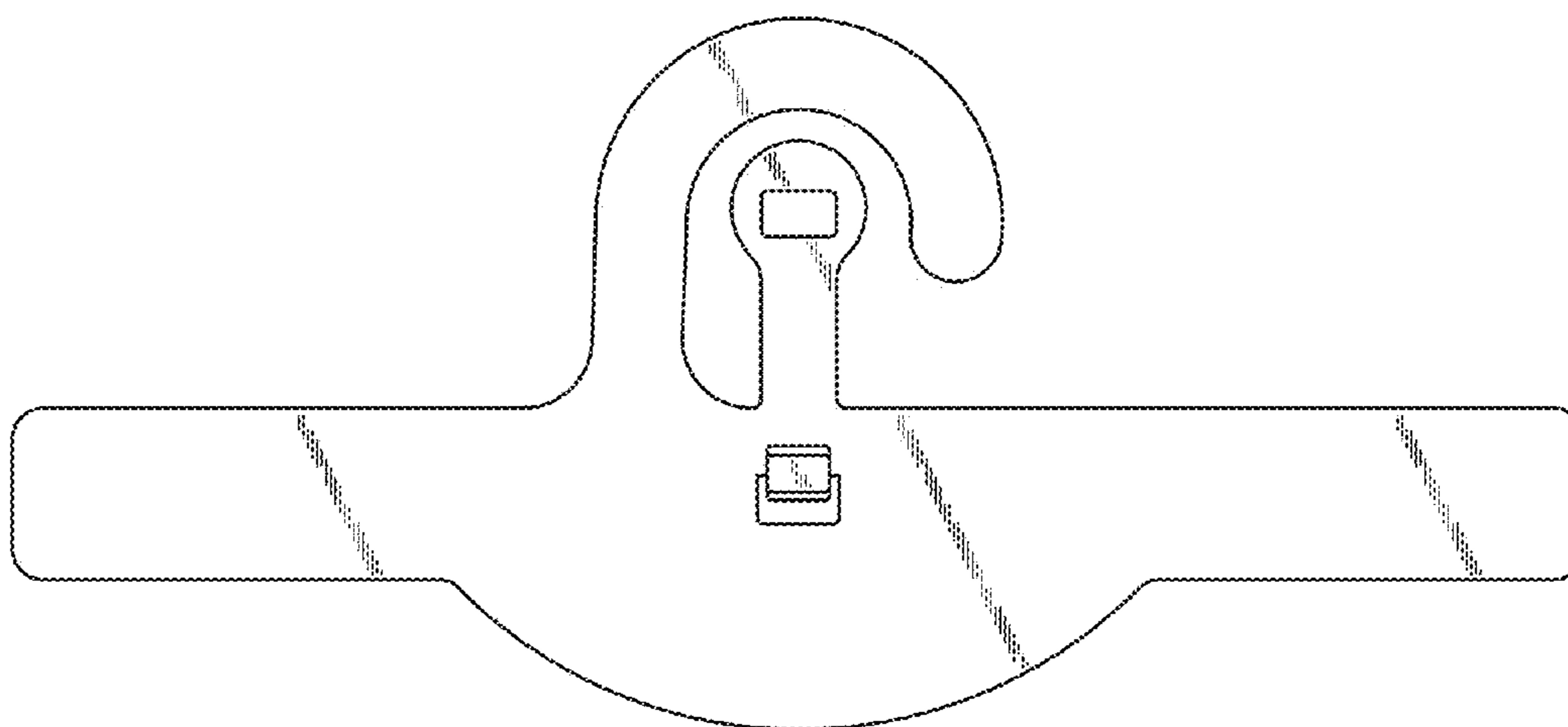


FIG. 3

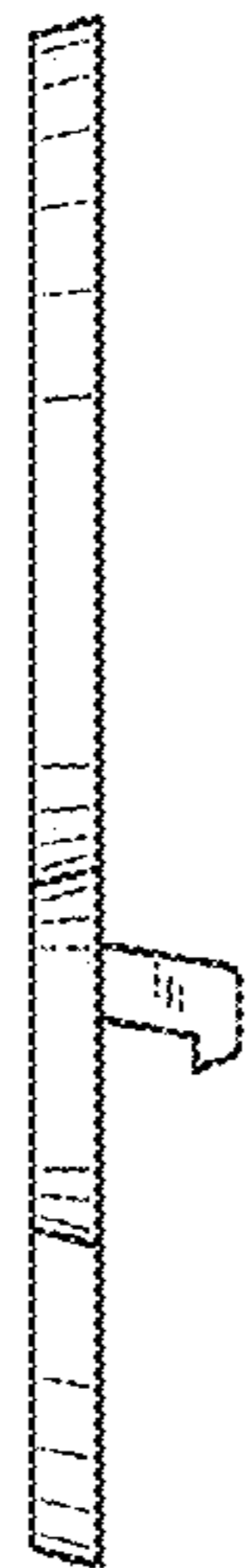


FIG. 4



FIG. 5



FIG. 6



FIG. 7

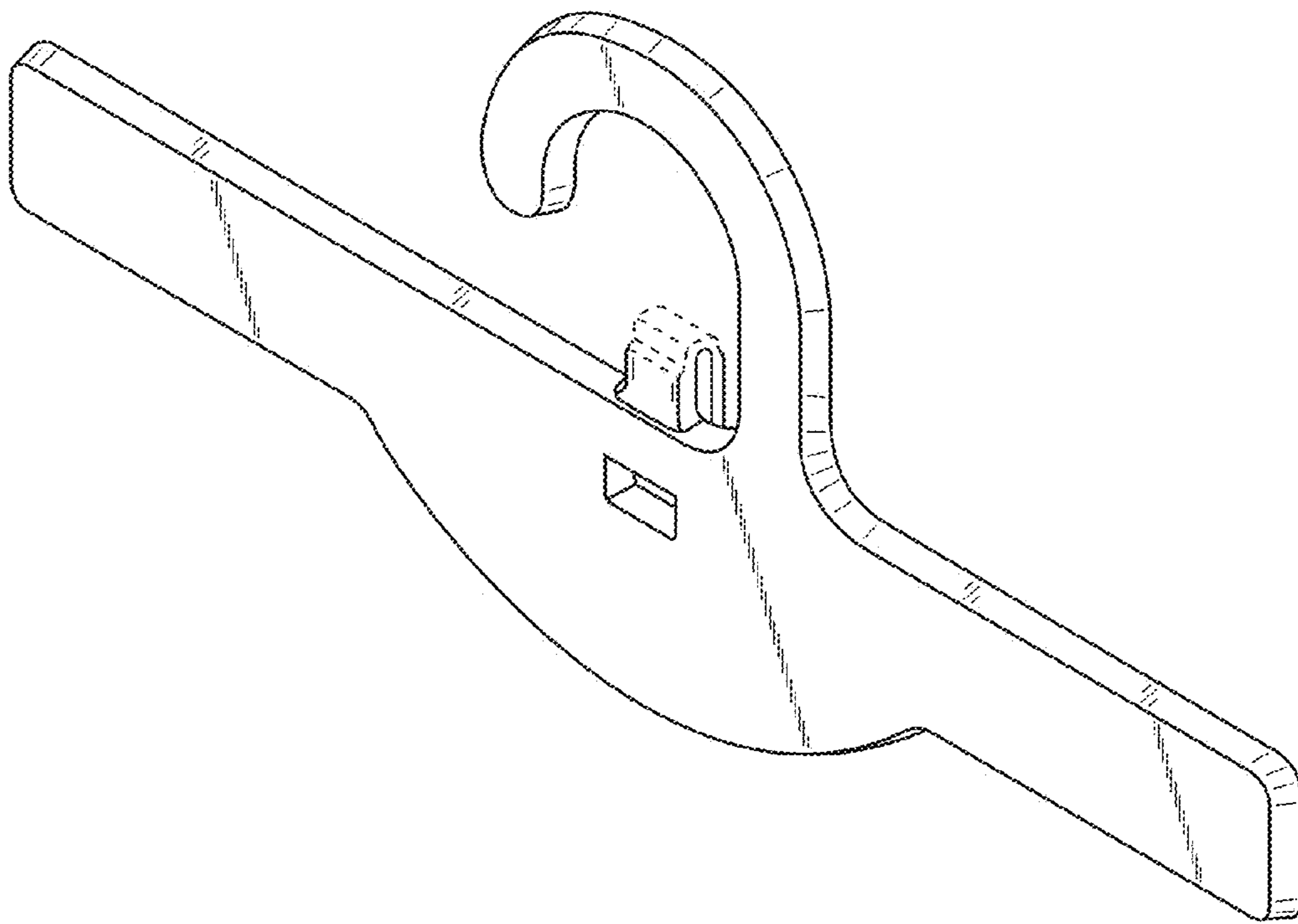


FIG. 8

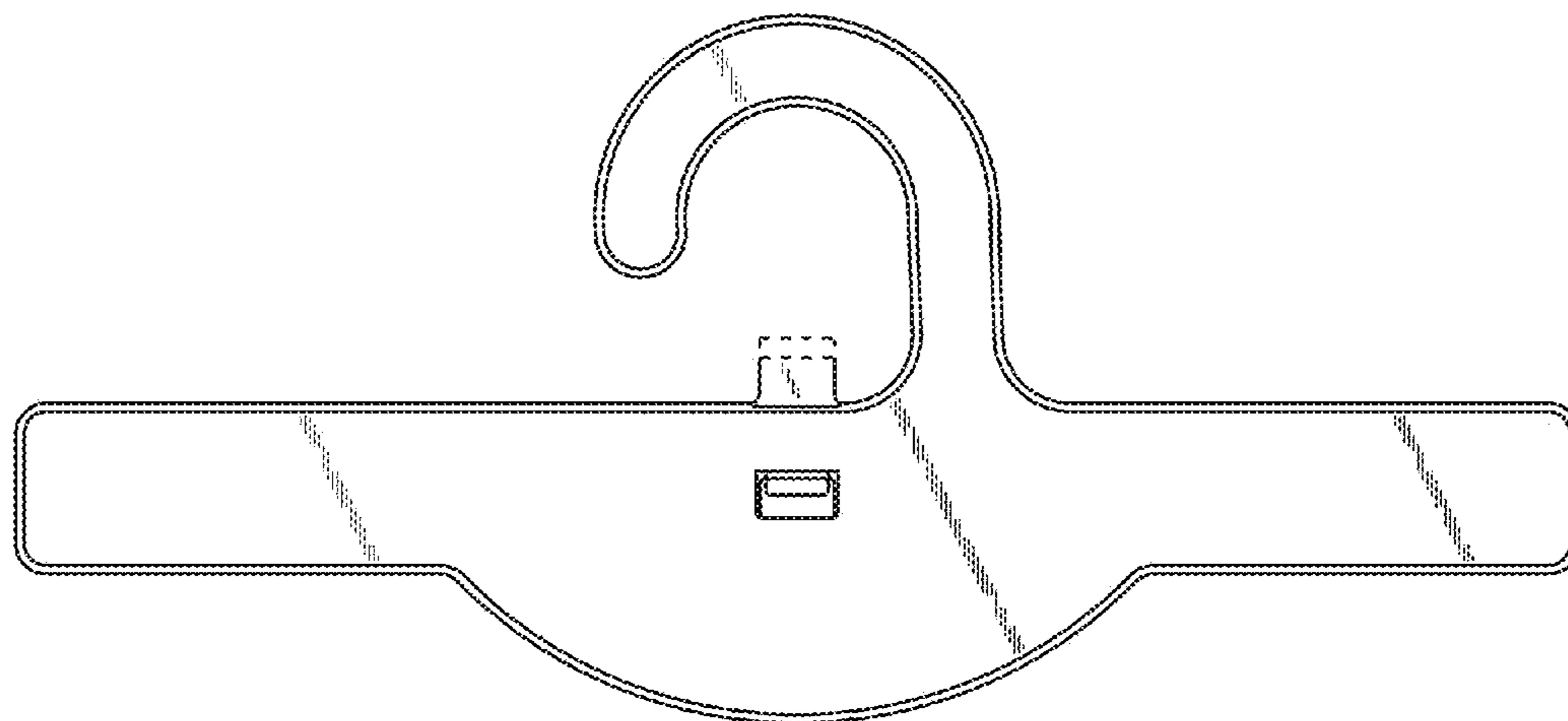


FIG. 9

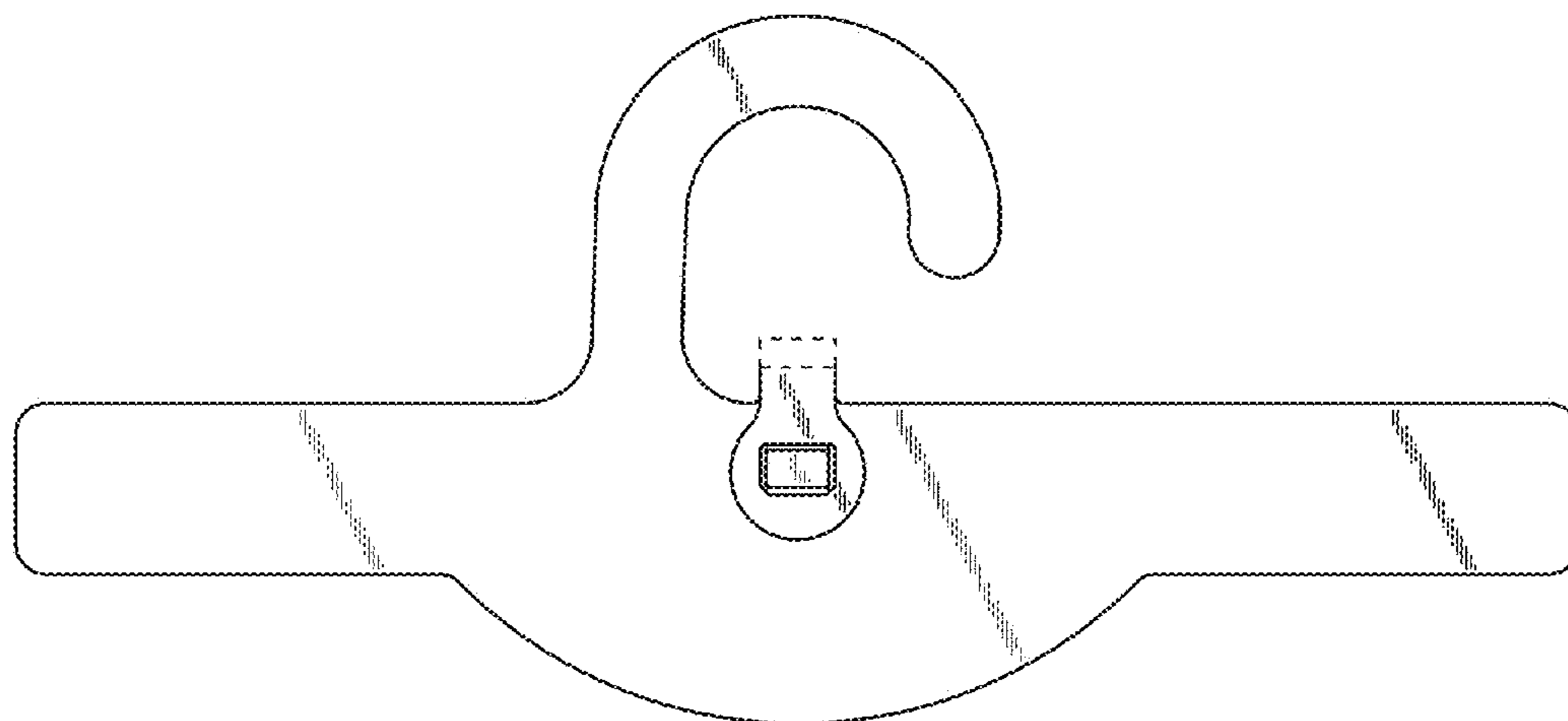


FIG. 10



FIG. 11

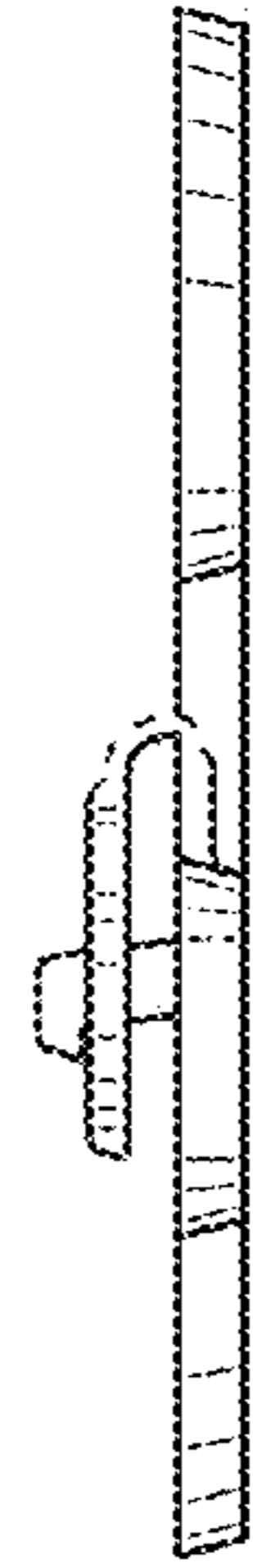


FIG. 12

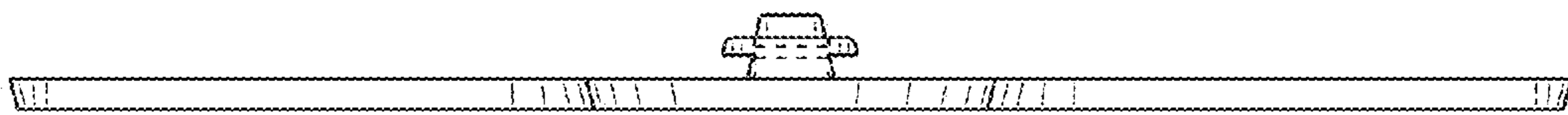


FIG. 13

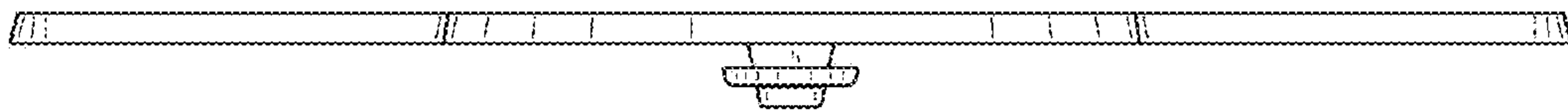


FIG. 14