



US00D711654S

(12) **United States Design Patent**  
**Kuster et al.**

(10) **Patent No.:** **US D711,654 S**  
(45) **Date of Patent:** **\*\* Aug. 26, 2014**

(54) **HANDBAG WITH DECORATIVE CLASP**

(71) Applicants: **Laurence Kuster**, London (GB); **Lydia Hannon**, London (GB)

(72) Inventors: **Laurence Kuster**, London (GB); **Lydia Hannon**, London (GB)

(73) Assignee: **J. Choo Limited**, London (GB)

(\*\*) Term: **14 Years**

(21) Appl. No.: **29/459,467**

(22) Filed: **Jun. 28, 2013**

(30) **Foreign Application Priority Data**

Mar. 14, 2013 (EM) ..... 002202747-0026

(51) **LOC (10) Cl.** ..... **03-01**

(52) **U.S. Cl.**  
USPC ..... **D3/318**

(58) **Field of Classification Search**  
USPC ..... D3/232, 318; 150/100, 103-110,  
150/113-114, 117-119

See application file for complete search history.

(56) **References Cited**

**U.S. PATENT DOCUMENTS**

D110,612 S \* 7/1938 Carlin ..... D3/241  
D144,114 S 3/1946 Kaphan  
D685,996 S \* 7/2013 Zander ..... D3/318  
D690,506 S 10/2013 Kuster et al.

\* cited by examiner

*Primary Examiner* — Holly Baynham

(74) *Attorney, Agent, or Firm* — Fross Zelnick Lehrman & Zissu, P.C.; Lawrence E. Apolzon, Esq.

(57) **CLAIM**

The ornamental design for a handbag with decorative clasp, as shown and described.

**DESCRIPTION**

FIG. 1 is a front perspective view of a handbag with decorative clasp showing my new design;

FIG. 2 is a front view of the handbag with decorative clasp shown in FIG. 1;

FIG. 3 is a rear view of the handbag with decorative clasp shown in FIG. 1;

FIG. 4 is a left side of the handbag with decorative clasp shown in FIG. 1 (with the right side view being a mirror image thereof);

FIG. 5 is a top view of the handbag with decorative clasp shown in FIG. 1;

FIG. 6 is a bottom view of the handbag with decorative clasp shown in FIG. 1;

FIG. 7 is a front perspective view of an alternative embodiment of the handbag with decorative clasp shown in FIG. 1;

FIG. 8 is a front view of the handbag with decorative clasp shown in FIG. 7;

FIG. 9 is a rear view of the handbag with decorative clasp shown in FIG. 7;

FIG. 10 is a left side view of the handbag with decorative clasp shown in FIG. 7 (with the right side view being a mirror image thereof);

FIG. 11 is a top view of the handbag with decorative clasp shown in FIG. 7;

FIG. 12 is a bottom view of the handbag with decorative clasp shown in FIG. 7;

FIG. 13 is a front perspective view of another alternative embodiment of the handbag with decorative clasp shown in FIG. 1;

FIG. 14 is a front view of the handbag with decorative clasp shown in FIG. 13;

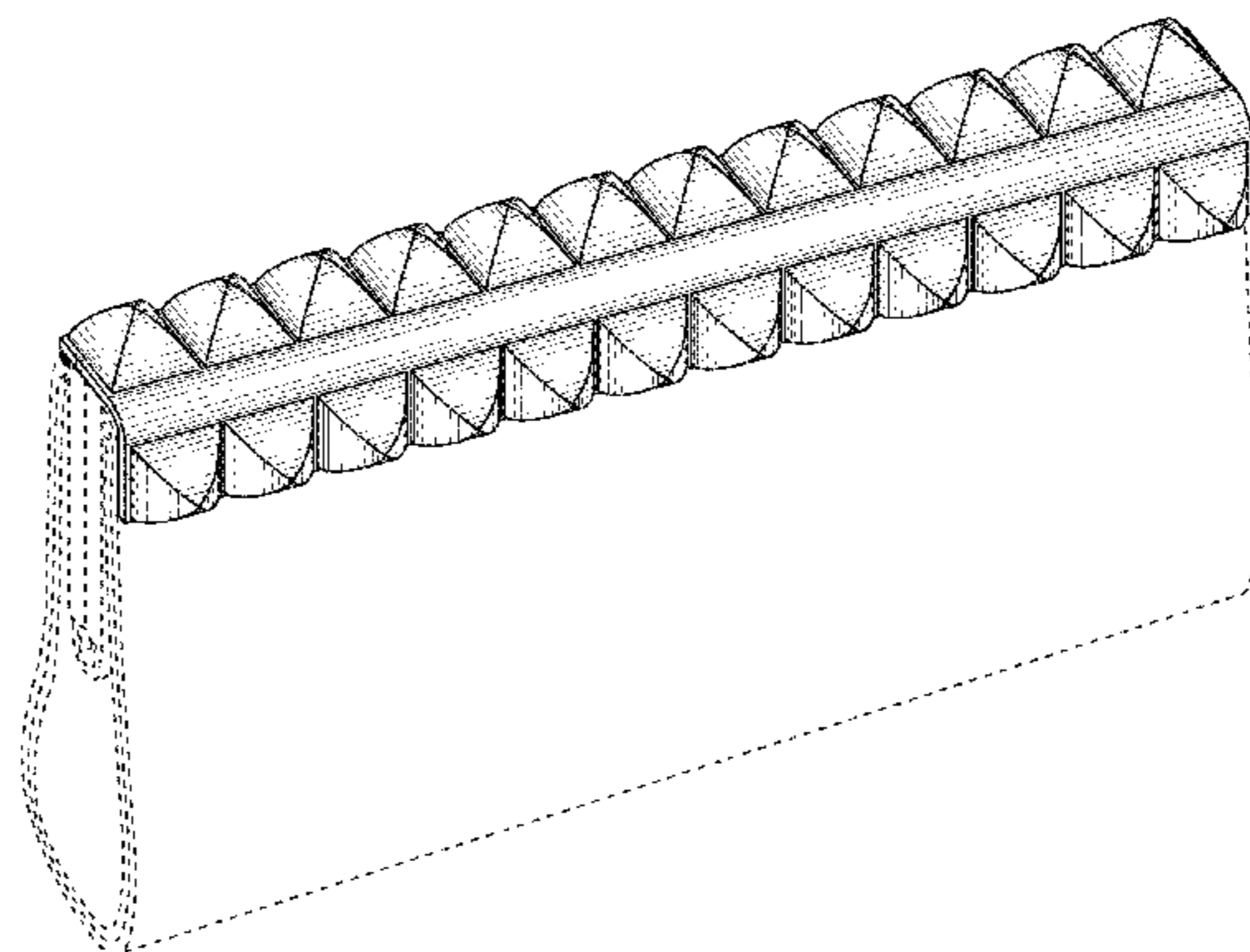
FIG. 15 is a rear view of the handbag with decorative clasp shown in FIG. 13;

FIG. 16 is a left side view of the handbag with decorative clasp shown in FIG. 13 (with the right side view being a mirror image thereof);

FIG. 17 is a top view of the handbag with decorative clasp shown in FIG. 13; and,

FIG. 18 is a bottom view of the handbag with decorative clasp shown in FIG. 13. The broken lines showing the handbag and portions of the clasp are for the purposes of illustrating environment and form no part of the claimed design.

**1 Claim, 15 Drawing Sheets**



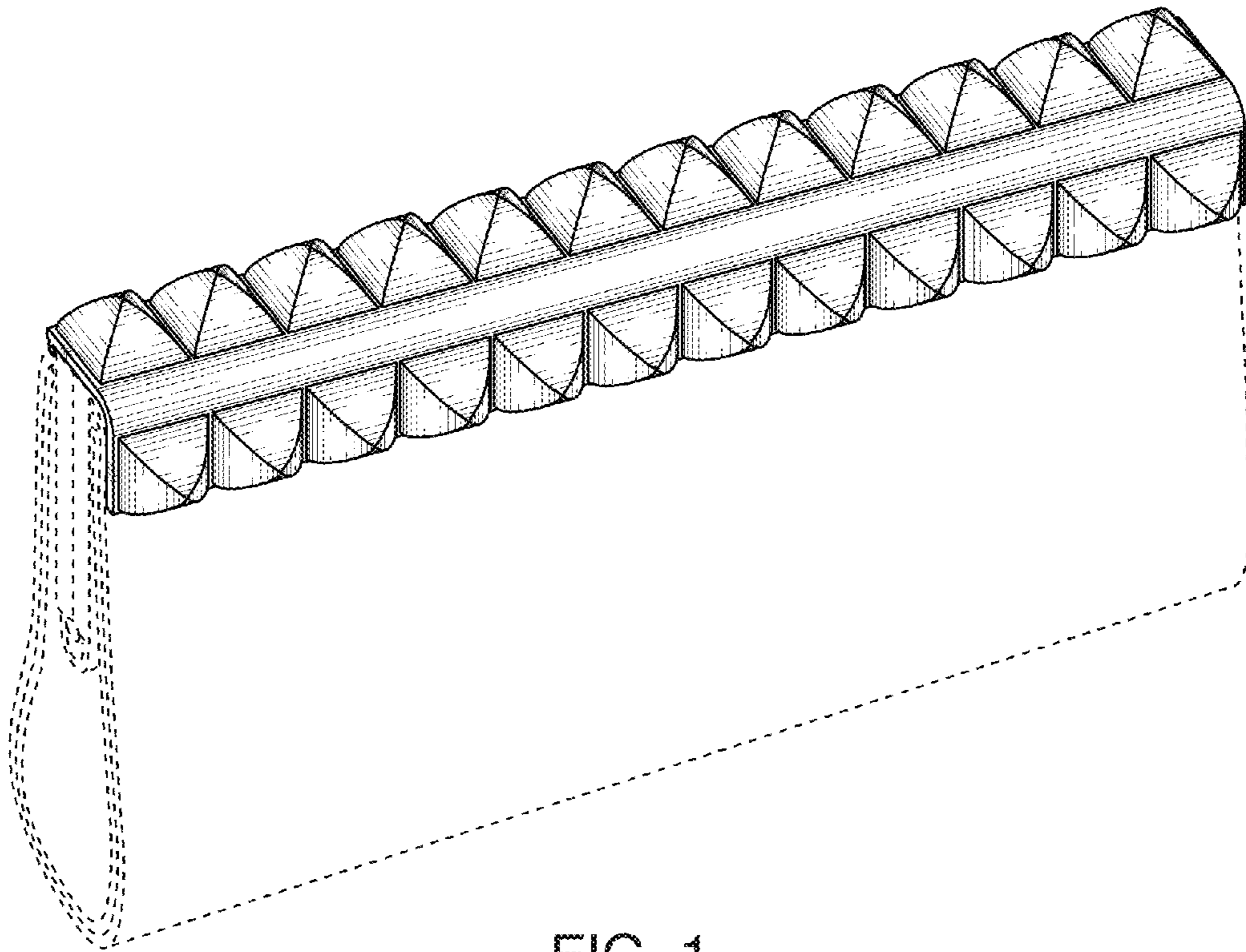


FIG. 1

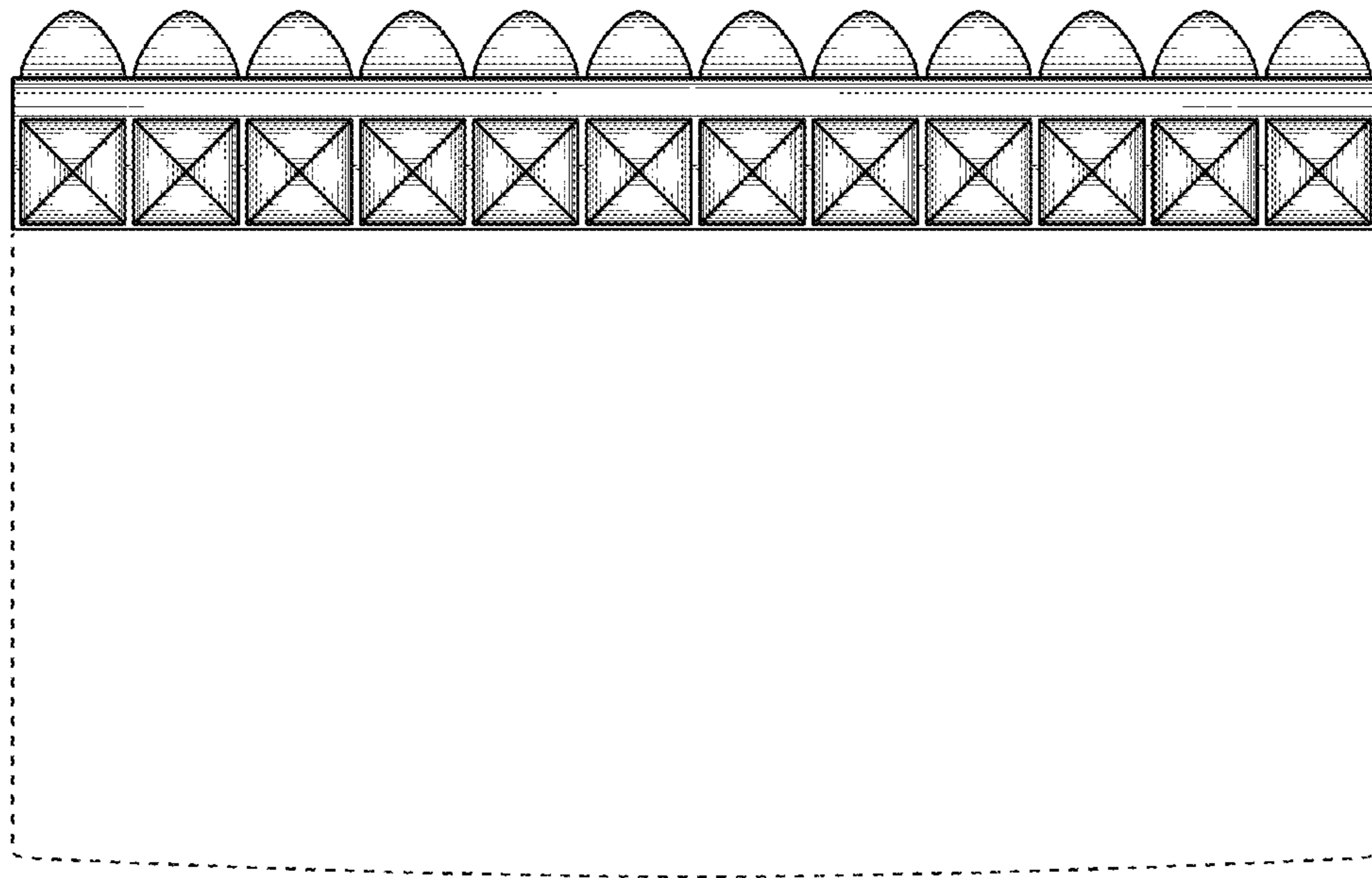


FIG. 2

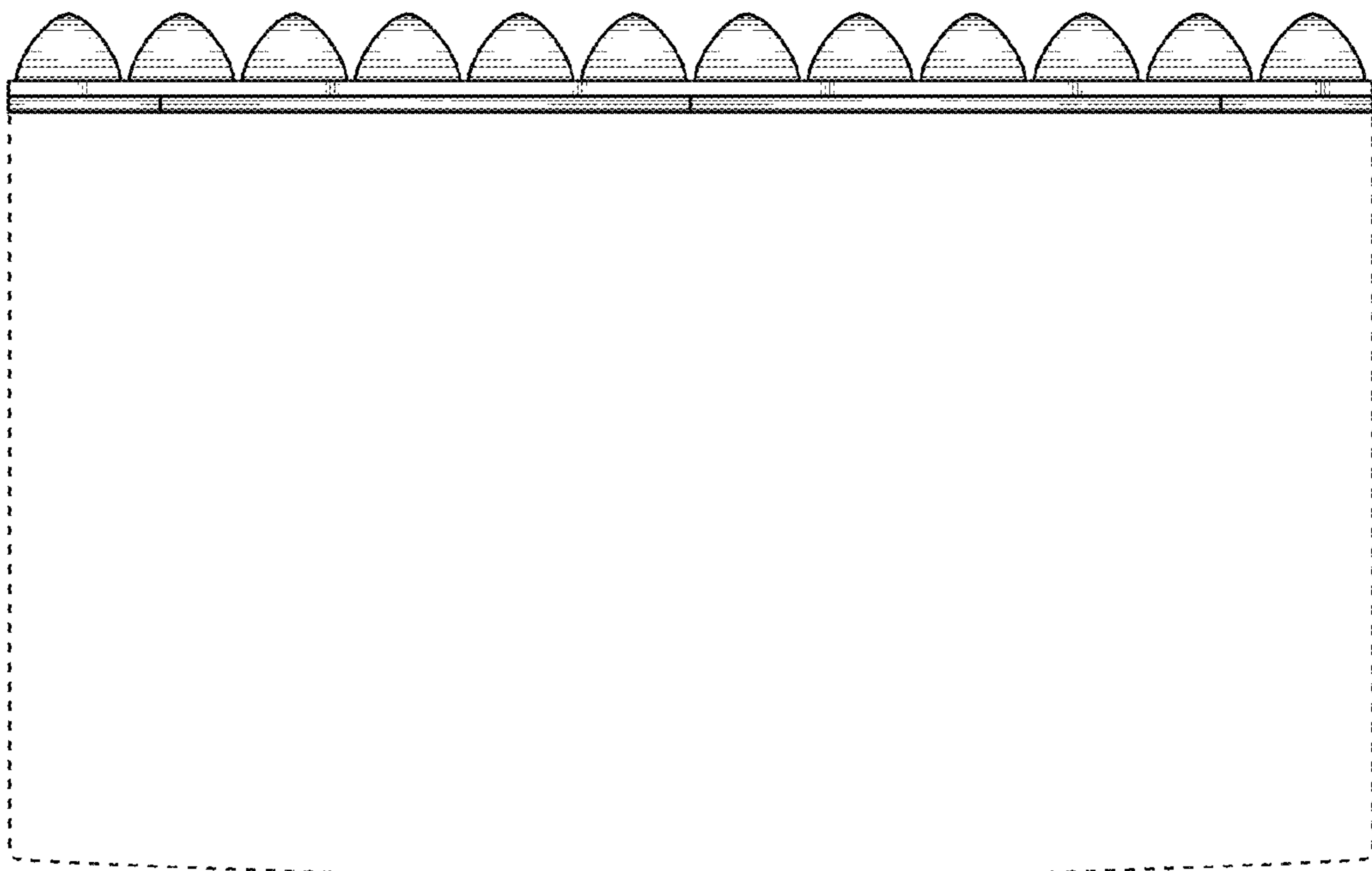


FIG. 3

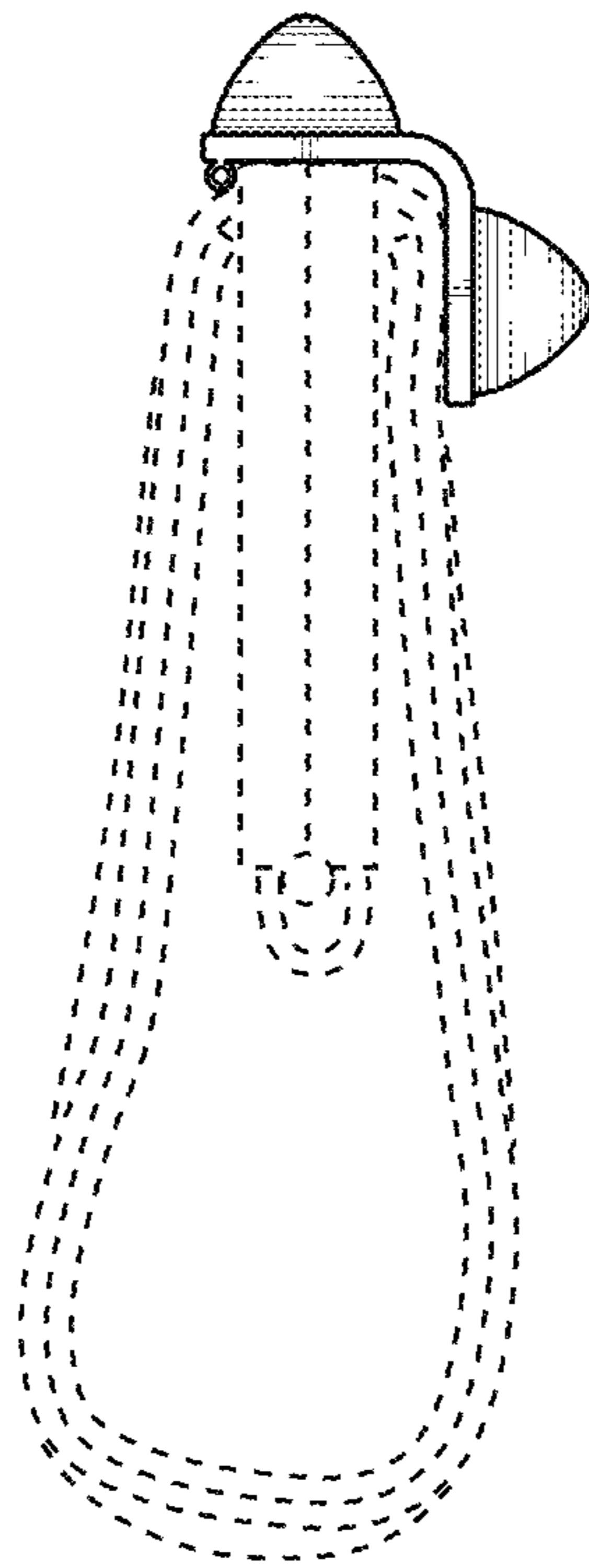


FIG. 4

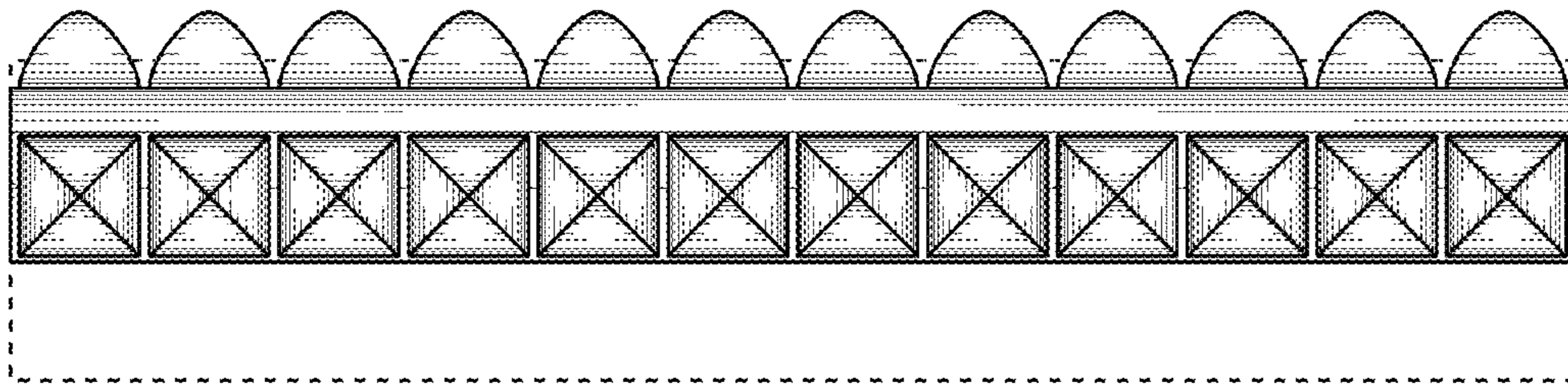


FIG. 5

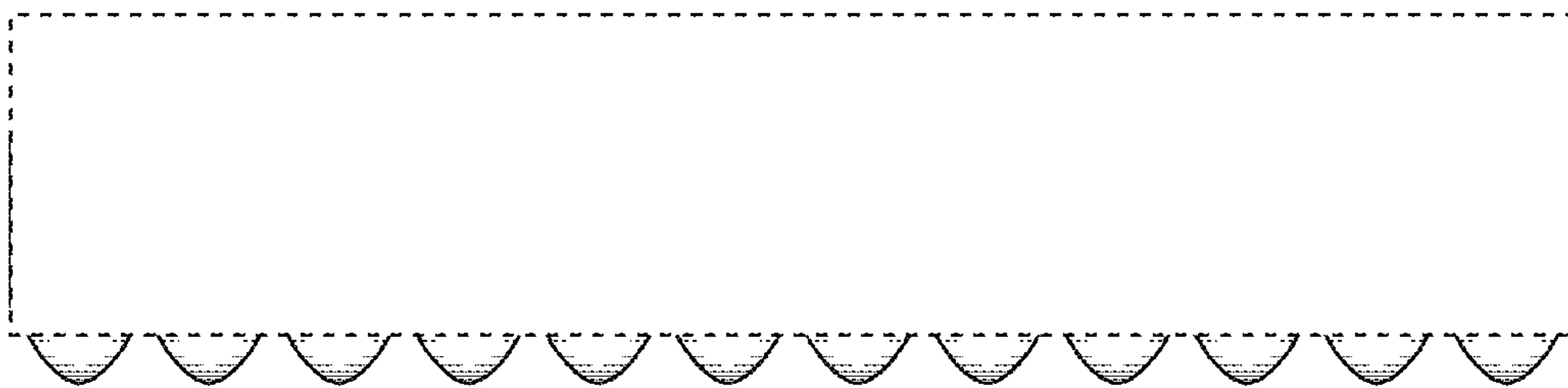


FIG. 6

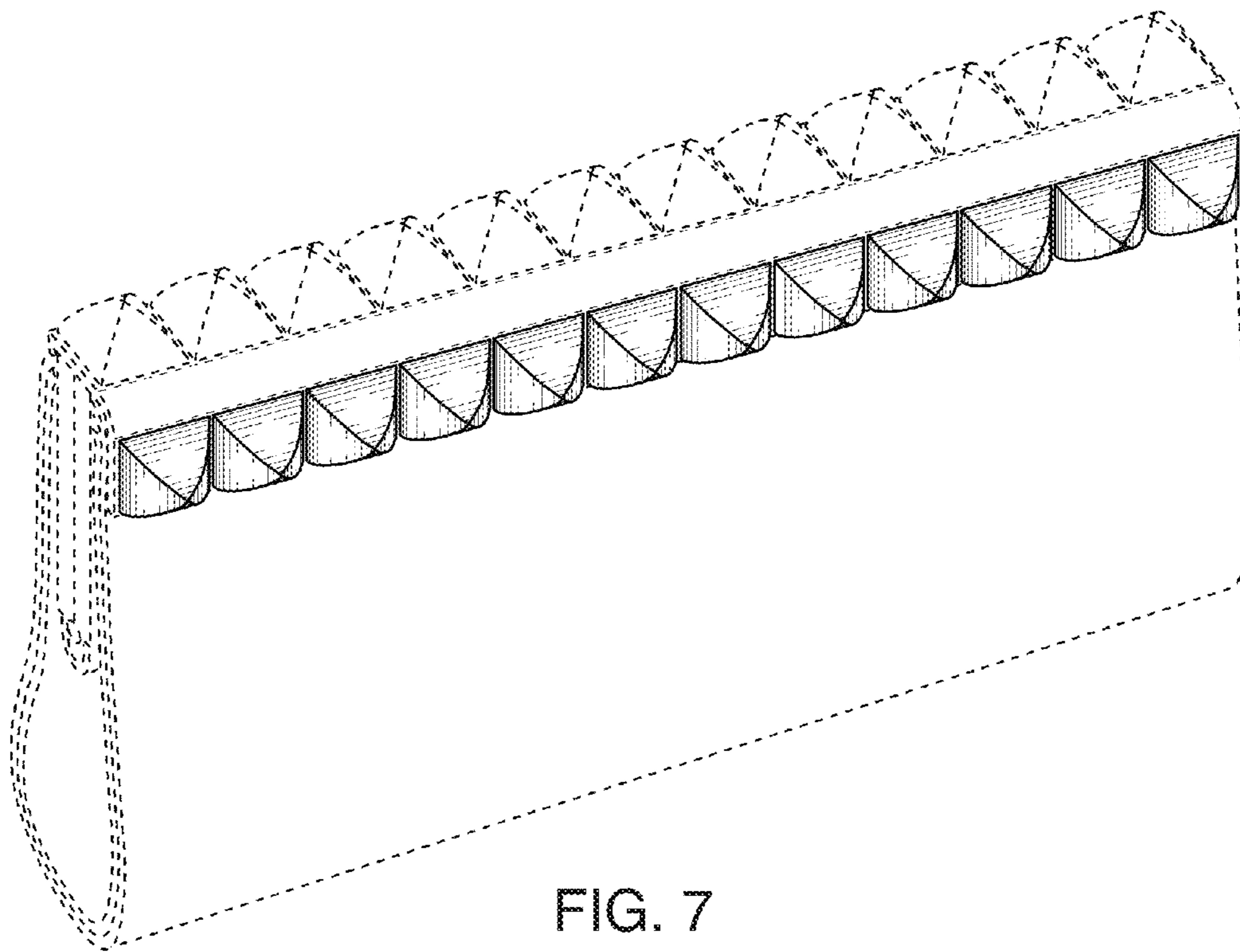


FIG. 7

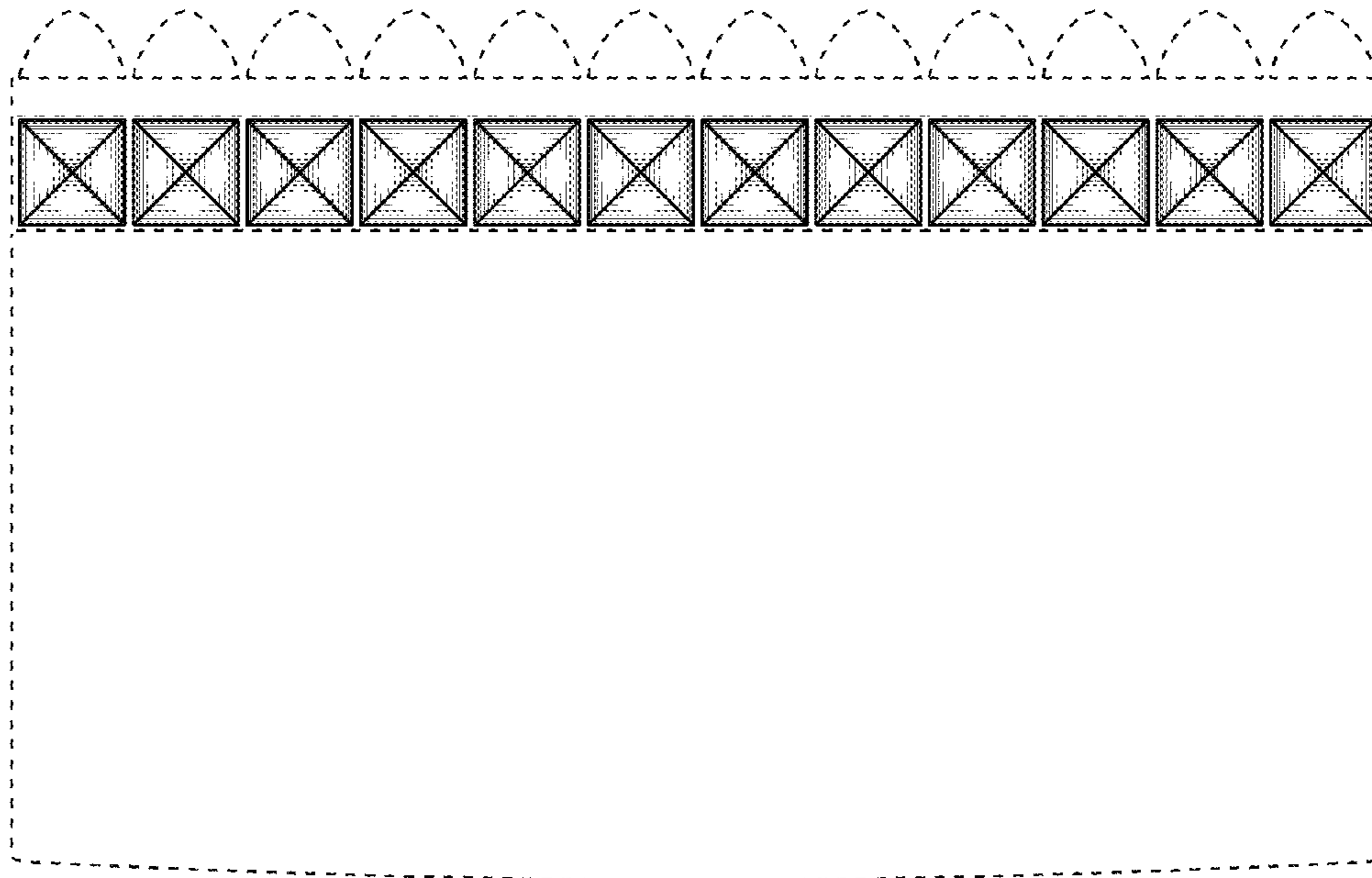


FIG. 8



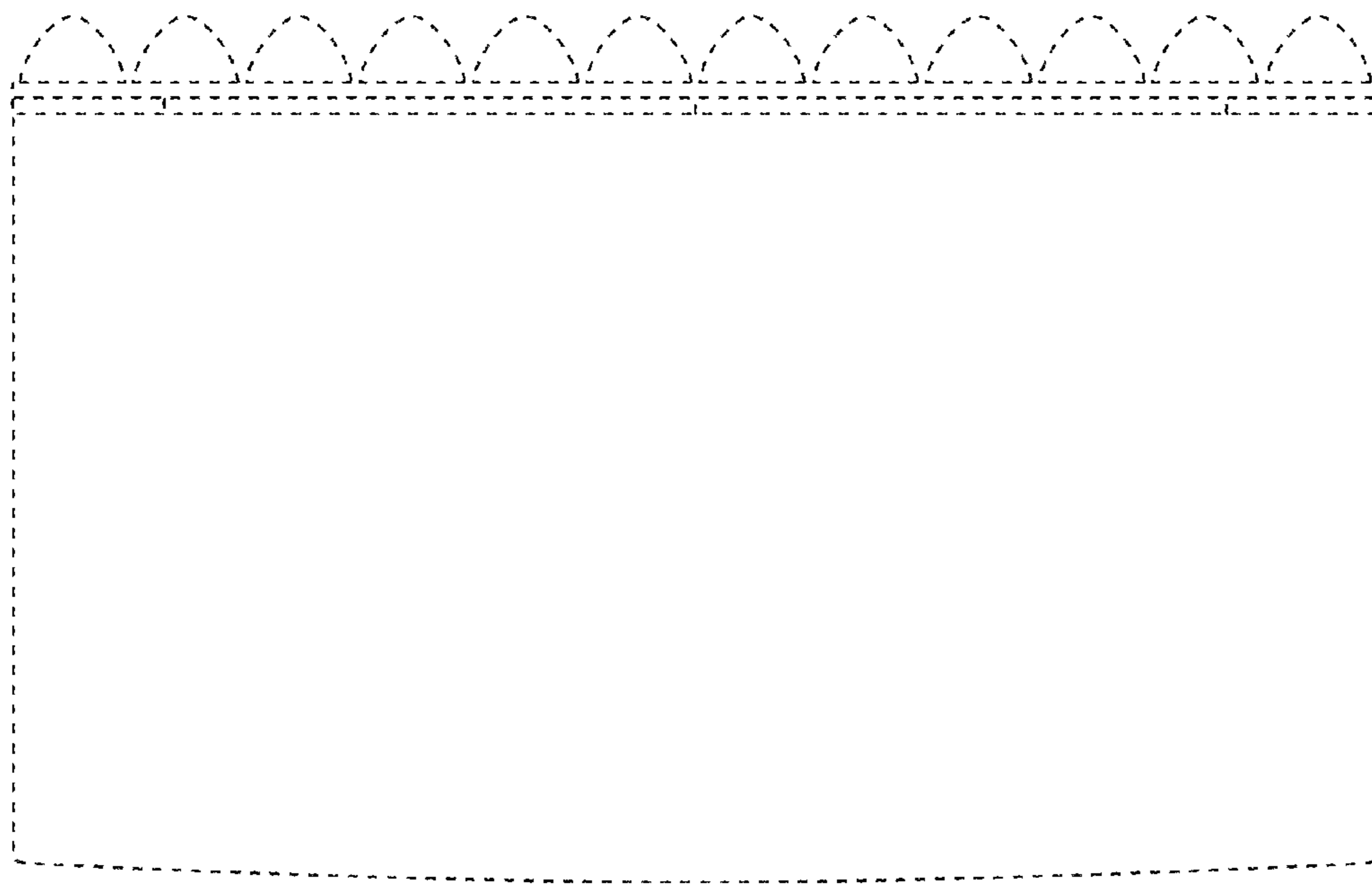


FIG. 9

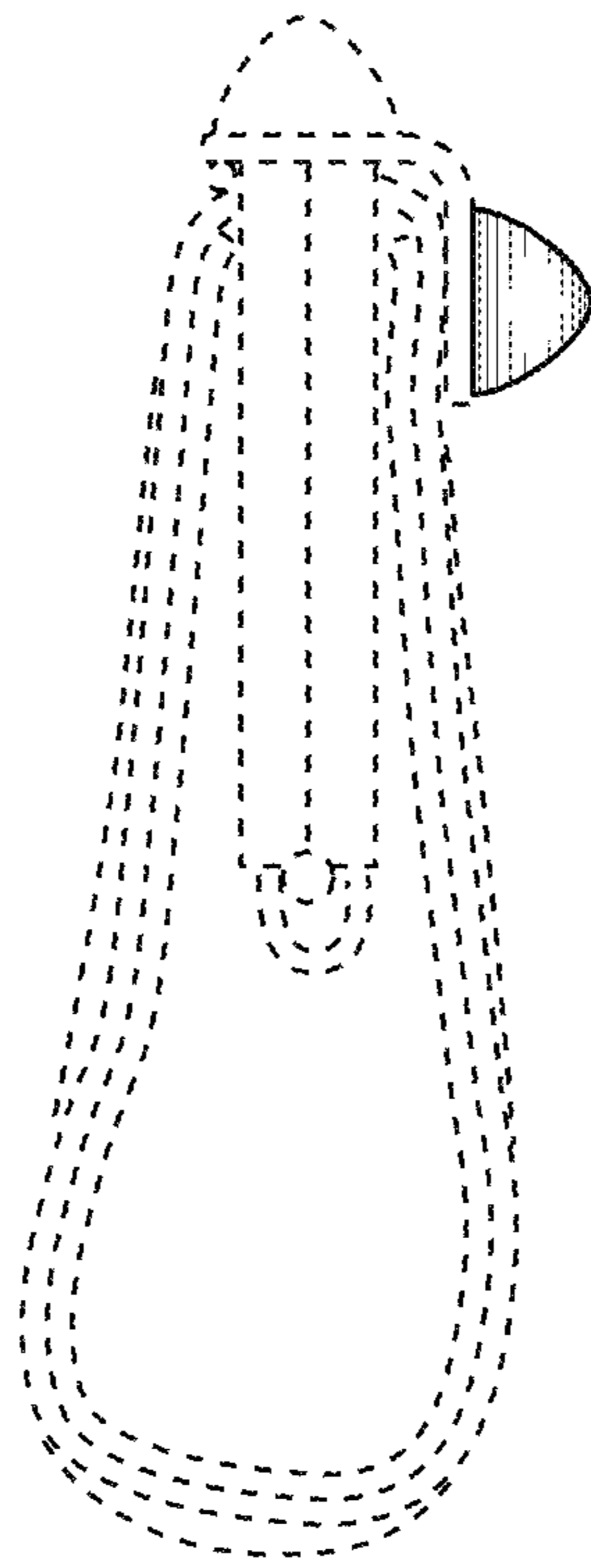


FIG. 10

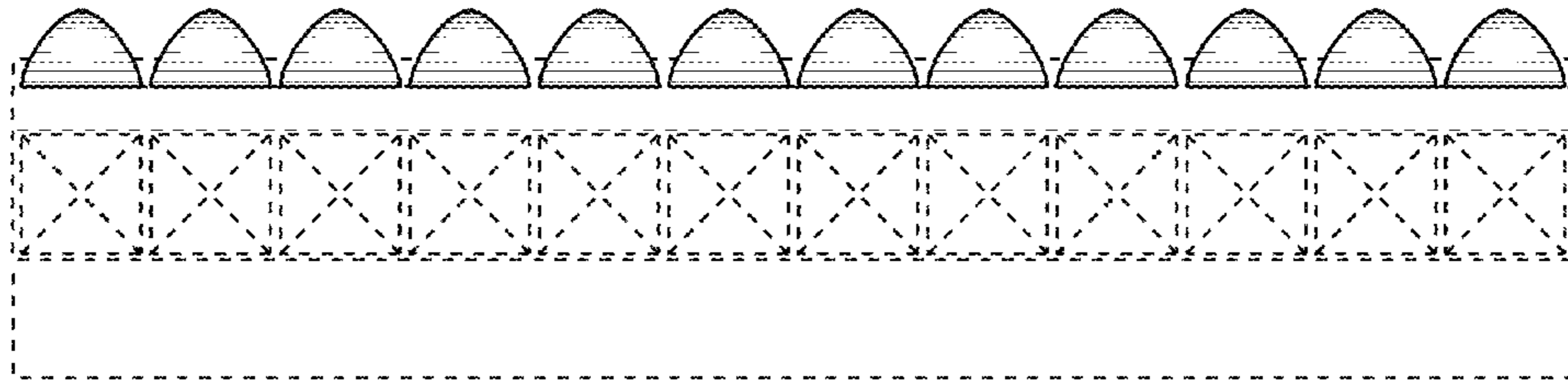


FIG. 11

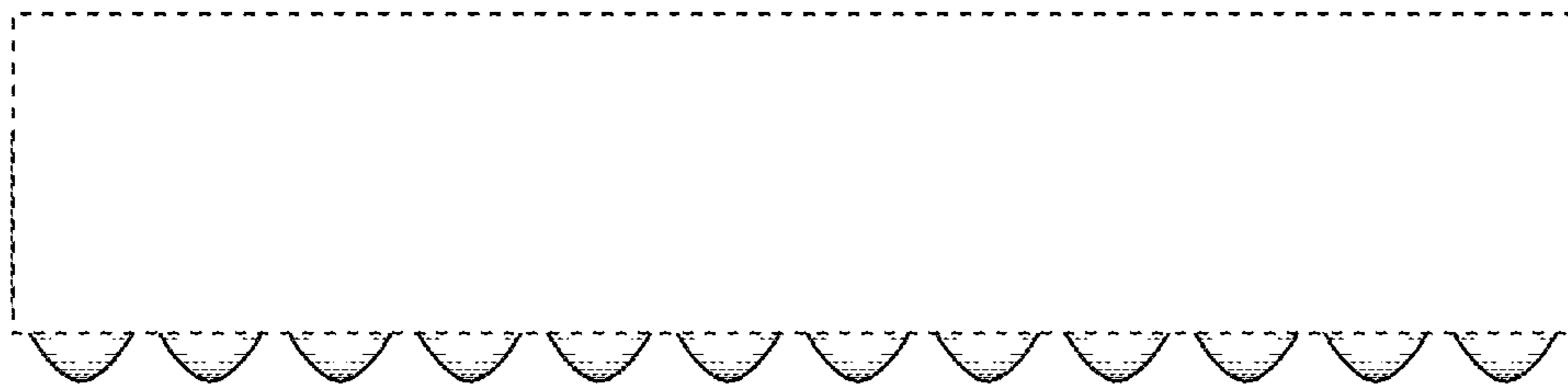


FIG. 12

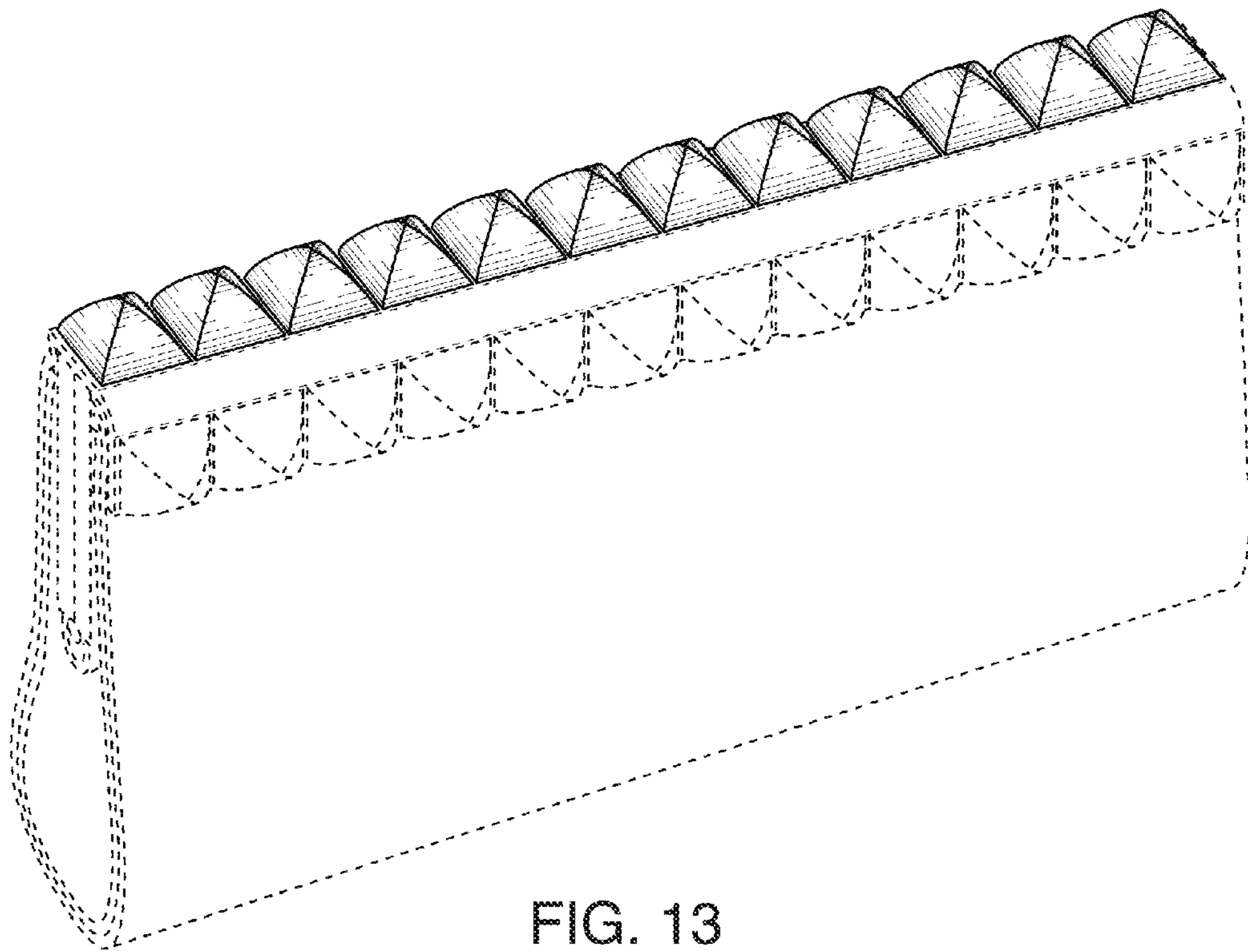


FIG. 13

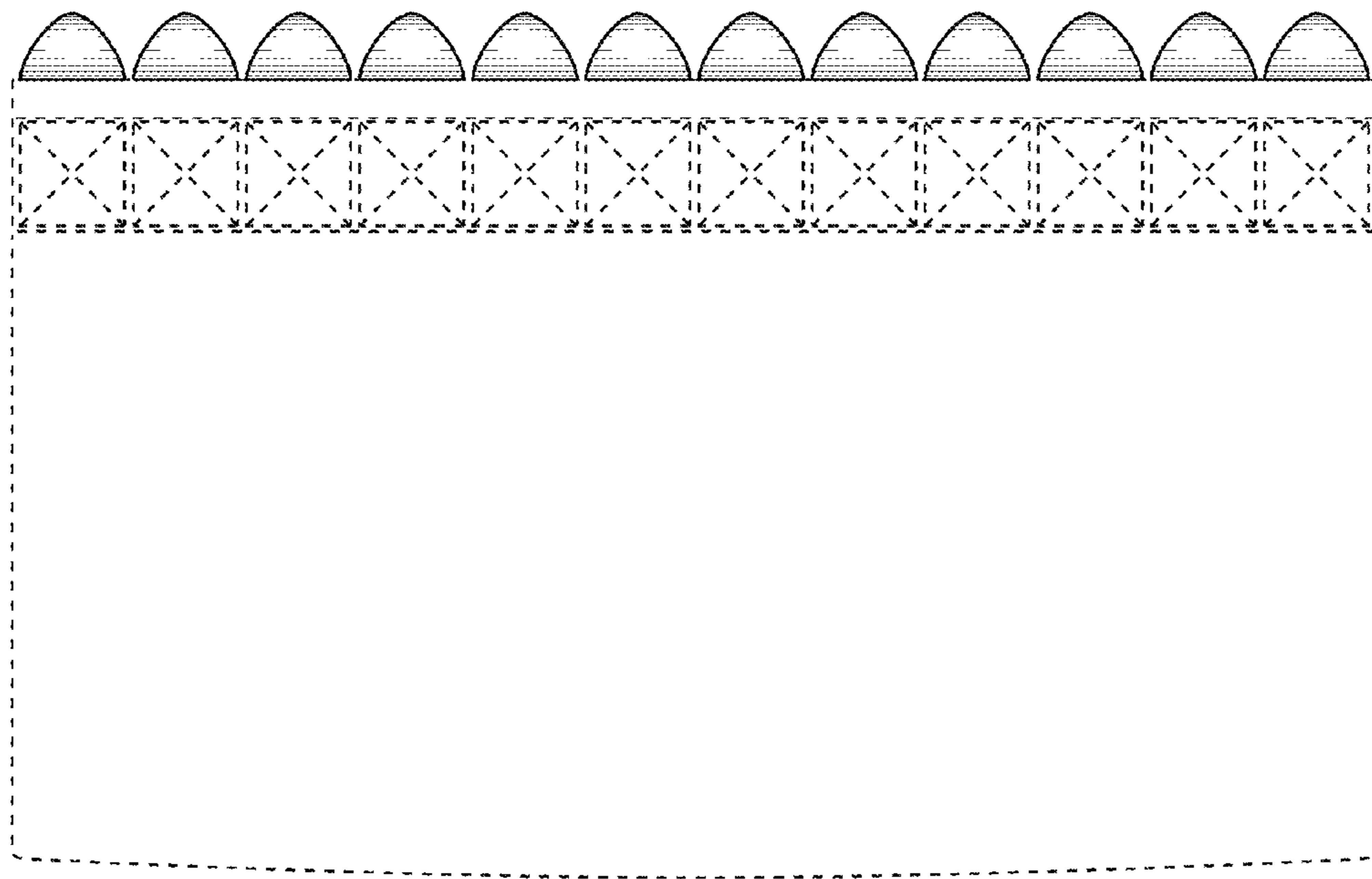


FIG. 14

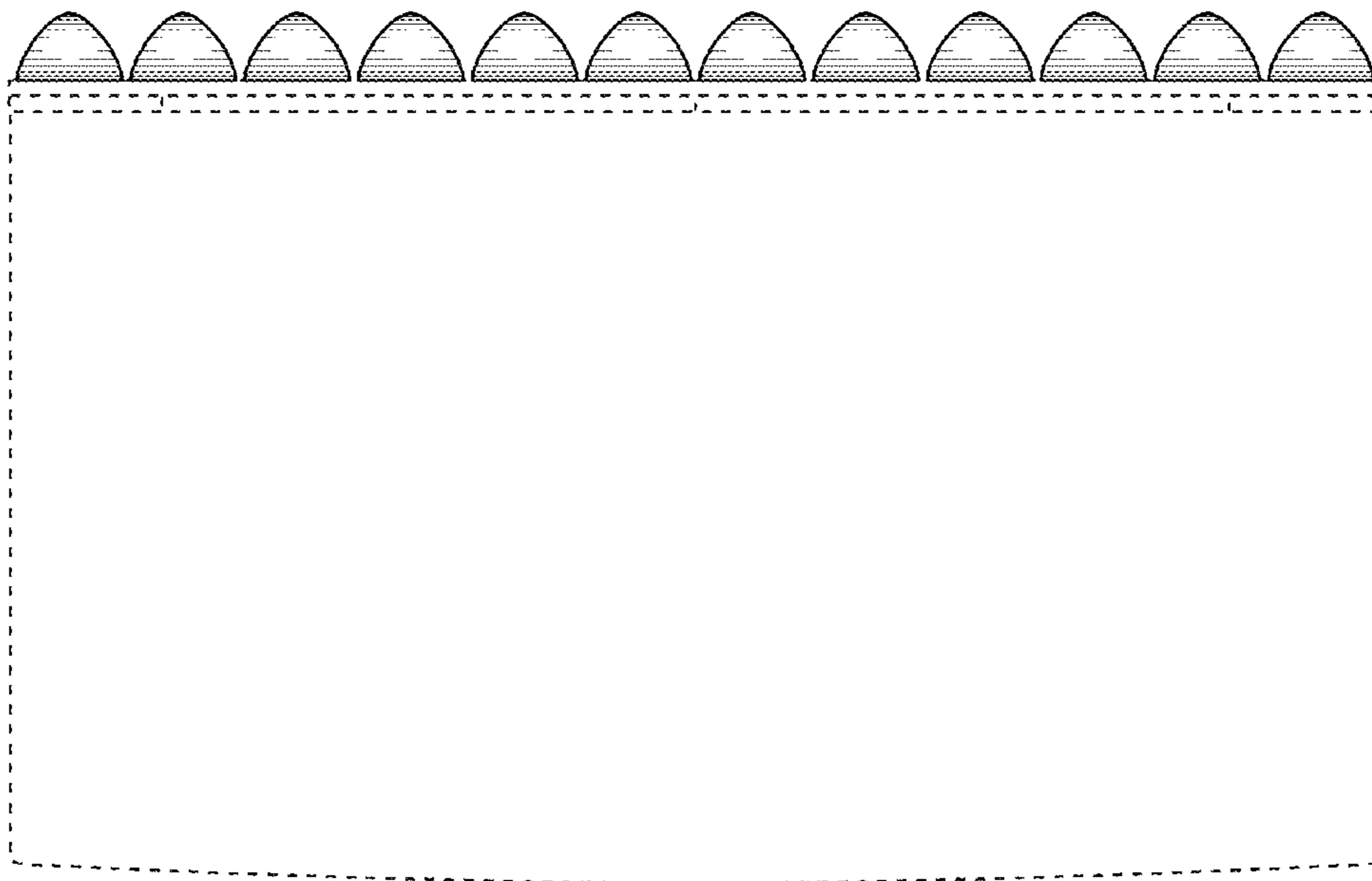


FIG. 15

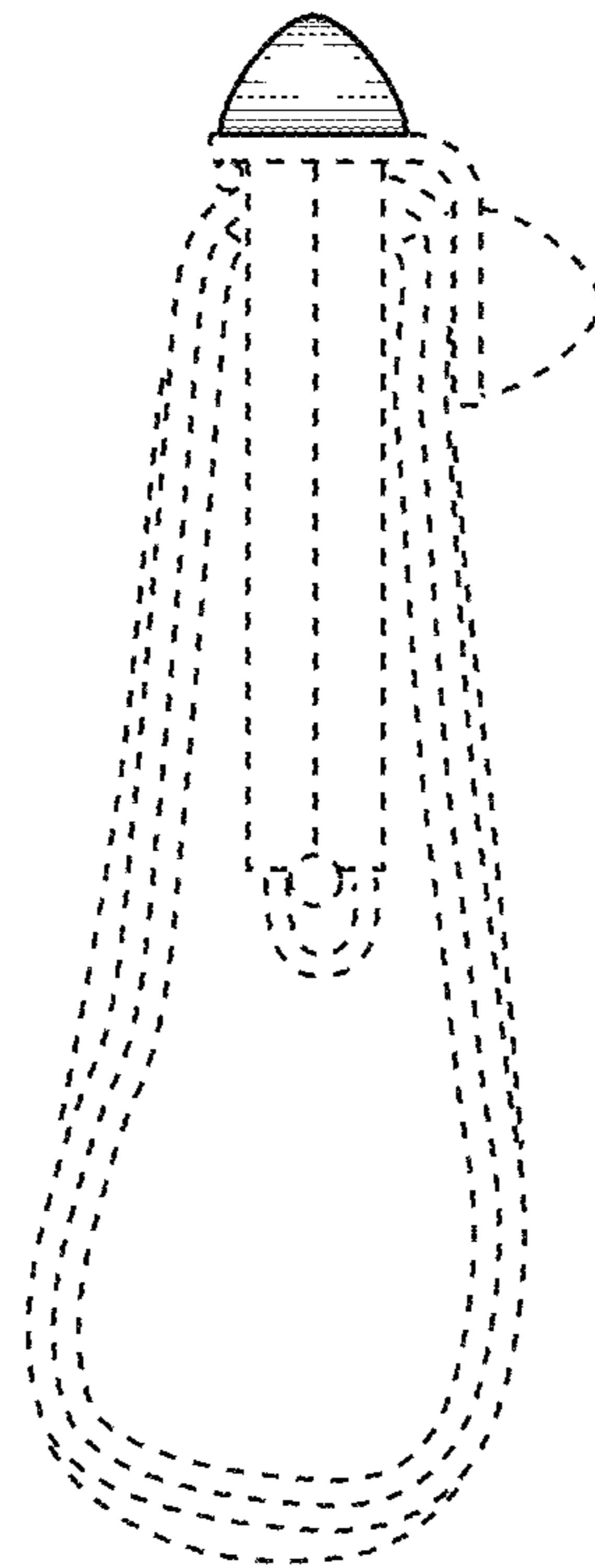


FIG. 16

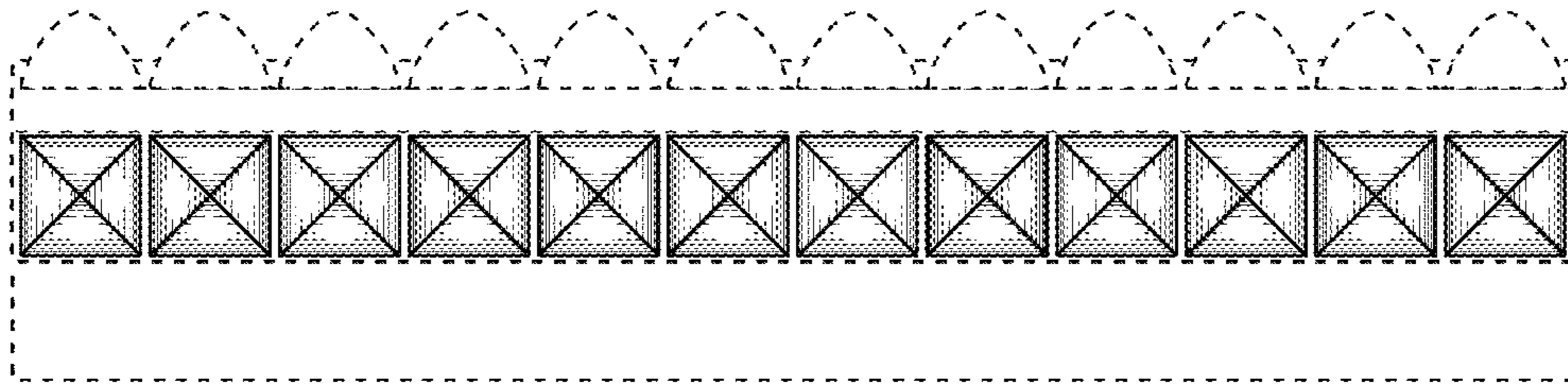


FIG. 17



FIG. 18