



US00D711650S

(12) **United States Design Patent**
Costello et al.

(10) **Patent No.:** **US D711,650 S**

(45) **Date of Patent:** **** *Aug. 26, 2014**

(54) **MULTI-PURPOSE BUCKET**

(76) Inventors: **Wade R. Costello**, Milton, VT (US);
Kenneth Mayo, Milton, VT (US)

(*) Notice: This patent is subject to a terminal disclaimer.

(**) Term: **14 Years**

(21) Appl. No.: **29/420,646**

(22) Filed: **May 11, 2012**

(51) **LOC (10) Cl.** **03-01**

(52) **U.S. Cl.**
USPC **D3/283**; D3/260; D3/297

(58) **Field of Classification Search**
USPC 206/315.11, 373, 372; 43/21.2,
43/54.1-57; D3/260, 273, 274, 276,
D3/283-284, 286, 288, 291, 294, 295-296,
D3/298, 315; D32/35.37

See application file for complete search history.

(56) **References Cited**

U.S. PATENT DOCUMENTS

D176,943	S	2/1956	Edmonds et al.
2,870,932	A	1/1959	Davis
3,751,845	A	8/1973	van Leeuwen
4,765,472	A	8/1988	Dent
4,826,007	A	5/1989	Skeie
4,993,551	A	2/1991	Lindsay
5,123,198	A	6/1992	Von Grossmann
5,319,877	A	6/1994	Hagen
5,529,204	A *	6/1996	Sykes 43/55
5,586,805	A *	12/1996	Rinehart 297/188.09
5,593,061	A *	1/1997	Prochnow 206/315.11
5,634,291	A	6/1997	Pham
5,799,787	A *	9/1998	Talbot 206/315.11
5,802,760	A	9/1998	Campbell

5,848,701	A *	12/1998	Riccabona 206/373
6,237,765	B1	5/2001	Hagen et al.
6,315,310	B1 *	11/2001	Hurt 206/373
D551,861	S *	10/2007	Tate D3/297
7,389,608	B1 *	6/2008	MacKay 43/57
2002/0088729	A1 *	7/2002	Urbanski 206/373
2012/0007391	A1 *	1/2012	McCaslin 297/183.1
2012/0110889	A1 *	5/2012	DeSpiegelaere et al. 43/54.1

* cited by examiner

Primary Examiner — Jennifer Rivard

(74) *Attorney, Agent, or Firm* — Robert C. Montgomery;
Montgomery Patent & Design

(57) **CLAIM**

The ornamental design for a multi-purpose bucket, as shown and described.

DESCRIPTION

FIG. 1 is a perspective front view of a multi-purpose bucket, showing our new design;

FIG. 2 is a front view thereof;

FIG. 3 is a rear view thereof;

FIG. 4 is a left side view thereof;

FIG. 5 is a right side view thereof;

FIG. 6 is a top view thereof;

FIG. 7 is a bottom view thereof;

FIG. 8 is an exploded rear perspective view thereof, a removable drawer assembly being depicted in a removable position for clarity of illustration;

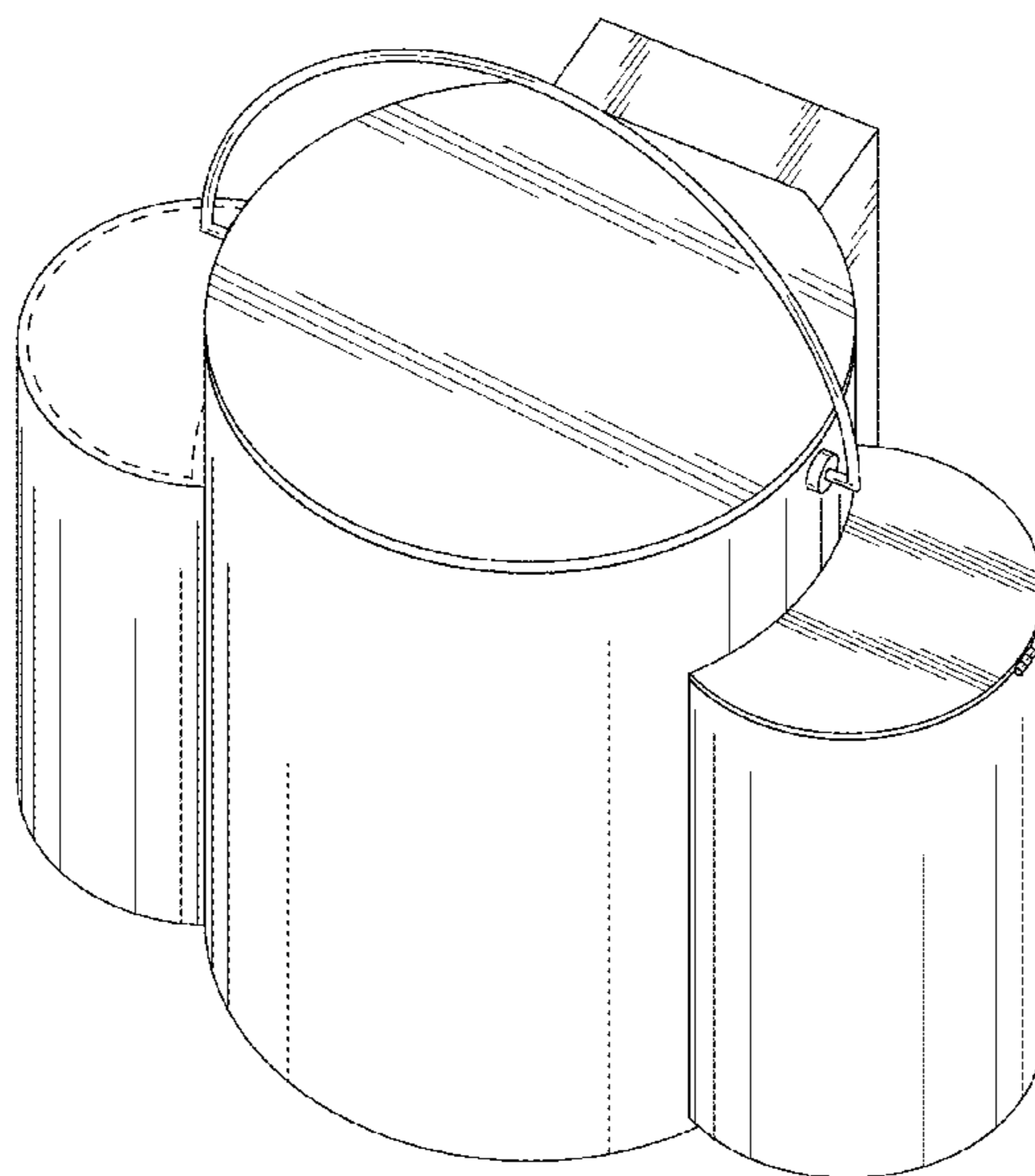
FIG. 9 is an exploded front view of thereof;

FIG. 10 is an exploded rear view thereof; and,

FIG. 11 is a front perspective view thereof, hinged lids being depicted in an open position for clarity of illustration.

The broken lines shown in the drawings illustrate the boundary of the claim and form no part of the claimed design.

1 Claim, 11 Drawing Sheets



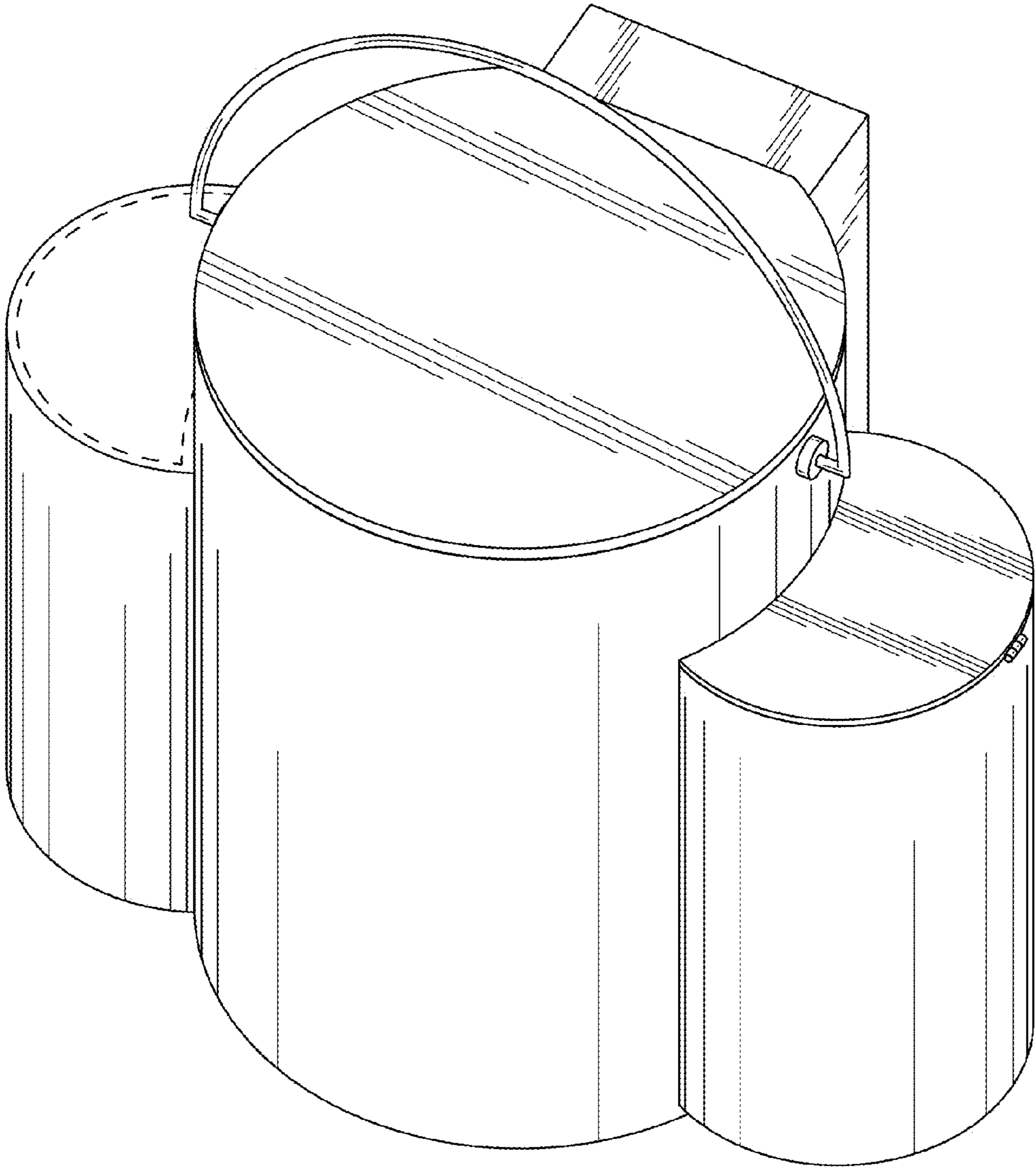


Fig. 1

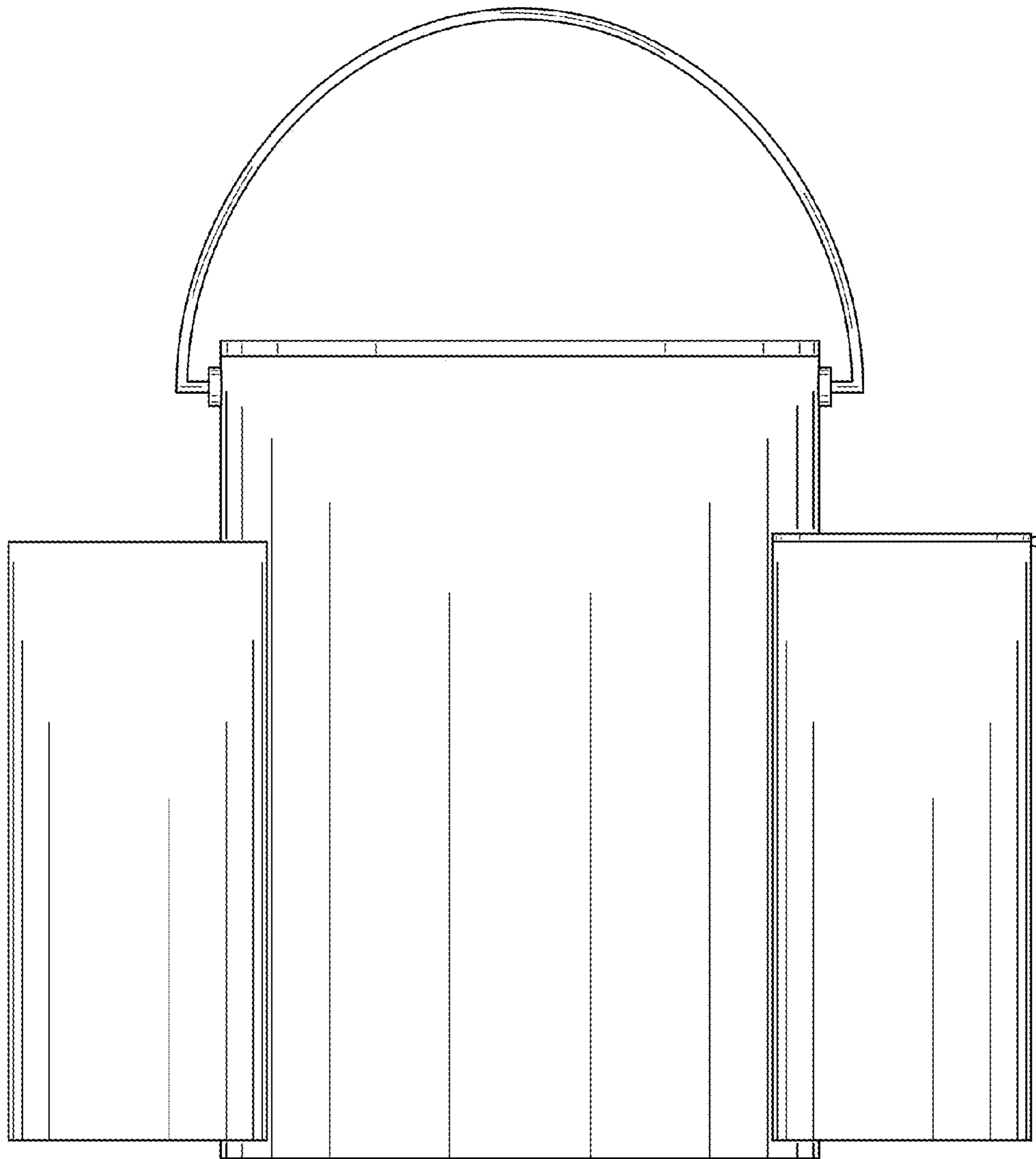


Fig. 2

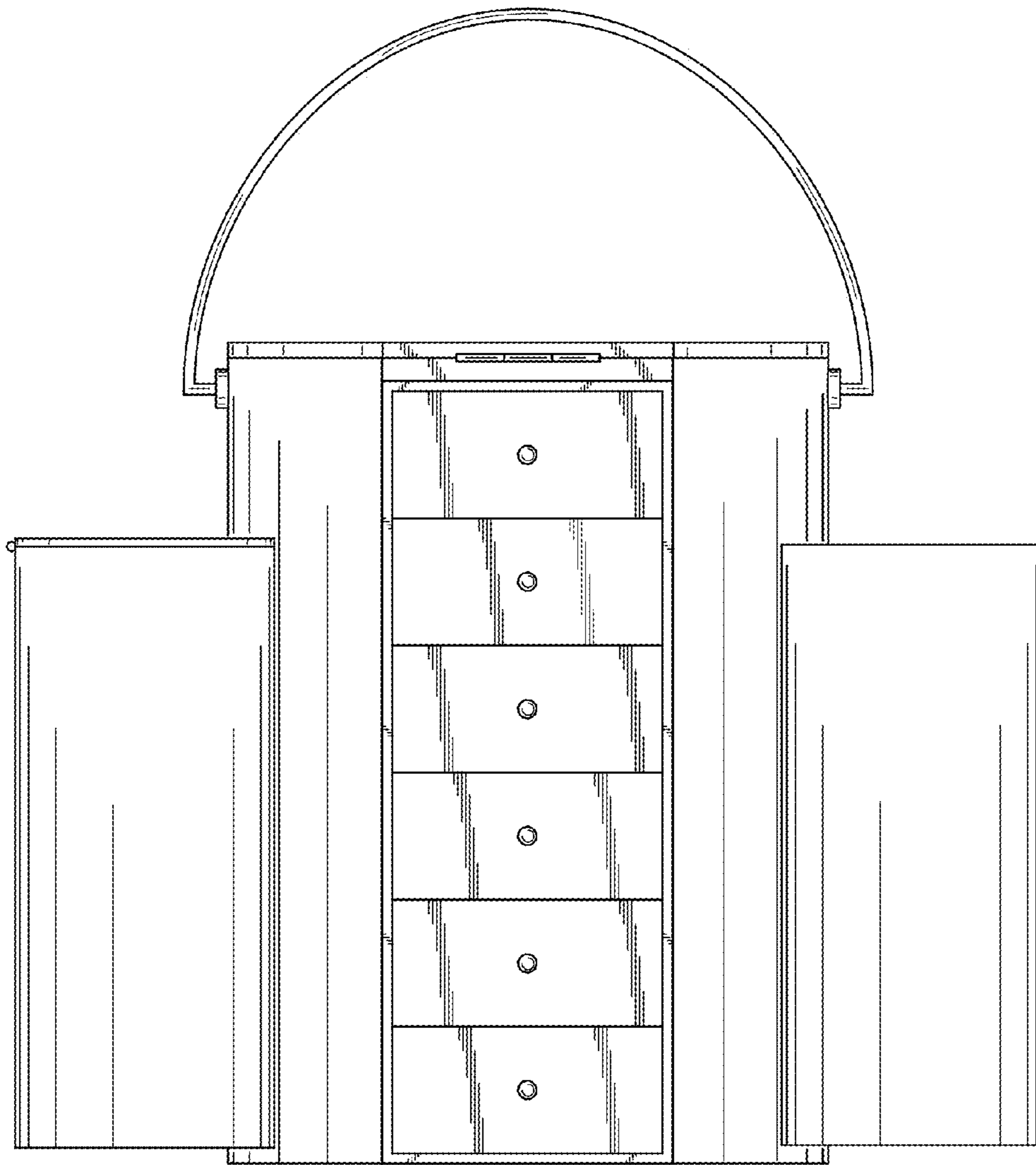


Fig. 3

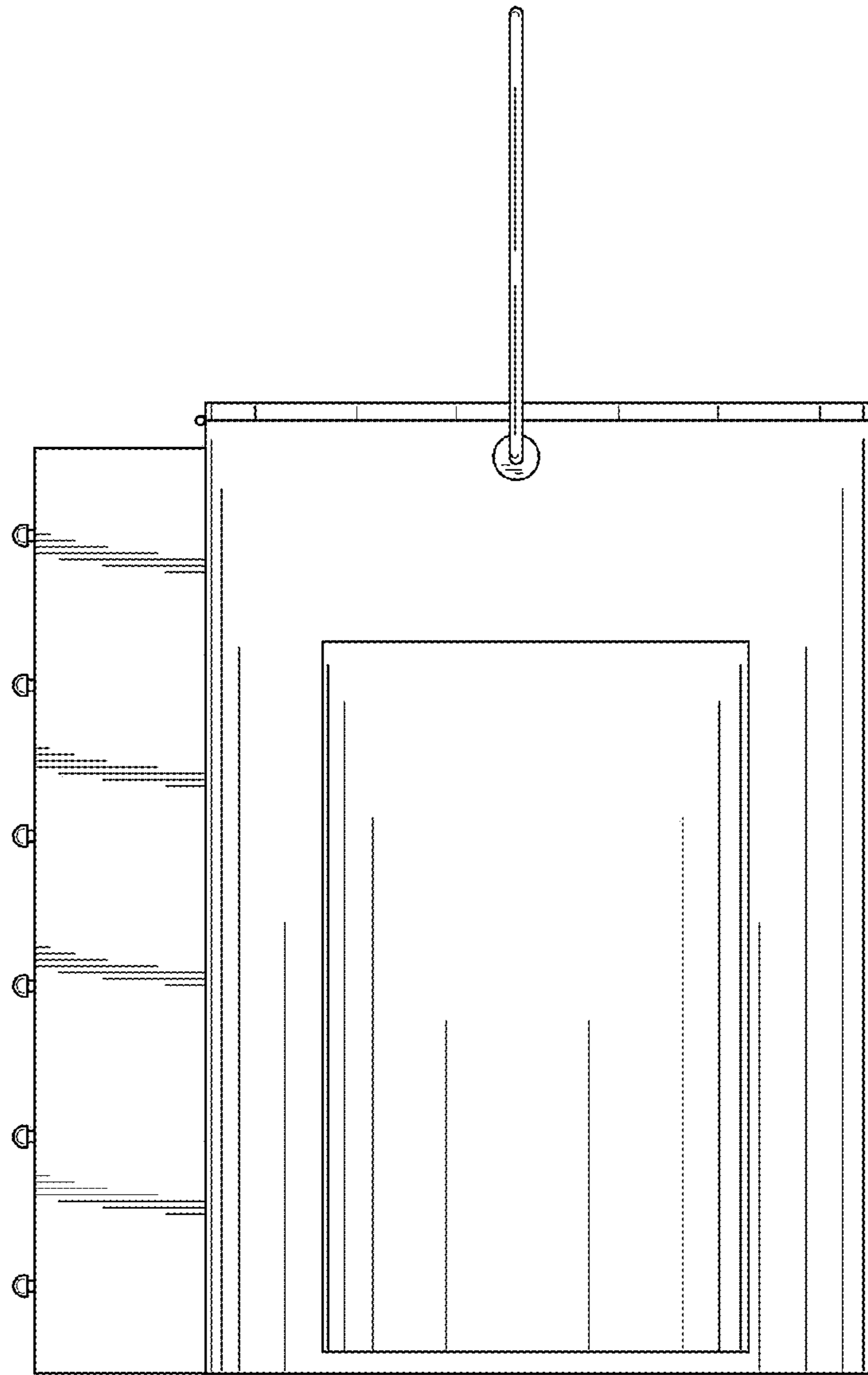


Fig. 4

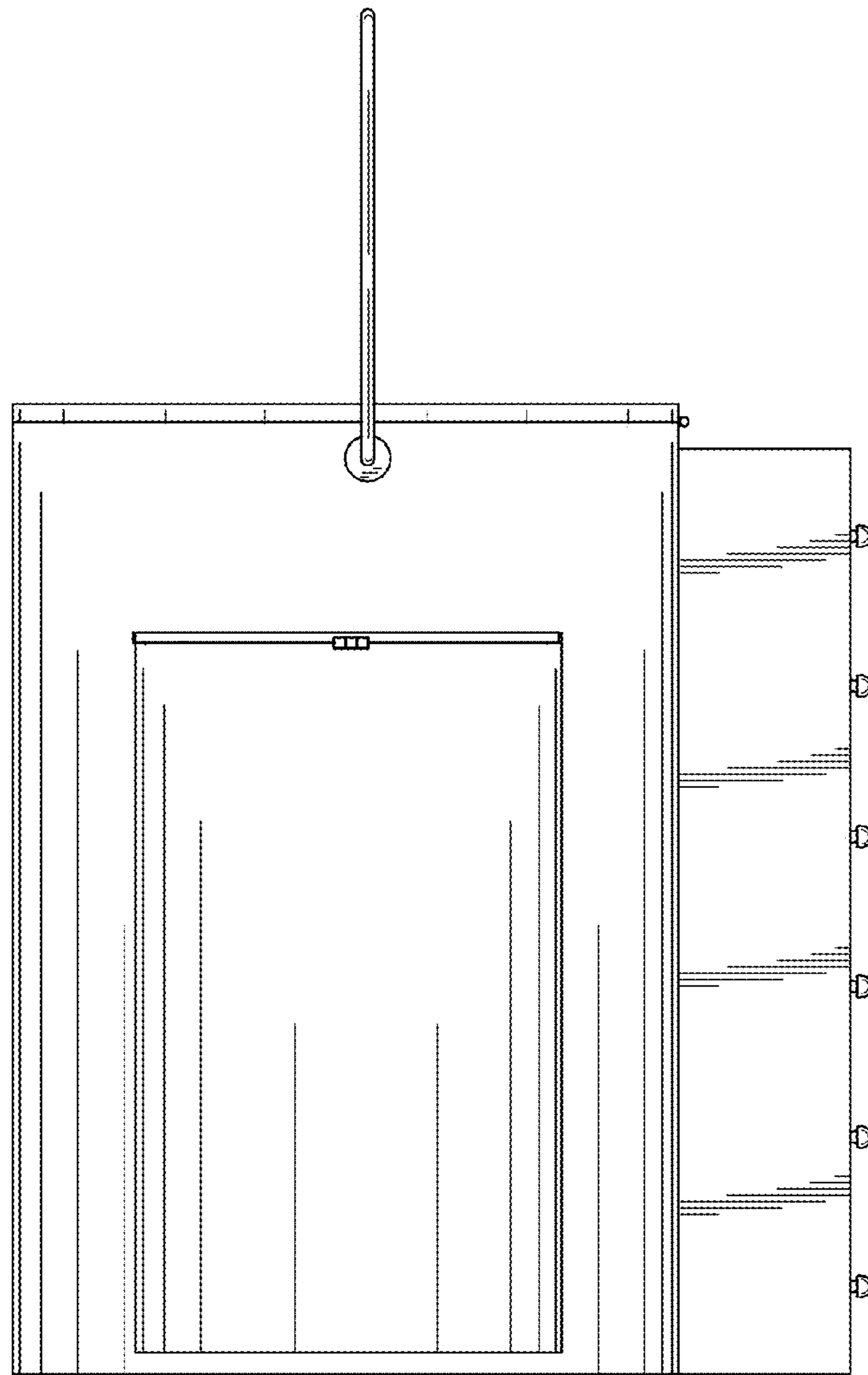


Fig. 5

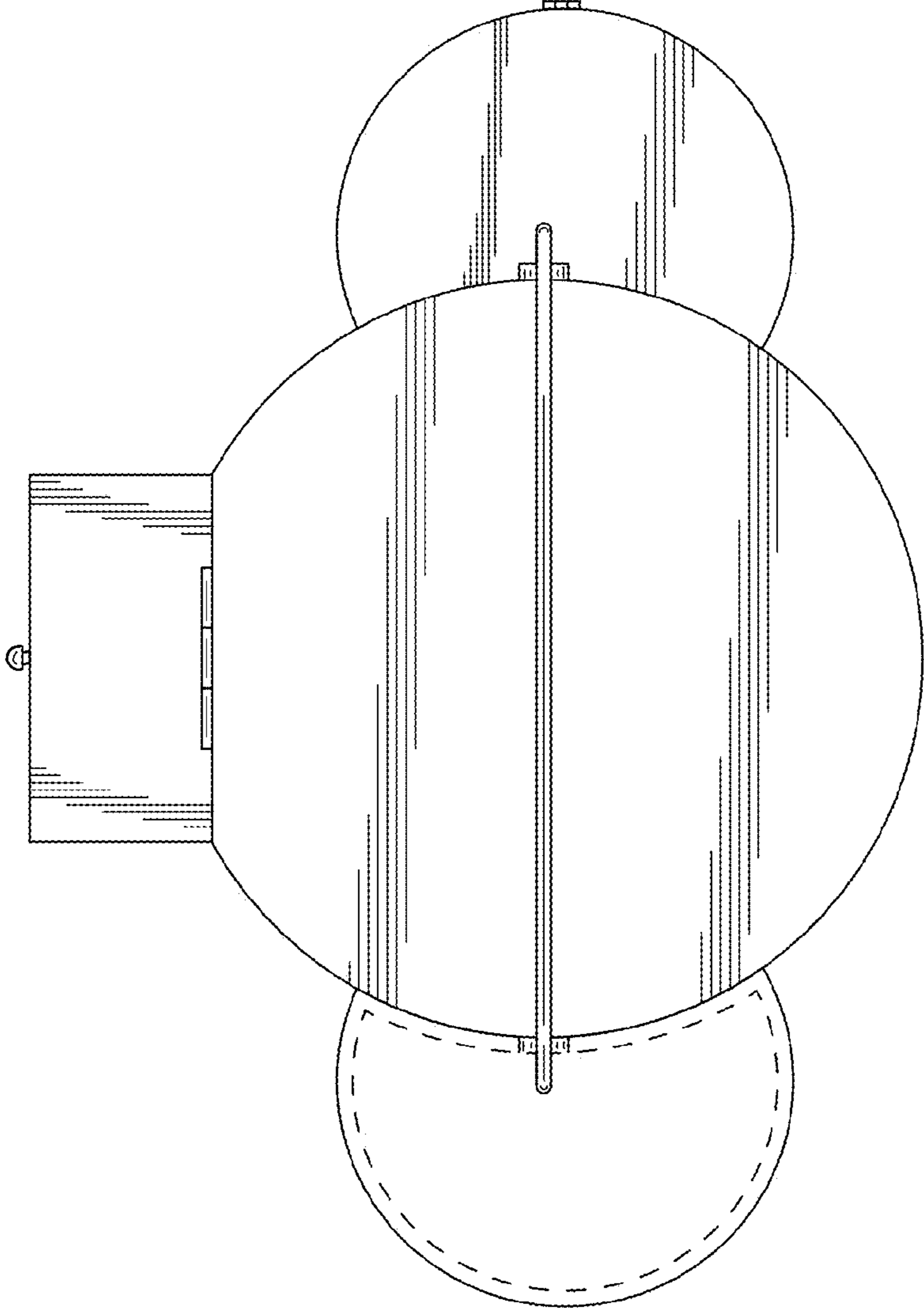


Fig. 6

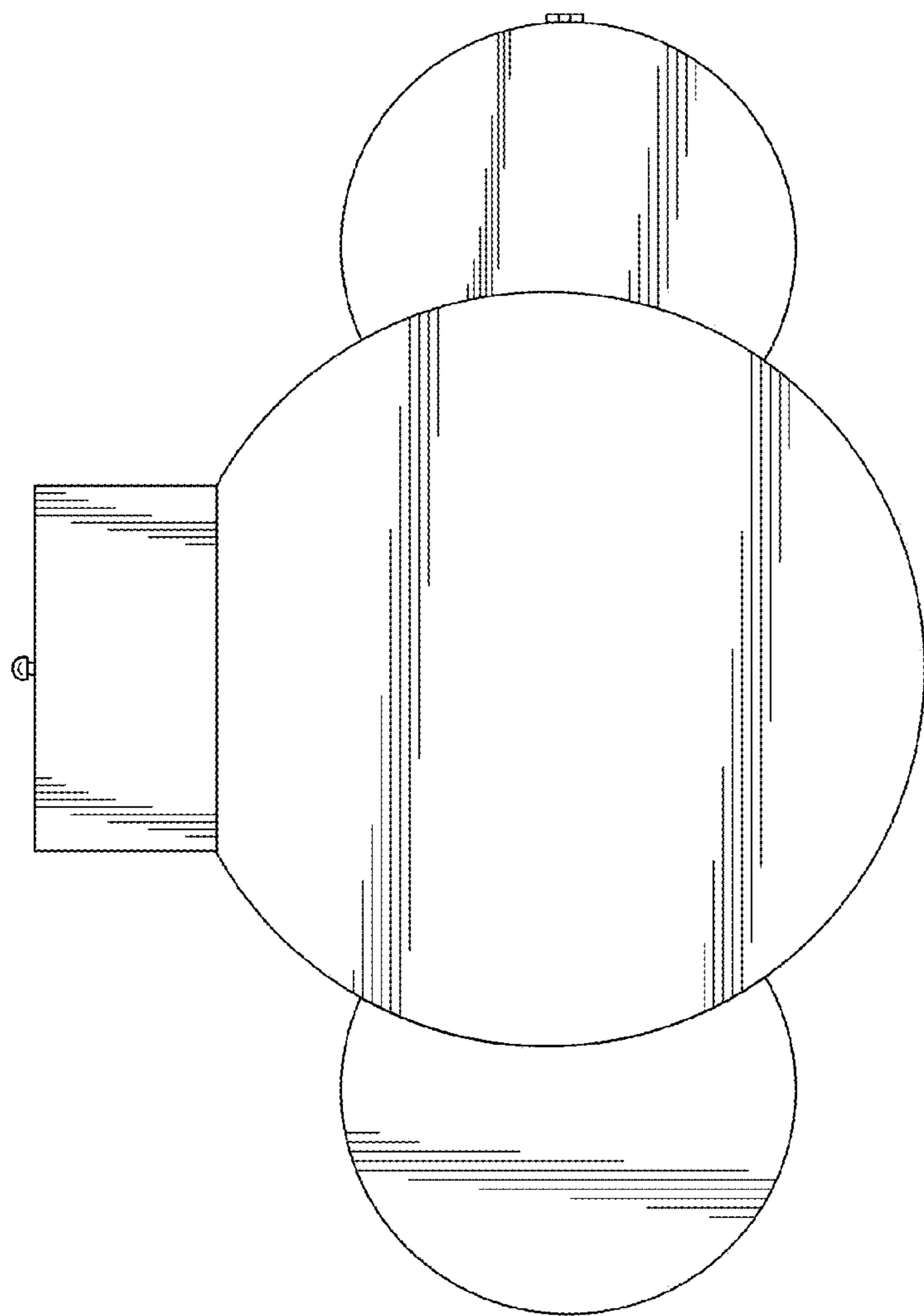


Fig. 7

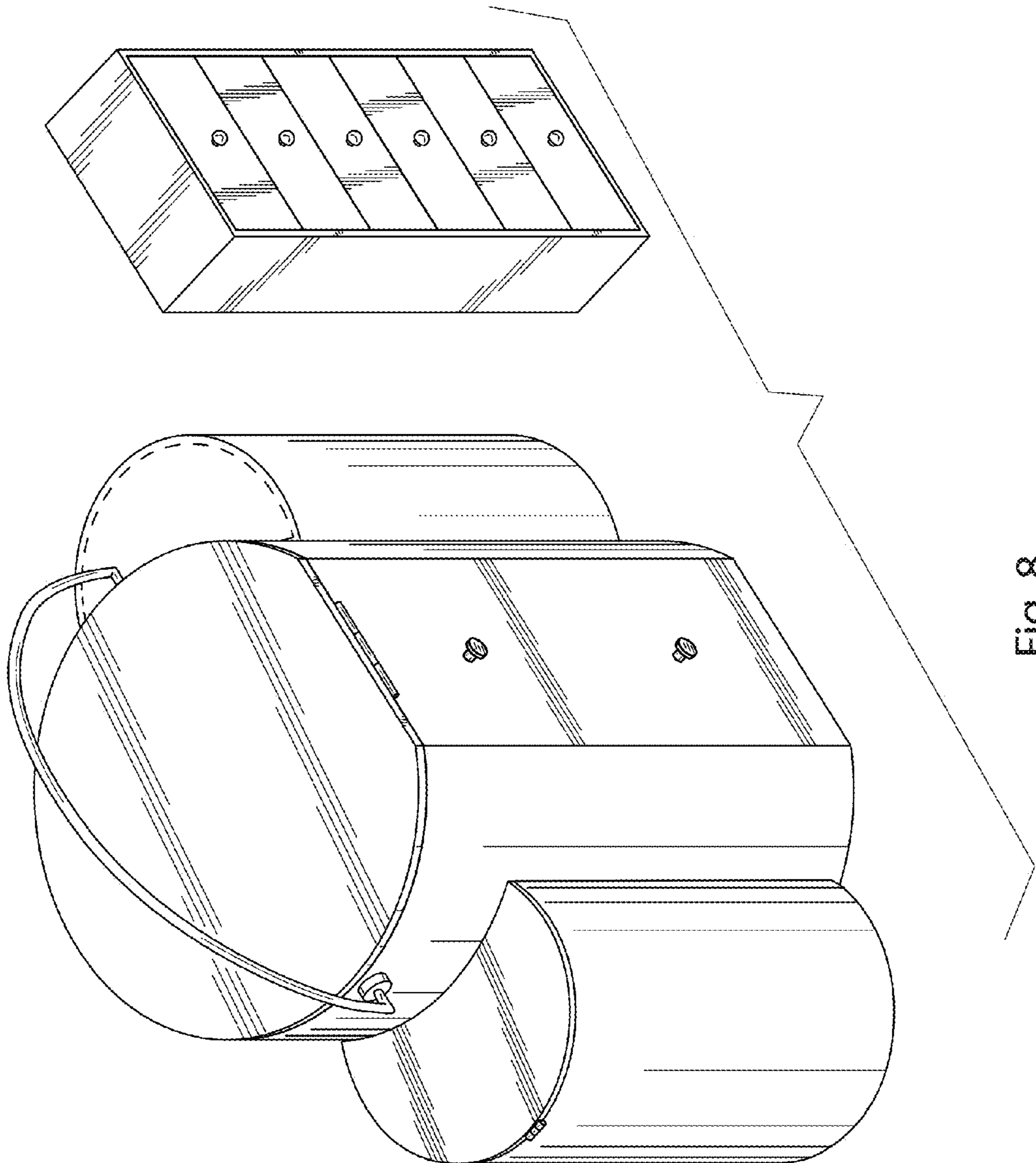


Fig. 8

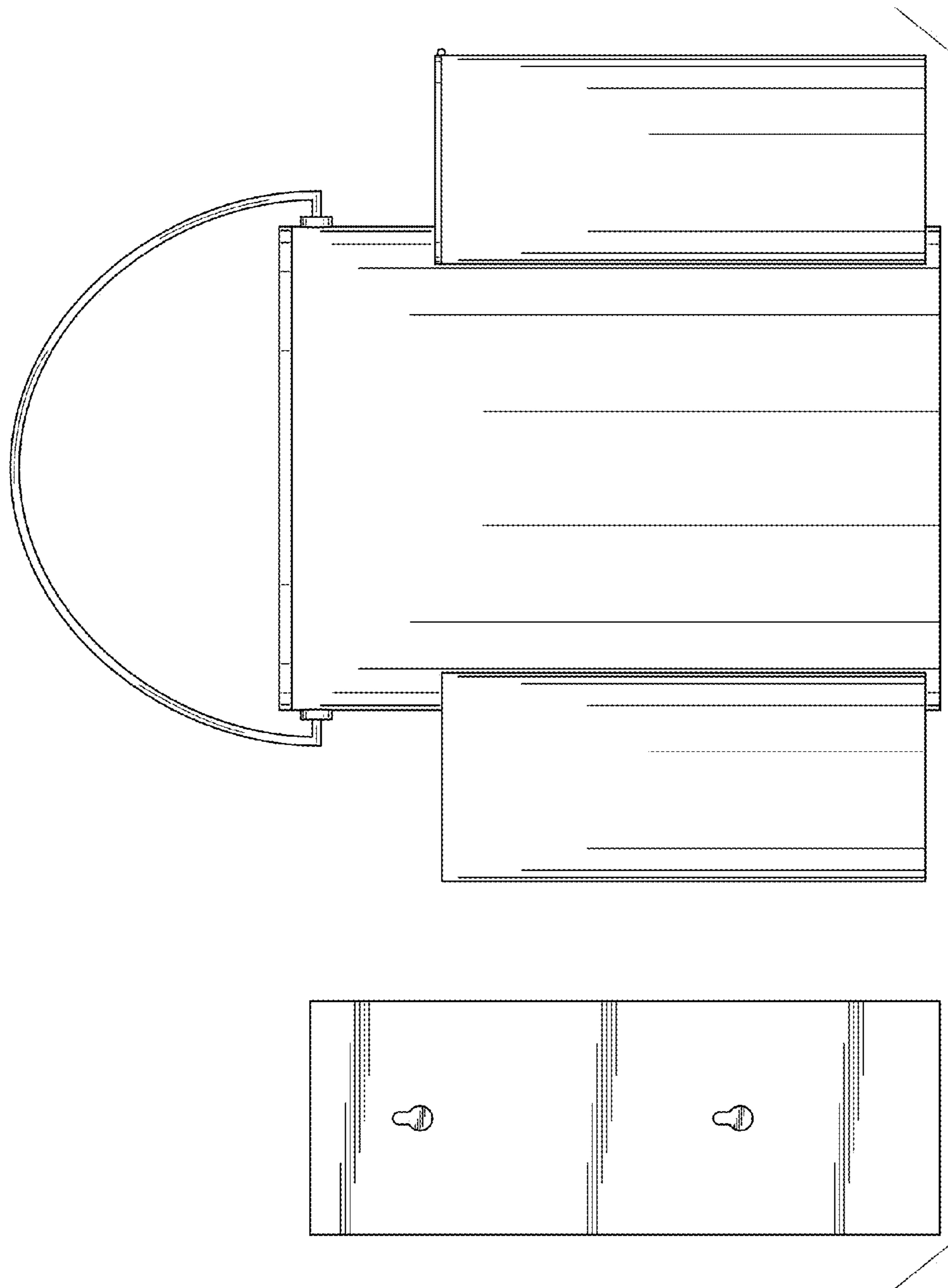


Fig. 9

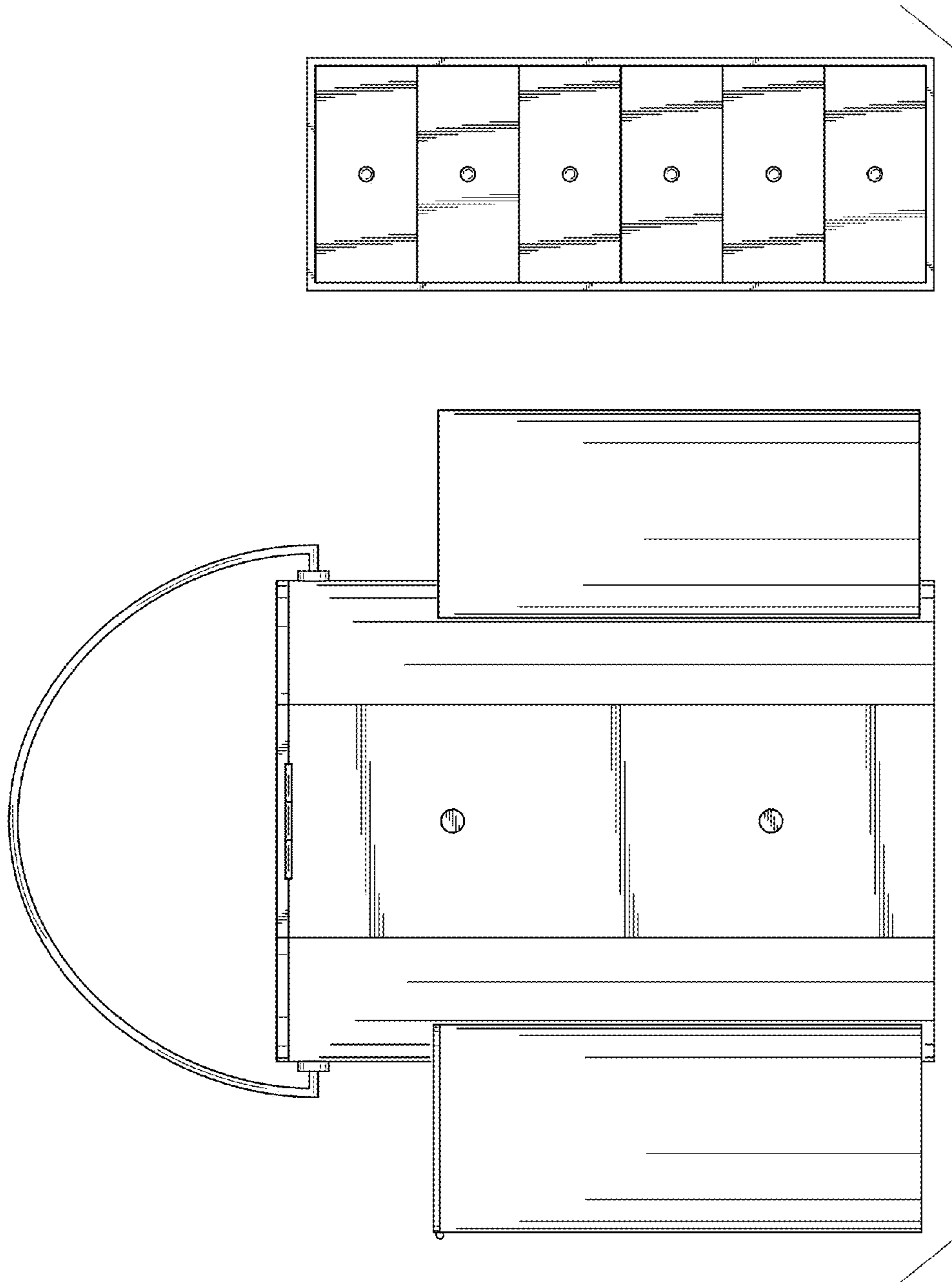


Fig. 10

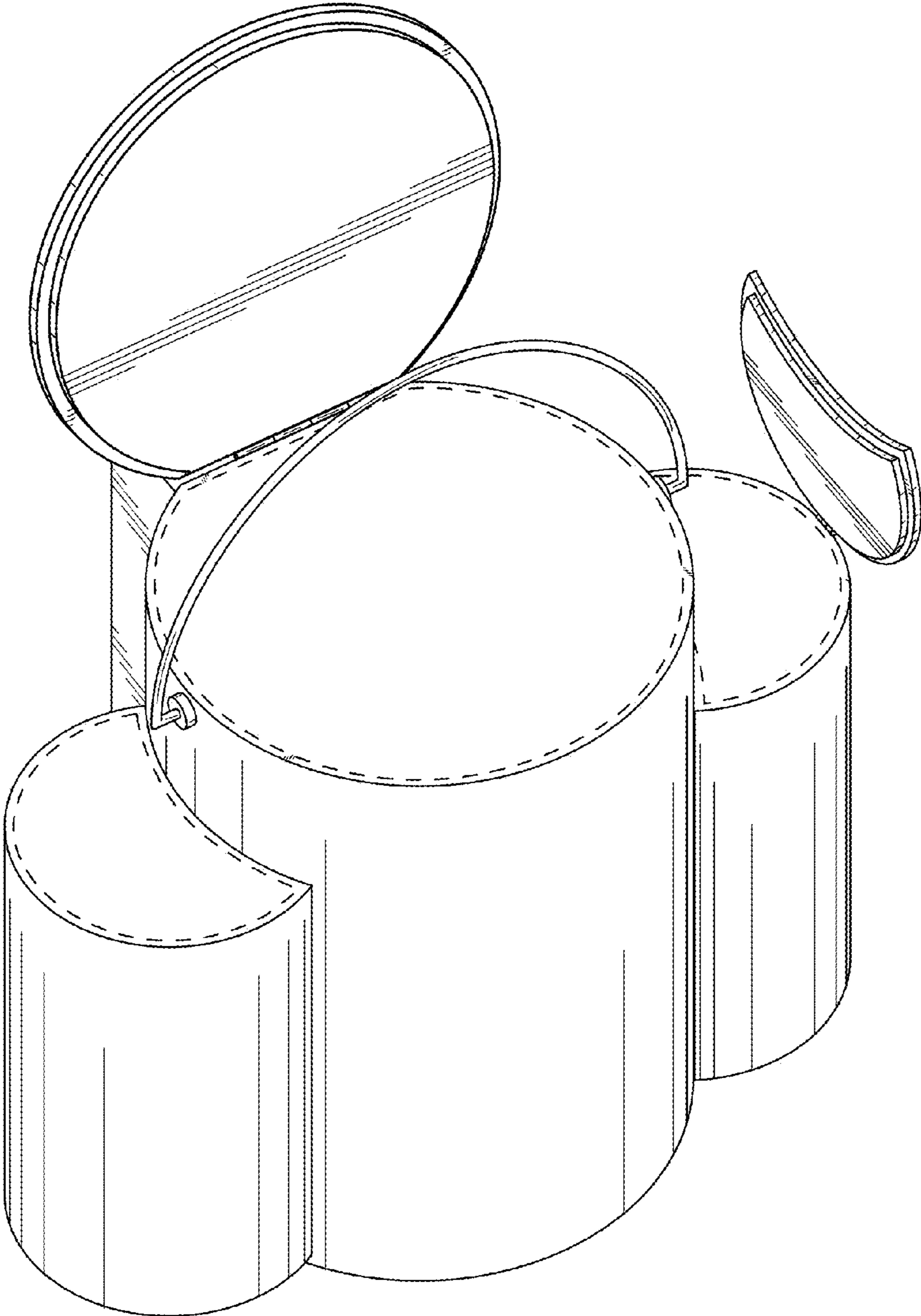


Fig. 11