



US00D711645S

(12) **United States Design Patent**
van der Lande

(10) **Patent No.:** **US D711,645 S**

(45) **Date of Patent:** **** Aug. 26, 2014**

(54) **OWL CONTACT LENS CASE**

(75) Inventor: **Jan van der Lande**, New York, NY (US)

(73) Assignee: **Kikkerland Design, Inc.**, New York, NY (US)

(**) Term: **14 Years**

(21) Appl. No.: **29/425,649**

(22) Filed: **Jun. 26, 2012**

(51) **LOC (10) Cl.** **03-01**

(52) **U.S. Cl.**
USPC **D3/264**

(58) **Field of Classification Search**
USPC D3/219, 252, 263, 264, 265; 206/5, 5.1,
206/6

See application file for complete search history.

(56) **References Cited**

U.S. PATENT DOCUMENTS

D208,166	S *	7/1967	Hueber	D3/264
D332,525	S *	1/1993	Ogata	D3/265
D379,871	S *	6/1997	Hollinger	D3/266
D403,505	S *	1/1999	Clark	D3/265
6,868,963	B2 *	3/2005	Borovsky	206/5.1
D551,448	S *	9/2007	Stull	D3/264
D566,388	S *	4/2008	Nevins	D3/264
D575,955	S *	9/2008	Maraia et al.	D3/264
7,832,551	B2 *	11/2010	Newman et al.	206/5.1

D655,632	S *	3/2012	van der Lande	D10/40
D671,822	S *	12/2012	van der Lande	D8/395
D674,635	S *	1/2013	van der Lande	D6/534
2004/0140229	A1 *	7/2004	Borovsky	206/5.1
2012/0193245	A1 *	8/2012	Wright	206/5.1

* cited by examiner

Primary Examiner — T. Chase Nelson

(74) *Attorney, Agent, or Firm* — Cascio & Zervas

(57) **CLAIM**

The ornamental design for an owl contact lens case, as shown and described.

DESCRIPTION

FIG. 1 is a top plan view of an owl contact lens case of my design;

FIG. 2 is a bottom plan view thereof;

FIG. 3 is a front elevational view thereof;

FIG. 4 is a rear elevational view thereof;

FIG. 5 is a right side elevational view thereof;

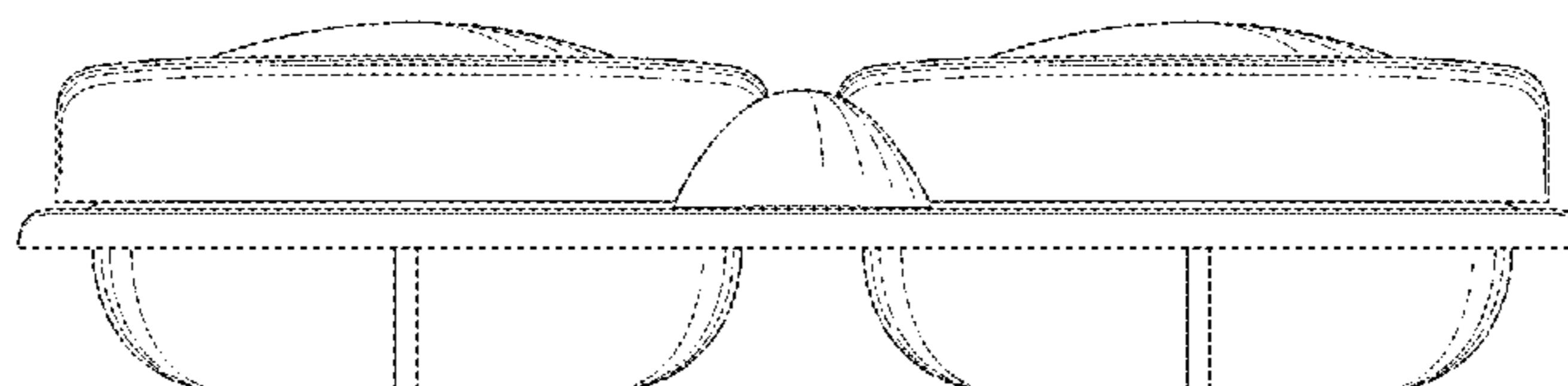
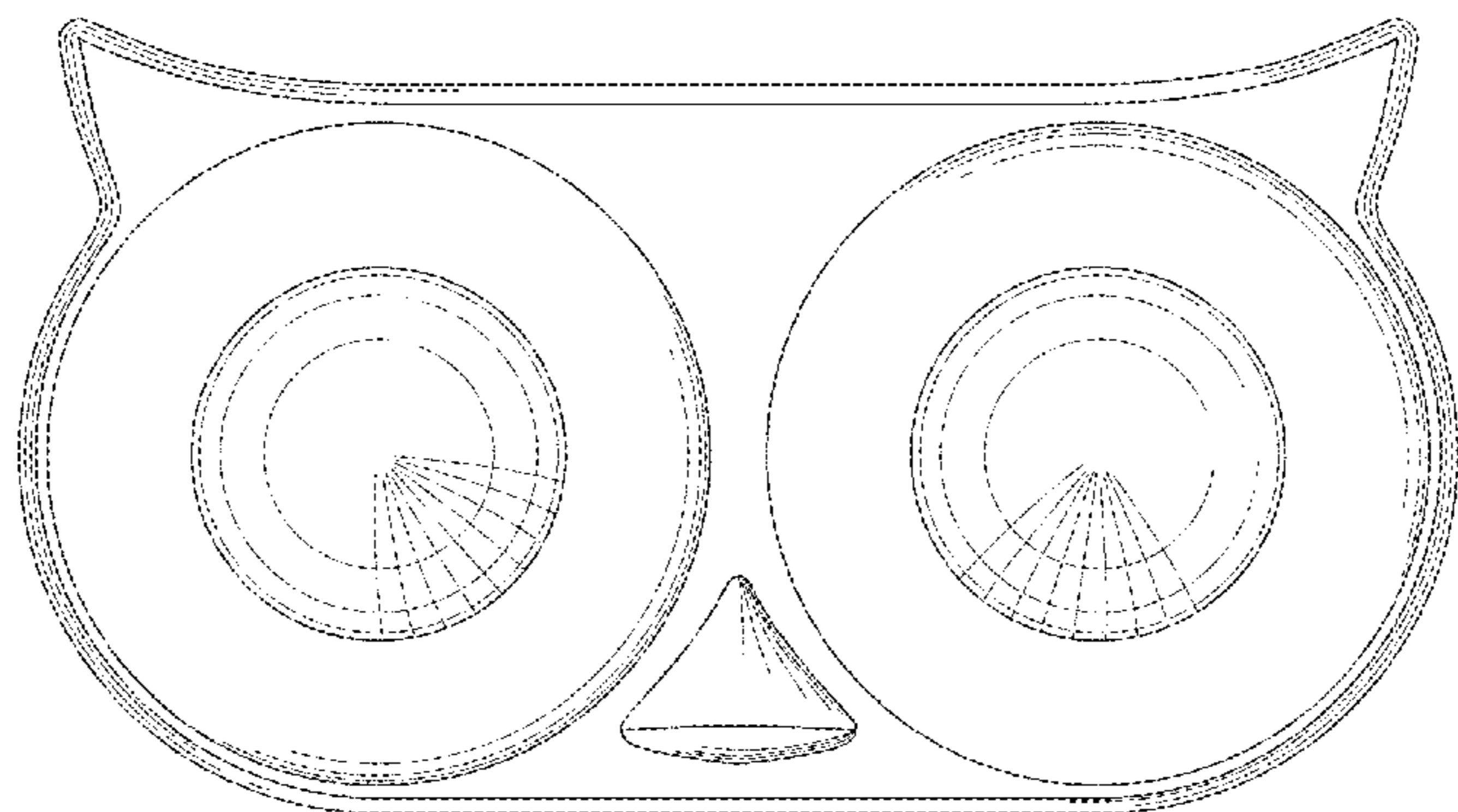
FIG. 6 is a left side elevational view thereof;

FIG. 7 is a perspective view thereof; and,

FIG. 8 is a perspective view thereof with the lens covers removed.

The broken lines in the FIG. 8 marking the left and right lens reservoirs are for illustration purposes only and form no part of the claimed design.

1 Claim, 3 Drawing Sheets



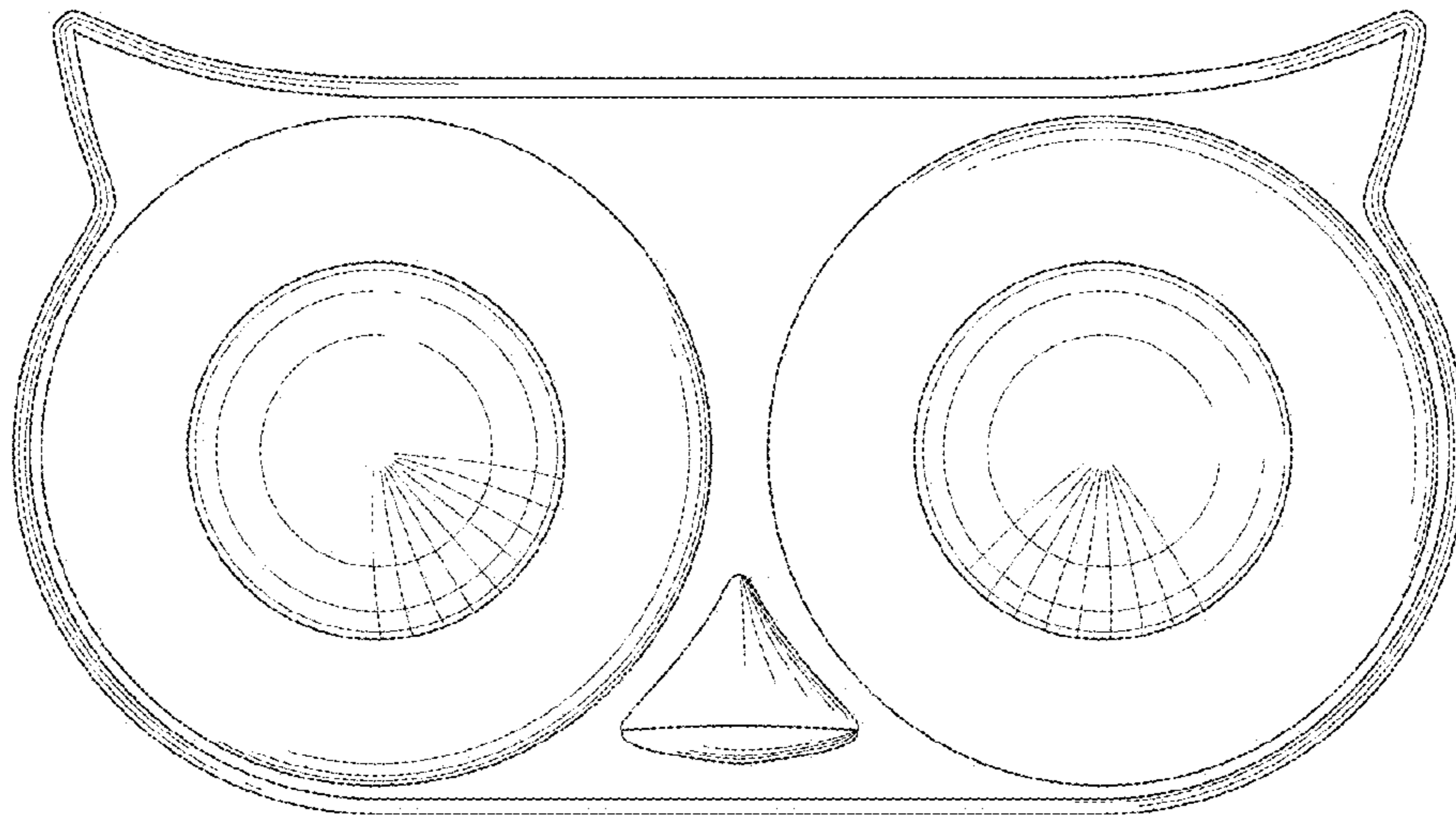


FIG. 1

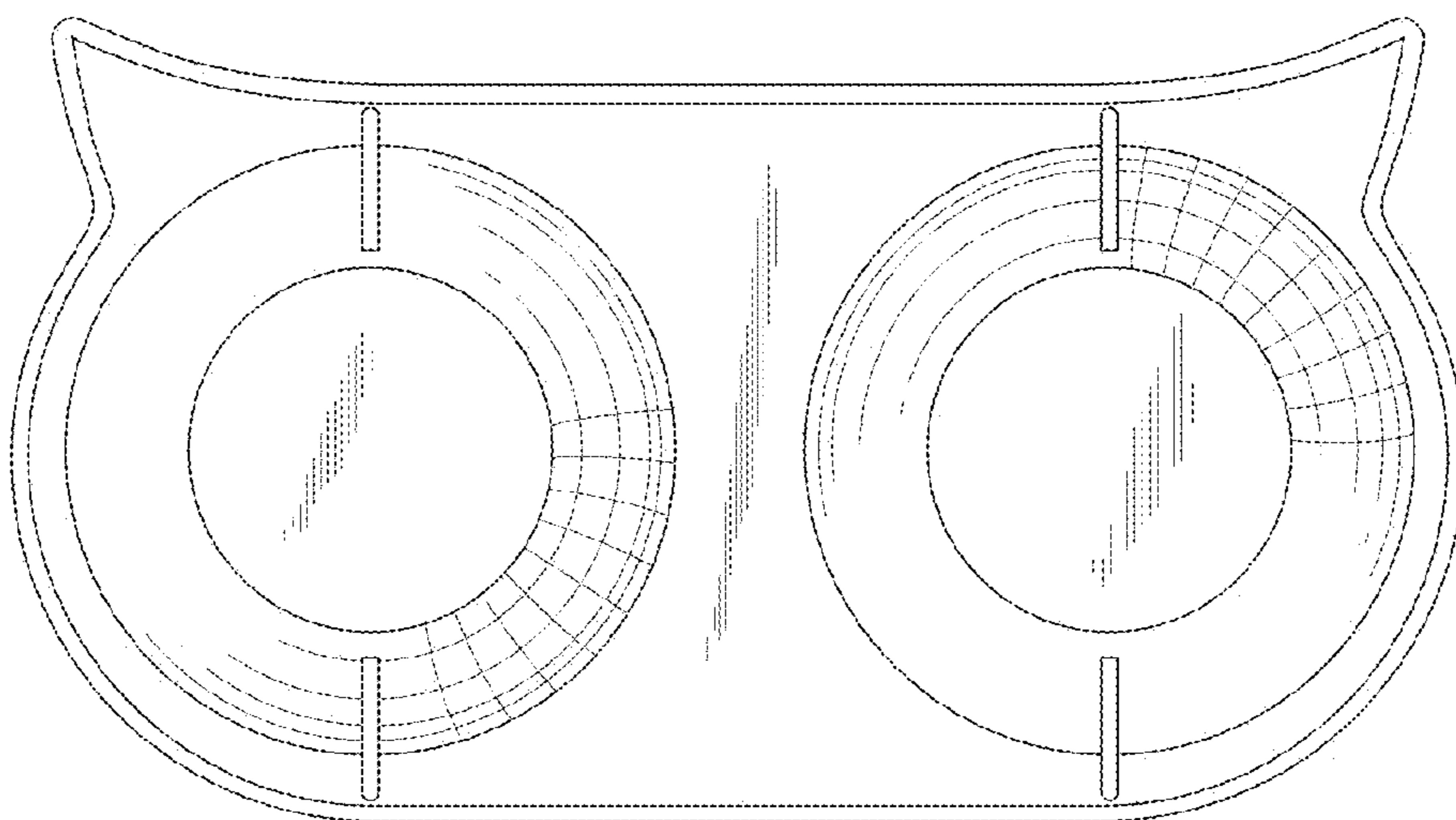


FIG. 2

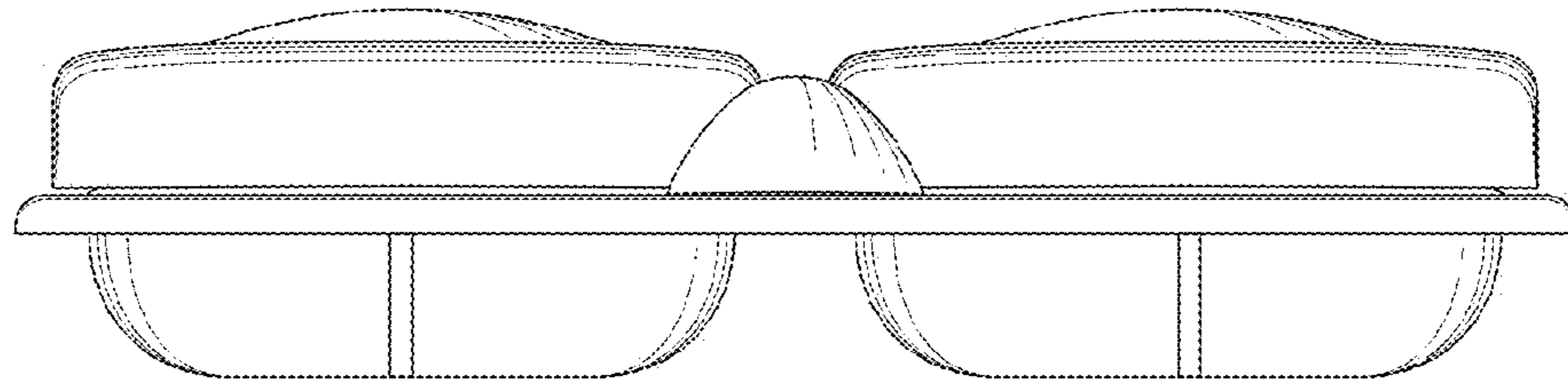


FIG. 3

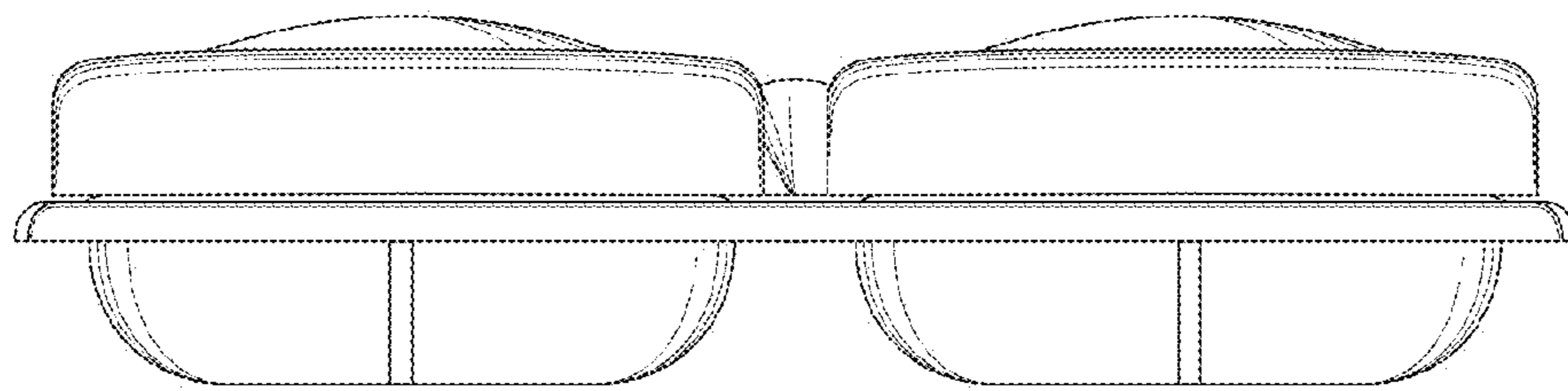


FIG. 4

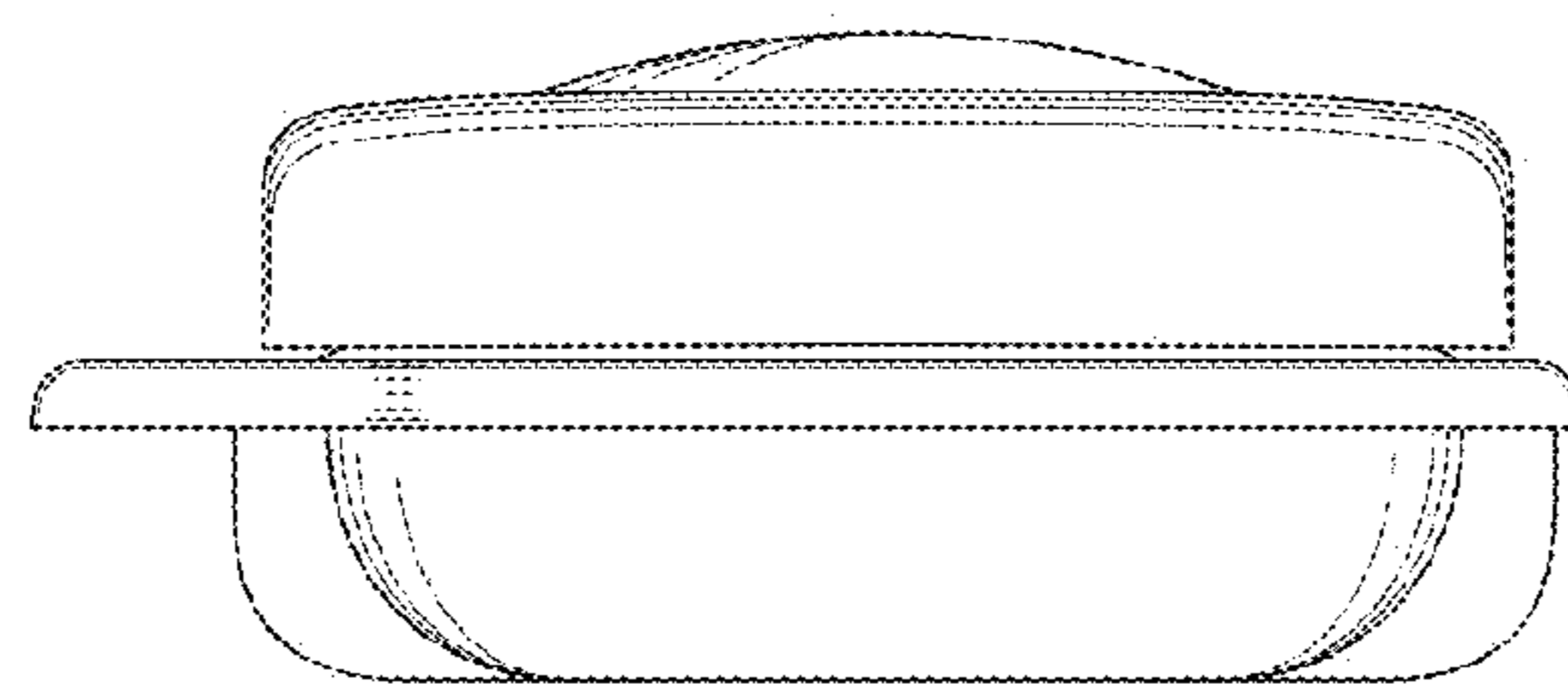


FIG. 5

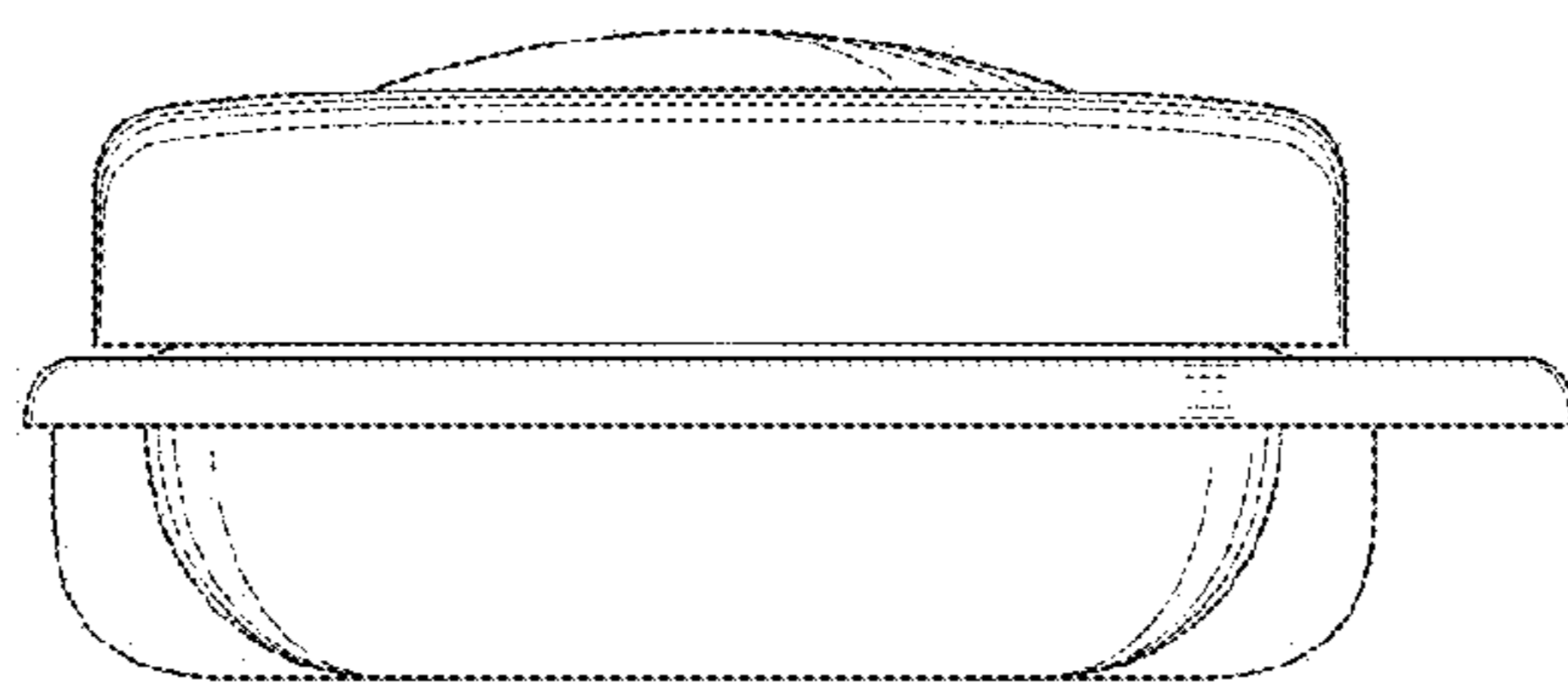


FIG. 6

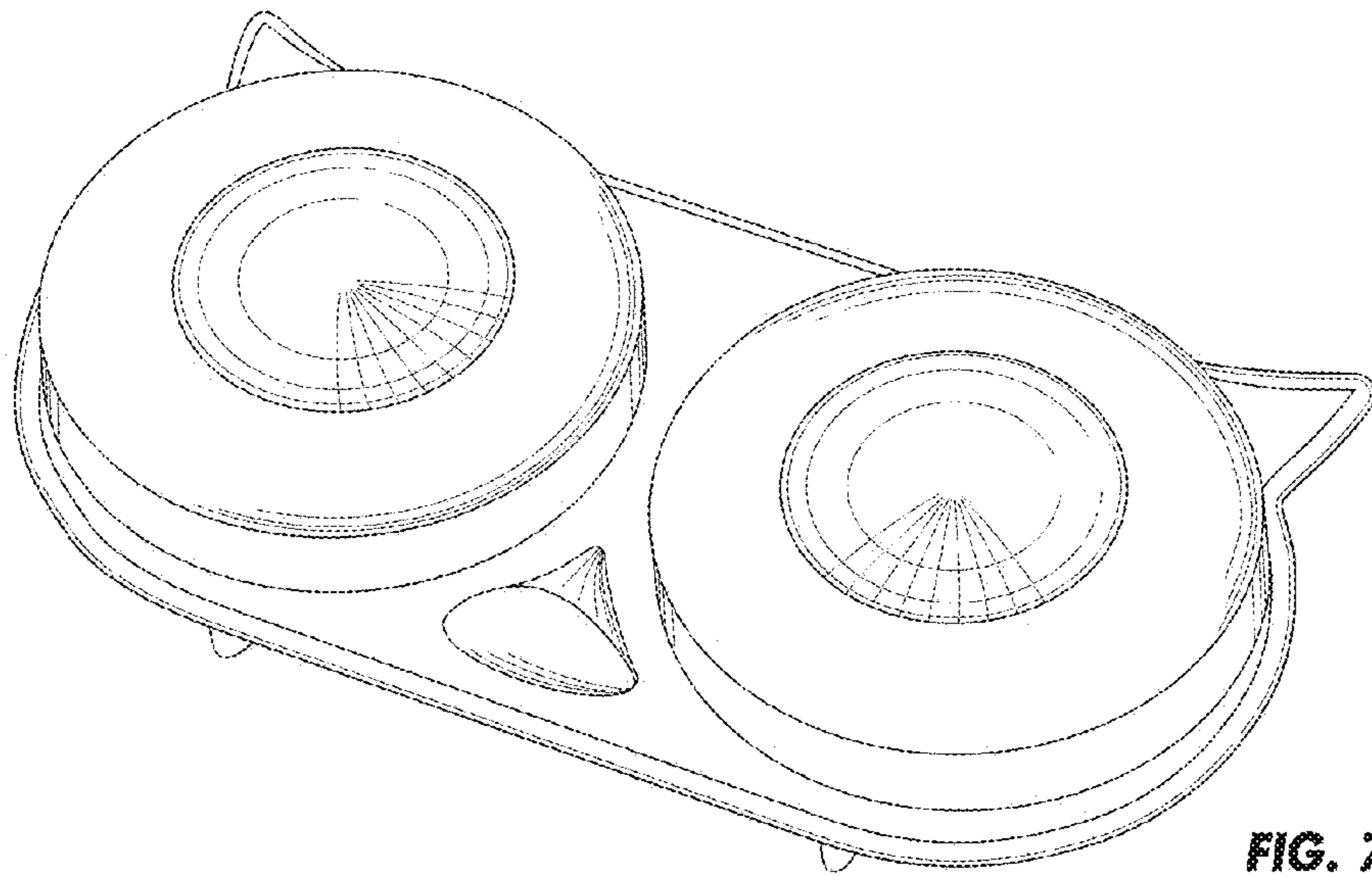


FIG. 7

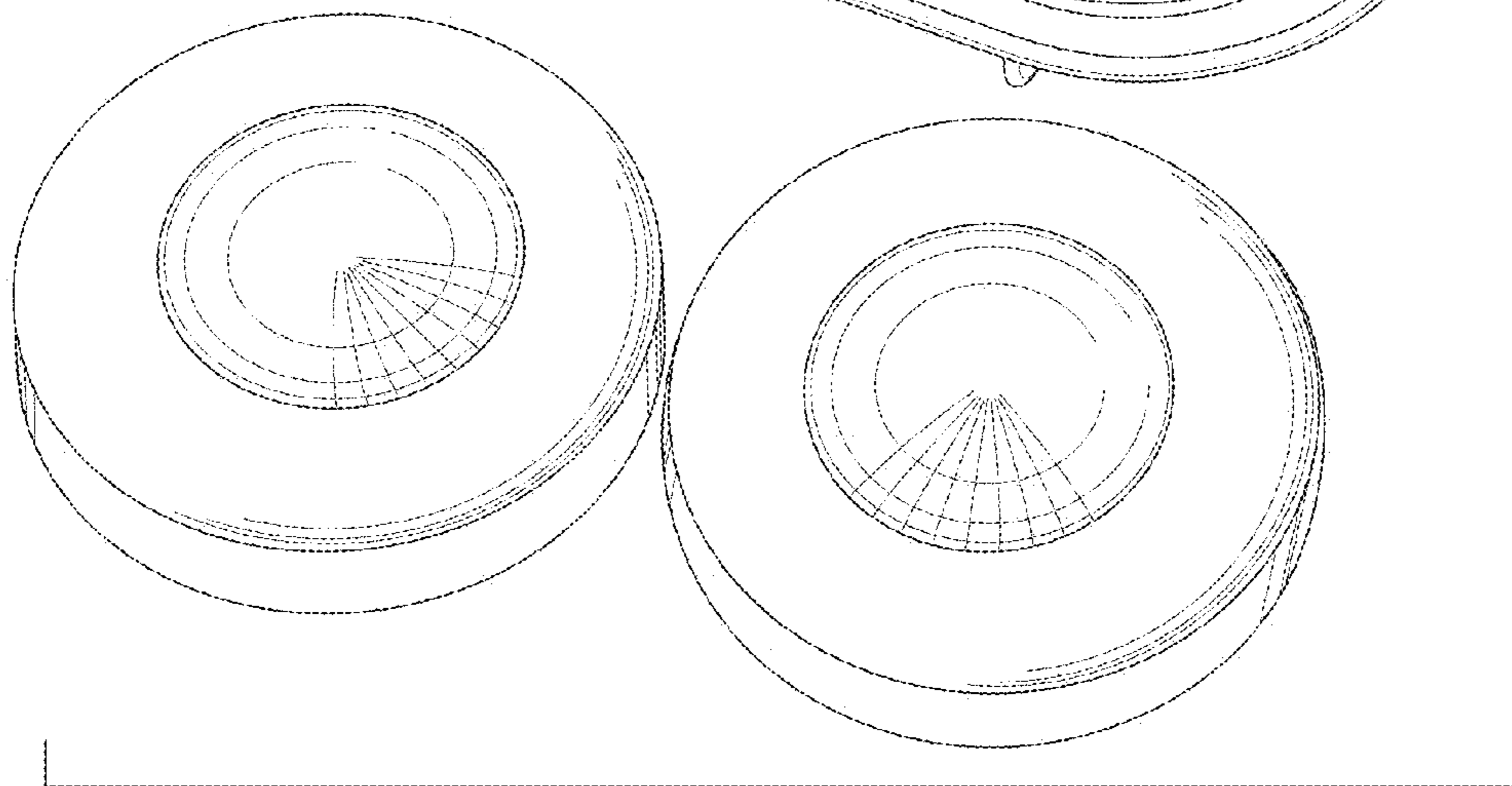
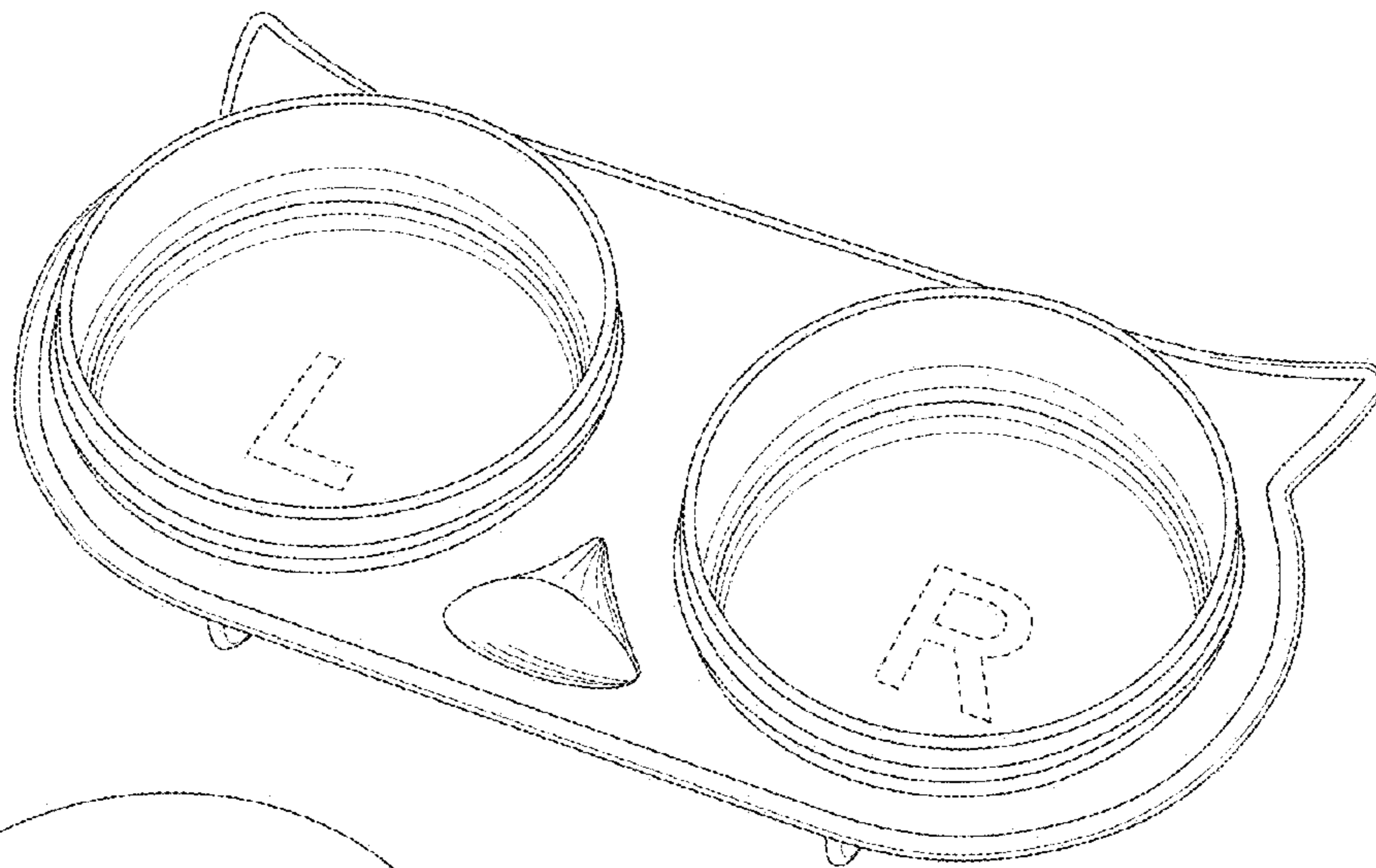


FIG. 8